

# PARTS MANUAL



## **MODELS** **MQD2H** **MQD3H** **DIAPHRAGM PUMP** **(HONDA GX120K1QX2 GASOLINE ENGINE)**

Revision #9 (08/16/21)

To find the latest revision of this publication or associated operation manual, visit our website at: [www.multiquip.com](http://www.multiquip.com)



**THIS MANUAL MUST ACCOMPANY THE EQUIPMENT AT ALL TIMES.**

## **MQD2H/MQD3H Diaphragm Pumps**

Table Of Contents.....	2
Explanation Of Code In Remarks Column.....	4
Suggested Spare Parts .....	5

### **Component Drawings**

Nameplate And Decals Assembly .....	6-7
Waterbox And Flap Valve Assembly .....	8-9
Pump Assembly.....	10-13
Handle, Engine And Wheel Assembly .....	14-15

#### **NOTICE**

Part numbers are subject to change without notice.



# EXPLANATION OF CODE IN REMARKS COLUMN

The following section explains the different symbols and remarks used in the Parts section of this manual. Use the help numbers found on the back page of the manual if there are any questions.

## NOTICE

The contents and part numbers listed in the parts section are subject to change **without notice**. Multiquip does not guarantee the availability of the parts listed.

## SAMPLE PARTS LIST

NO.	PART NO.	PART NAME	QTY.	REMARKS
1	12345	BOLT .....	1	INCLUDES ITEMS W/%
2%		WASHER, 1/4 IN. ....		NOT SOLD SEPARATELY
2%	12347	WASHER, 3/8 IN. ...	1	MQ-45T ONLY
3	12348	HOSE .....	A/R	MAKE LOCALLY
4	12349	BEARING .....	1	S/N 2345B AND ABOVE

## NO. Column

**Unique Symbols** — All items with same unique symbol (@, #, +, %, or >) in the number column belong to the same assembly or kit, which is indicated by a note in the “Remarks” column.

**Duplicate Item Numbers** — Duplicate numbers indicate multiple part numbers, which are in effect for the same general item, such as different size saw blade guards in use or a part that has been updated on newer versions of the same machine.

## NOTICE

When ordering a part that has more than one item number listed, check the remarks column for help in determining the proper part to order.

## PART NO. Column

**Numbers Used** — Part numbers can be indicated by a number, a blank entry, or TBD.

TBD (To Be Determined) is generally used to show a part that has not been assigned a formal part number at the time of publication.

A blank entry generally indicates that the item is not sold separately or is not sold by Multiquip. Other entries will be clarified in the “Remarks” Column.

## QTY. Column

**Numbers Used** — Item quantity can be indicated by a number, a blank entry, or A/R.

A/R (As Required) is generally used for hoses or other parts that are sold in bulk and cut to length.

A blank entry generally indicates that the item is not sold separately. Other entries will be clarified in the “Remarks” Column.

## REMARKS Column

Some of the most common notes found in the “Remarks” Column are listed below. Other additional notes needed to describe the item can also be shown.

**Assembly/Kit** — All items on the parts list with the same unique symbol will be included when this item is purchased.

Indicated by:

“INCLUDES ITEMS W/(unique symbol)”

**Serial Number Break** — Used to list an effective serial number range where a particular part is used.

Indicated by:

“S/N XXXXX AND BELOW”

“S/N XXXX AND ABOVE”

“S/N XXXX TO S/N XXX”

**Specific Model Number Use** — Indicates that the part is used only with the specific model number or model number variant listed. It can also be used to show a part is NOT used on a specific model or model number variant.

Indicated by:

“XXXXX ONLY”

“NOT USED ON XXXX”

**“Make/Obtain Locally”** — Indicates that the part can be purchased at any hardware shop or made out of available items. Examples include battery cables, shims, and certain washers and nuts.

**“Not Sold Separately”** — Indicates that an item cannot be purchased as a separate item and is either part of an assembly/kit that can be purchased, or is not available for sale through Multiquip.

## SUGGESTED SPARE PARTS

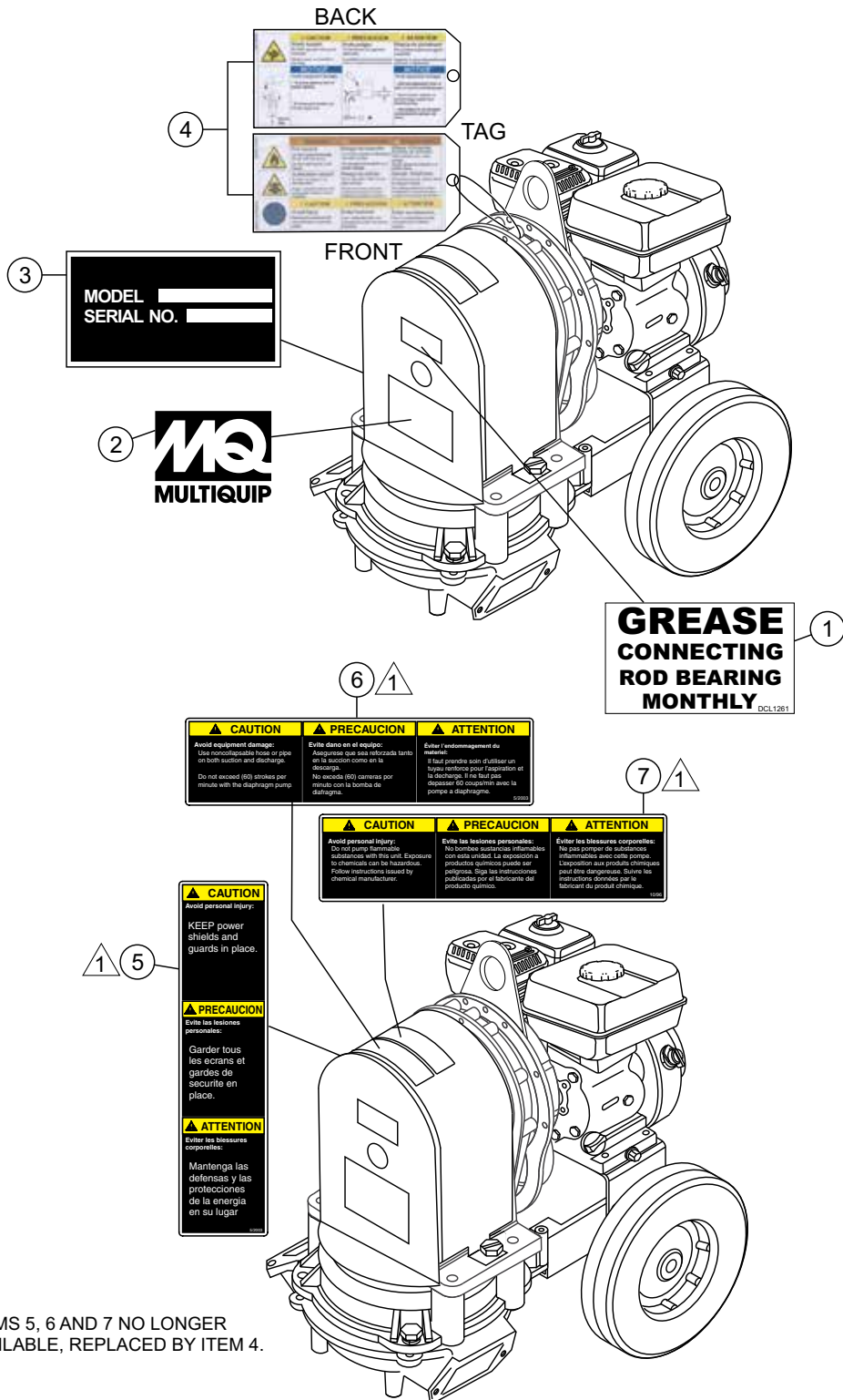
---

### MQD2H/3H DIAPHRAGM PUMP WITH HONDA GX120K1QX2 ENGINE

1 to 5 units

Qty.	P/N	Description
3.....	17210ZE0505 .....	ELEMENT AIR CLEANER DUAL
3.....	9807955846.....	SPARK PLUG
1.....	17620ZH7023.....	CAP, FUEL WITH GASKET
1.....	28462ZH8003.....	ROPE STARTER
1.....	336030000.....	DIAPHRAGM 2-INCH
1.....	213200000.....	DIAPHRAGM 3-INCH
2.....	336007090.....	FLAP VALVE 2-INCH
2.....	335407090.....	FLAP VALVE 3-INCH
1.....	212400000.....	PLUG, 2 & 3-INCH FILL
1.....	212500000.....	PRIMING PLUG GASKET, 2 & 3-INCH
1.....	C23017000.....	STRAINER 2-INCH
1.....	168000000.....	STRAINER 3-INCH

# NAMEPLATE AND DECALS ASSY.

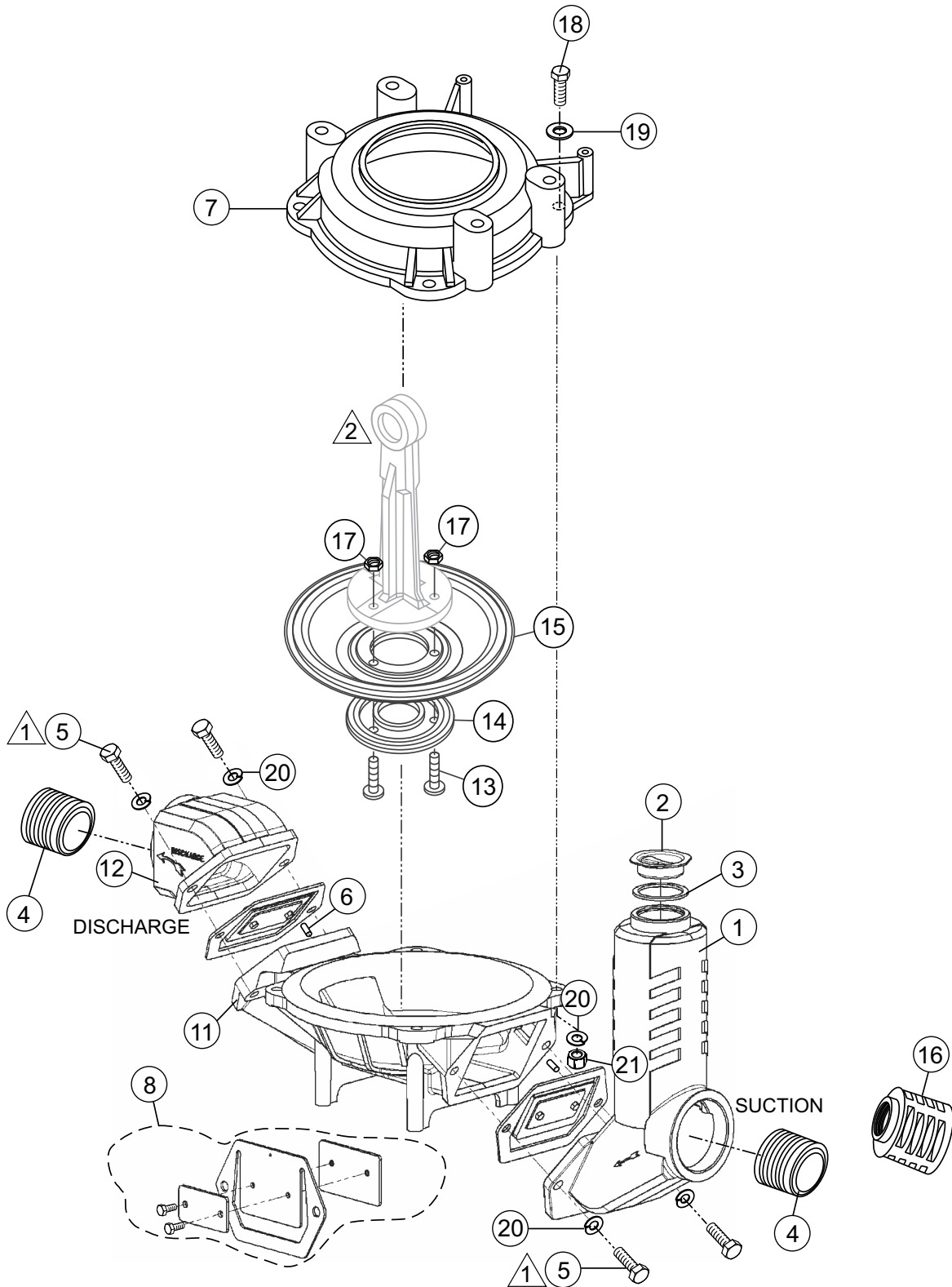


## NAMEPLATE AND DECALS ASSY.

---

<u>NO.</u>	<u>PART NO.</u>	<u>PART NAME</u>	<u>QTY.</u>	<u>REMARKS</u>
1	DCL1261	DECAL, GREASE MONTHLY	1	
2	512910	DECAL, MQ LOGO	1	
3		DECAL, NAMEPLATE .....	1.....	CONTACT MQ PARTS DEPT.
4	335925190	DECAL, CAUTION, KIT	1	
5	205901900	DECAL, CAUTION, KEEP GUARDS IN PLACE .....	1.....	NO LONGER AVAILABLE
6	205901900	DECAL, CAUTION, KEEP AVOID EQUIPMENT DAMAGE .....	1.....	NO LONGER AVAILABLE
7	205901900	DECAL, CAUTION, KEEP AVOID PERSONAL INJURY.....	1.....	NO LONGER AVAILABLE

# WATERBOX AND FLAP VALVE ASSY.

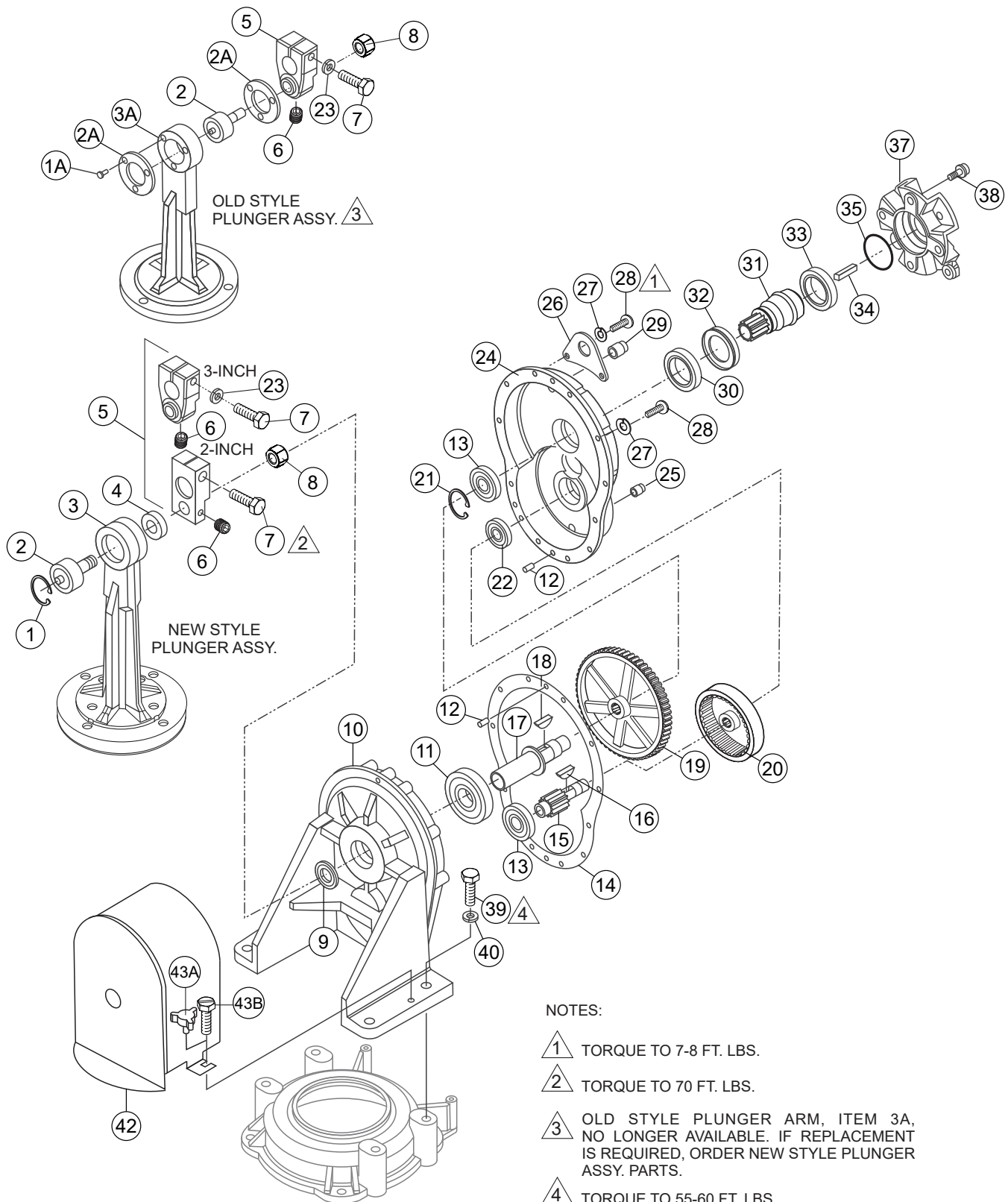




## WATERBOX AND FLAP VALVE ASSY.

<u>NO.</u>	<u>PART NO.</u>	<u>PART NAME</u>	<u>QTY.</u>	<u>REMARKS</u>
1	336005001	SUCTION PRIMING CHAMBER.....	1	2-INCH PUMP ONLY
1	212300001	SUCTION PRIMING CHAMBER.....	1	3-INCH PUMP ONLY
2	212400000	FILL CAP	1	
3	212500000	PRIMING PLUG GASKET	1	
4	316017000	NPT PIPE NIPPLES (PACK OF TWO).....	1	2-INCH PUMP ONLY
4	327017000	NPT PIPE NIPPLES (PACK OF TWO).....	1	3-INCH PUMP ONLY
5	175900100	HEX FLANGE SCREW, 3/8"-16 X 1-1/2" GRD. 5.....	2	2-INCH PUMP ONLY
5	176601300	HEX FLANGE SCREW, 1/2"-13 X 1-1/2" GRD. 5.....	2	2-INCH PUMP ONLY
5	176601300	HEX FLANGE SCREW, 1/2"-13 X 1-1/2" GRD. 5.....	2	3-INCH PUMP ONLY
6	212100000	RETAINER PIN 1/8" X 3/8"	2	
7	336002001	PUMP BASE.....	1	2-INCH PUMP ONLY
7	335400101	PUMP BASE.....	1	3-INCH PUMP ONLY
8	336007090	FLAPPER VALVE ASSY.....	2	2-INCH PUMP ONLY
8	335407090	FLAPPER VALVE ASSY.....	2	3-INCH PUMP ONLY
11	336000101	PUMP WELL .....	1	2-INCH PUMP ONLY
11	212000001	PUMP WELL .....	1	3-INCH PUMP ONLY
12	336005201	DISCHARGE PLATE .....	1	2-INCH PUMP ONLY
12	213100001	DISCHARGE PLATE .....	1	3-INCH PUMP ONLY
13	176001100	CARRIAGE BOLT 3/8"-16 X 2-1/4" .....	3	2-INCH PUMP ONLY
13	176601500	CARRIAGE BOLT 1/2"-13 X 2" .....	3	3-INCH PUMP ONLY
14	336009200	DIAPHRAGM RETAINER PLATE .....	1	2-INCH PUMP ONLY
14	213300000	DIAPHRAGM RETAINER PLATE .....	1	3-INCH PUMP ONLY
15	336030000	DIAPHRAGM.....	1	2-INCH PUMP ONLY
15	213200000	DIAPHRAGM.....	1	3-INCH PUMP ONLY
16	C23017000	NPT STRAINER 3/8" HOLES.....	1	2-INCH PUMP ONLY
16	168000000	NPT STRAINER 3/8" HOLES.....	1	3-INCH PUMP ONLY
17	178000000	NUT, HEX 3/8"-16.....	4	2-INCH PUMP ONLY
17	178200100	NUT, HEX 1/2"-13.....	4	3-INCH PUMP ONLY
18	176601600	BOLT 1/2"-13 X 2-1/4" .....	4	2-INCH PUMP ONLY
18	176601600	BOLT 1/2"-13 X 2-1/4" .....	2	3-INCH PUMP ONLY
19	179800200	FLAT WASHER 1/2" .....	4	2-INCH PUMP ONLY
19	179800200	FLAT WASHER 1/2" .....	2	3-INCH PUMP ONLY
20	179800100	SPLIT LOCKWASHER 1/2" .....	8	2-INCH PUMP ONLY
20	179800100	SPLIT LOCKWASHER 1/2" .....	6	3-INCH PUMP ONLY
20	179300100	SPLIT LOCKWASHER 3/8"	8	
21	178200100	NUT, HEX 1/2"-13.....	4	2-INCH PUMP ONLY
21	178200100	NUT, HEX 1/2"-13 .....	7	3-INCH PUMP ONLY

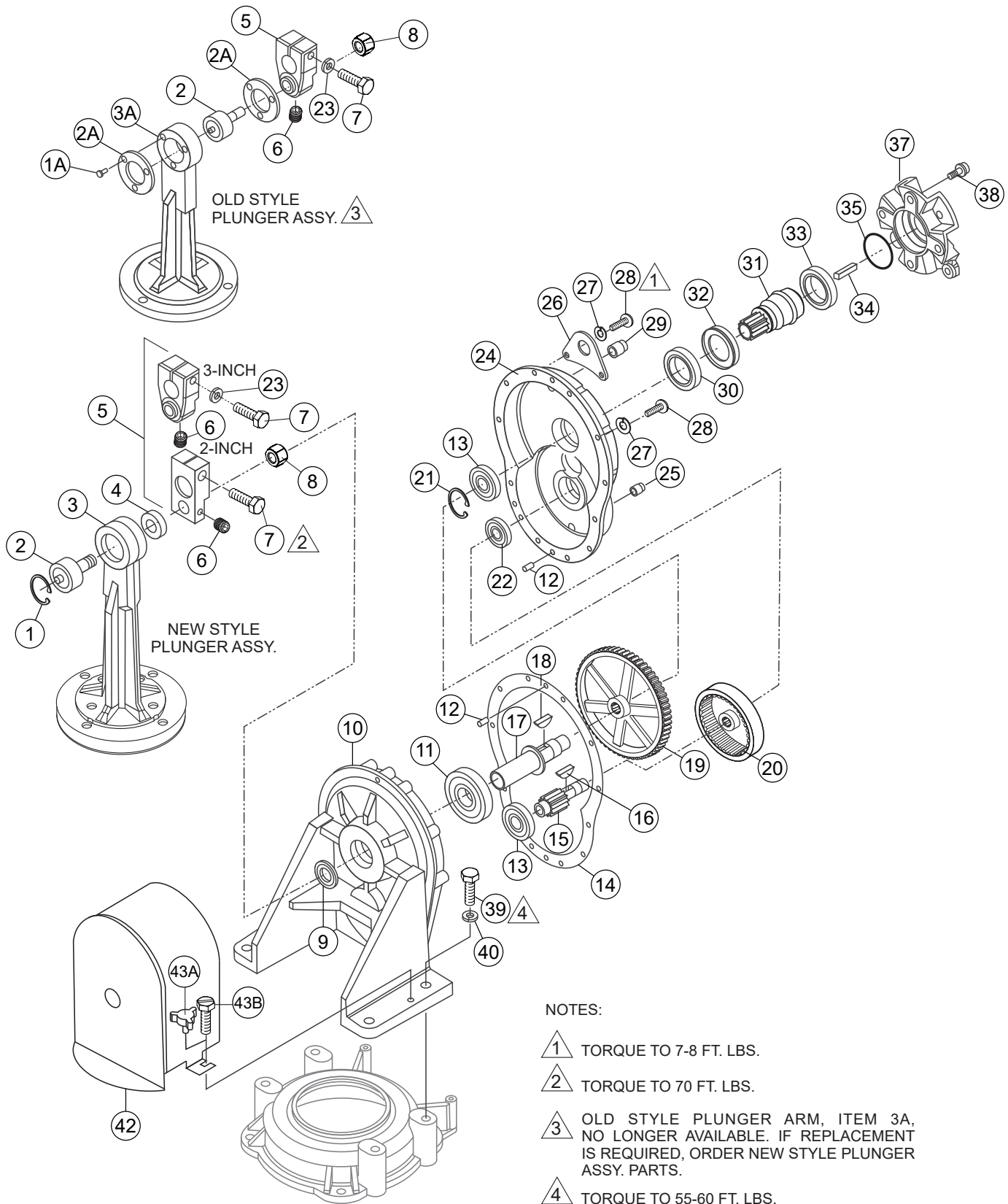
# PUMP ASSY.



# PUMP ASSY.

<u>NO.</u>	<u>PART NO.</u>	<u>PART NAME</u>	<u>QTY.</u>	<u>REMARKS</u>
1	336019100	INTERNAL RETAINING RING 1-1/2" .....	1	2-INCH ONLY
1	335019000	INTERNAL RETAINING RING .....	1	3-INCH ONLY
1A	170400200	FLAT HD MACH SCREW #10-32 X 1/2" .....	6	3-INCH ONLY
				OLD STYLE PLUNGER
2	336019000	PLUNGER BEARING.....	1	2-INCH ONLY
2	213800090	PLUNGER BEARING.....	1	3-INCH ONLY
				REPLACES P/N 213800000
2A	213600000	BEARING RETAINER .....	2	3-INCH ONLY
3A		PLUNGER ARM.....	1	3-INCH ONLY
				OLD STYLE PLUNGER
				NO LONGER AVAILABLE
3	336009001	PLUNGER ARM.....	1	2-INCH ONLY
3	213400001	PLUNGER ARM.....	1	3-INCH ONLY
				NEW STYLE PLUNGER
4	180103000	SPACER 5/8" X 1-1/16" .....	1	2-INCH ONLY
5	336009401	CRANK.....	1	2-INCH ONLY
5	214000001	CRANK.....	1	3-INCH ONLY
6	173800100	SOCKET SET SCREW 5/16"-18 X 1/2"	1	
7	176601800	BOLT, 1/2"-13 X 2-3/4"	1	
8	178401000	LOCKNUT 3/4" -16	1	
9	214800000	OIL SEAL 1-1/4" X 1-3/4" X 1/4"	1	
10	335409001	GEAR BOX OUTPUT HALF	1	
11	335419000	OUTPUT BALL BEARING #6307	1	
12	171700200	DOWEL PIN, 1/4" X 3/4"	2	
13	335419100	INTERMED. BALL BEARING #6304	2	
14	335430000	GASKET	1	
15	335412100	IDLER PINION SHAFT	1	
16	215700000	WOODRUFF KEY #406 1/8" X 3/4"	1	
17	335414001	OUTPUT SHAFT .....	1	2-INCH ONLY
17	335414000	OUTPUT SHAFT .....	1	3-INCH ONLY
18	214100000	WOODRUFF KEY #1008 5/16" X 1"	1	
19	335412000	OUTPUT GEAR	1	
20	214900000	INTERNAL SPUR GEAR	1	
21	180606400	EXTERNAL RETAINING RING 1-1/8"	1	
22	335419200	IDLER BALL BEARING #6302	1	
23	179800100	SPLIT LOCKWASHER 1/2" .....	1	3-INCH ONLY
24	335409101	GEAR BOX INPUT HALF	1	
25	176700200	NPT PIPE PLUG 1/4"	2	
26	335410600	LIFT BRACKET	1	
27	178800100	WASHER, LOCK 1/4"	12	
28	171800400	BOLT 1/4"-20 X 7/8"	12	
29	176700100	NPT PIPE PLUG 1/2"	1	
30	335419400	INPUT PINION BALL BEARING OPEN #6007	1	
31	335412200	INPUT PINION	1	
32	214800100	OIL SEAL	1	
33	335419300	INPUT PINION BALL BEARING SEALED	1	
34	151700100	KEY 3/16" X 3/16" X 1-1/2"	1	
35	218100500	OIL SEAL	1	

# PUMP ASSY. (CONT'D.)

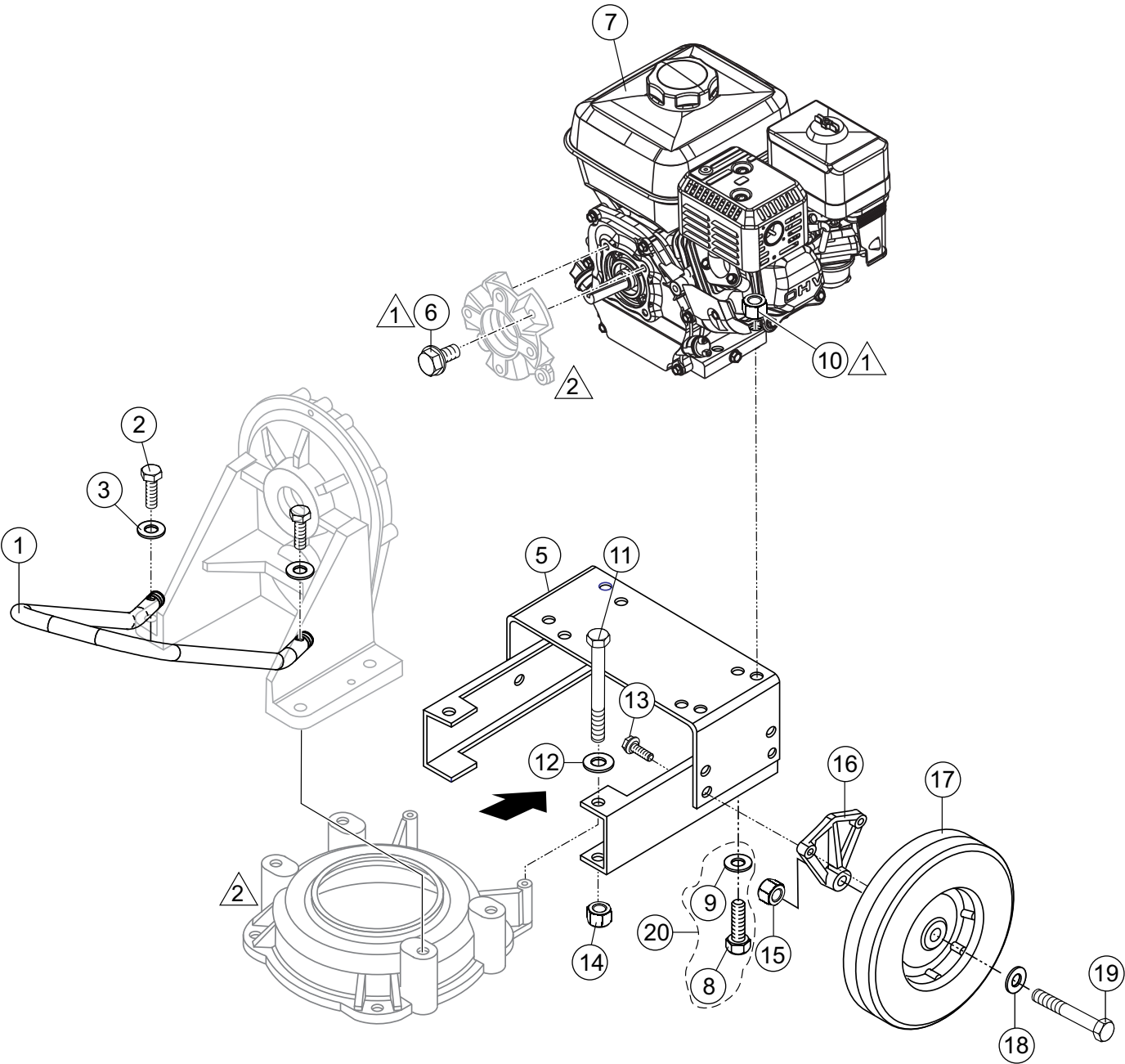


**PUMP ASSY. (CONT'D.)**

---

<u>NO.</u>	<u>PART NO.</u>	<u>PART NAME</u>	<u>QTY.</u>	<u>REMARKS</u>
37	335409301	ADAPTER, GASOLINE ENGINE	1	
38	174500200	FLANGE SCREW, 5/16"-18 X 3/4"	4	
39	176601300	BOLT 1/2"-13 X 1-1/2"	4	
40	179800100	SPLIT LOCKWASHER 1/2"	5	
42	335410300	PLUNGER GUARD	1	
43A	171601000	KNOB 1/4"-20 X 1/2" .....	2	NO LONGER AVAILABLE
43B	171201000	SLOTTED SCREW 1/4"-20 X 5/16"	2	

# HANDLE, ENGINE AND WHEEL ASSY.



- NOTES:
- ① INCLUDED WITH ITEM 20, ENGINE HARDWARE KIT
  - ② REFERENCE WATERBOX AND FLAP VALVE ASSY., ITEM 7.

## HANDLE, ENGINE AND WHEEL ASSY.

<u>NO.</u>	<u>PART NO.</u>	<u>PART NAME</u>	<u>QTY.</u>	<u>REMARKS</u>
1	335411690	HANDLE .....	1 .....	REPLACES P/N 215200000
2	13178	BOLT 1/2"-13 X 2-1/4" .....	2 .....	REPLACES P/N 176601600
3	0447	FLAT WASHER 1/2" .....	2 .....	REPLACES P/N 179800200
5	335410800	ENGINE MOUNT	1	
6#		BOLT	4	
7	163000700	HONDA GX120K1QX2 GASOLINE ENGINE	1	
8#		BOLT	4	
9#		WASHER	4	
10#		NUT	4	
11	173401300	BOLT 1/4"-20 X 3"	2	
12	178900000	SAE WASHER 1/4"	2	
13	174500200	FLANGE BOLT 5/16-18 X 3/4"	4	
14	176600000	FLANGE NUT 1/4"-20	2	
15	178202000	NUT 5/8"-18	2	
16	335410900	WHEEL BRACKET	2	
17	166300000	WHEEL	2	
18	179900000	WASHER 5/8"	2	
19	176900000	BOLT 5/8"-18 X 4"	2	
20	335A42090	KIT, HARDWARE, GASOLINE ENGINE ADAPTER ..... (PACK OF 4)	1 .....	INCLUDES ITEMS W/#

# PARTS MANUAL

## HERE'S HOW TO GET HELP

PLEASE HAVE THE MODEL AND SERIAL  
NUMBER ON-HAND WHEN CALLING

### UNITED STATES

#### *Multiquip Inc.*

(310) 537- 3700  
6141 Katella Avenue Suite 200  
Cypress, CA 90630  
E-MAIL: [mq@multiquip.com](mailto:mq@multiquip.com)  
WEBSITE: [www.multiquip.com](http://www.multiquip.com)

---

### CANADA

#### *Multiquip*

(450) 625-2244  
4110 Industriel Boul.  
Laval, Quebec, Canada H7L 6V3  
E-MAIL: [infocanada@multiquip.com](mailto:infocanada@multiquip.com)

### UNITED KINGDOM

#### *Multiquip (UK) Limited Head Office*

0161 339 2223  
Unit 2, Northpoint Industrial Estate,  
Globe Lane,  
Dukinfield, Cheshire SK16 4UJ  
E-MAIL: [sales@multiquip.co.uk](mailto:sales@multiquip.co.uk)

© COPYRIGHT 2021, MULTIQUIP INC.

Multiquip Inc, the MQ logo are registered trademarks of Multiquip Inc. and may not be used, reproduced, or altered without written permission. All other trademarks are the property of their respective owners and used with permission.

This manual MUST accompany the equipment at all times. This manual is considered a permanent part of the equipment and should remain with the unit if resold.

The information and specifications included in this publication were in effect at the time of approval for printing. Illustrations, descriptions, references and technical data contained in this manual are for guidance only and may not be considered as binding. Multiquip Inc. reserves the right to discontinue or change specifications, design or the information published in this publication at any time without notice and without incurring any obligations.

