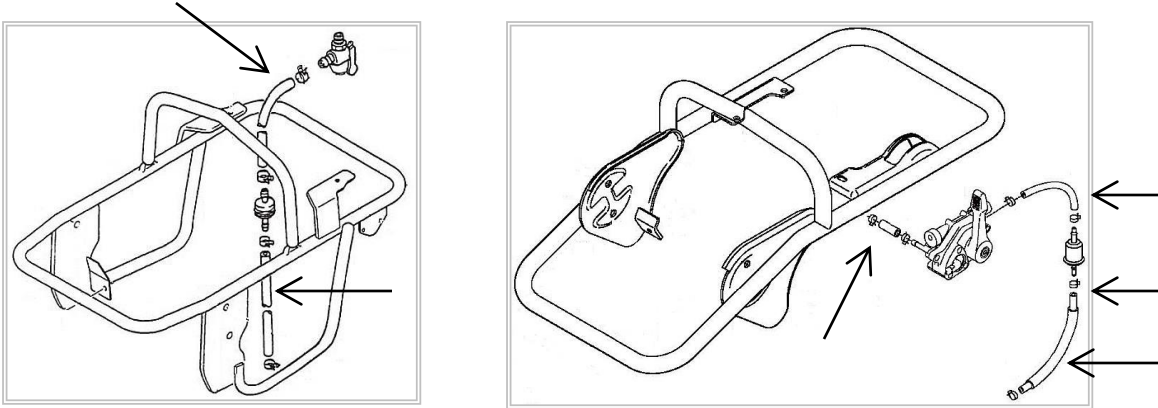




This bulletin is provided for technical reference and service related updates. If you have any questions, comments or do not wish to receive these e-mails, please reply to this e-mail or call the Service Technical Support Group 800 478-1244.

FUEL HOSE CHANGE

The fuel hose has been changed to meet EPA regulations.



The following old part #'s will be discontinued and replaced by EPA approved fuel hose.

Model	Old Part #	Part Name	New Part #
MTR-40F	35146360	Fuel hose	0851041790
MTR-40F	954403030	Hose band	0561080020
MTX-80 ~ 90			
MTX-80 ~ 90	959026122	Fuel hose	0851041780
MTX-80 ~ 90	959026121	Fuel hose	0851041800
MTX-80 ~ 90	959021722	Fuel hose	0851041760
MTX-80 ~ 90	954406420	Hose band	0561080020
MTX-80 ~ 90	954407060	Spiral tube	959021824

Production Serial # Break

MTR-40F.....from S/N... **S - 3130**

MTX-80.....from S/N.... **T - 4165**

MTX-90.....from S/N**S - 1332**

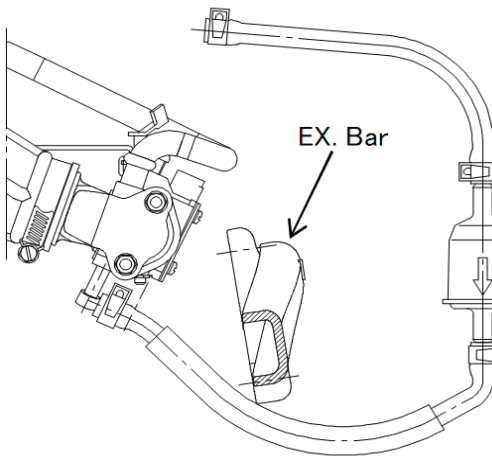
(see pg. 2 for MTX fuel hose routing)



This bulletin is provided for technical reference and service related updates. If you have any questions, comments or do not wish to receive these e-mails, please reply to this e-mail or call the Service Technical Support Group 800 478-1244.

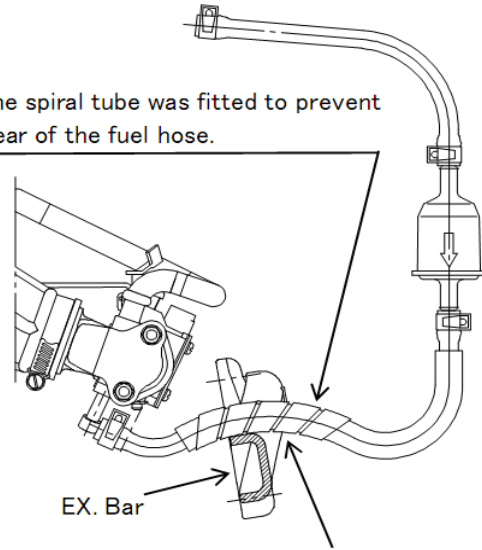
New MTX Hose Routing

Current



New

The spiral tube was fitted to prevent wear of the fuel hose.



Connect this fuel hose through the upper of EX. bar.

