



This bulletin is provided for technical reference and service related updates. If you have any questions, comments or do not wish to receive these e-mails, please reply to this e-mail or call the Service Technical Support Group 800 478-1244.

CARBURETOR CHANGE

The MTX60 and MTX70 rammers have an update to the carburetor. The carburetors now come with an air purge system which will assist units with cold starting as well as fuel delivery.

Production serial number breaks.

<u>Model</u>	<u>Serial Number</u>
MTX60.....	T-3424
MTX70.....	T-3363

- Machines in current stock will be sold with the original supplied carburetor.
- The new carburetor retrofits onto models prior to the change in production.
- A conversion kit is available - see *page 2*

Old Carburetor
Walbro HDA-234A Series
MQ part # 16100Z4ES14



New Carburetor #
Walbro HDA-235A Series
MQ part # 16100Z4ES43





This bulletin is provided for technical reference and service related updates. If you have any questions, comments or do not wish to receive these e-mails, please reply to this e-mail or call the Service Technical Support Group 800 478-1244.

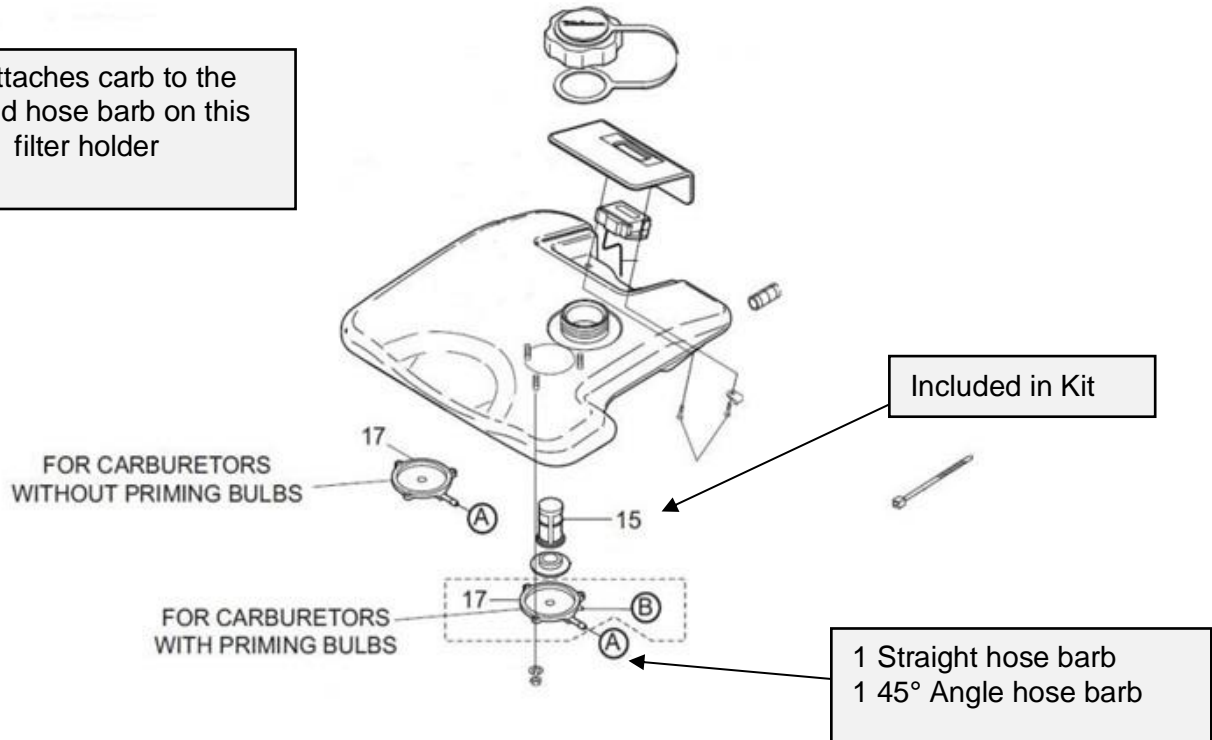
Carburetor Conversion Kit MQ part # 366900060

Kit Includes:

<u>Part#</u>	<u>Description</u>	<u>Quantity</u>
959028301	RETURN HOSE 3X6X600	1
954408170	HOSE CLIP	2
959021814	SPIRAL TUBE 6D-200L	1
366349420	FILTER HOLDER (BULB)	1
954406010	STRAINER	1



Kit attaches carb to the second hose barb on this filter holder



366349420 - HOLDER, FILTER with (2) hose barbs – REF #17 - for carb with purge bulb. Standard part after serial number T-3363

366345280 - HOLDER, FILTER with (1) hose barb – REF #17 – for carb without purge bulb