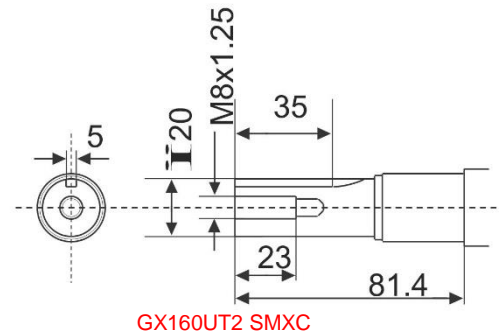


## ENGINE AND CLUTCH COMPONENTS IDENTIFICATION

### MVC-82VH/VHW with Honda GX160UT2-SMXC

#### 20MM Engine Shaft Type

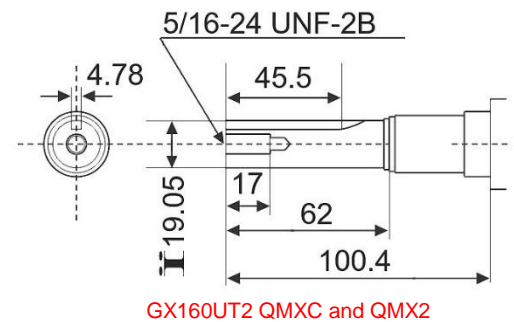
- 912216022 Engine Assembly
- 413332920 Clutch Assembly
- 0053005201 Key 5 X 5 X 20
- 408421270 Clutch Spacer 20.2 X 25 X 9.14



### MVC-88VTH/VTHW with Honda GX160UT2-QMXC

#### 3/4" or 19.05MM Engine Shaft Type

- 912216015 Engine Assembly for SN T2A9197 and Below
- 912216021 Engine Assembly for SN T2A9198 and Above
- 416910100 Clutch Assembly
- 0053005201 Key 4.78 X 4.78 X 38
- 416452809 Clutch Spacer 19.05-25-15.6



### MVC-88GVH/VGHW with Honda GX160UT2-QMX2

#### 3/4" or 19.05MM Engine Shaft Type

- 912216011 Engine Assembly
- 416338990 Clutch Assembly
- 0053005201 Key 4.78 X 4.78 X38
- 416452809 Clutch Spacer 19.05-25-15.6