

PARTS MANUAL



Mikasa **SERIES**
MODEL MVC88GH/GHW
ONE-WAY PLATE COMPACTOR
(HONDA GX160K1QMX2 GASOLINE ENGINE)

Revision #6 (07/22/20)

To find the latest revision of this publication or associated operation manual, visit our website at: www.multiquip.com



THIS MANUAL MUST ACCOMPANY THE EQUIPMENT AT ALL TIMES.

TABLE OF CONTENTS

Multiquip —MVC88GH/GHW Plate Compactor

Table Of Contents	2
Explanation Of Codes In Remarks Column	4
Suggested Spare Parts	5

Component Drawings

Nameplate and Decals	6-7
Body Assembly	8-9
Vibrator Assembly	10-11
Sprinkler Assembly (Option)	12-13
Transport Wheel Assembly (Option)	14-15

NOTICE

Specification and part number are subject to change without notice.

Honda GX160K1QMX2 Engine Drawings

Cylinder Head Assembly	16-17
Cylinder Barrel (Recoil) Assembly	18-19
Crankcase Cover Assembly	20-21
Crankshaft Assembly	22-23
Piston/Rings Assembly	24-25
Camshaft Assembly	26-27
Recoil Starter	28-29
Fan Cover Assembly	30-31
Carburetor Assembly	32-33
Air Cleaner Assembly	34-35
Muffler Assembly	36-37
Fuel Tank Assembly	38-39
Cooling Fan & Flywheel Assembly	40-41
Ignition Coil Assembly	42-43
Control Assembly	44-45
Gasket Assembly	46-47
Labels	48-49

EXPLANATION OF CODE IN REMARKS COLUMN

The following section explains the different symbols and remarks used in the Parts section of this manual. Use the help numbers found on the back page of the manual if there are any questions.

NOTICE

The contents and part numbers listed in the parts section are subject to change **without notice**. Multiquip does not guarantee the availability of the parts listed.

SAMPLE PARTS LIST

NO.	PART NO.	PART NAME	QTY.	REMARKS
1	12345	BOLT.....	1	INCLUDES ITEMS W/%
2%		WASHER, 1/4 IN.....		NOT SOLD SEPARATELY
2%	12347	WASHER, 3/8 IN....	1	MQ-45T ONLY
3	12348	HOSE	A/R	MAKE LOCALLY
4	12349	BEARING	1	S/N 2345B AND ABOVE

NO. Column

Unique Symbols — All items with same unique symbol

(@, #, +, %, or >) in the number column belong to the same assembly or kit, which is indicated by a note in the “Remarks” column.

Duplicate Item Numbers — Duplicate numbers indicate multiple part numbers, which are in effect for the same general item, such as different size saw blade guards in use or a part that has been updated on newer versions of the same machine.

NOTICE

When ordering a part that has more than one item number listed, check the remarks column for help in determining the proper part to order.

PART NO. Column

Numbers Used — Part numbers can be indicated by a number, a blank entry, or TBD.

TBD (To Be Determined) is generally used to show a part that has not been assigned a formal part number at the time of publication.

A blank entry generally indicates that the item is not sold separately or is not sold by Multiquip. Other entries will be clarified in the “Remarks” Column.

QTY. Column

Numbers Used — Item quantity can be indicated by a number, a blank entry, or A/R.

A/R (As Required) is generally used for hoses or other parts that are sold in bulk and cut to length.

A blank entry generally indicates that the item is not sold separately. Other entries will be clarified in the “Remarks” Column.

REMARKS Column

Some of the most common notes found in the “Remarks” Column are listed below. Other additional notes needed to describe the item can also be shown.

Assembly/Kit — All items on the parts list with the same unique symbol will be included when this item is purchased.

Indicated by:

“INCLUDES ITEMS W/(unique symbol)”

Serial Number Break — Used to list an effective serial number range where a particular part is used.

Indicated by:

“S/N XXXXX AND BELOW”

“S/N XXXX AND ABOVE”

“S/N XXXX TO S/N XXX”

Specific Model Number Use — Indicates that the part is used only with the specific model number or model number variant listed. It can also be used to show a part is NOT used on a specific model or model number variant.

Indicated by:

“XXXXX ONLY”

“NOT USED ON XXXX”

“Make/Obtain Locally” — Indicates that the part can be purchased at any hardware shop or made out of available items. Examples include battery cables, shims, and certain washers and nuts.

“Not Sold Separately” — Indicates that an item cannot be purchased as a separate item and is either part of an assembly/kit that can be purchased, or is not available for sale through Multiquip.

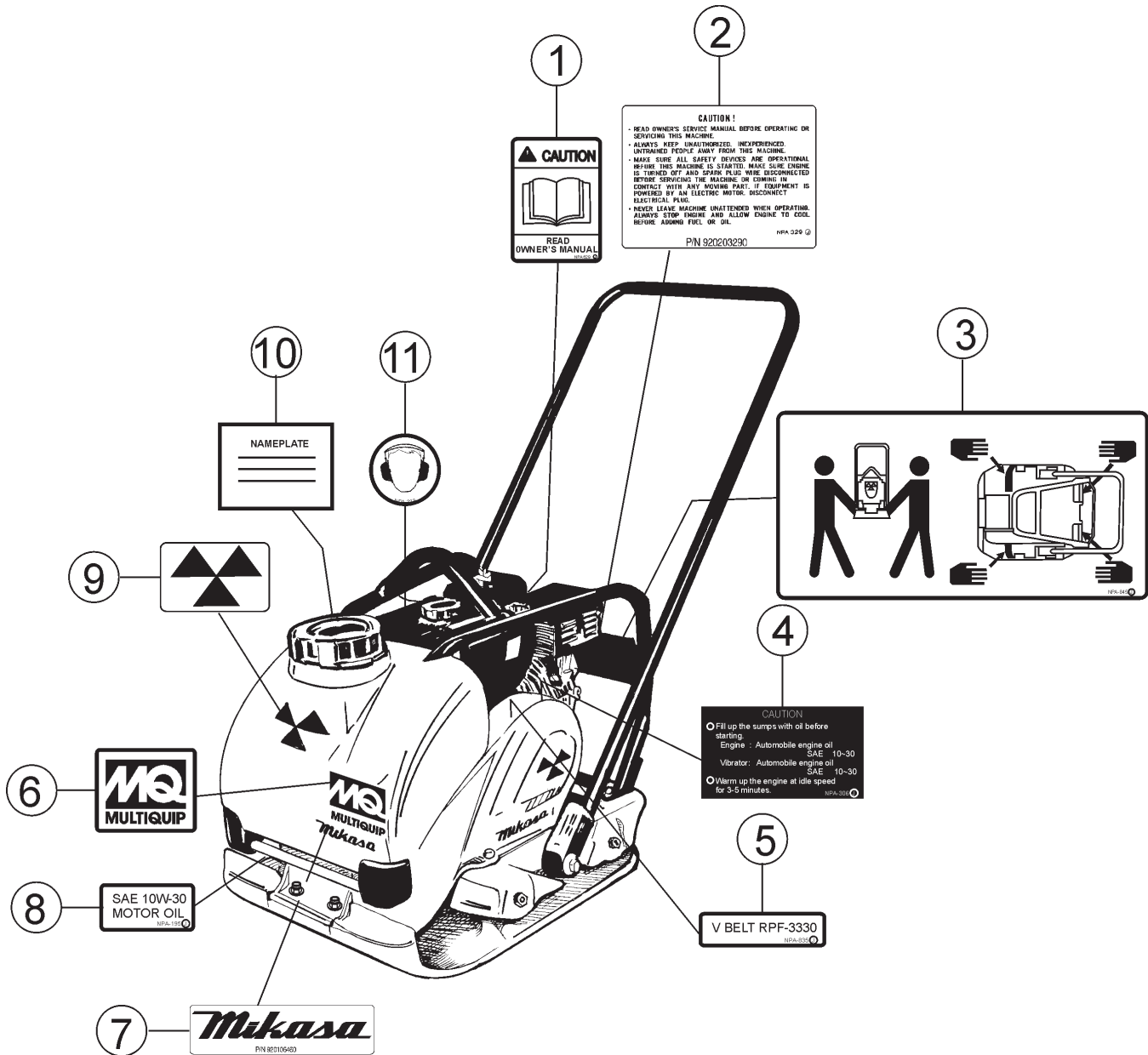
SUGGESTED SPARE PARTS

MVC-88GH/GW 1 TO 5 UNITS WITH HONDA GX160K1QMX2 ENGINE

1 to 5 Units

<u>Qty.</u>	<u>P/N</u>	<u>Description</u>
3	o70100332	V-BELT
1	060403060	OIL SEAL, VIBRATING
2	050101000	O-RING
5	9807956841	SPARK PLUG
1	28462ZH8003 ..	ROPE, RECOIL STARTER
1	36100ZE1015 ..	SWITCH ASSY, ENGINE STOP
5	17210ZE1822 ..	ELEMENT, A/C
1	17620ZH7023 ..	CAP, FUEL TANK
1	17672ZE2W01 .	FUEL FILTER, FUEL TANK
4	939010140	SHOCK ABSORBER

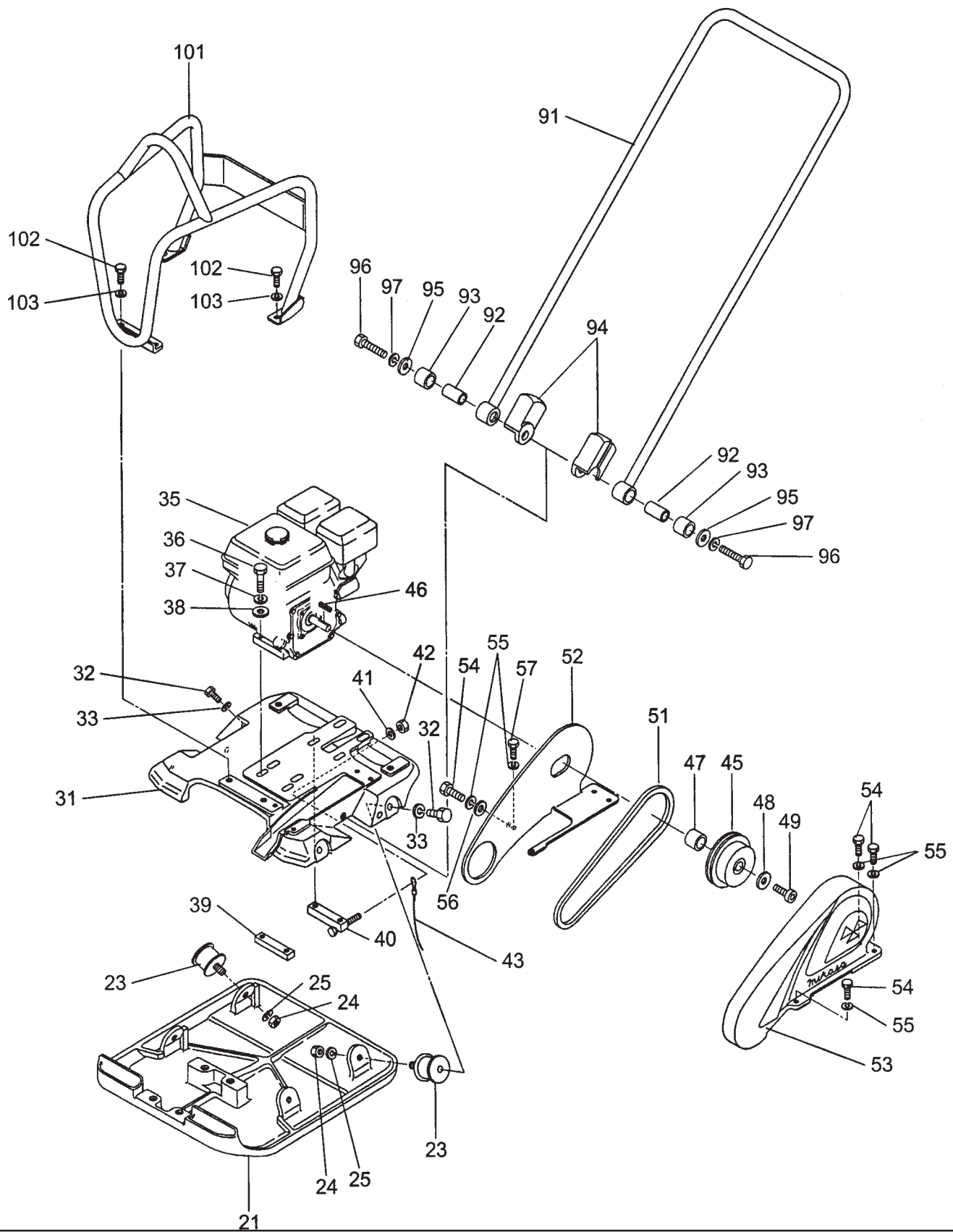
NAME PLATE AND DECALS



NAME PLATE AND DECALS

<u>NO</u>	<u>PART NO</u>	<u>PART NAME</u>	<u>QTY.</u>	<u>REMARKS</u>
1	920206290	DECAL, READ OWNERS MANUAL	1	NPA-629
2	920203290	DECAL, CAUTION	1	NPA-329
3	920208450	DECAL, LIFTING	1	NPA-845
4	920203060	DECAL, CAUTION (START ENG/VIBR) .	1	NPA-306
5	920208350	DECAL, V- BELT RPF-3330	1	NPA-835
6	920201580	DECAL, MQ LOGO	2	NPA-158
7	920106460	DECAL, MIKASA LOGO (NAME)	1	NPA-507
8	920201950	DECAL, MOTOR OIL	1	NPA-195
9	920101410	DECAL, MIKASA LOGO (TRIANGLE) ...	1	NPA-141
10		PLATE, SERIAL NO./MVC-MQ	1	CONTACT MQ PARTS DEPT. W/ MODEL & S/N
11	920203330	EAR PROTECTION LABEL	1	NPA-333

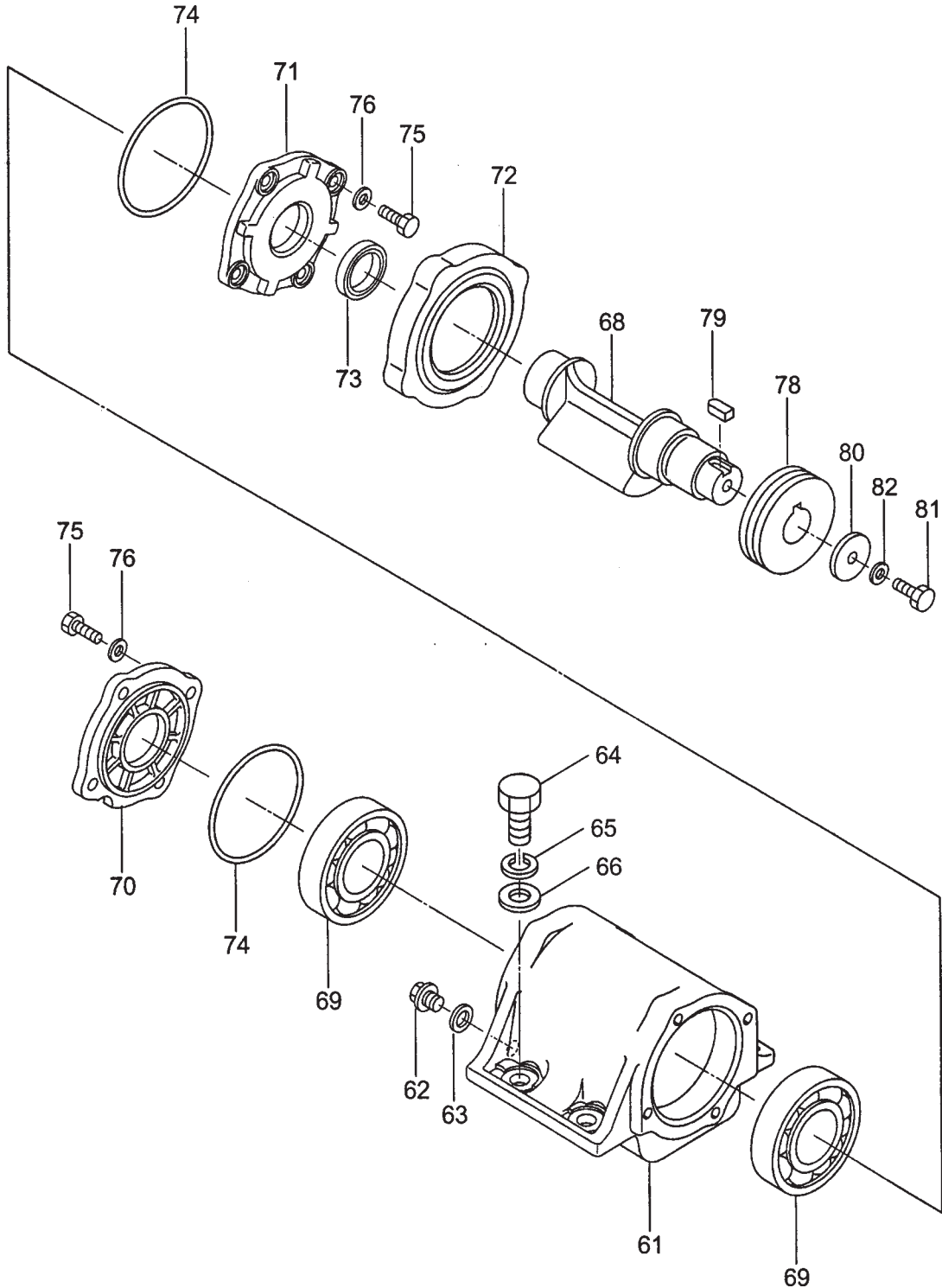
BODY ASSY.



BODY ASSY.

<u>NO</u>	<u>PART NO</u>	<u>PART NAME</u>	<u>QTY.</u>	<u>REMARKS</u>
21	416115971	VIBRATING PLATE	1	
23	939010140	SHOCK ABSORBER 50D-45H	4	
24	020310080	NUT M10	4	
25	030210250	WASHER SW M10	4	
31	416115980	BASE	1	
32	001221025	BOLT 10X25 T	4	
33	030210250	WASHER, LOCK M10	4	
35	912216006	ENGINE ASSY. GX160K1QMX2	1	
36	001220845	BOLT 8X45 T	4	
37	030208200	WASHER, LOCK M8	4	
38	031108160	WASHER, FLAT M8	4	
39	404412290	ENGINE NUT	1	
40	416452780	ENGINE NUT (W/BOLT)	1	
41	031108160	WASHER, FLAT M8	1	
42	022710809	NYLON NUT M8	1	
43	959404350	EARTH WIRE	1	
45	416338990	CLUTCH ASSY.	1	
46	951010170	KEY 4.77X4. 77X35	1	
47	416452800	COLLAR 19.05-25-15.6	1	
48	952400130	WASHER	1	
49	009110004	SOCKET HEAD BOLT 5/16X24	1	
51	070100332	V-BELT RPF-3330	1	
52	416115950	BELT COVER (INSIDE)	1	
53	416116000	BELT COVER	1	
54	001220825	BOLT 8X25 T	4	
55	030208200	WASHER, LOCK M8	5	
56	031108160	WASHER, FLAT M8	1	
57	001220820	BOLT 8X20 T	1	
91	416115930	HANDLE	1	
92	416452730	COLLAR 13-20-44	2	
93	404433430	RUBBER 20X32X28.5/52H	2	
94	416452360	HANDLE STOPPER	2	
95	952405600	WASHER 12.5X35X4.5	2	
96	001211253	BOLT 12X65 H	2	
97	030212300	WASHER, LOCK M12	2	
101	416115940	GUARD HOOK /MVC-88	1	
102	001221025	BOLT 10X25 T	4	
103	030210250	WASHER, LOCK M10	4	

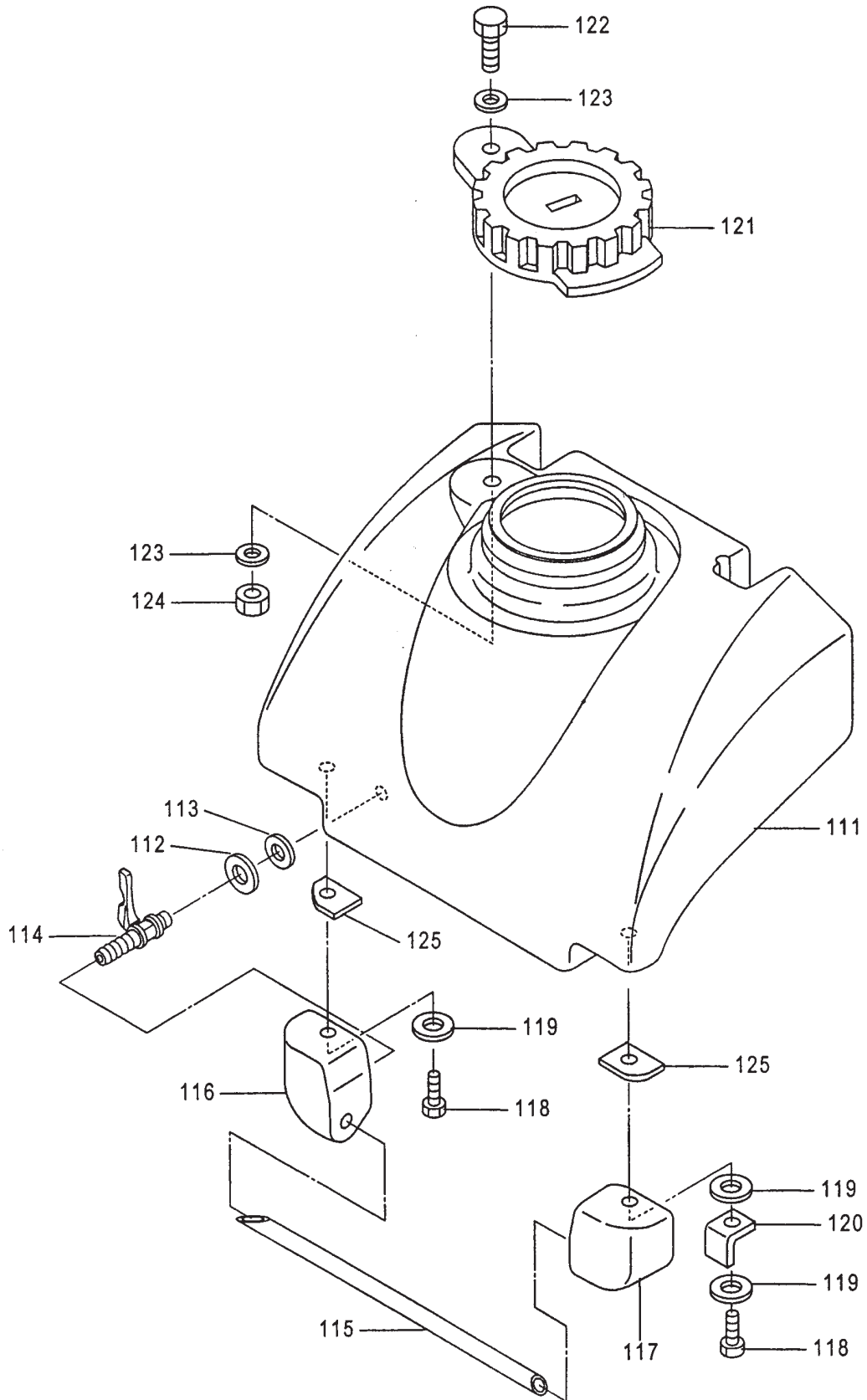
VIBRATOR ASSY.



VIBRATOR ASSY.

<u>NO</u>	<u>PART NO</u>	<u>PART NAME</u>	<u>QTY.</u>	<u>REMARKS</u>
61	416115990	VIBRATING CASE	1	
62	953400270	PLUG 1/4X14 10L	1	
63	953405260	PACKING 1/4	1	
64	001221635	BOLT 16X35 T	4	
65	030216400	WASHER, LOCK M16	4	
66	031116260	WASHER, FLAT M16	4	
68	416338890	ECCENTRIC ROTATOR	1	
69	040306211	BEARING 6211C3	2	
70	416338900	CASE COVER (R)	1	
71	416338910	CASE COVER (L)	1	
72	416338920	BELT COVER GUARD	1	
73	060403060	OIL SEAL TC-35488	1	
74	050101000	O-RING G-100	2	
75	001220825	BOLT 8X25 T	8	
76	030208200	WASHER, LOCK M8	8	
78	416452720	PULLEY A1-30-86-20B	1	
79	951405240	KEY 7X7X19 R	1	
80	952404250	WASHER 11X40X4	1	
81	001221025	BOLT 10X25 T	1	
82	030210250	WASHER, LOCK M10	1	

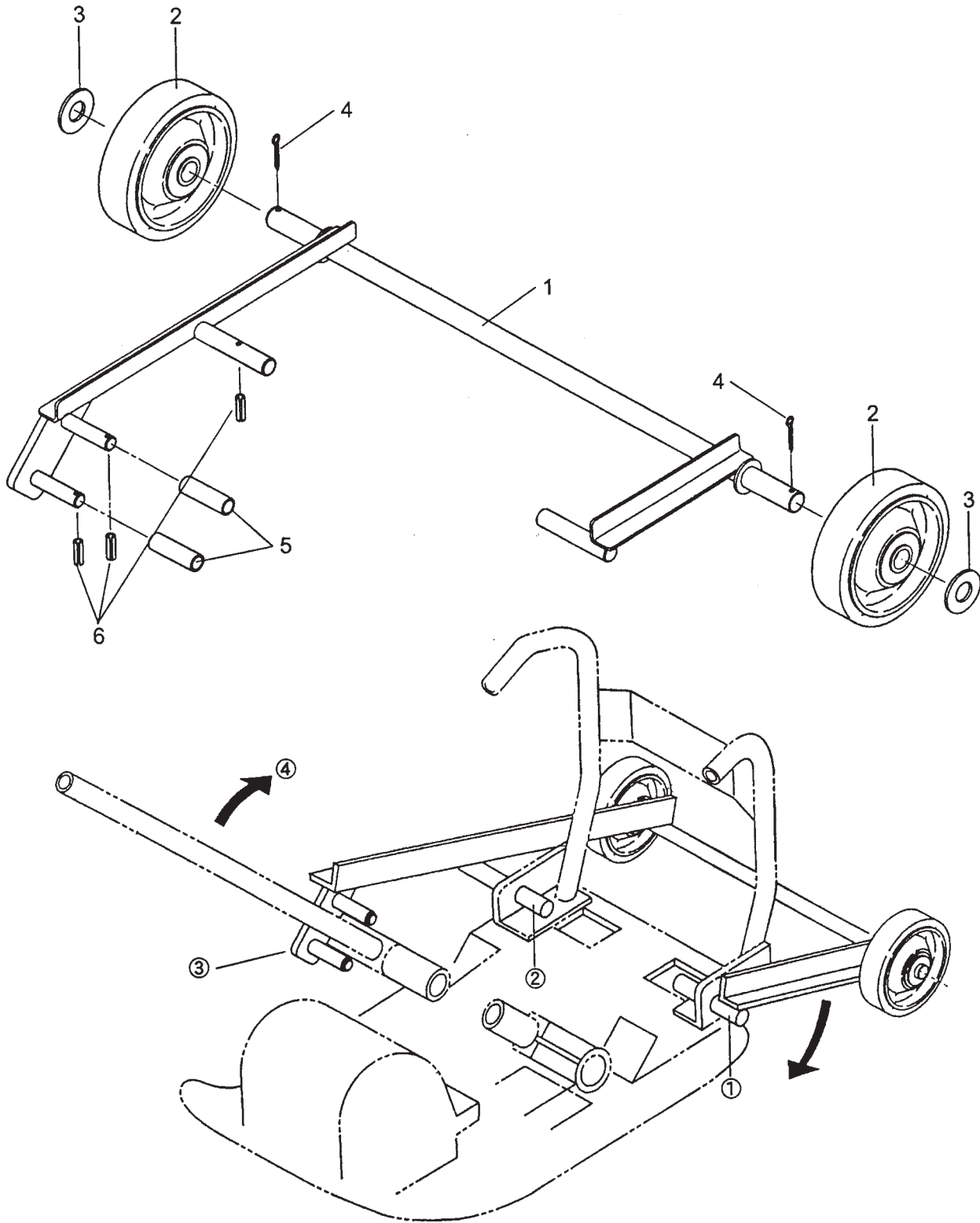
SPRINKLER ASSY.



SPRINKLER ASSY.

<u>NO</u>	<u>PART NO</u>	<u>PART NAME</u>	<u>QTY.</u>	<u>REMARKS</u>
111	4169100109	WATER TANK ASSY.	1	INCLUDES ITEMS W/*
111A*	416910010	WATER TANK (W/CAP ONLY)	1	REPLACES 416116010 INCLUDES ITEMS W/#
112*	033910050	WASHER 14.5X30X1.6	1	
113*	953406390	PACKING 13X28X2	1	
114*	954403241	COCK PT1/4	1	
115*	416338930	SPRINKLING PIPE	1	
116*	416338940	PIPE HOLDER (L)	1	
117*	416452750	PIPE HOLDER (R)	1	
118*	001740825	FLANGE BOLT 8X25	2	
119*	416453780	PACKING 8X19X2T	3	
120*	416452790	STAY, PIPE HOLDER	1	
121*#	954300340	CAP, WATER TANK	1	
122*#	001241030	BOLT 10X30	1	
123*#	033910010	WASHER 10.5X21X2	2	
124*#	022910180	NYLON NUT M10	1	
125*#	416453800	SEAT PACKING	2	

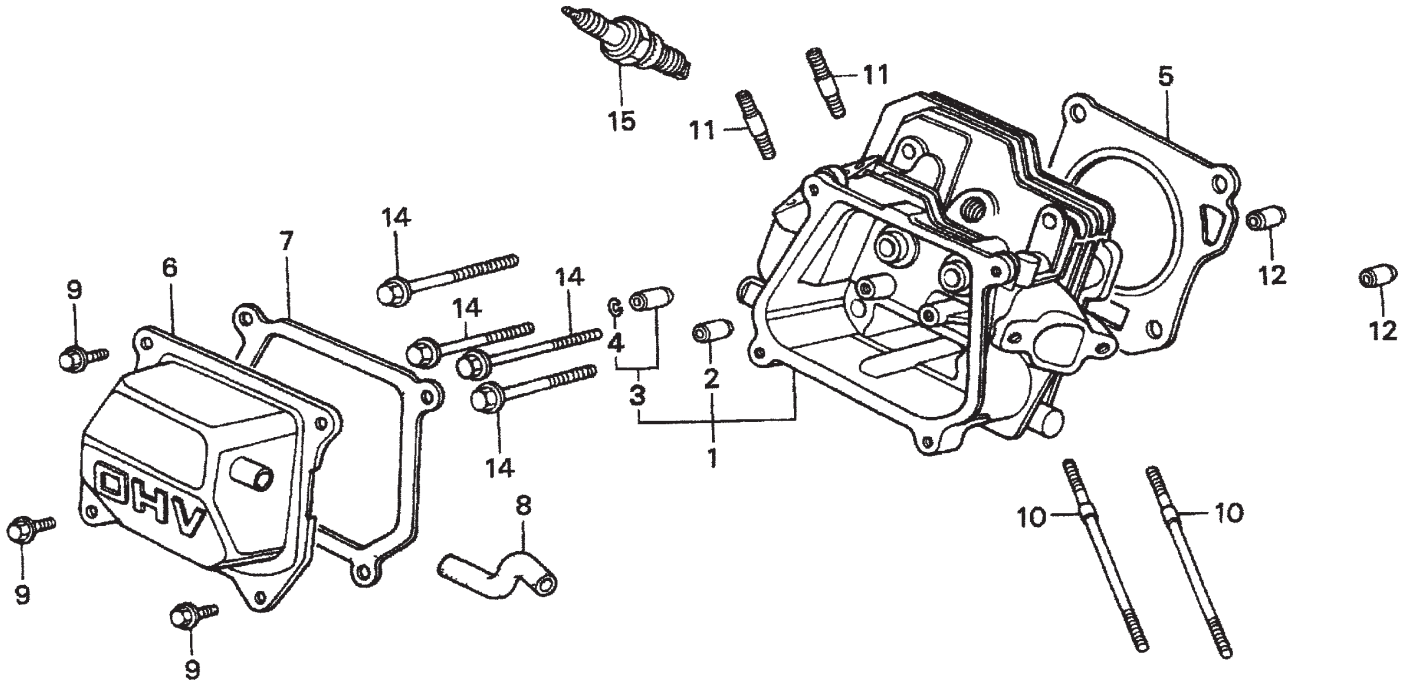
TRANSPORT WHEEL ASSY.



TRANSPORT WHEEL ASSY.

<u>NO</u>	<u>PART NO</u>	<u>PART NAME</u>	<u>QTY.</u>	<u>REMARKS</u>
1	416116160	WHEEL SHAFT	1	
2	959404310	WHEEL 150X42	2	
3	031120320	WASHER, FLAT M20	2	
4	025203030	SPLIT COTTER PIN 3X30	2	
5	416454150	ROLLER	2	
6	025403025	SPRING PIN 3X25	3	

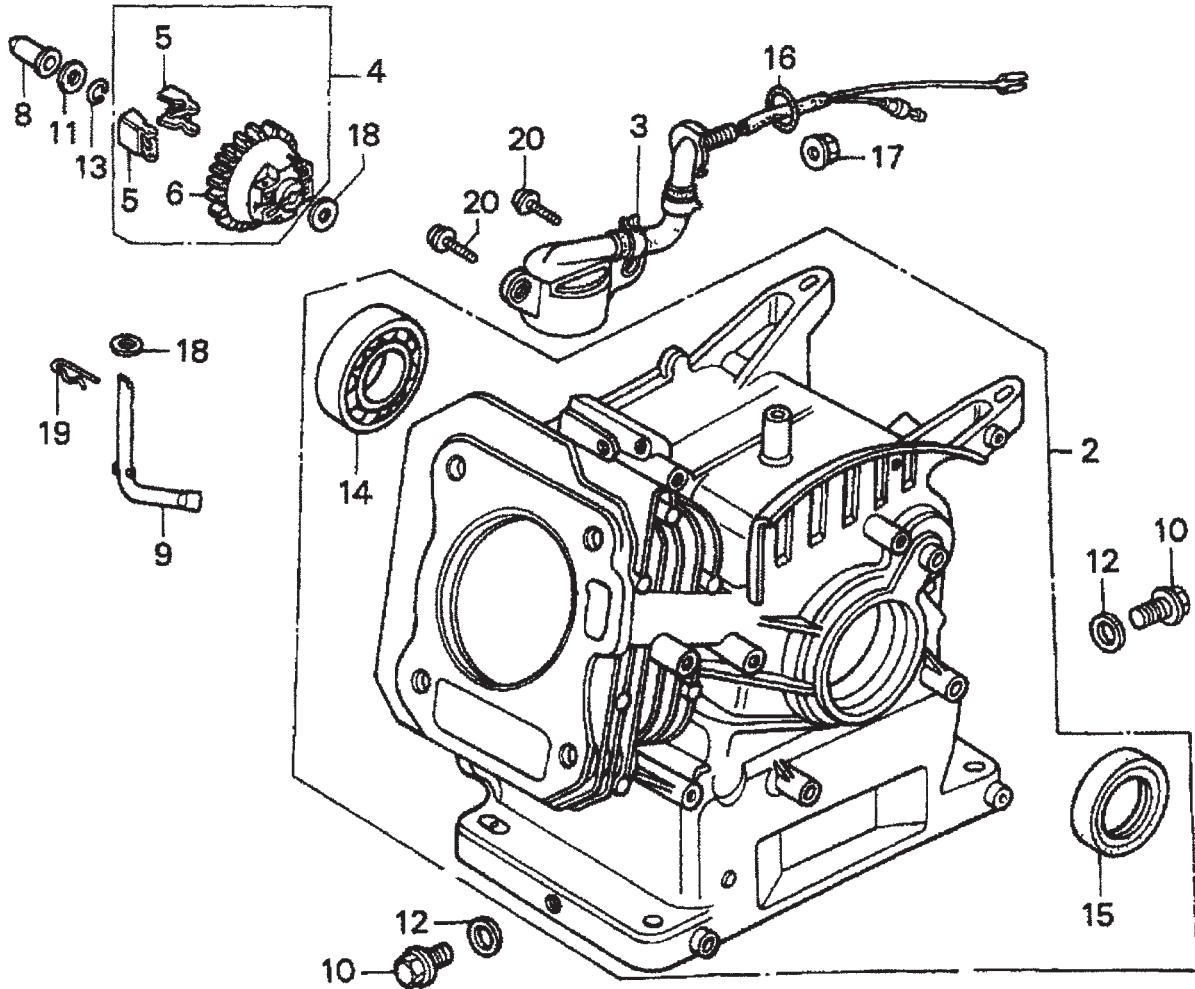
CYLINDER HEAD ASSY.



CYLINDER HEAD ASSY.

NO.	PART NO.	PART NAME	QTY.	REMARKS
1	12210ZH8020	CYLINDER HEAD	1	INCLUDES ITEMS W/*
2*	12204ZE1306	GUIDE, VALVE (OS) (OPTIONAL)	1	
3*	12205ZE1315	GUIDE, EX. VALVE (OS) (OPTIONAL)	1	INCLUDES ITEMS W/#
4*#	12216ZE5300	CLIP, VALVE GUIDE	1	
5	12251ZF1800	GASKET, CYLINDER HEAD	1	
6	12310ZE1010	COVER, HEAD	1	S/N 7638542 AND BELOW
6	12310ZE1020	COVER, HEAD	1	S/N 7638543 AND ABOVE
7	12391ZE1000	GASKET, CYLINDER HEAD COVER	1	
8	15721ZH8000	TUBE, BREATHER	1	
9	90013883000	BOLT, FLANGE (6 X 12)	4	
10	90043ZE1020	BOLT, STUD (6 X 109)	2	
11	90047ZE1000	BOLT, STUD (8 X 32)	2	
12	9430110160	PIN A, DOWELL (10 X 16)	2	
14	957230806000	BOLT, FLANGE (8 X 60)	4	
15	9807955846	SPARK PLUG (BPR5ES) (NGK)	1	
15	9807956846	SPARK PLUG (BPR6ES) (NGK)	1	

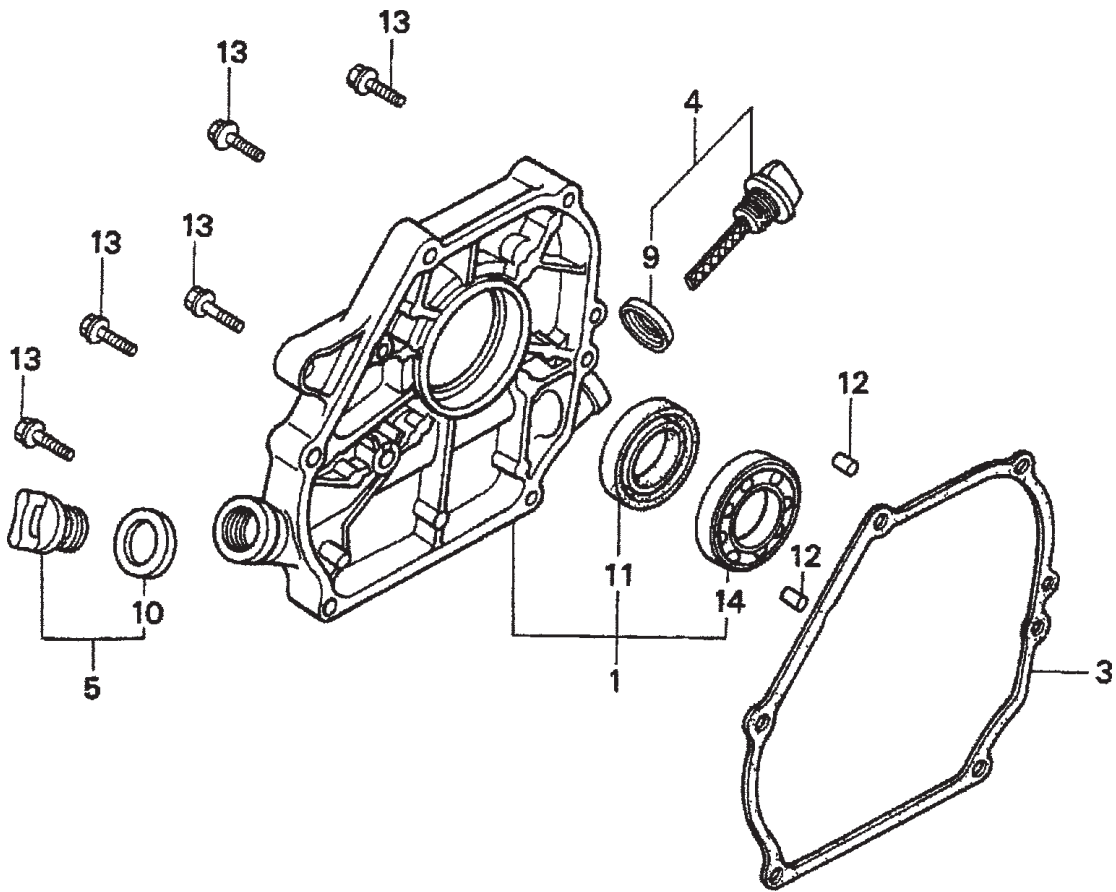
CYLINDER BARREL ASSY.



CYLINDER BARREL ASSY.

<u>NO.</u>	<u>PART NO.</u>	<u>PART NAME</u>	<u>QTY.</u>	<u>REMARKS</u>
2	12000ZH8811	CYLINDER ASSY. (OIL ALERT)	1	INCLUDES ITEMS W/*
3	15510ZE1023	SWITCH ASSY., OIL LEVEL	1	USE UP TO ENGINE S/N 4367320
3	15510ZE1033	SWITCH ASSY., OIL LEVEL	1	USE FROM ENGINE S/N 4367321
4	16510ZE1000	GOVERNOR ASSY.	1	INCLUDES ITEMS W/#
5#	16511ZE1000	WEIGHT, GOVERNOR	2	
6#	16512ZE1000	HOLDER, GOVERNOR WEIGHT	1	
8	16531ZE1000	SLIDER, GOVERNOR	1	
10	90131ZE1000	BOLT, DRAIN PLUG	2	
11	90451ZE1000	WASHER, THRUST (6MM)	1	
12	90601ZE1000	WASHER, DRAIN PLUG (10.2MM)	2	
13	90602ZE1000	CLIP, GOVERNOR HOLDER	1	
14*	91001ZF1003	BEARING, RADIAL BALL (6205)	1	
15*	91202883005	OIL SEAL (25 X 41 X 6)	1	
16	91353671003	O-RING (13.5 X 1.5) (ARAI)	1	
17	9405010000	NUT, FLANGE (10MM)	1	
18	9410106800	WASHER, PLAIN (6MM)	2	
19	9425108000	PIN, LOCK (8MM)	1	
20	957010601200	BOLT, FLANGE (6 X 12)	2	

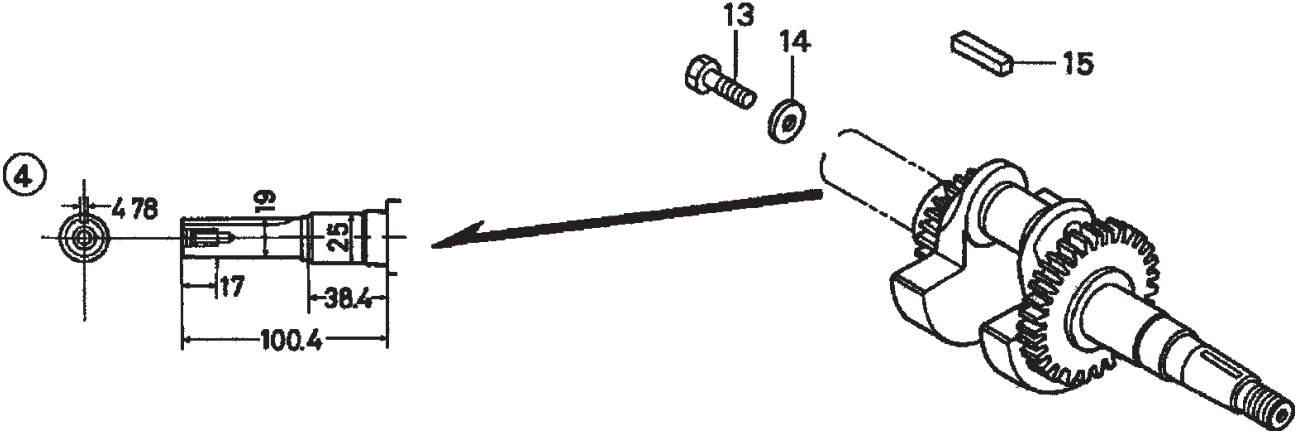
CRANKCASE COVER ASSY.



CRANKCASE COVER ASSY.

<u>NO.</u>	<u>PART NO.</u>	<u>PART NAME</u>	<u>QTY.</u>	<u>REMARKS</u>
1	11300ZE1641	COVER ASSY., CRANKCASE (U-TYPE)	1	INCLUDES ITEMS W/*
3	11381ZH8801	GASKET, CASE COVER	1	
4	15600ZE1003	CAP ASSY., OIL FILLER	1	INCLUDES ITEMS W/#
5	15600ZG4003	CAP ASSY., OIL FILLER	1	INCLUDES ITEMS W/+
9#	15625ZE1003	GASKET, OIL FILLER CAP	1	
10+	15625ZE1003	GASKET, OIL FILLER CAP	1	
11*	91202883005	OIL SEAL (25 X 41 X 6)	1	
12	9430108140	PIN A, DOWEL (8 X 14)	2	
13	957010803200	BOLT, FLANGE (8 X 32)	6	
14*	961006205000	BEARING, RADIAL BALL (6205)	1	

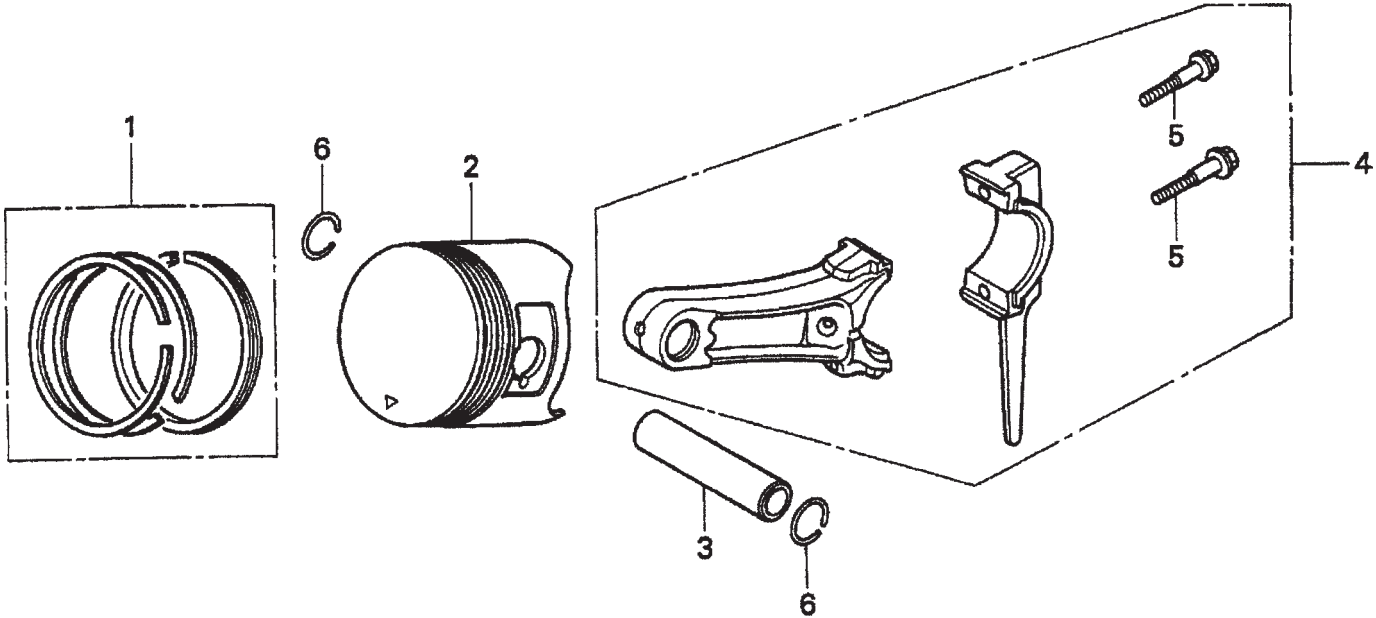
CRANKSHAFT ASSY.



CRANKSHAFT ASSY.

<u>NO.</u>	<u>PART NO.</u>	<u>PART NAME</u>	<u>QTY.</u>	<u>REMARKS</u>
4	13310ZE1601	CRANKSHAFT (Q-TYPE)	1	
13	90003ZE1000	BOLT, HEX 5/16"	1 USE FROM S/N 6745959
14	90473842000	WASHER, 8 MM	1 USE FROM S/N 6745959
15	90745ZE1600	KEY, 78 X 38 MM	1	

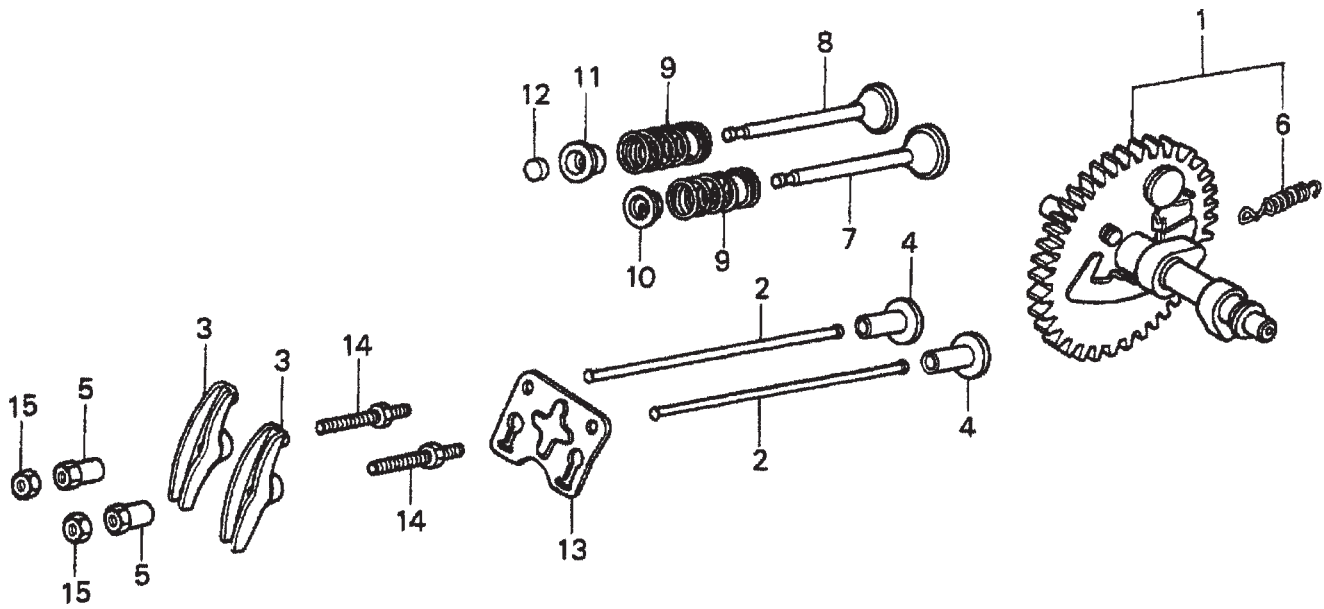
PISTON/RINGS ASSY.



PISTON/RINGS ASSY.

<u>NO.</u>	<u>PART NO.</u>	<u>PART NAME</u>	<u>QTY.</u>	<u>REMARKS</u>
1	13010ZH8941	RING SET, PISTON (STD)	1	
1	13011ZH8941	RING SET, PISTON (OS 0.25)	1	
1	13012ZH8941	RING SET, PISTON (OS 0.50)	1	USE FROM ENGINE S/N 4733211
1	13013ZH8941	RING SET, PISTON (0.75) OPTION	1	
2	13101ZH8000	PISTON (STD)	1	
2	13102ZH8000	PISTON (OS 0.25)	1	
2	13103ZH8000	PISTON (OS 0.50)	1	
2	13104ZH8000	PISTON (0.75)	1	
3	13111ZE1000	PIN, PISTON	1	
4	13200ZE1010	ROD ASSY., CONNECTING	1	INCLUDES ITEMS W/*
5*	90001ZE1000	BOLT, CONNECTING ROD	2	
6	90551ZE1000	CLIP, PISTON PIN (18MM)	2	

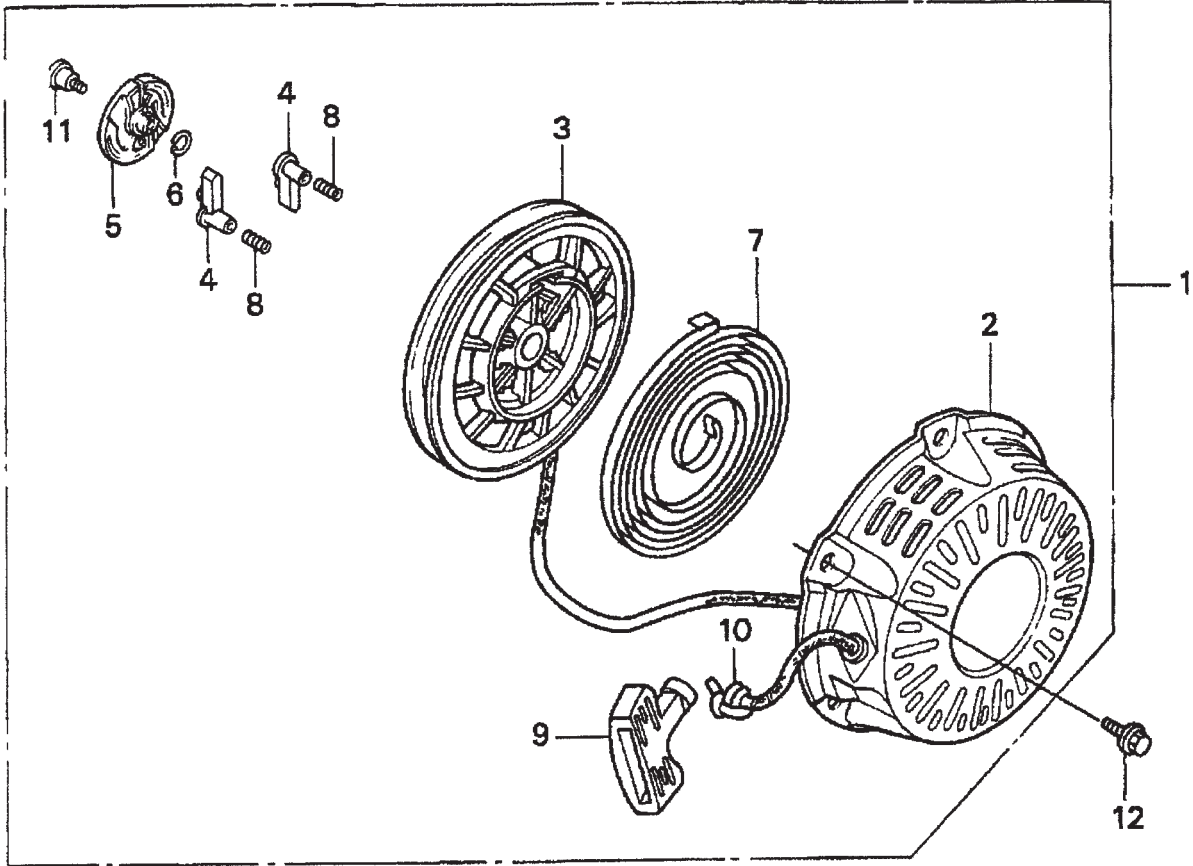
CAMSHAFT ASSY.



CAMSHAFT ASSY.

<u>NO.</u>	<u>PART NO.</u>	<u>PART NAME</u>	<u>QTY.</u>	<u>REMARKS</u>
1	14100ZE1812	CAMSHAFT ASSY.	1	INCLUDES ITEMS W/*
2	14410ZE1010	ROD, PUSH	2	
3	14431ZE1000	ARM, VLAVE ROCKER	2	
4	14441ZE1010	LIFTER, VALVE	2	
5	14451ZE1013	PIVOT, ROCKER ARM	2	
6*	14568ZE1000	SPRING, WEIGHT RETURN	1	
7	14711ZF1000	VALVE, IN.	1	
8	14721ZF1000	VALVE, EX. (STELITE)	1	
9	14751ZF1000	SPRING VALVE	2	
10	14771ZE1000	RETAINER, IN. VALVE SPRING	1	
11	14773ZE1000	RETAINER, EX. VALVE SPRING	1	
12	14781ZE1000	ROTATOR, VALVE	1	
13	14791ZE1010	PLATE, PUSH ROD GUIDE	1	
14	90012ZE0010	BOLT, PIVOT (8MM)	2	
15	90206ZE1000	NUT, PIVOT ADJ.	2	

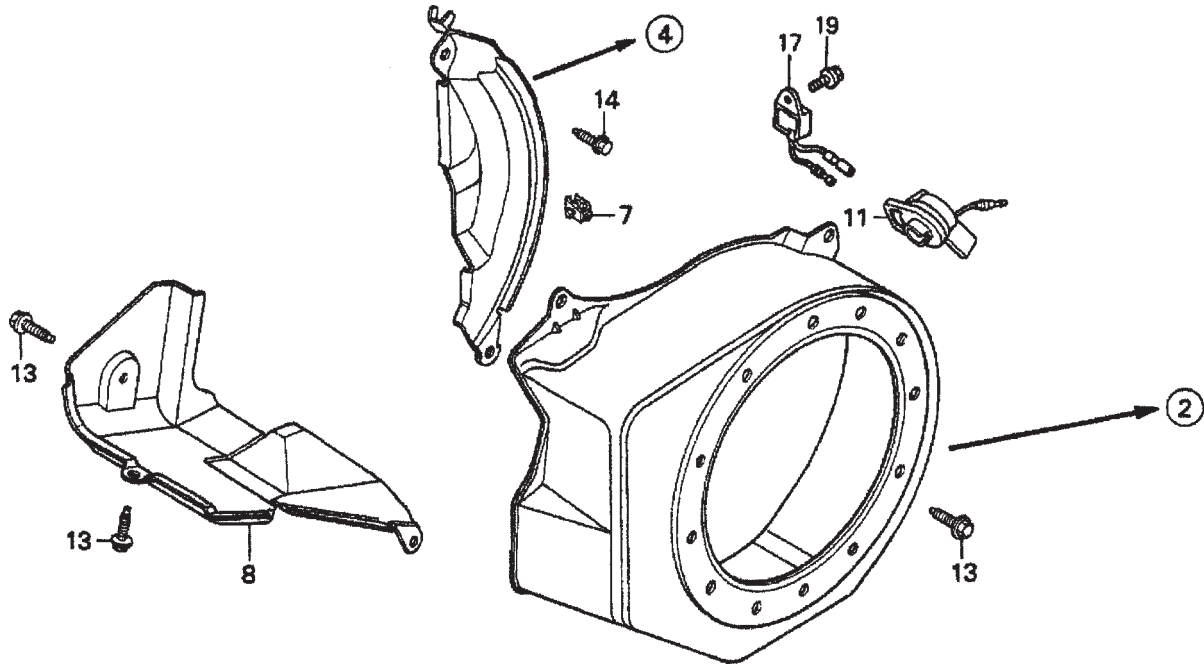
RECOIL STARTER ASSY.



RECOIL STARTER ASSY.

<u>NO.</u>	<u>PART NO.</u>	<u>PART NAME</u>	<u>QTY.</u>	<u>REMARKS</u>
1	28400ZH8013ZB	STARTER ASSY., RECOIL "NH1"(BLACK)	1	INCLUDES ITEMS W/*
2*	28410ZH8003ZB	CASE, RECOIL STARTER "NH1"(BLACK)	1	
3*	28420ZH8013	REEL, RECOIL STARTER	1	
4*	28422ZH8013	RATCHET, STARTER	2	
5*	28433ZH8003	GUIDE, RATCHET	1	
6*	28441ZH8003	SPRING, FRICTION	1	
7*	28442ZH8003	SPRING, RECOIL STARTER	1	
8*	28443ZH8003	SPRING, RETURN	2	
9*	28461ZH8003	KNOB, RECOIL STARTER	1	
10*	28462ZH8003	ROPE, RECOIL STARTER	1	
11*	90003ZH8003	SCREW, SETTING	1	
12	90008ZE2003	BOLT, FLANGE (6 X 10)	3	

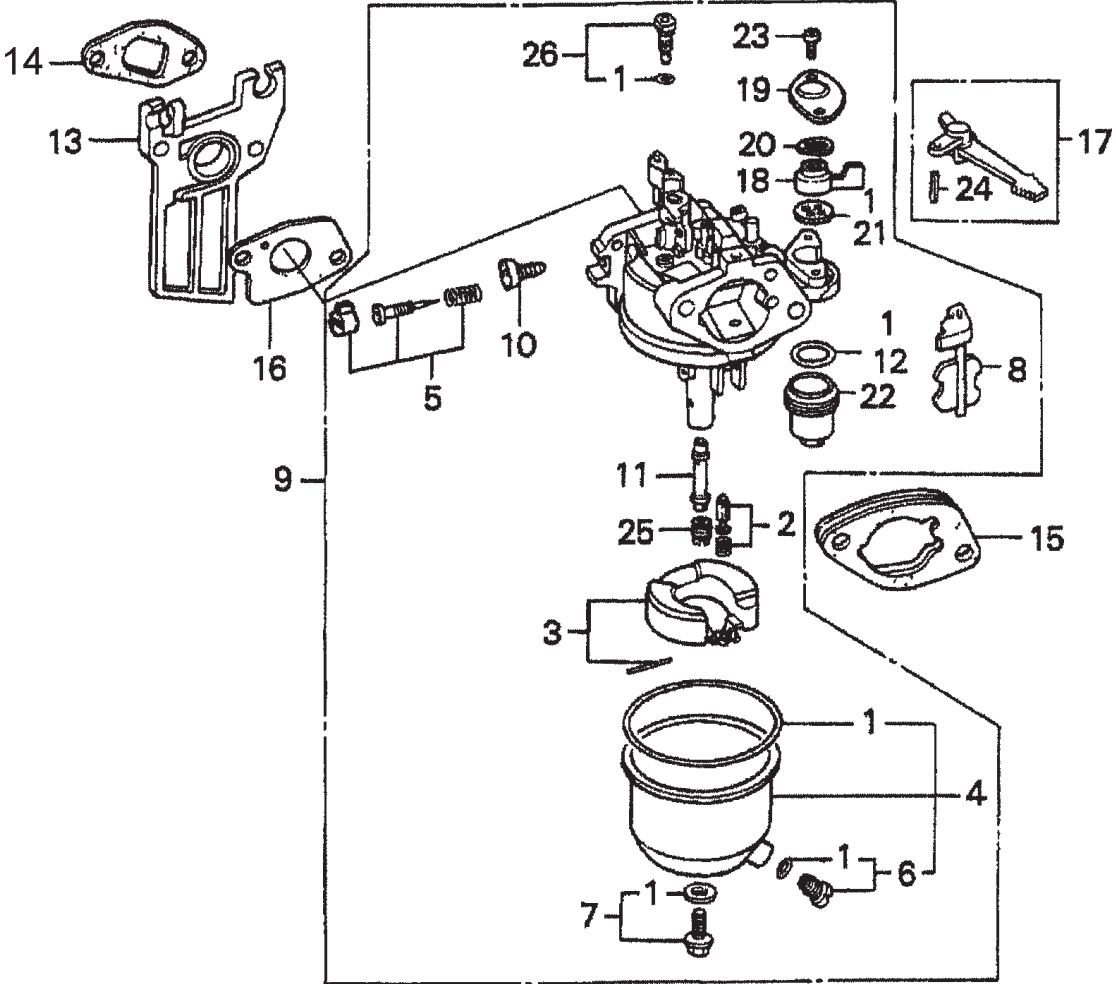
FAN COVER ASSY.



FAN COVER ASSY.

<u>NO.</u>	<u>PART NO.</u>	<u>PART NAME</u>	<u>QTY.</u>	<u>REMARKS</u>
2	19610ZE1000ZC	COVER, FAN *NH1* (BLACK)	1	
4	19612ZH8811	PLATE, SIDE (OIL ALERT)	1	
7	90601ZH7013	CLIP, HARNESS	1	
8	19630ZH8000	SHROUD	1	
11	36100ZE1015	SWITCH ASSY., ENGINE STOP	1.....	USE UP TO S/N 4368640
11	36100ZH7003	SWITCH ASSY., ENGINE STOP	1.....	USE FROM 4368641
13	90013883000	BOLT, FLANGE (6 X 12) (CT200)	6	
14	90022888010	BOLT, FLANGE (6 X 20) (CT200)	1	
17	34150ZH7003	ALERT UNIT, OIL	1	
19	957010600800	BOLT, FLANGE (6 X 8)	1	

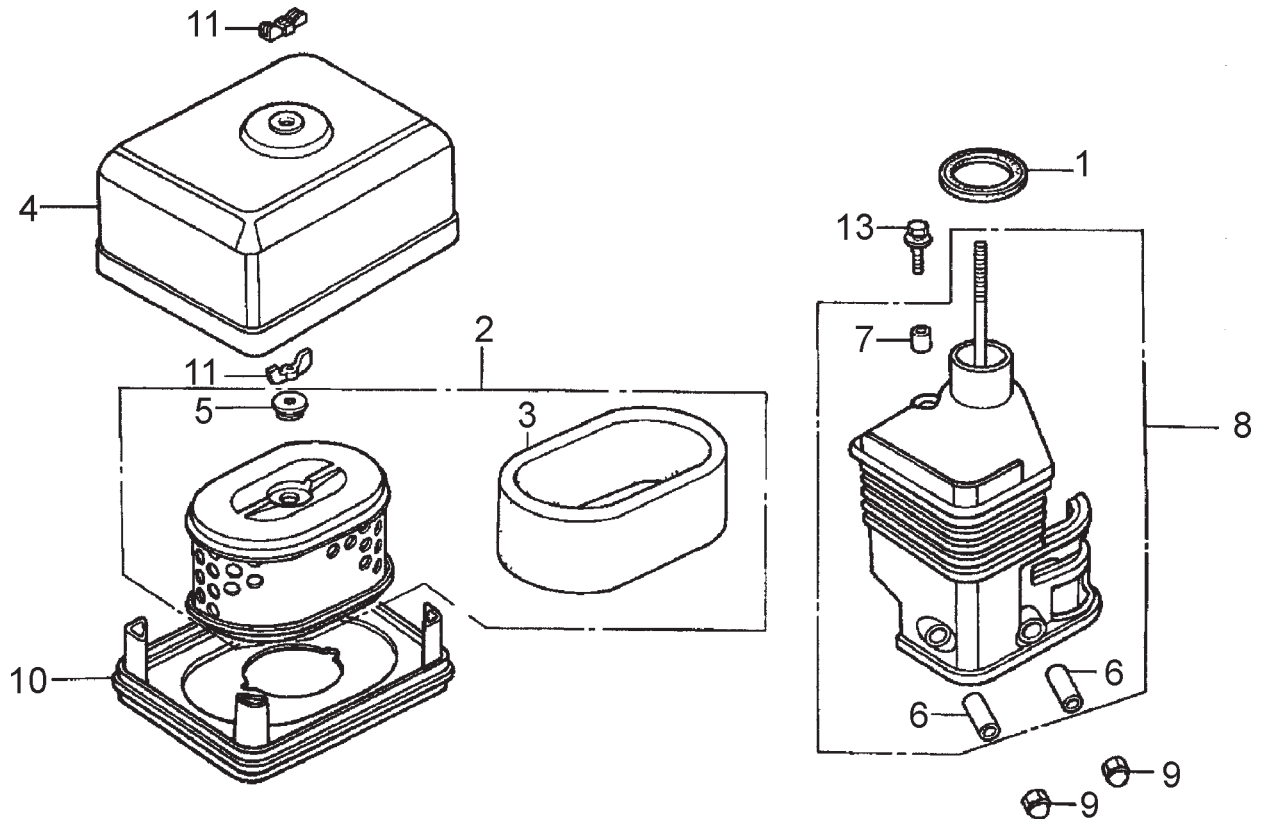
CARBURETOR ASSY.



CARBURETOR ASSY.

<u>NO.</u>	<u>PART NO.</u>	<u>PART NAME</u>	<u>QTY.</u>	<u>REMARKS</u>
1	16010ZE1812	GASKET SET	1	
2*	16011ZE0005	VALVE SET, FLOAT	1	
3*	16013ZE0005	FLOAT SET	1	
4*	16015ZE0831	CHAMBER SET, FLOAT	1	
5*	16016ZH7W01	SCREW SET	1	
6*	16024ZE1811	SCREW SET, DRAIN	1	
7*	16028ZE0005	SCREW SET B	1	
8*	16044ZE0005	CHOKE SET	1	
9*	16100ZH8W51	CARBURETOR ASSY. (BE65B B)	1 INCLUDES ITEMS W/*
10*	16124ZE0005	SCREW, THROTTLE STOP	1	
11*	16166ZH8W50	NOZZLE, MAIN	1	
12*	16173001004	O-RING	1	
13	16211ZE1000	INSULATOR, CARBURETOR	1	
14	16212ZH8800	GASKET, INSULATOR	1	
15	16220ZE1020	SPACER, CARBURETOR	1	
16	16221ZH8801	GASKET, CARBURETOR	1	
17	16610ZE1000	LEVER, CHOKE (STD)	1 INCLUDES ITEMS W/#
18*	16953ZE1812	LEVER, VALVE	1	
19*	16954ZE1811	PLATE, LEVER SETTING	1	
20*	16956ZE1811	SPRING, VALVE LEVER	1	
21*	16957ZE1812	GASKET, VALVE	1	
22*	16967ZE0811	CUP, FUEL STRAINER	1	
23*	93500030060H	SCREW, PAN (3 X 6)	2	
24#	9430520122	PIN, SPRING (2 X 12)	1	
25	99101ZH80650	JET, MAIN (#65) OPTIONAL	1	
25	99101ZH80680	JET, MAIN (#68) OPTIONAL	1	
25*	99101ZH80700	JET, MAIN (#70)	1	
26*	99204ZE00350	JET, SET, PILOT (#35)	1	

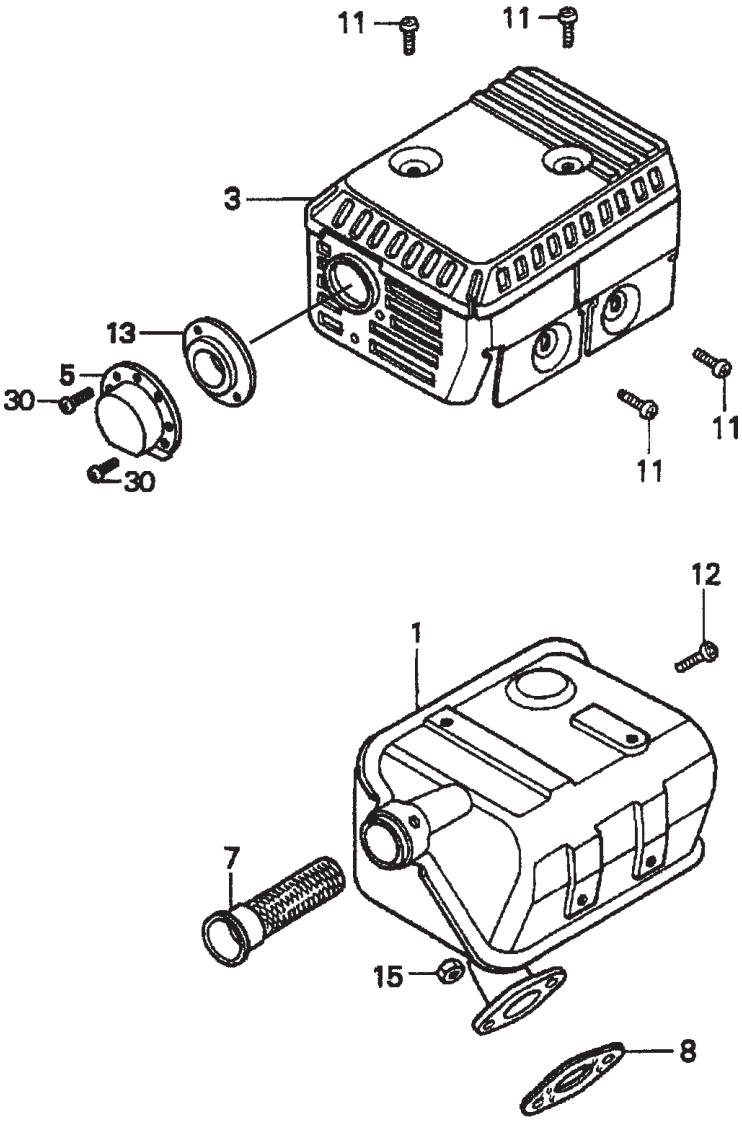
AIR CLEANER ASSY.



AIR CLEANER ASSY.

<u>NO.</u>	<u>PART NO.</u>	<u>PART NAME</u>	<u>QTY.</u>	<u>REMARKS</u>
1	16271ZE1000	GASKET, ELBOW	1	INCLUDES ITEMS W/*
2	17210ZE1505	ELEMENT, AIR CLEANER (DUAL)	1	
3*	17218ZE1505	FILTER (OUTER)	1	
4	17230ZE1820	COVER, AIR CLEANER (DUAL)	1	
5*	17232891000	GROMMET, AIR CLEANER	1	
6#	17238ZE7010	COLLAR, AIR CLEANER	2	
7#	17239ZE1000	COLLAR B, AIR CLEANER	1	
8	17410ZE1020	ELBOW, AIR CLEANER	1	INCLUDES ITEMS W/#
9	90201415000	NUT, CAP (6 MM)	2	
10	17235ze1831	NOSE, MUFFLER	1	
11	90325044000	WINGNUT, TOOL BOX SETTING	2	
13	957010602000	BOLT, FLANGE (6 X 20)	1	

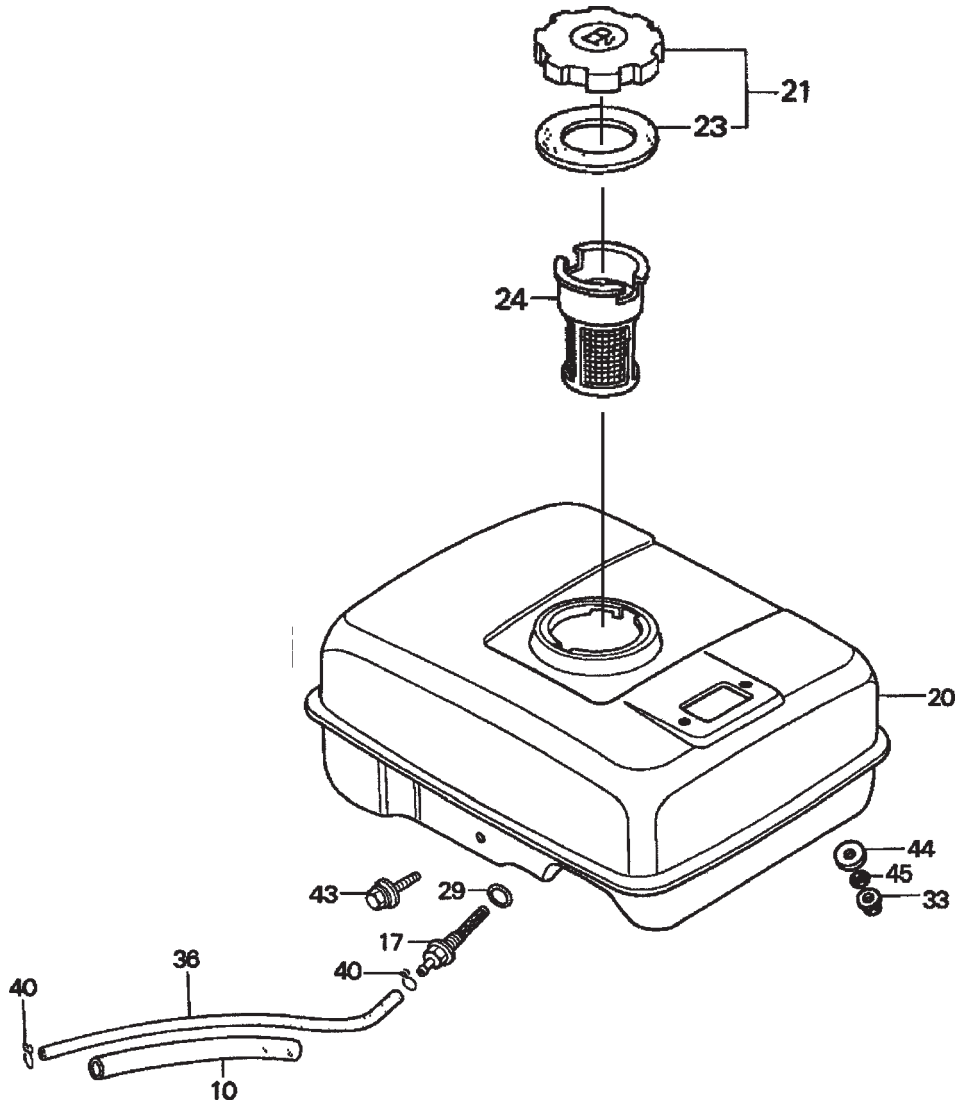
MUFFLER ASSY.



MUFFLER ASSY.

NO.	PART NO.	PART NAME	QTY.	REMARKS
1	18310ZH8810	MUFFLER.....	1 USE UP TO S/N 6745959
1	18310ZK8V50	MUFFLER.....	1 USE FROM S/N 6745959
3	18320ZF1H01	PROTECTOR, MUFFLER	1	
5	18331883810	CAP, MUFFLER	1	
7	18355ZE1000	ARRESTER, SPARK	1	
8	18381ZH8800	GASKET, MUFFLER	1	
11	90050ZE1000	SCREW, TAPPING (5 X 8)	4	
12	90055ZE1000	SCREW, TAPPING (4 X 6)	1	
13	18522ZE1000	GUIDE, MUFFLER	1	
15	94001080000S	NUT, HEX (8MM)	2	
30	90002ZG0003	SCREW, TAPPING (4 X 8)	2	

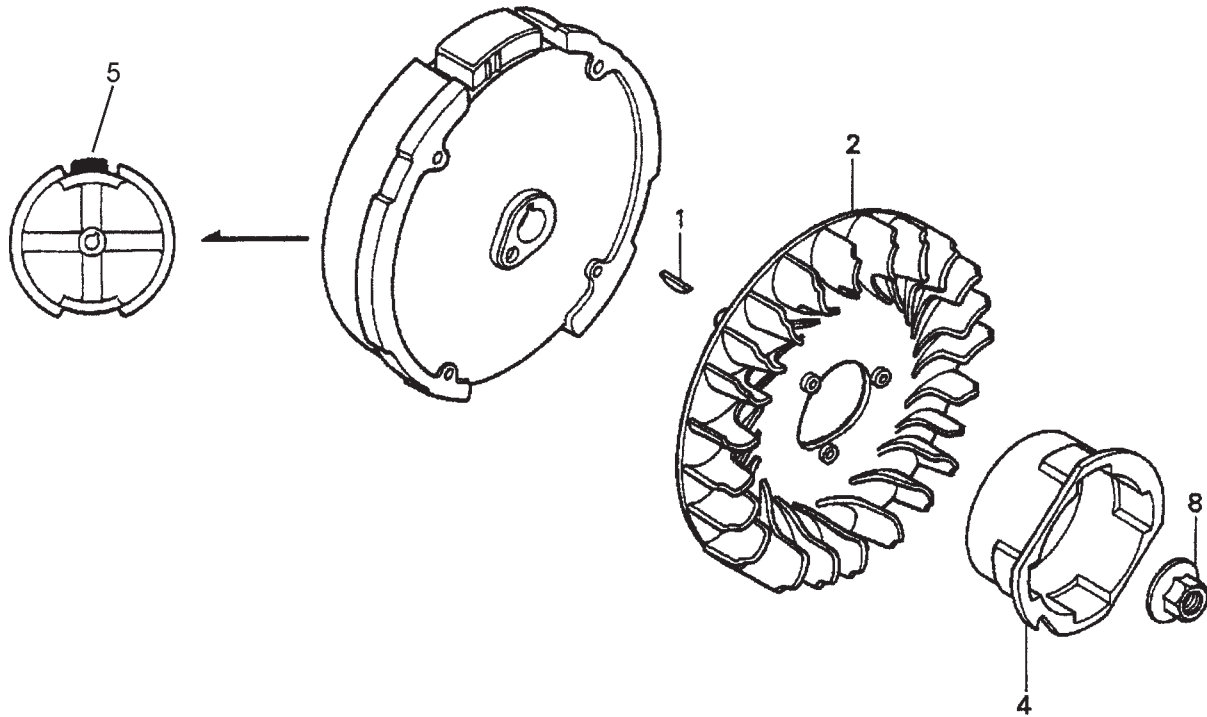
FUEL TANK ASSY.



FUEL TANK ASSY.

<u>NO.</u>	<u>PART NO.</u>	<u>PART NAME</u>	<u>QTY.</u>	<u>REMARKS</u>
10	16854ZH8000	RUBBER, SUPPORTER (107MM)	1	
17	16955ZE1000	JOINT, FUEL TANK	1	
20	17510ZE1020ZF	TANK, FUEL *NH1* (BLACK)	1	
21	17620ZH7023	CAP, FUEL FILLER	1	INCLUDES ITEMS W/*
23*	17631ZH7003	GASKET, FUEL FILLER CAP	1	
24	17672ZE2W01	FILTER, FUEL	1	
29	91353671003	O-RING (13.5 X 1.5) (ARAI)	1	
33	9405006000	NUT, FLANGE (6MM)	2	
36	950014500360M	BULK HOSE, FUEL (4.5 X 3000) (4.5 X 140)	1	
40	9500202080	CLIP, TUBE (B8)	2	
43	957010602500	BOLT, FLANGE (6 X 25)	1	
44	90404680000	WASHER	2	USE FROM S/N 6745959
45	91319ME5003	O-RING	2	USE FROM S/N 6745959

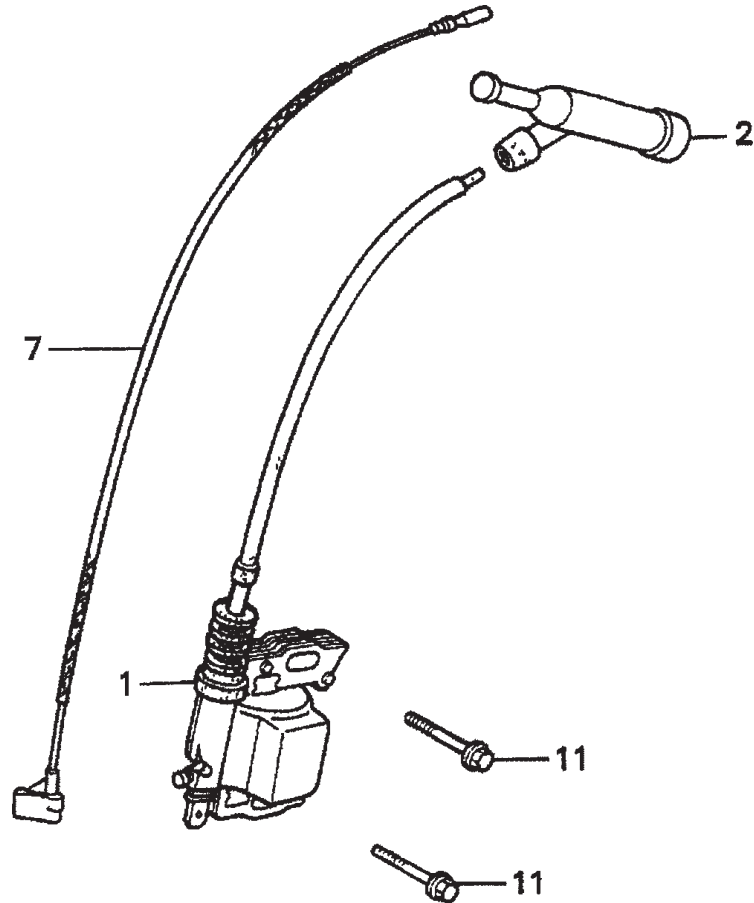
COOLING FAN AND FLYWHEEL ASSY.



COOLING FAN AND FLYWHEEL ASSY.

<u>NO.</u>	<u>PART NO.</u>	<u>PART NAME</u>	<u>QTY.</u>	<u>REMARKS</u>
1	13331357000	KEY, SPECIAL WOODRUFF (25 X 18)	1	
2	19511ZE1000	FAN, COOLING	1	
4	28451ZH8003	PULLEY, STARTER	1	
5	31100ZE1010	FLYWHEEL	1	
5	31100ZE1810	FLYWHEEL (LAMP)	1	
8	90201878003	NUT, SPECIAL (14MM)	1	

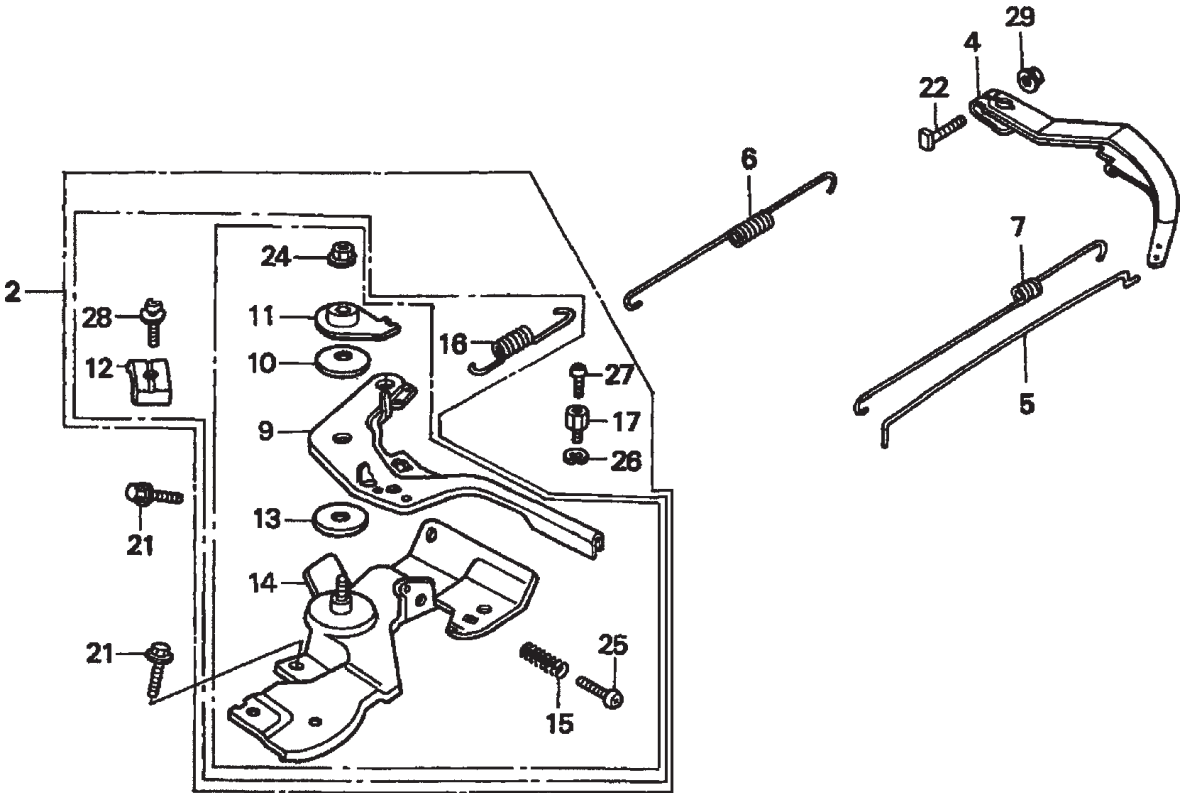
IGNITION COIL ASSY.



IGNITION COIL ASSY.

<u>NO.</u>	<u>PART NO.</u>	<u>PART NAME</u>	<u>QTY.</u>	<u>REMARKS</u>
1	30500ZE1033	COIL ASSY., IGNITION	1	
2	30700ZE1013	CAP ASSY., NOISE SUPPRESSOR	1	
7	36101ZE1010	WIRE, STOP SWITCH (370MM)	1	
11	90121952000	BOLT, FLANGE (6 X 25)	2	

CONTROL ASSY.



CONTROL ASSY.

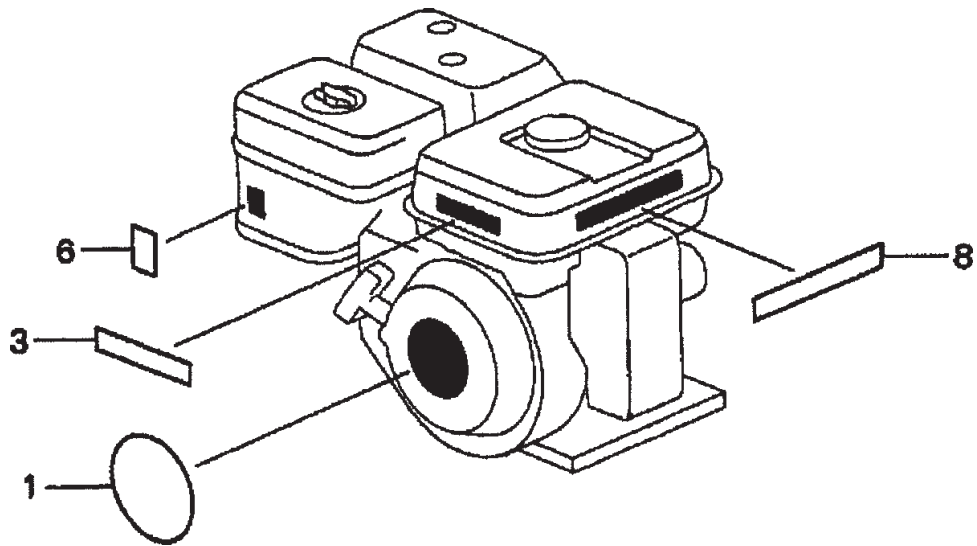
<u>NO.</u>	<u>PART NO.</u>	<u>PART NAME</u>	<u>QTY.</u>	<u>REMARKS</u>
2	16500ZH8813	CONTROL ASSY.....	1 INCLUDES ITEMS W/*
4	16551ZE0010	ARM, GOVERNOR	1	
5	16555ZE1000	ROD, GOVERNOR	1	
6	16561ZE1020	SPRING, GOVERNOR	1	
7	16562ZE1020	SPRING, THROTTLE RETURN	1	
9*	16571ZH8020	LEVER CONTROL	1	
10*	16574ZE1000	SPRING LEVER	1	
11*	16575ZH8000	WASHER, CONTROL LEVER	1	
12*	16576891000	HOLDER, CABLE	1	
13*	16578ZE1000	SPACER, CONTROL LEVER	1	
14*	16580ZH8813	BASE CONTROL	1	
15*	16584883300	SPRING, CONTROL ADJUSTING	1	
16*	16592ZE1810	SPRING, CABLE RETURN	1	
17*	16594883010	HOLDER, WIRE	1	
21	90013883000	BOLT, FLANGE (6 X 12) (CT200)	2	
22	90015ZE5010	BOLT, GOVERNOR ARM	1	
24*	90114SA0000	NUT, SELF-LOCK (6MM)	1	
25*	93500050250H	SCREW, PAN (5 X 25)	1	
26*	90605230000	CIRCLIP	1	
27*	93500040060H	SCREW, PAN (5 X 25)	1	
28*	93500050160A	SCREW, PAN (5 X 16)	1	
29	9405006000	NUT, FLANGE (6MM)	1	

NO ARTWORK AVAILABLE

GASKET KIT ASSY.

<u>NO.</u>	<u>PART NO.</u>	<u>PART NAME</u>	<u>QTY.</u>	<u>REMARKS</u>
1	06111ZH8405	GASKET KIT	1	INCLUDES ITEMS W/*
2*	11381ZH8801	GASKET, CASE COVER	1	
3*	12251ZF1800	GASKET, CYLINDER HEAD	1	
4*	12391ZE1000	GASKET, CYLINDER HEAD COVER	1	
5*	16212ZH8800	GASKET, INSULATOR	1	
6*	16221ZH8801	GASKET, CARBURETOR	1	
7*	18381ZH8800	GASKET, MUFFLER	1	

LABELS ASSY.



LABELS ASSY.

<u>NO.</u>	<u>PART NO.</u>	<u>PART NAME</u>	<u>QTY.</u>	<u>REMARKS</u>
1	87521ZH8020	EMBLEM (5.5)	1	
3	87522zh9010	LABEL, CAUTION	1	
6	87528ZE1810	MARK, CHOKE	1	
8	87532ZH8810	MARK, OIL ALERT (E)	1	

PARTS MANUAL

HERE'S HOW TO GET HELP

PLEASE HAVE THE MODEL AND SERIAL
NUMBER ON-HAND WHEN CALLING

UNITED STATES

Multiquip Inc.

(310) 537- 3700
6141 Katella Avenue Suite 200
Cypress, CA 90630
E-MAIL: mq@multiquip.com
WEBSITE: www.multiquip.com

CANADA

Multiquip

(450) 625-2244
4110 Industriel Boul.
Laval, Quebec, Canada H7L 6V3
E-MAIL: infocanada@multiquip.com

UNITED KINGDOM

Multiquip (UK) Limited Head Office

0161 339 2223
Unit 2, Northpoint Industrial Estate,
Globe Lane,
Dukinfield, Cheshire SK16 4UJ
E-MAIL: sales@multiquip.co.uk

© COPYRIGHT 2020, MULTIQUIP INC.

Multiquip Inc, the MQ logo are registered trademarks of Multiquip Inc. and may not be used, reproduced, or altered without written permission. All other trademarks are the property of their respective owners and used with permission.

This manual MUST accompany the equipment at all times. This manual is considered a permanent part of the equipment and should remain with the unit if resold.

The information and specifications included in this publication were in effect at the time of approval for printing. Illustrations, descriptions, references and technical data contained in this manual are for guidance only and may not be considered as binding. Multiquip Inc. reserves the right to discontinue or change specifications, design or the information published in this publication at any time without notice and without incurring any obligations.

Your Local Dealer is:

