

PARTS MANUAL



Mikasa **SERIES**
MODEL MVC98D2
ONE-WAY PLATE COMPACTOR
(YANMAR L48V6 DIESEL ENGINE)

Revision #2 (07/13/20)

To find the latest revision of this publication or associated operation manual, visit our website at: www.multiquip.com



THIS MANUAL MUST ACCOMPANY THE EQUIPMENT AT ALL TIMES.

TABLE OF CONTENTS

MQ MIKASA SERIES MVC98D2 PLATE COMPACTOR

Table Of Contents	2
Explanation Of Code In Remarks Column	4
Suggested Spare Parts	5

COMPONENT DRAWINGS

Nameplate And Decals	6-7
Body Assembly	8-11
Vibration Assembly	12-13
Water Tank Assembly	14-15
Transport Wheel Assembly	16-17

NOTICE

Specification and part number are subject to change without notice.

YANMAR L48V6F3R4AAW4 ENGINE DRAWINGS

Cylinder Block Assembly	18-19
Cylinder Head Assembly	20-21
Air Cleaner Assembly	22-23
Muffler Assembly	24-25
Crankshaft and Camshaft Assembly	26-27
Piston Assembly	28-29
Lub. Oil Pump and Governor Assembly	30-31
Cooling and Starting Device Assembly	32-33
Fuel Injection Pump Assembly	34-35
Fuel Tank and Fuel Line Assembly	36-37
Tools, Labels and Gasket Set Assembly	38-39

EXPLANATION OF CODE IN REMARKS COLUMN

The following section explains the different symbols and remarks used in the Parts section of this manual. Use the help numbers found on the back page of the manual if there are any questions.

NOTICE

The contents and part numbers listed in the parts section are subject to change **without notice**. Multiquip does not guarantee the availability of the parts listed.

SAMPLE PARTS LIST

NO.	PART NO.	PART NAME	QTY.	REMARKS
1	12345	BOLT.....	1	INCLUDES ITEMS W/%
2%		WASHER, 1/4 IN.....		NOT SOLD SEPARATELY
2%	12347	WASHER, 3/8 IN....	1	MQ-45T ONLY
3	12348	HOSE		A/R ...MAKE LOCALLY
4	12349	BEARING	1	S/N 2345B AND ABOVE

NO. Column

Unique Symbols — All items with same unique symbol

(@, #, +, %, or >) in the number column belong to the same assembly or kit, which is indicated by a note in the “Remarks” column.

Duplicate Item Numbers — Duplicate numbers indicate multiple part numbers, which are in effect for the same general item, such as different size saw blade guards in use or a part that has been updated on newer versions of the same machine.

NOTICE

When ordering a part that has more than one item number listed, check the remarks column for help in determining the proper part to order.

PART NO. Column

Numbers Used — Part numbers can be indicated by a number, a blank entry, or TBD.

TBD (To Be Determined) is generally used to show a part that has not been assigned a formal part number at the time of publication.

A blank entry generally indicates that the item is not sold separately or is not sold by Multiquip. Other entries will be clarified in the “Remarks” Column.

QTY. Column

Numbers Used — Item quantity can be indicated by a number, a blank entry, or A/R.

A/R (As Required) is generally used for hoses or other parts that are sold in bulk and cut to length.

A blank entry generally indicates that the item is not sold separately. Other entries will be clarified in the “Remarks” Column.

REMARKS Column

Some of the most common notes found in the “Remarks” Column are listed below. Other additional notes needed to describe the item can also be shown.

Assembly/Kit — All items on the parts list with the same unique symbol will be included when this item is purchased.

Indicated by:

“INCLUDES ITEMS W/(unique symbol)”

Serial Number Break — Used to list an effective serial number range where a particular part is used.

Indicated by:

“S/N XXXXX AND BELOW”

“S/N XXXX AND ABOVE”

“S/N XXXX TO S/N XXX”

Specific Model Number Use — Indicates that the part is used only with the specific model number or model number variant listed. It can also be used to show a part is NOT used on a specific model or model number variant.

Indicated by:

“XXXXX ONLY”

“NOT USED ON XXXX”

“Make/Obtain Locally” — Indicates that the part can be purchased at any hardware shop or made out of available items. Examples include battery cables, shims, and certain washers and nuts.

“Not Sold Separately” — Indicates that an item cannot be purchased as a separate item and is either part of an assembly/kit that can be purchased, or is not available for sale through Multiquip.

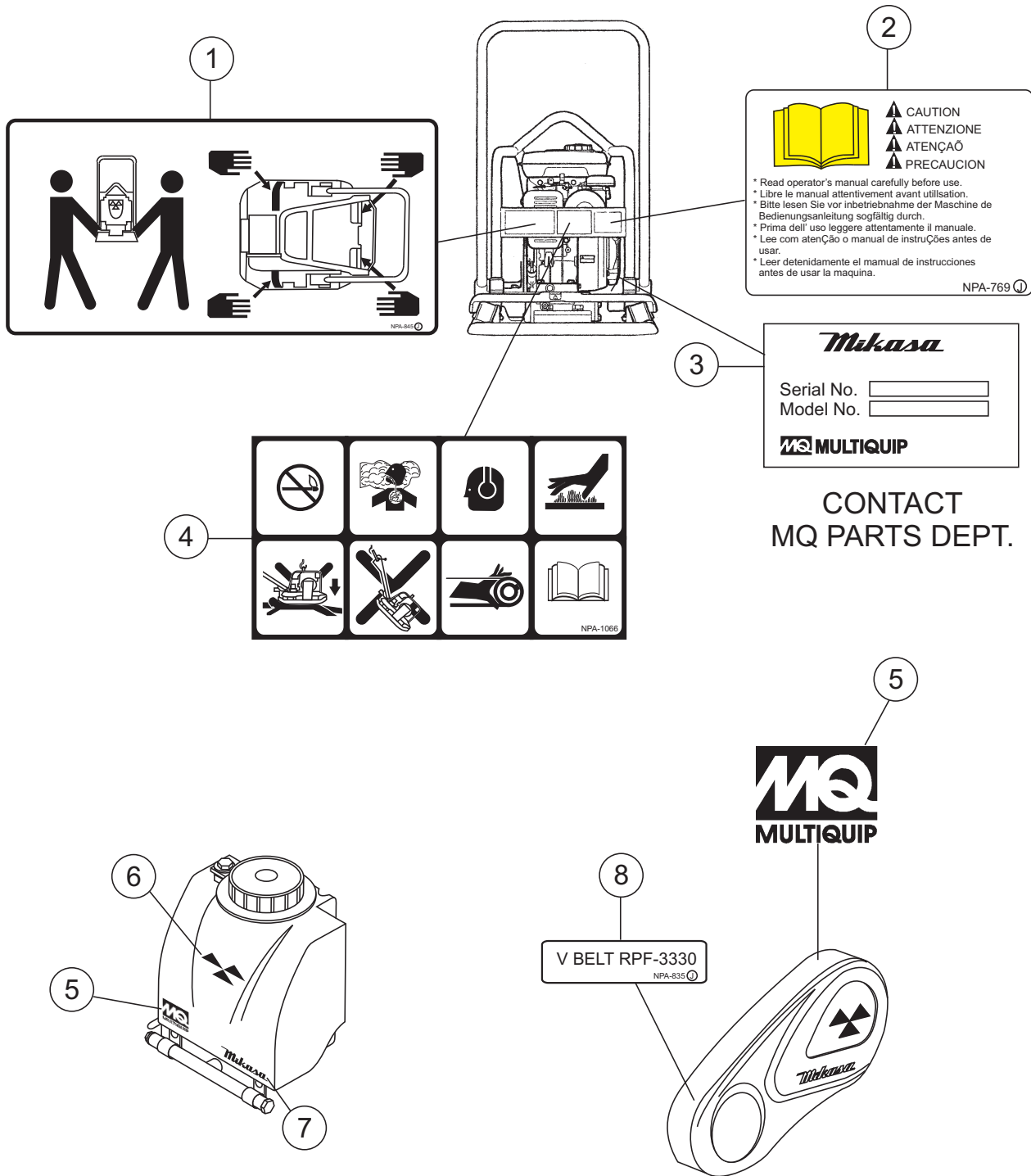
SUGGESTED SPARE PARTS

MQ MIKASA MVC98D2 PLATE COMPACTOR W/YANMAR L48V6 DIESEL ENGINE

1 to 3 Units

<u>Qty.</u>	<u>P/N</u>	<u>Description</u>
3	070100382	V-BELT A38 (BLUE)
2	956100050	THROTTLE WIRE
3	11465012590 ...	ELEMENT, A/C W/PRE-FILTER
1	11429955040 ...	CAP, FUEL TANK
1	11429976630 ...	ROPE, RECOIL STARTER
2	11429935110 ...	LUB. OIL FILTER COMPLETE
2	11425055121 ...	FILTER, FUEL STAINER
1	11429955100 ...	FILTER, FUEL OIL
4	939010230	SOCK ABSORBER

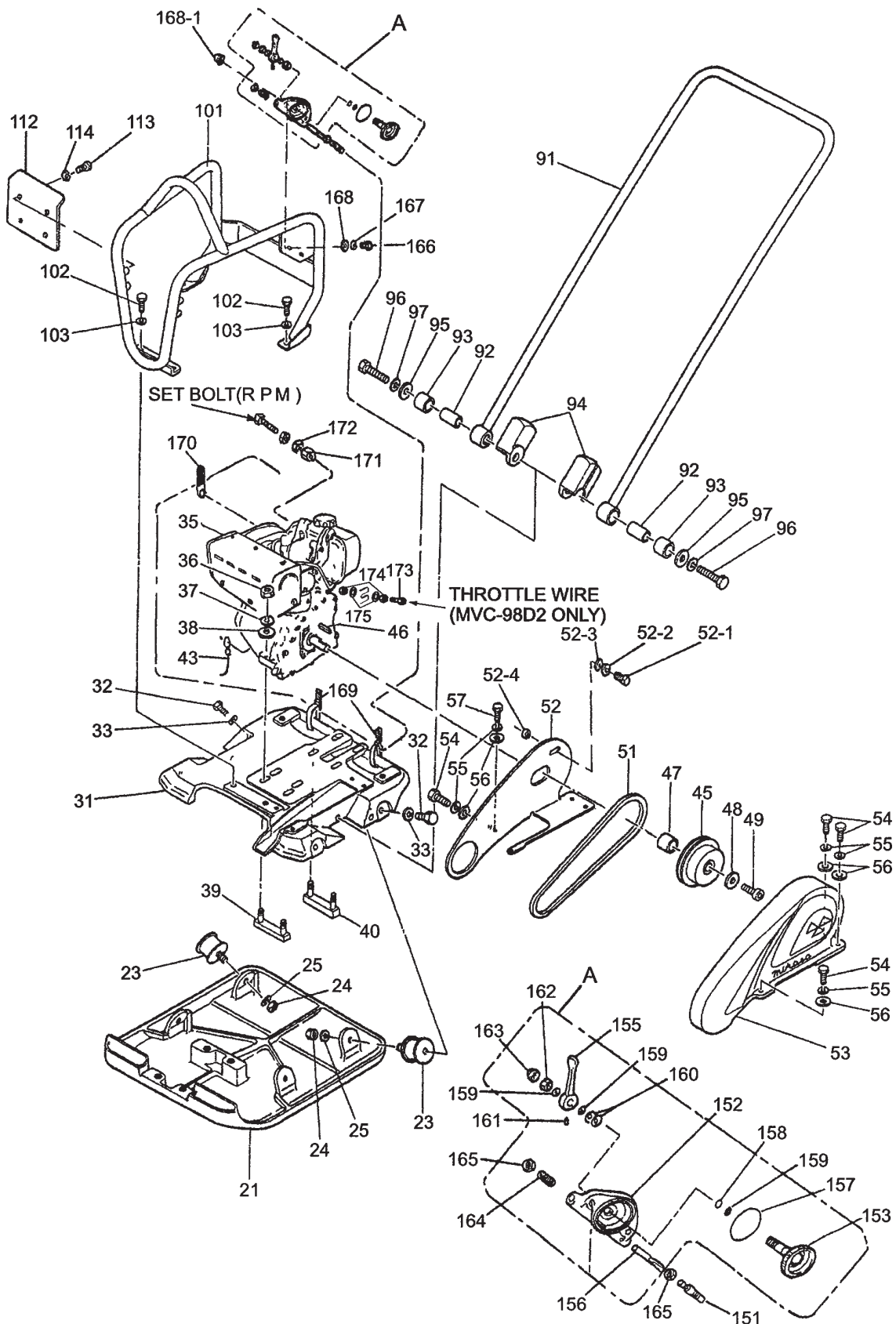
NAMEPLATE AND DECALS ASSY.



NAMEPLATE AND DECALS ASSY.

<u>NO.</u>	<u>PART NO.</u>	<u>PART NAME</u>	<u>QTY.</u>	<u>REMARKS</u>
1	920208450	DECAL, LIFTING POSITION	1	NPA-845
2	920207690	DECAL, CAUTION (MANUAL)	1	NPA-769
3		PLATE, SERIAL NO	1	CONTACT MQ PARTS DEPT.
4	920210660	DECAL, DANGER-CAUTION	1	NPA-106
5	920201580	DECAL, MQ LOGO	2	NPA-158
6	920101410	DECAL, MIKASA LOGO (TRIANGLE)	1	NPA-141
7	920105070	DECAL, MIKASA LOGO (NAME)	1	NPA-507
8	920208350	DECAL, V BELT RPF3330	1	NPA-835

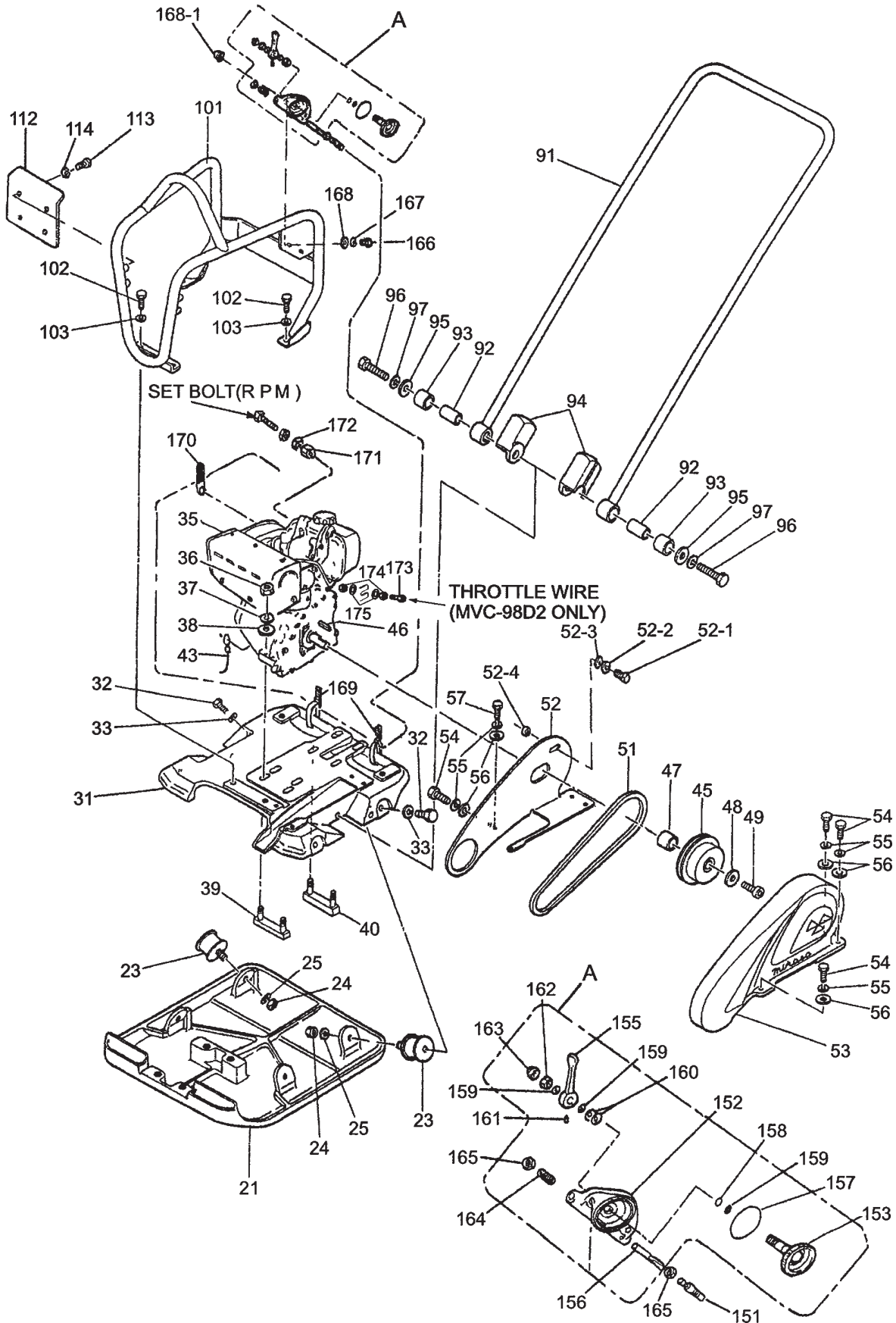
BODY ASSY.



BODY ASSY.

<u>NO.</u>	<u>PART NO.</u>	<u>PART NAME</u>	<u>QTY.</u>	<u>REMARKS</u>
21	416115973	VIBRATING PLATE	1	
23	939010230	SHOCK ABSORBER 50D- 45H	4	
24	020310080	NUT M10	4	
25	030210250	WASHER, LOCK M10	4	
31	416115980	BASE	1	
32	001221025	BOLT 10 X 25 T	4	
33	030210250	WASHER, LOCK M10	4	
35	914410024	ENGINE ASSY. L48V6F3R4AAW4	1	
36	020310080	NUT M10	4	
37	030210250	WASHER, LOCK M10	4	
38	031110160	WASHER, FLAT M10	4	
39	416456700	ENGINE PLATE /FR (W BOLT)	1	
40	416456710	ENGINE PLATE /RE (W BOLT)	1	
43	959404350	EARTH WIRE	1	
45	458337770	CLUTCH ASSY. A1- 124- 20	1	
46	0320050150	KEY	1	
47	416452760	COLLAR 20- 25- 15.6	1	
48	458451380	CLUTCH /WASHER	1	
49	001520825	SOCKET HEAD BOLT 8 X 25 T	1	
51	070100382	V- BELT A- 38 (BLUE)	1	
52	416216390	BELT COVER (INSIDE)	1	
52-1	001220825	BOLT 8 X 25 T	1	
52-2	030208200	WASHER, LOCK M8	1	
52-3	031108160	WASHER, FLAT M8	1	
52-4	952407100	WASHER 9 X 25 6	1	
53	416117760	BELT COVER	1	
54	001220825	BOLT 8 X 25 T	4	
55	030208200	WASHER, LOCK M8	5	
56	031108160	WASHER, FLAT M8	5	
57	001220820	BOLT 8 X 20 T	1	
91	416115930	HANDLE	1	
92	416452730	COLLAR 13- 20- 44	2	
93	404433430	RUBBER 20 X 32 X 28.5	2	
94	416452360	HANDLE STOPPER	2	
95	952405600	WASHER 12.5 X 35 X 4.5	2	
96	001221253	BOLT 12X65 T	2	
97	030212300	WASHER, LOCK M12	2	
101	416117520	GUARD HOOK	1	
102	001221025	BOLT 10 X 25 T	4	
103	030210250	WASHER, LOCK M10	4	
112	416342980	MUFFLER GUARD	1	
113	001220820	BOLT 8 X 20 T	4	
114	030208200	WASHER, LOCK M8	4	

BODY ASSY.

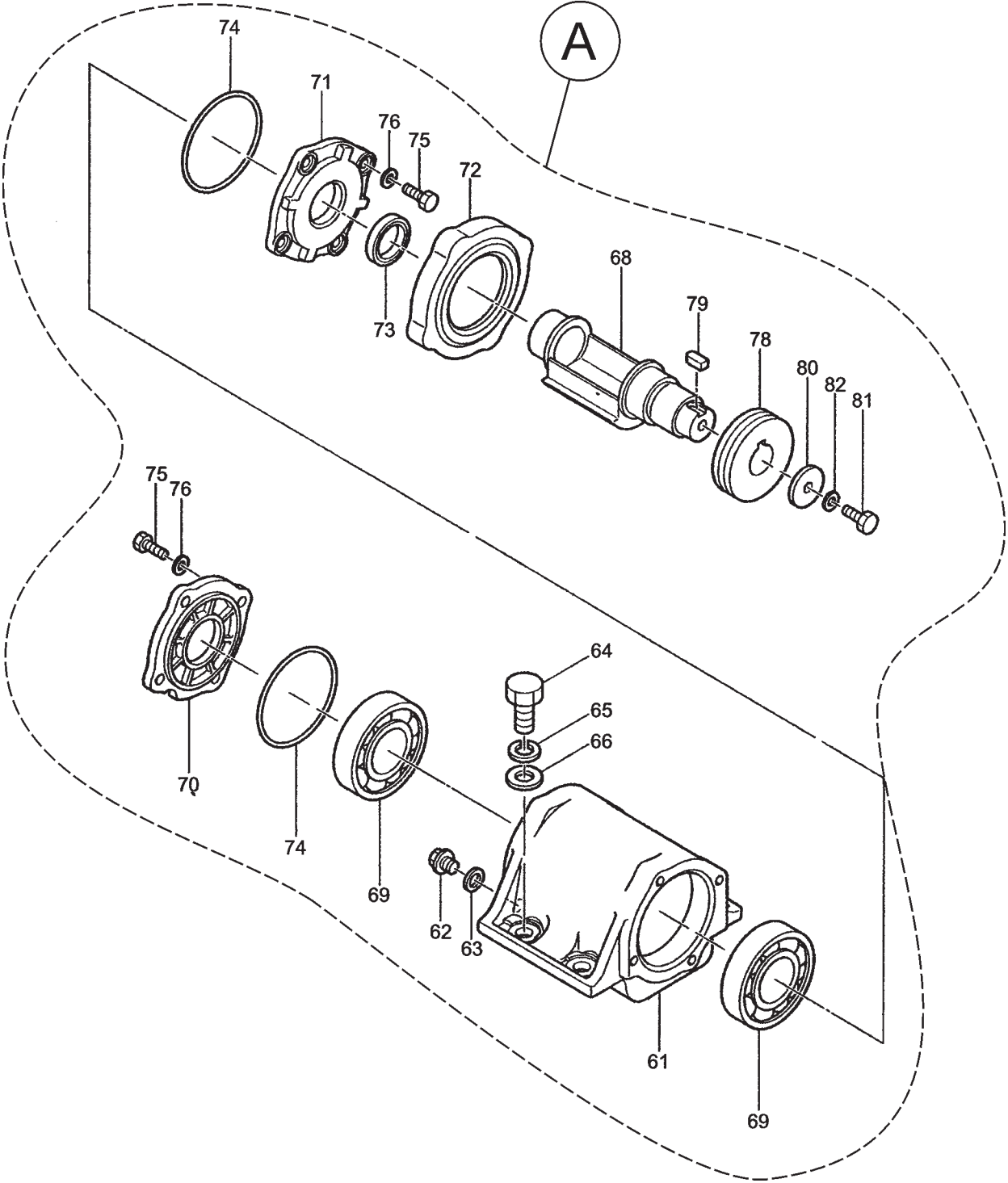


BODY ASSY.

CONTINUED

<u>NO.</u>	<u>PART NO.</u>	<u>PART NAME</u>	<u>QTY.</u>	<u>REMARKS</u>
A	362910060	THROTTLE LEVER ASSY.	1	INCLUDES ITEMS W/*
151	956100050	THROTTLE WIRE 845- 1010	1	
152*	362341550	THROTTLE BODY	1	
153*	362910090	THROTTLE GEAR CP, W/BOLT	1	
155*	362455630	THROTTLE LEVER	1	
156	362455620	SLIDER	1	
157*	050100450	O- RING G- 45	1	
158*	050200100	O- RING P- 10	1	
159*	031110160	WASHER, FLAT M10	3	
160*	032110180	CONICAL SPRING WASHER M10	2	
161*	096206006	SOCKET HEAD SCREW 6X6	1	
162*	020410060	NUT M10, H=6	1	
163*	022131008	CAP NUT M10	1	
164*	*096208020	SOCKET HEAD SCREW 8X20	1	
165*	020408050	NUT M8, H=5	1	
166	001220620	BOLT 6X20 T	2	
167	030206150	WASHER, LOCK M6	2	
168	031106100	WASHER, FLAT M6	2	
168-1	022130605	CAP NUT M6	2	
169	511010040	CLAMP TC- 300	3	
170	954406820	CLAMP CORD	1	
171	959406800	NUT M6, SPECIAL- L10	1	
172	020306050	NUT M6	1	
173	10210067080	ADJUSTING BOLT	1	
174	020306050	NUT M6	2	
175	952401690	WASHER 7173	2	

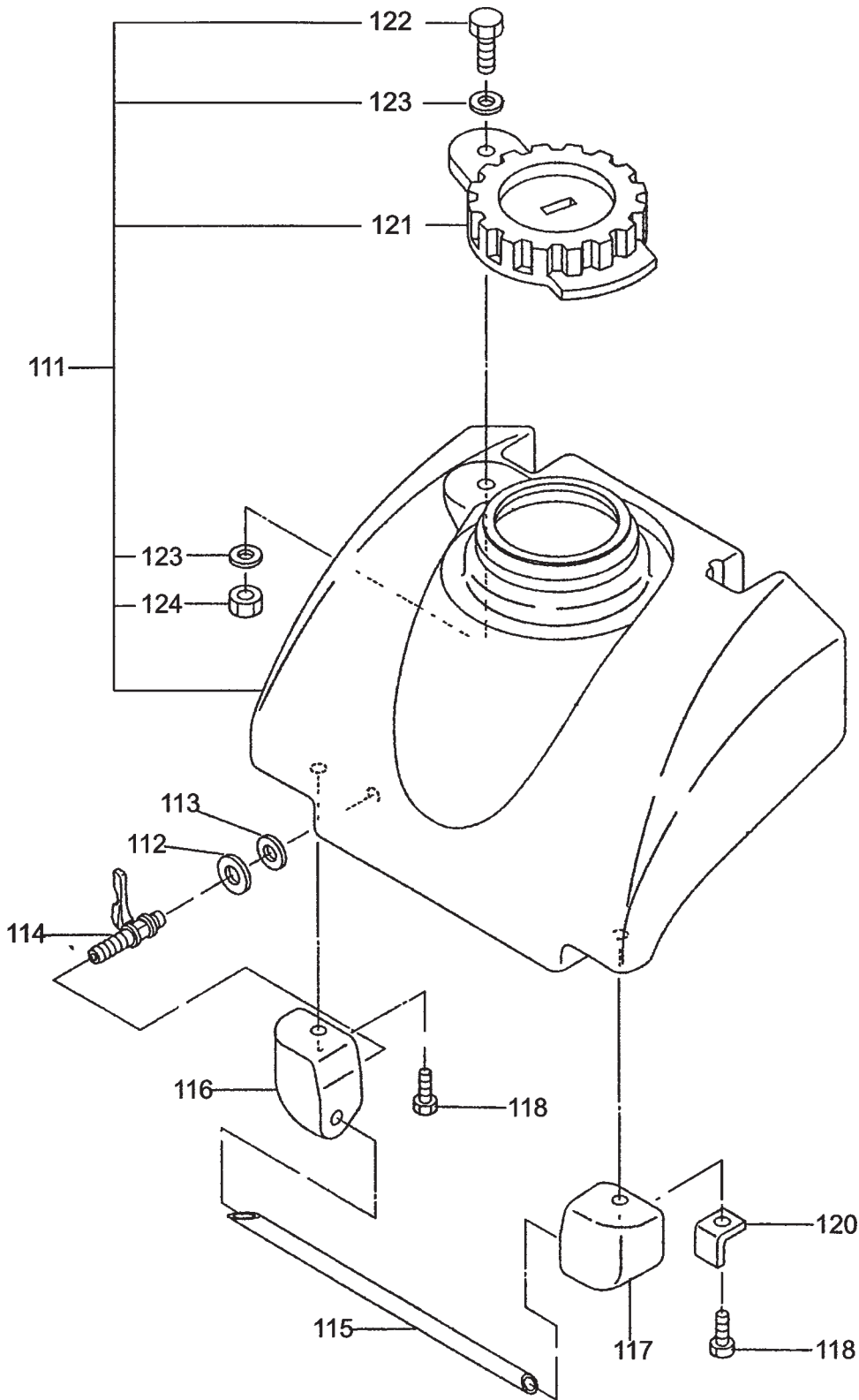
VIBRATION ASSY.



VIBRATION ASSY.

<u>NO.</u>	<u>PART NO.</u>	<u>PART NAME</u>	<u>QTY.</u>	<u>REMARKS</u>
A	416910030	VIBRATOR ASSY.	1	INCLUDES ITEMS W/*
61*	416115991	VIBRATING CASE	1	
62*	953400170	PLUG 1/4" X 14 10L	1	
63*	953405260	PACKING 1/4 (CU)	1	
64*	001221640	BOLT 16 X 40 T	4	
65*	939216499	WASHER, LOCK M16	4	
66*	031116260	WASHER, FLAT M16	4	
68*	416215530	ECCENTRIC ROTATOR	1	
69*	040406211	BEARING 6211C4	2	
70*	416338900	CASE COVER (R)	1	
71*	416338910	CASE COVER (L)	1	
72*	416338920	BELT COVER GUARD	1	
73*	060803060	OIL SEAL TC- 35488	1	
74*	050101000	O- RING G-100	2	
75*	001220825	BOLT 8X25 T	8	
76*	030208200	WASHER, LOCK M8	8	
78*	416454430	PULLEY A1- 28- 81- 20	1	
79*	951405240	KEY 7X7X19 R	1	
80*	952404250	WASHER 11 X 40X 4	1	
81*	001221025	BOLT 10X25 T	1	
82*	030210250	WASHER, LOCK M10	1	

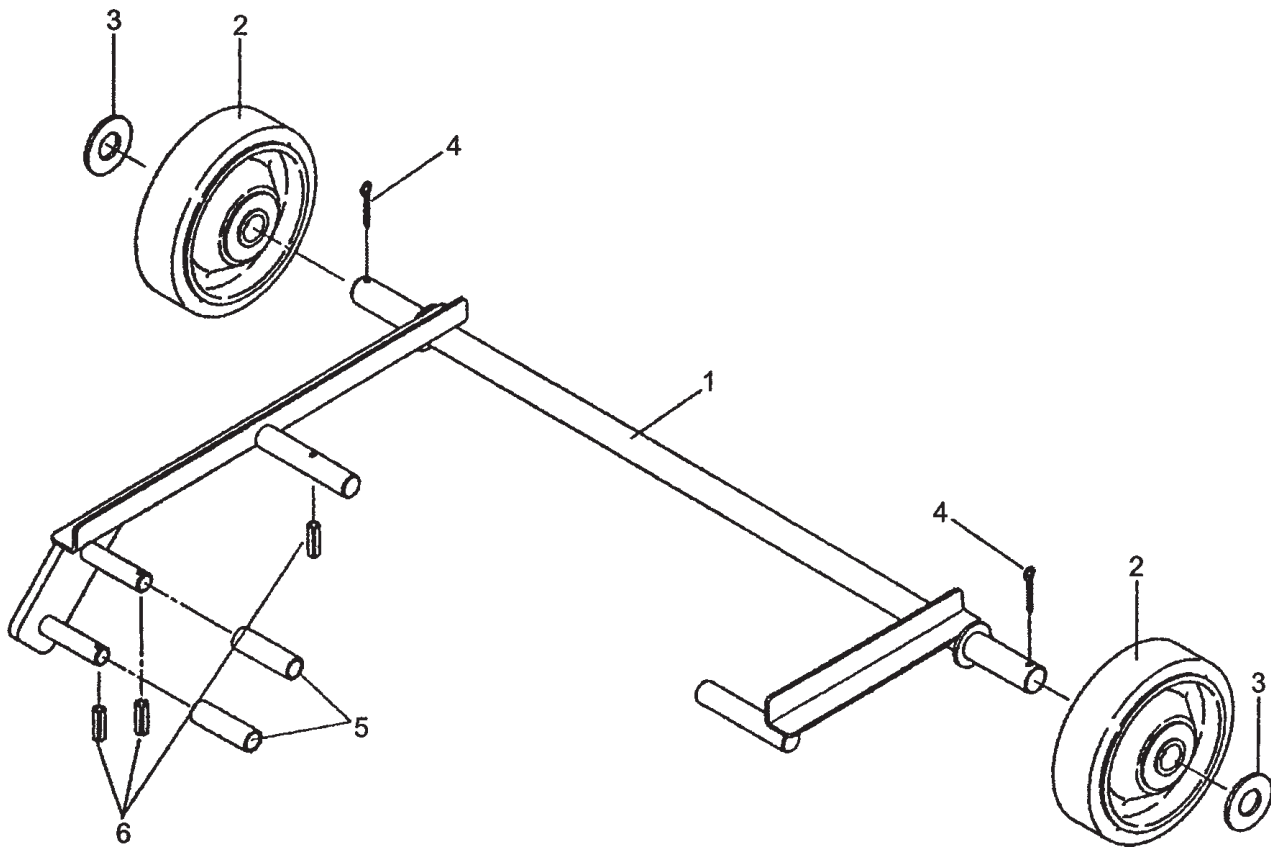
WATER TANK ASSY.



WATER TANK ASSY.

<u>NO.</u>	<u>PART NO.</u>	<u>PART NAME</u>	<u>QTY.</u>	<u>REMARKS</u>
111	416910010	WATER TANK ASSY. (ORANGE)	1	INCLUDES ITEMS W/*
112	033910050	WASHER 14.5 X 30 X 1.6	1	
113	953406390	PACKING 13 X 28 X 2		
114	954403241	COCK PT1/4", BH-1211 (AL)	1	
115	416338930	SPRINKLING PIPE	1	
116	416338940	PIPE HOLDER (L)	1	
117	416452750	PIPE HOLDER (R)	1	
118	001740825	FLANGE BOLT 8X25 (SUS)	2	
120	416452790	PIPE HOLDER STAY	1	
121*	954300342	WATER TANK CAP (NBR)	1	
122*	001241030	BOLT 10X30 U	1	
123*	033910010	WASHER 10.5 X 21 X 2 (SUS)	2	
124*	022910180	NYLON NUT M10 (SUS)	1	

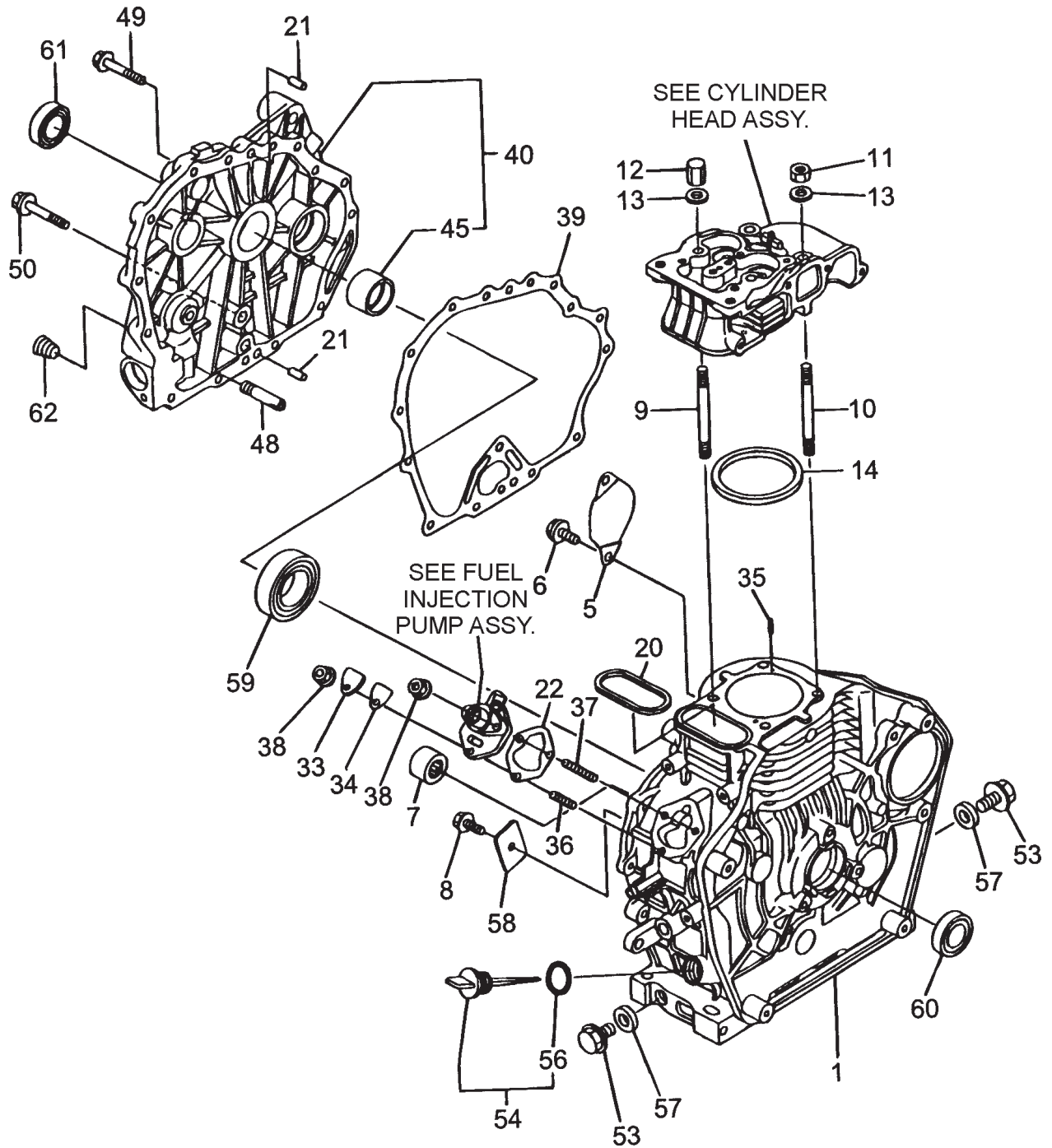
TRANSPORT WHEEL ASSY.



TRANSPORT WHEEL ASSY.

<u>NO.</u>	<u>PART NO.</u>	<u>PART NAME</u>	<u>QTY.</u>	<u>REMARKS</u>
1	416116160	WHEEL SHAFT	1	
2	959404310	WHEEL 150X42	2	
3	031120320	WASHER, FLAT M20	2	
4	025203030	SPLIT COTTER PIN 3X30	2	
5	416454150	ROLLER	2	
6	025403025	SPRING PIN 3X25	3	

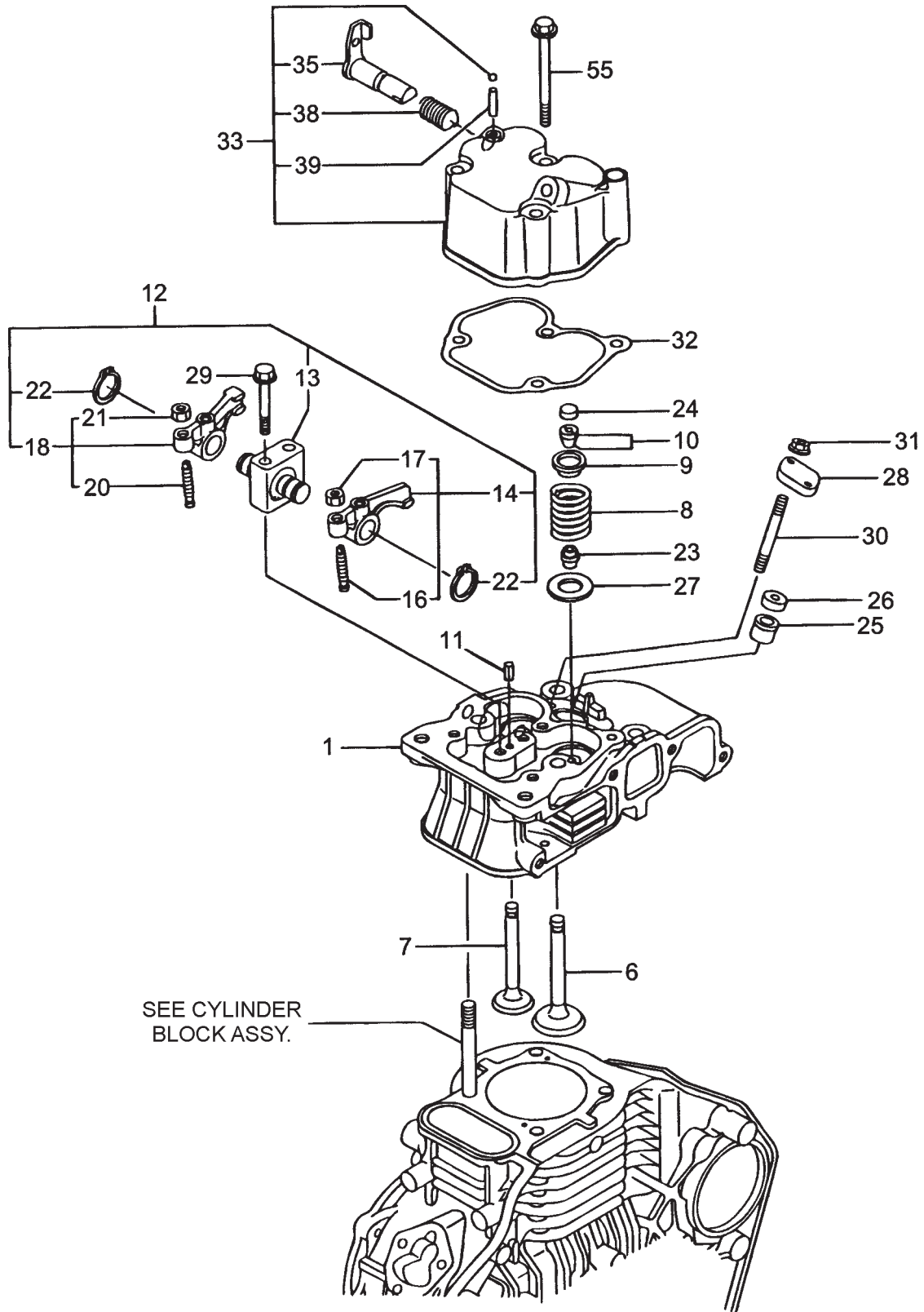
CYLINDER BLOCK ASSY.



CYLINDER BLOCK ASSY.

<u>NO.</u>	<u>PART NO.</u>	<u>PART NAME</u>	<u>QTY.</u>	<u>REMARKS</u>
1	11429501050	CYLINDER BLOCK ASSY.	1	
5	11439901700	STARTER COVER	1	
6	26106100122	BOLT M10X 12 PLATED	2	
7	24162152112	NEEDLE BEARING	1	
8	26106080122	BOLT M 8X 12 PLATED	1	
9	11429901200	CYLINDER HEAD BOLT A	2	
10	11429901210	CYLINDER HEAD BOLT B	2	
11	11429901220	CYLINDER HEAD NUT A	2	
12	11429901230	CYLINDER HEAD NUT B	2	
13	12495001250	WASHER	4	
14	11429501330	CYLINDER HEAD GASKET ASSY.	1	
20	11429901380	O- RING	1	
21	11429901600	PIN 8X12	2	
22	11429901800	SHIM SET	1	
33	11429901830	COVER, (FO PUMP)	1	
34	11425001841	GASKET	1	
35	22312040080	PIN 4X8 STRAIGHT	2	
36	26226060182	STUD M 6X 18 PLATED	1	
37	26226060222	STUD M 6X 22 PLATED	2	
38	26366060002	NUT M 6	3	
39	11429901410	CRANK CASE GASKET	1	
40	11428401452	CRANK CASE COVER	1	INCLUDES ITEMS W/*
45*	11425002100	MAIN BEARING US=STD.	1	
45	11425002200	BEARING US=0.25, MAIN	1	
45	11425002210	BEARING US=0.50, MAIN	1	
48	11429935150	L.O. INLET PIPE	1	
49	26106060252	BOLT M 6X 25 PLATED	14	
50	26106080352	BOLT M 8X 35 PLATED	1	
53	11429901690	PLUG M16	2	
54	11429901760	CAP, W/LUBE OIL GAUGE	1	INCLUDES ITEMS W/#
56#	11429901950	O- RING	1	
57	22190160002	SEAL WASHER 16S	2	
58	11429902030	RETAINER	1	
59	11425002113	BALL BEARING	1	
60	11429902220	OIL SEAL	1	
61	16021002220	OIL SEAL	1	
62	23876010000	PLUG PT 1/8, SCREW	1	

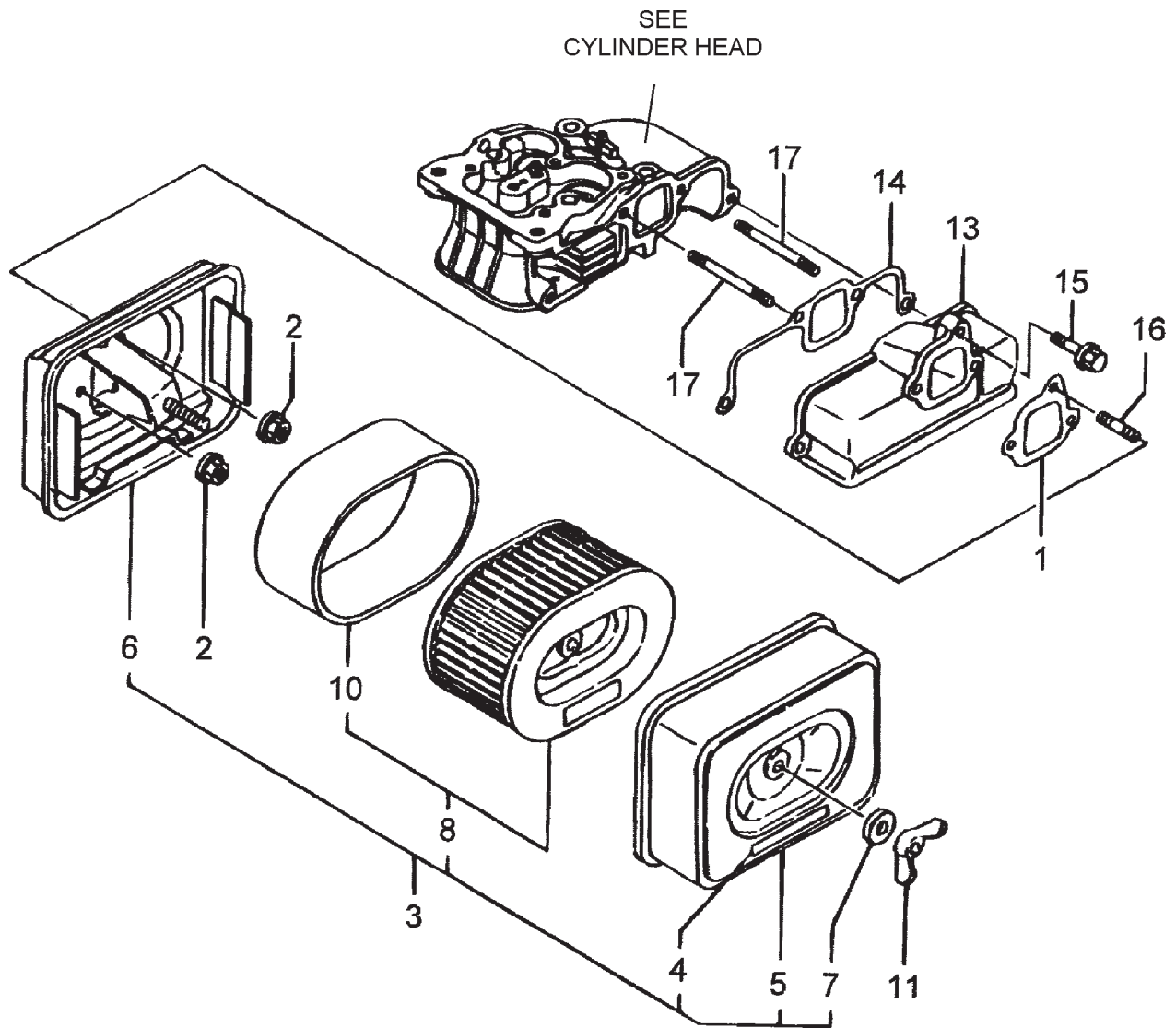
CYLINDER HEAD ASSY.



CYLINDER HEAD ASSY.

<u>NO.</u>	<u>PART NO.</u>	<u>PART NAME</u>	<u>QTY.</u>	<u>REMARKS</u>
1	11477111020	CYLINDER HEAD	1	
6	11477111100	SUCTION VALVE	1	
7	11477111110	EXHAUST VALVE	1	
8	11429911120	VALVE SPRING	2	
9	1142511180	SPRING RETAINER	2	
10	27310055001	COTTER	2	
11	22351040008	SPRING PIN 4X8	1	
12	11477111250	ARM SUPPORT CAM	1	INCLUDES ITEMS W/*
13*	11477111260	ROCKER ARM SUPPORT	1	
14*	11477111650	INTAKE ARM ASSY.	1	INCLUDES ITEMS W/%
16%	11425011240	VALVE ADJUST. SCREW	1	
17%	26856060002	LOCK NUT 6	1	
18*	11477111660	EXHAUST ARM ASSY.	1	INCLUDES ITEMS W/\$
20\$	11425011240	VALVE ADJUST. SCREW	1	
21\$	26856060002	LOCK NUT 6	1	
22*	22242000120	CIR CLIP 12	2	
23	11425011340	VALVE STEM SEAR	2	
24	11926011370	VALVE CAP	2	
25	11477111461	NOZZLE GASKET	1	
26	11429511470	NOZZLE SPACER	1	
27	11429911600	VALVE SPRING WASHER	2	
28	11429911901	NOZZLE RETAINER	1	
29	26106060452	BOLT M 6X45 PLATED	2	
30	11471811910	STUD BOLT M6X65	2	
31	26366060002	NUT M 6	2	
32	11477111310	BONNET GASKET	1	
33	11429511951	BONNET COMPLETE	1	INCLUDES ITEMS W/#
35#	11425003591	SHAFT ASSY. DECOMP.	1	
38#	11429903640	SPRING, DECOMP.	1	
39#	22312030160	PARALLEL PIN 3X16	1	
55	26106060552	BOLT M 6X 55 PLATED	3	

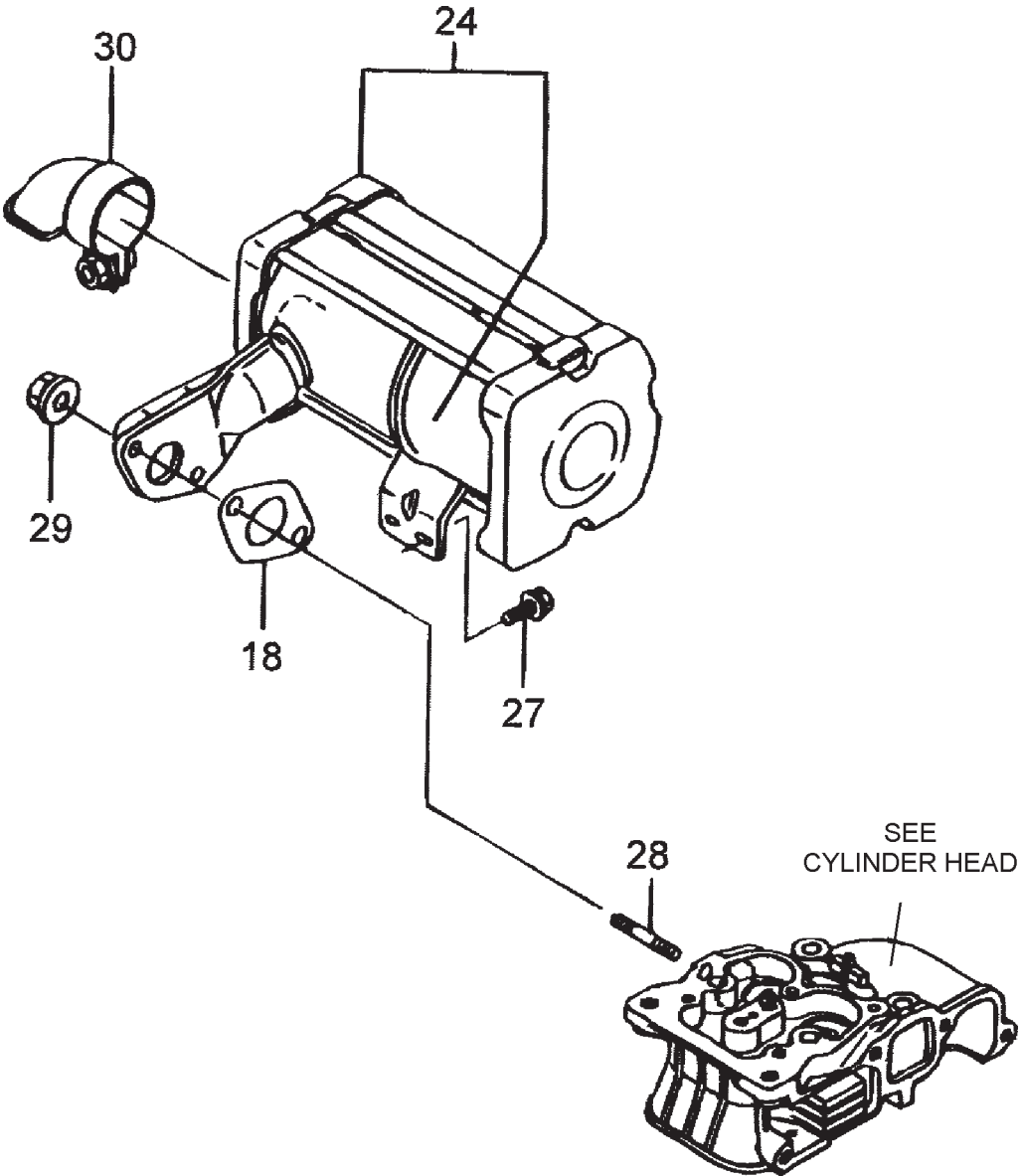
AIR CLEANER ASSY.



AIR CLEANER ASSY.

<u>NO.</u>	<u>PART NO.</u>	<u>PART NAME</u>	<u>QTY.</u>	<u>REMARKS</u>
1	11429912210	GASKET, AIR CLEANER	1	
2	11429912300	U- NUT	3	
3	11428812511	CLEANER, AIR ASSY.	1	INCLUDES ITEMS W/*
4*	11465007450	LABEL, AIR CLEANER	1	
5*	11428812520	COVER COMPL.	1	
6*	11428812532	CASE, AIR CLEANER	1	
7*	11425212560	SEAL WASHER M8	1	
8*	11465012590	ELEMENT W/ PRE- FILTER.....	1	INCLUDES ITEMS W/\$
10*\$	11465012550	PRE- FILTER	1	
11	11425212550	WING NUT M8		
13	11477112010	INTAKE MANIFOLD	1	
14	11477112200	AIR INTAKE GASKET	1	
15	26106060252	BOLT M 6X 25 PLATED	2	
16	26226060142	STUD M 6X14 PLATED	1	
17	26226060552	STUD M 6X 55	2	

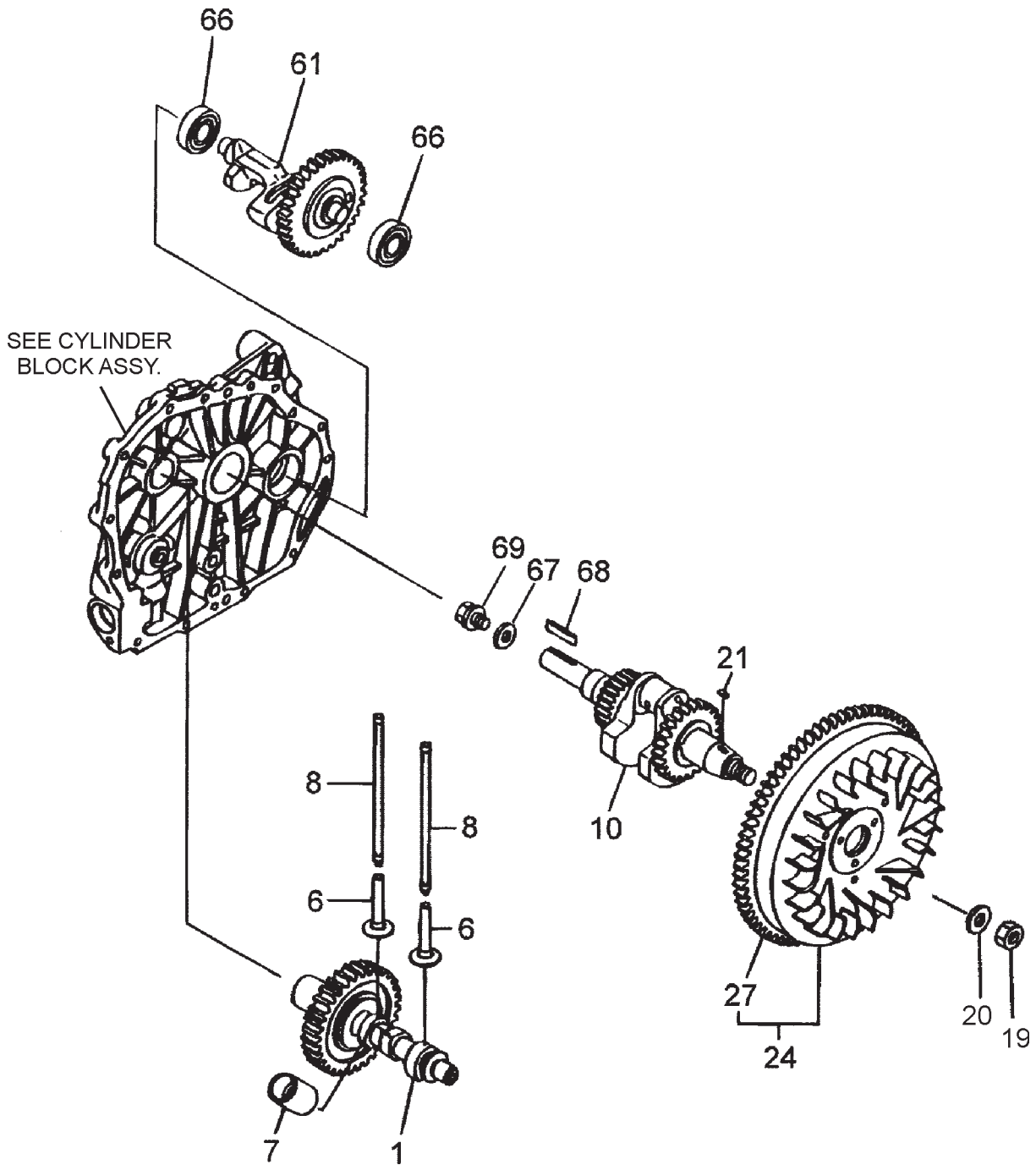
MUFFLER ASSY.



MUFFLER ASSY.

<u>NO.</u>	<u>PART NO.</u>	<u>PART NAME</u>	<u>QTY.</u>	<u>REMARKS</u>
18	11429913200	MUFFLER GASKET	1	
24	11428813500	MUFFLER ASSY.	1	
27	26106060142	BOLT M6X14 PLATED	2	
28	26216080182	STUD M 8X 18 PLATED	2	
29	26366080002	NUT M 8	2	
30	11429913800	EXHAUST DEFLECTOR	1	

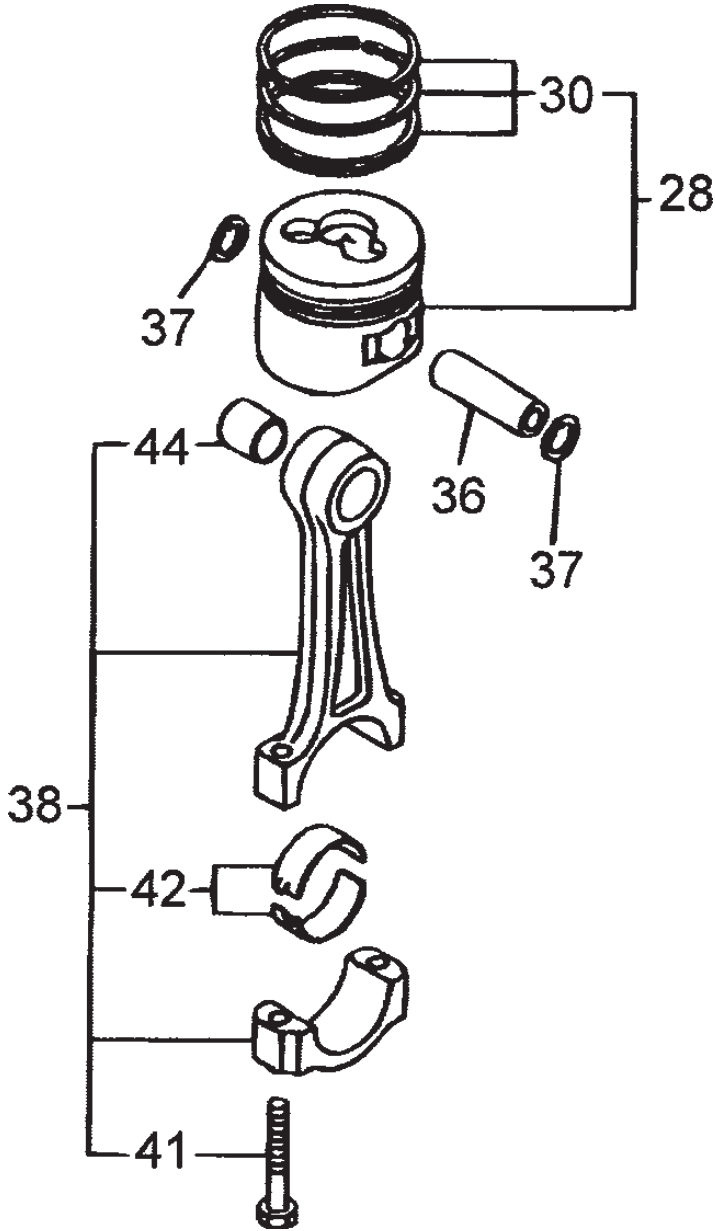
CRANKSHAFT AND CAMSHAFT ASSY.



CRANKSHAFT AND CAMSHAFT ASSY.

<u>NO.</u>	<u>PART NO.</u>	<u>PART NAME</u>	<u>QTY.</u>	<u>REMARKS</u>
1	71429514580	CAMSHAFT (D) ASSY.	1	
6	11429914200	TAPPET	2	
7	11477114260	TAPPET, F.O.	1	
8	11425014451	PUSH ROD	2	
10	71477221701	CRANKSHAFT ASSY.	1	
19	11429921220	NUT	1	
20	11429921550	FLYWHEEL WASHER	1	
21	22512040120	KEY 4X 12	1	
24	11429921590	FLYWHEEL ASSY.	1	INCLUDES ITEMS W/*
27*	11426221600	RING GEAR	1	
61	71477028531	SHAFT ASSY. BEARING	1	
66	24101062020	BEARING 6202	2	
67	16031014550	WASHER	1	
68	22512050300	KEY 5X30	1	
69	26106080202	BOLT M8 X20 PLATED	1	

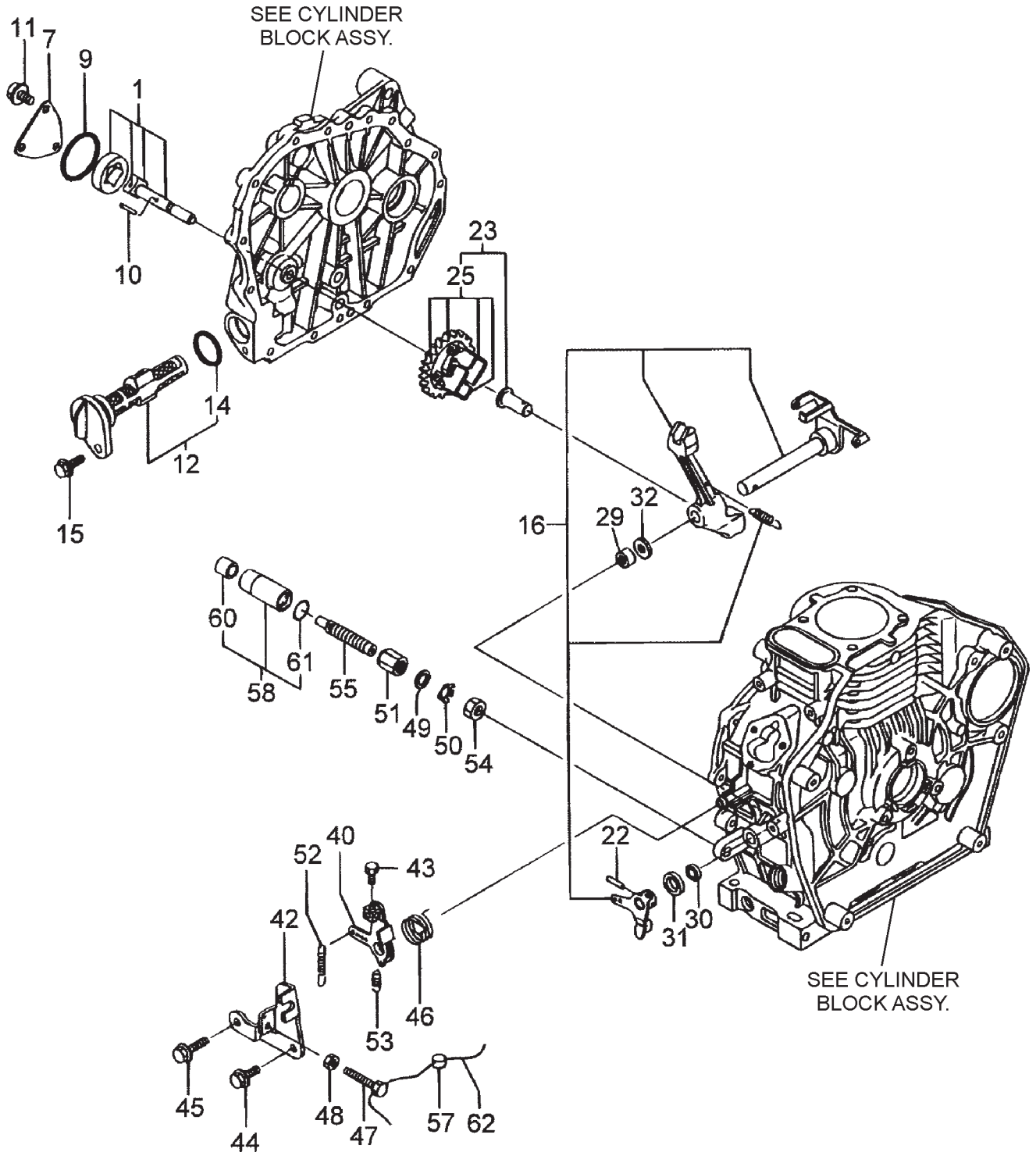
PISTON ASSY.



PISTON ASSY.

<u>NO.</u>	<u>PART NO.</u>	<u>PART NAME</u>	<u>QTY.</u>	<u>REMARKS</u>
28	71429522720	PISTON W/RINGS (D) STD.	1	INCLUDES ITEMS W/#
28	71429522620	PISTON W/RING OS=0.25	1	INCLUDES ITEMS W/#
28	71429522580	PISTON W/RING OS=0.50	1	INCLUDES ITEMS W/#
30#	71429522500	PISTON RING SET STD.	1	
30#	71429522540	PISTON RING SET OS=0.25	1	
30#	71429522550	PISTON RING SET OS=0.50	1	
36	11429922300	PISTON PIN	1	
37	22252000190	CIRCLIP 19	2	
38	71429923700	CONNECTING ROD ASSY.	1	INCLUDES ITEMS W/*
41*	11926523200	ROD BOLT	2	
42*	71477023600	CRANKPIN BEARING U.S=STD.	1	
42	71477023610	CRANKPIN BEARING U.S=0.25	1	
42	71477023620	CRANKPIN BEARING U.S=0.50	1	
44*	11477023100	PISTON PIN BUSH	1	

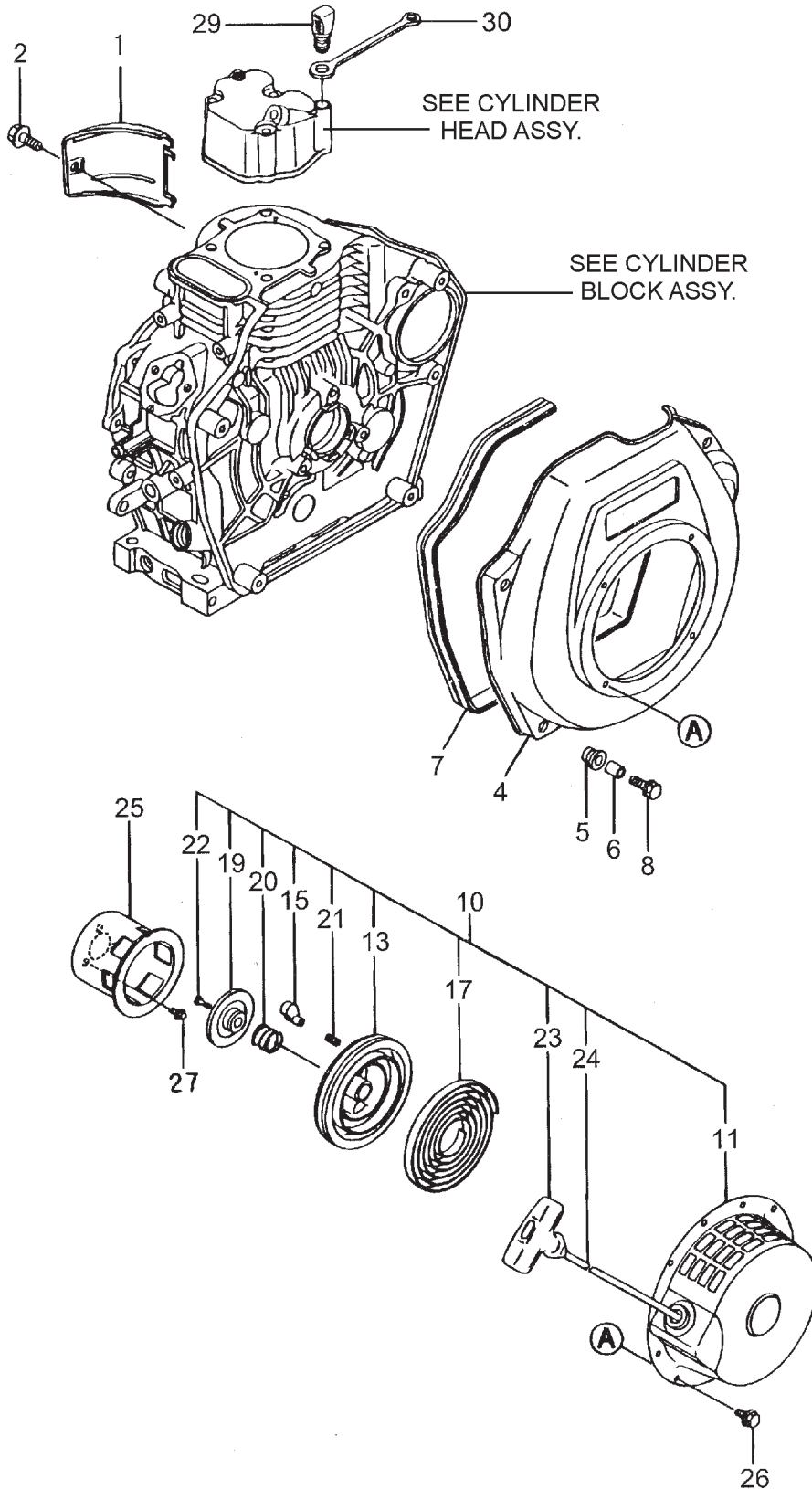
LUB. OIL PUMP AND GOVERNOR ASSY.



LUB. OIL PUMP AND GOVERNOR ASSY.

<u>NO.</u>	<u>PART NO.</u>	<u>PART NAME</u>	<u>QTY.</u>	<u>REMARKS</u>
1	11425032010	LUB. OIL PUMP ASSY.	1	
7	11429932070	LUB. OIL PUMP COVER	1	
9	11429932570	O- RING COVER	1	
10	22312030160	PARALLEL PIN 3X16	1	
11	26106060122	BOLT M 6X 12 PLATED	3	
12	11429935110	LUB. OIL FILTER COMPLETE	1	INCLUDES ITEM W/#
14#	24341000224	O- RING 1A S- 22.4	1	
15	26106060162	BOLT M 6X 16 PLATED	1	
16	11429561190	GOVERNOR LEVER ASSY.	1	
22	22322030200	TAPER PIN 3X20	1	
23	71477061100	GOVERNOR ASSY.	1	INCLUDES ITEM W/*
25*	11477061220	GOVERNOR WEIGHT ASSY.	1	
29	11477061520	NEEDLE BEARING	2	
30	11429961600	OIL SEAL	1	
31	11477061610	THRUST WASHER	1	
32	11429961190	GOVERNOR WASHER	1	
40	11425266051	REGULATOR HANDLE	1	
42	18336060202	REGULATOR BRACKET	1	
43	10522566990	SCREW	1	
44	26106060142	BOLT M 6X 14 PLATED	1	
45	26106060202	BOLT M6X20 PLATED	1	
46	11429966440	RETURN SPRING	1	
47	11429966440	ADJUSTING BOLT	1	
48	26757060002	LOCK NUT M 6 PLATED	2	
49	11477161810	PLAIN WASHER 14	1	
50	11477161830	PLATE	1	
51	11429561940	NUT	1	
52	11429966010	REGULATOR SPRING	1	
53	11429966200	RETURN SPRING	1	
54	11477166690	NUT M14	1	
55	11481866600	FUEL LIMITER ASSY.	1	
57	13521061090	LEAD	1	
58	11477161890	PROTECTOR CMP	1	INCLUDES ITEMS W/+
60+	11477161960	SPACER	1	
61+	24311000180	O- RING 1A P-18.0	1	
62	22451060000	WIRE 0.6	1	

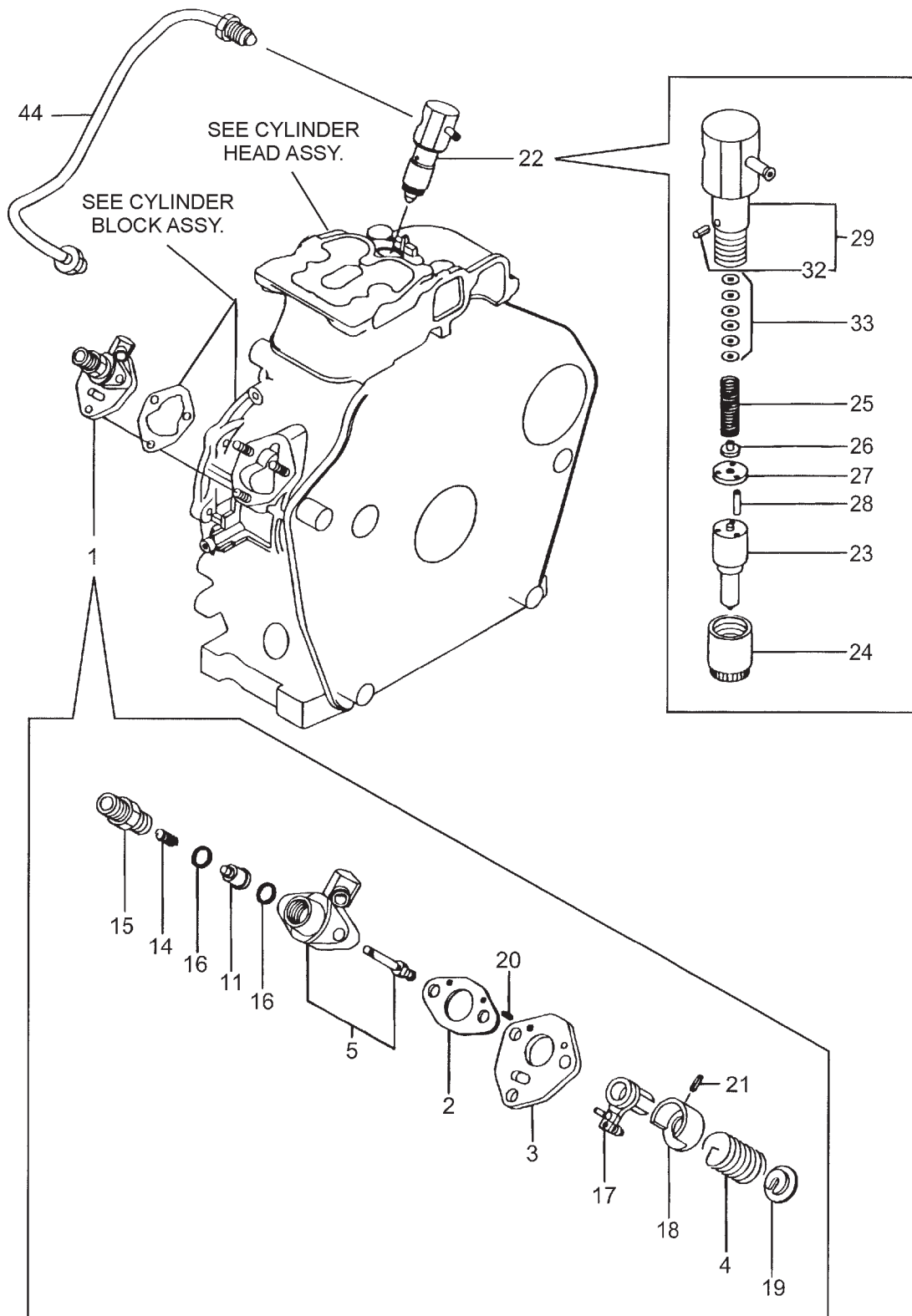
COOLING AND STARTING DEVICE ASSY.



COOLING AND STARTING DEVICE ASSY.

<u>NO.</u>	<u>PART NO.</u>	<u>PART NAME</u>	<u>QTY.</u>	<u>REMARKS</u>
1	11429945210	CYLINDER COVER	1	
2	26106060122	BOLT M 6X12 PLATED	1	
4	11429545100	COOLING FAN CASE	1	
5	11429945300	CUSHION RUBBER	4	
6	11429945310	FAN CASE COLLAR	4	
7	11429945330	FAN CASE SEAL	1	
8	11429945350	FAN CASE BOLT	4	
10	11429976250	RECOIL STARTER (D) ASSY.	1	INCLUDES ITEMS W/*
11*	11429976500	STARTER CASE	1	
13*	11429976520	REEL	1	
15*	11439976530	RATCHET	1	
17*	11439976540	SPIRAL SPRING	1	
19*	11439975550	RATCHET COVER	1	
20*	11439976560	SPRING	1	
21*	11439976570	RETURN SPRING	1	
22*	11439976580	SCREW	1	
23*	11439976620	STARTER KNOB	1	
24*	11429976630	STARTER ROPE	1	
25	11429976590	STARTER PULLEY	1	
26	26106060082	BOLT M 6X 8 PLATED	4	
27	26106060122	BOLT M6X 12 PLATED	3	
29	11429976600	PLUNGER	1	
30	11429976610	PLUNGER HOLDER	1	

FUEL INJECTION PUMP ASSY.



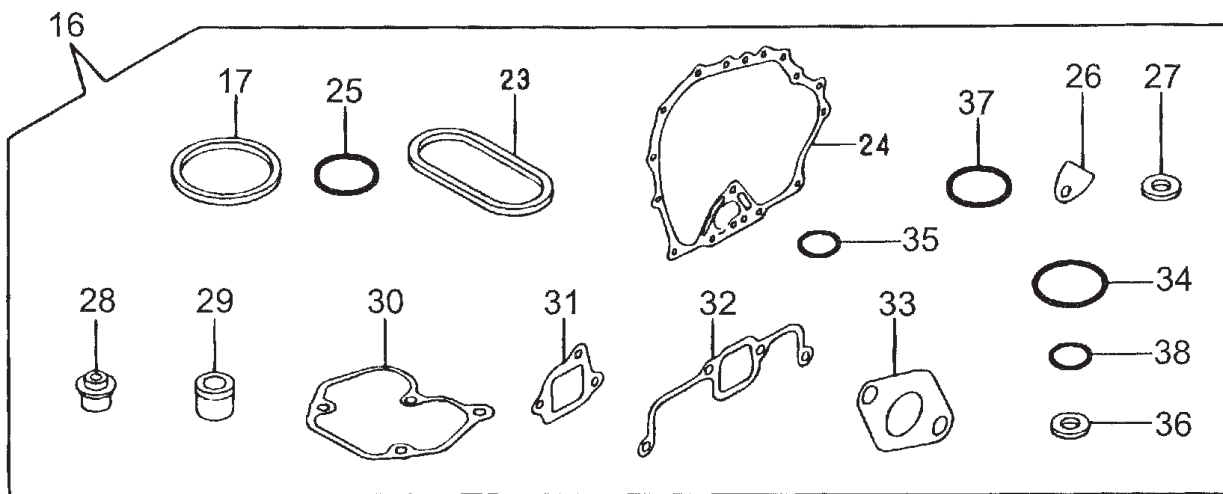
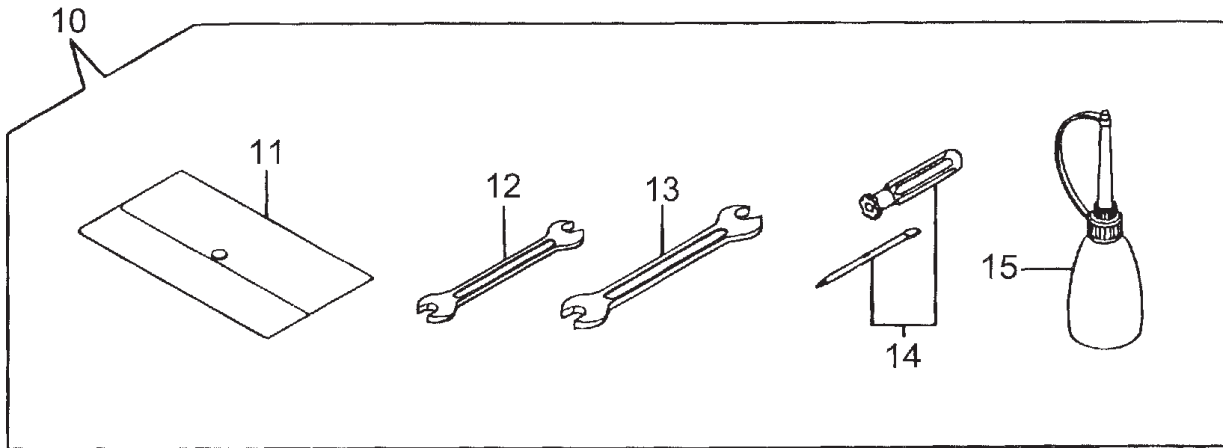
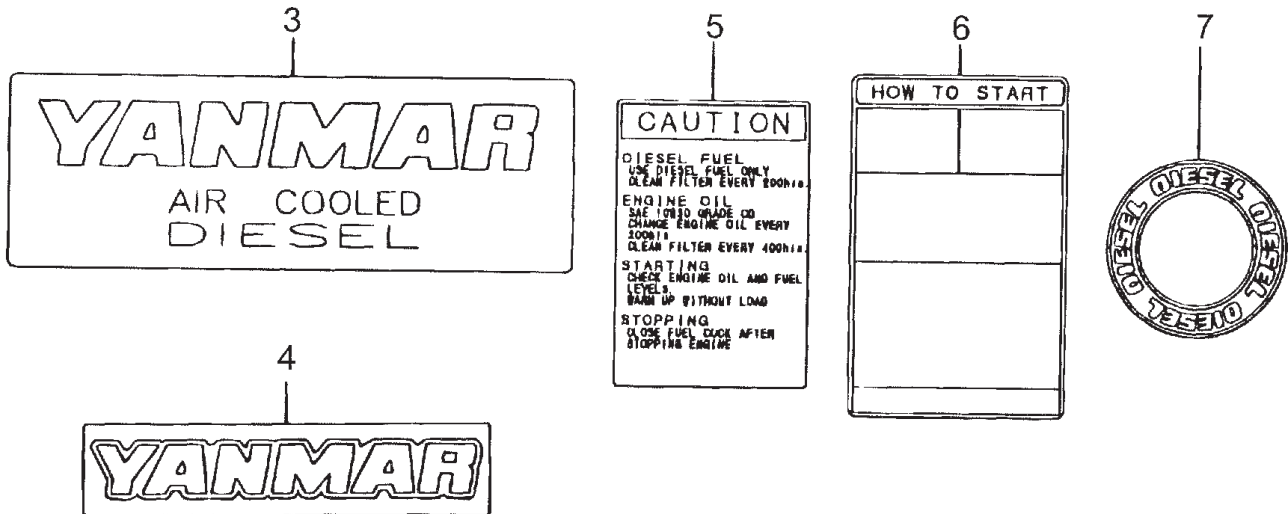
FUEL INJECTION PUMP ASSY.

<u>NO.</u>	<u>PART NO.</u>	<u>PART NAME</u>	<u>QTY.</u>	<u>REMARKS</u>
1	71477551100	INJECTION PUMP ASSY., F	1	INCLUDES ITEMS W/*
2*	10554651020	GASKET	1	
3*	11425051080	PLATE	1	
4*	11425051160	SPRING	1	
5*	11435051200	FUEL INJECTION PUMP BODY	1	
11*	11425051300	VALVE ASSY. DELIVERY	1	
14*	10554651330	DELIVERY VALVE SPRING	1	
15*	11425051340	F.I.P. DELIVERY HOLDER	1	
16*	12455051350	DELIVERY GASKET	2	
17*	11425051600	CONTROL LEVER ASSY.	1	
18*	11425051640	SPRING SEAT (A)	1	
19*	11425051650	SPRING SEAT (B)	1	
20*	22351020006	SPRING PIN 2X 6	2	
21*	22351030008	SPRING PIN 3X 8	1	
22	71477553101	FUEL INJECTION VALVE ASSY.	1	INCLUDES ITEMS W/ #
23 #	11477153001	FUEL INJECTION NOZZLE ASSY.	1	
24 #	11959353080	NOZZLE CASE NUT	1	
25 #	11425053120	NOZZLE SPRING	1	
26 #	11959353130	SPRING RETAINER	1	
27 #	11477553140	VALVE STOP SPACER	1	
28 #	11477553210	PIN	2	
29 #	11477553100	HOLDER ASSY.	1	INCLUDES ITEMS W/ %
32 #%	11477553330	PIN	1	
33 #	11425053400	SHIM PACK	1	
44	11477159803	FUEL INJECTION PIPE	1	

FUEL TANK AND FUEL LINE ASSY.

<u>NO.</u>	<u>PART NO.</u>	<u>PART NAME</u>	<u>QTY.</u>	<u>REMARKS</u>
1	71429955720	FUEL TANK, BLACK	1	INCLUDES ITEMS W/ #
3#	10530055080	DRAIN PLUG	1	
4#	23414080000	ROUND GASKET 8	1	
5#	11429955100	FILTER, FUEL OIL	1	
6#	11429955040	FUEL TANK CAP ASSY.	1	
7#	11429955201	FUEL TANK DAMPER	4	
8	11425055121	FILTER, FUEL STRAINER	1	INCLUDES ITEM W/ %
9%	11425055130	GASKET	1	
10#	11429955210	STAY	1	
11	11429955230	STAY (B)	1	
12	11425055301	COCK	1	INCLUDES ITEM W/+
13+	24341000150	O- RING 1A S- 15.0	1	
14	11429955810	LIFTING BOLT	1	
15	22117080000	WASHER 8	1	
16	26106080452	BOLT M 8X 45 PLATED	1	
17	26368060002	NUT M6	2	
18	26106060162	BOLT M6X 16 PLATED	2	
19	11477059030	FUEL OIL PIPE ASSY.	1	INCLUDES ITEMS W/*
20*	11427059010	HOSE CLIP	2	
21*	11426859061	FUEL OIL PIPE	1	
22	12472259050	CLAMP 9	2	
23	11425059060	FUEL RETURN PIPE	1	

TOOLS, LABELS AND GASKET SET ASSY.



TOOLS, LABELS AND GASKET SET ASSY.

<u>NO.</u>	<u>PART NO.</u>	<u>PART NAME</u>	<u>QTY.</u>	<u>REMARKS</u>
3	11429907100	AIR COOLED LABEL	1	
4	11429907110	YANMAR LABEL	1	
5	11421007120	CAUTION LABEL	1	
6	11421007130	HOW TO START -E LABEL	1	
7	11429907160	DIESEL LABEL	1	
10	11429992590	TOOL ASSY.....	1	INCLUDES ITEMS W/*
11*	11429992600	TOOL BAG	1	
12*	11429992710	SPANNA	1	
13*	11429992720	SPANNA	1	
14*	11429992730	DRIVER	1	
15*	11429992740	FUEL FITTING	1	
16	71411092600	GASKET SET	1	INCLUDES ITEMS W/#
17#	11429501330	CYLINDER HEAD GASKET ASSY.	1	
23#	11429901280	O- RING	1	
24#	11429901410	CRANK CASE GASKET	1	
25#	11429901950	O- RING	2	
26#	11425001841	GASKET	1	
27#	22190160002	WASHER SEAL 16S	2	
28#	11425011340	VALVE STEM SEAL	2	
29#	11477111461	NOZZLE GASKET	1	
30#	11477111310	BONNET GASKET	1	
31#	11429912210	AIR CLEANER GASKET	1	
32#	11477112200	AIR INTAKE GASKET	1	
33#	11429913200	MUFFLER GASKET	1	
34#	11429932570	O- RING, COVER	1	
35#	24341000100	O- RING 1A S-10.0	1	
36#	23414080000	PACKING 8	1	
37#	24341000224	O- RING 1A S- 22.4	1	
38#	24341000150	O- RING 1A S- 15.0	1	

PARTS MANUAL

HERE'S HOW TO GET HELP

PLEASE HAVE THE MODEL AND SERIAL
NUMBER ON-HAND WHEN CALLING

UNITED STATES

Multiquip Inc.

(310) 537- 3700
6141 Katella Avenue Suite 200
Cypress, CA 90630
E-MAIL: mq@multiquip.com
WEBSITE: www.multiquip.com

CANADA

Multiquip

(450) 625-2244
4110 Industriel Boul.
Laval, Quebec, Canada H7L 6V3
E-MAIL: infocanada@multiquip.com

UNITED KINGDOM

Multiquip (UK) Limited Head Office

0161 339 2223
Unit 2, Northpoint Industrial Estate,
Globe Lane,
Dukinfield, Cheshire SK16 4UJ
E-MAIL: sales@multiquip.co.uk

© COPYRIGHT 2020, MULTIQUIP INC.

Multiquip Inc, the MQ logo are registered trademarks of Multiquip Inc. and may not be used, reproduced, or altered without written permission. All other trademarks are the property of their respective owners and used with permission.

This manual MUST accompany the equipment at all times. This manual is considered a permanent part of the equipment and should remain with the unit if resold.

The information and specifications included in this publication were in effect at the time of approval for printing. Illustrations, descriptions, references and technical data contained in this manual are for guidance only and may not be considered as binding. Multiquip Inc. reserves the right to discontinue or change specifications, design or the information published in this publication at any time without notice and without incurring any obligations.

Your Local Dealer is:

