



The information and specifications included in this publication were in effect at the time of approval for printing. Illustrations, descriptions, references and technical data contained in this document are for guidance only and may not be considered as binding. MultiQuip Inc. reserves the right to discontinue or change specifications, design or the information published in this publication at any time without notice and without incurring any obligations.

NEW AIR BREATHER VALVE SYSTEM

Production change of air breather valve system to prevent oil leak and water intrusion beginning with the following serial numbers.

MVH-308 series: From G10252 and above

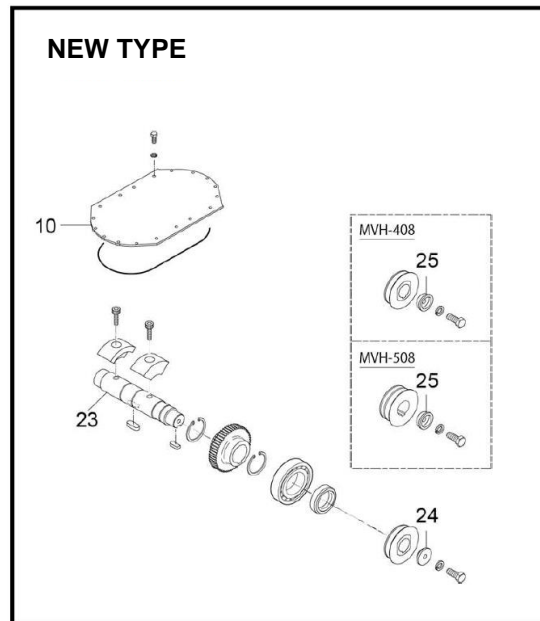
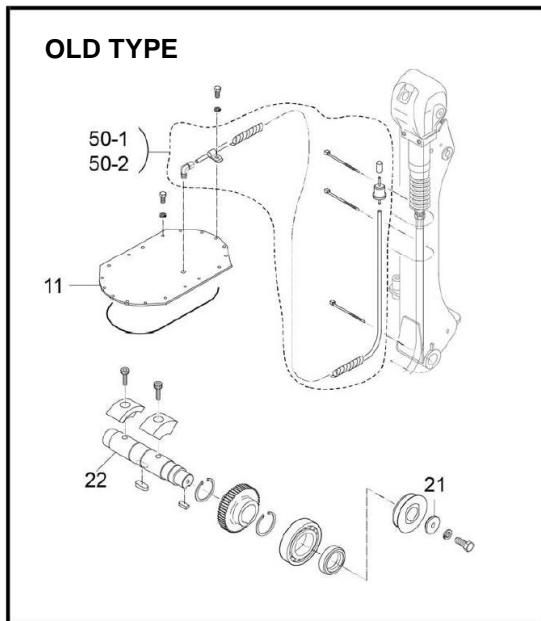
MVH-408 series: From G10280 and above

MVH-508 series: From G10257 and above

SUSPENDED OR TO BE CHANGED				Interchangeability	NEWLY-ESTABLISHED			
Ref. No.	Part No.	Part Name	Qty.		Old - New	Ref. No.	Part No.	Part Name
For MVH-308								
22	467355910	Rotary shaft, drive NO,BR/MVH308	1	*1	23	467910070	Rotary shaft (drive,CV) CP	1
20	464457370	Washer / MVH-306	1		24	467474690	Washer (CV) /308	1
11	467355940	Cover, vibe (breather)/308	1		10	467351790	Cover, vibrator /MVH-308	1
50-1	467910040	Air breather tube CP/308	1					
For MVH-408								
22	467355910	Rotary shaft, drive NO,BR/MVH308	1	*1	23	467910070	Rotary shaft (drive,CV) CP	1
21	456437920	Washer, Pulley /MVH-302	1		25	468474700	Washer (CV) /408	1
11	467355940	Cover, vibe (breather)/308	1		10	467351790	Cover, vibrator /MVH-308	1
50-1	467910040	Air breather tube CP/308	1					
For MVH-508								
22	467355910	Rotary shaft, drive NO,BR/MVH308	1	*1	23	467910070	Rotary shaft (drive,CV) CP	1
21	456437920	Washer, Pulley /MVH-302	1		25	468474700	Washer (CV) /MVH-408	1
11	467355940	Cover, vibe (breather)/308	1		10	467351790	Cover, vibrator /MVH-308	1
50-2	469910040	Air breather tube CP/508	1					

Remarks:

*1 Changing the breather system of MVH-308/408 or 508 from old type to new type would require the newly established components.

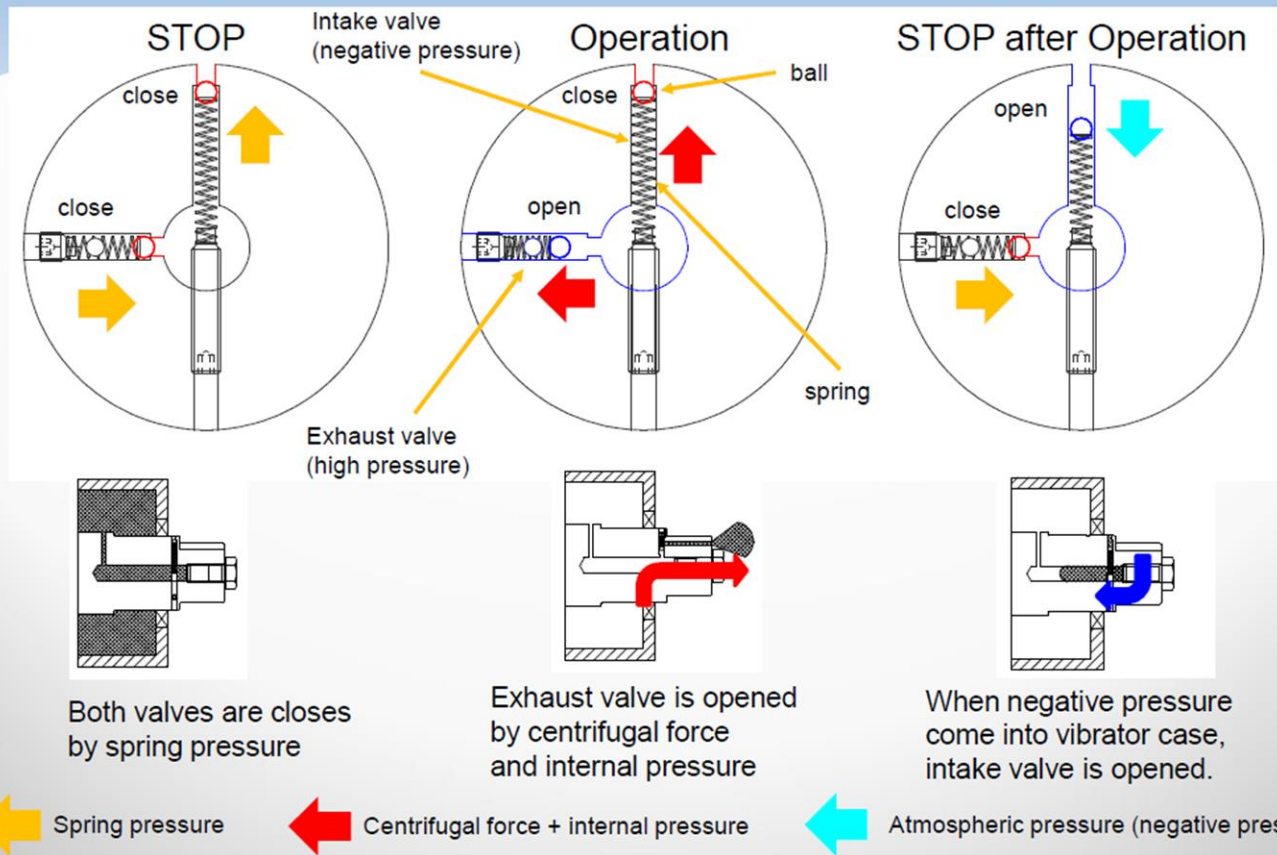


The information and specifications included in this publication were in effect at the time of approval for printing. Illustrations, descriptions, references and technical data contained in this document are for guidance only and may not be considered as binding. Multiquip Inc. reserves the right to discontinue or change specifications, design or the information published in this publication at any time without notice and without incurring any obligations.

NEW AIR BREATHER VALVE SYSTEM

New Air Breather Valve System

- Two valves with the springs and balls are installed in the breather of the drive shaft.
- Intake valve and exhaust valve control to open and close of the breather of vibrator.



© COPYRIGHT 2020, MULTIQUIP INC, Rev. 0 (10262021)