

# PARTS MANUAL



*Mikasa* **SERIES**  
**MODEL MVH306GH**  
**REVERSIBLE PLATE COMPACTOR**  
**(HONDA GX270K1SMX2 GASOLINE ENGINE)**

Revision #9 (07/09/20)

To find the latest revision of this publication or  
associated operation manual, visit our website  
at: [www.multiquip.com](http://www.multiquip.com)



**THIS MANUAL MUST ACCOMPANY THE EQUIPMENT AT ALL TIMES.**

# TABLE OF CONTENTS

## MIKASA MVH306GH REVERSIBLE PLATE COMPACTOR

Table of Contents .....	2
Explanation Of Code In Remarks Column .....	4
Suggested Spare Parts .....	5

## COMPONENT DRAWINGS

Nameplate and Decals .....	6-7
Vibrating Plate Assembly .....	8-9
Base and Engine Assembly .....	10-13
Vibrator Assembly .....	14-15
Control Handle Assembly .....	16-19
Hand Pump Assembly .....	20-21

### NOTICE

Specification and part number are subject to change without notice

## HONDA GX270K1SMX2 ENGINE DRAWINGS

Air Cleaner Assembly .....	22-23
Camshaft Assembly .....	24-25
Carburetor Assembly .....	26-27
Control Assembly .....	28-29
Crankcase Cover Assembly .....	30-31
Crankshaft Assembly .....	32-33
Cylinder Barrel Assembly .....	34-35
Cylinder Head Assembly .....	36-37
Fan Cover Assembly .....	38-39
Flywheel Assembly .....	40-41
Fuel Tank Assembly .....	42-43
Ignition Coil Assembly .....	44-45
Muffler Assembly .....	46-47
Piston Assembly .....	48-49
Recoil Starter Assembly .....	50-51
Labels Assembly .....	52-53



# EXPLANATION OF CODE IN REMARKS COLUMN

The following section explains the different symbols and remarks used in the Parts section of this manual. Use the help numbers found on the back page of the manual if there are any questions.

## NOTICE

The contents and part numbers listed in the parts section are subject to change **without notice**. Multiquip does not guarantee the availability of the parts listed.

## SAMPLE PARTS LIST

NO.	PART NO.	PART NAME	QTY.	REMARKS
1	12345	BOLT.....	1	INCLUDES ITEMS W/%
2%		WASHER, 1/4 IN.....		NOT SOLD SEPARATELY
2%	12347	WASHER, 3/8 IN....	1	MQ-45T ONLY
3	12348	HOSE .....		A/R ...MAKE LOCALLY
4	12349	BEARING .....	1	S/N 2345B AND ABOVE

## NO. Column

**Unique Symbols** — All items with same unique symbol

(@, #, +, %, or >) in the number column belong to the same assembly or kit, which is indicated by a note in the “Remarks” column.

**Duplicate Item Numbers** — Duplicate numbers indicate multiple part numbers, which are in effect for the same general item, such as different size saw blade guards in use or a part that has been updated on newer versions of the same machine.

## NOTICE

When ordering a part that has more than one item number listed, check the remarks column for help in determining the proper part to order.

## PART NO. Column

**Numbers Used** — Part numbers can be indicated by a number, a blank entry, or TBD.

TBD (To Be Determined) is generally used to show a part that has not been assigned a formal part number at the time of publication.

A blank entry generally indicates that the item is not sold separately or is not sold by Multiquip. Other entries will be clarified in the “Remarks” Column.

## QTY. Column

**Numbers Used** — Item quantity can be indicated by a number, a blank entry, or A/R.

A/R (As Required) is generally used for hoses or other parts that are sold in bulk and cut to length.

A blank entry generally indicates that the item is not sold separately. Other entries will be clarified in the “Remarks” Column.

## REMARKS Column

Some of the most common notes found in the “Remarks” Column are listed below. Other additional notes needed to describe the item can also be shown.

**Assembly/Kit** — All items on the parts list with the same unique symbol will be included when this item is purchased.

Indicated by:

“INCLUDES ITEMS W/(unique symbol)”

**Serial Number Break** — Used to list an effective serial number range where a particular part is used.

Indicated by:

“S/N XXXXX AND BELOW”

“S/N XXXX AND ABOVE”

“S/N XXXX TO S/N XXX”

**Specific Model Number Use** — Indicates that the part is used only with the specific model number or model number variant listed. It can also be used to show a part is NOT used on a specific model or model number variant.

Indicated by:

“XXXXX ONLY”

“NOT USED ON XXXX”

**“Make/Obtain Locally”** — Indicates that the part can be purchased at any hardware shop or made out of available items. Examples include battery cables, shims, and certain washers and nuts.

**“Not Sold Separately”** — Indicates that an item cannot be purchased as a separate item and is either part of an assembly/kit that can be purchased, or is not available for sale through Multiquip.

## SUGGESTED SPARE PARTS

---

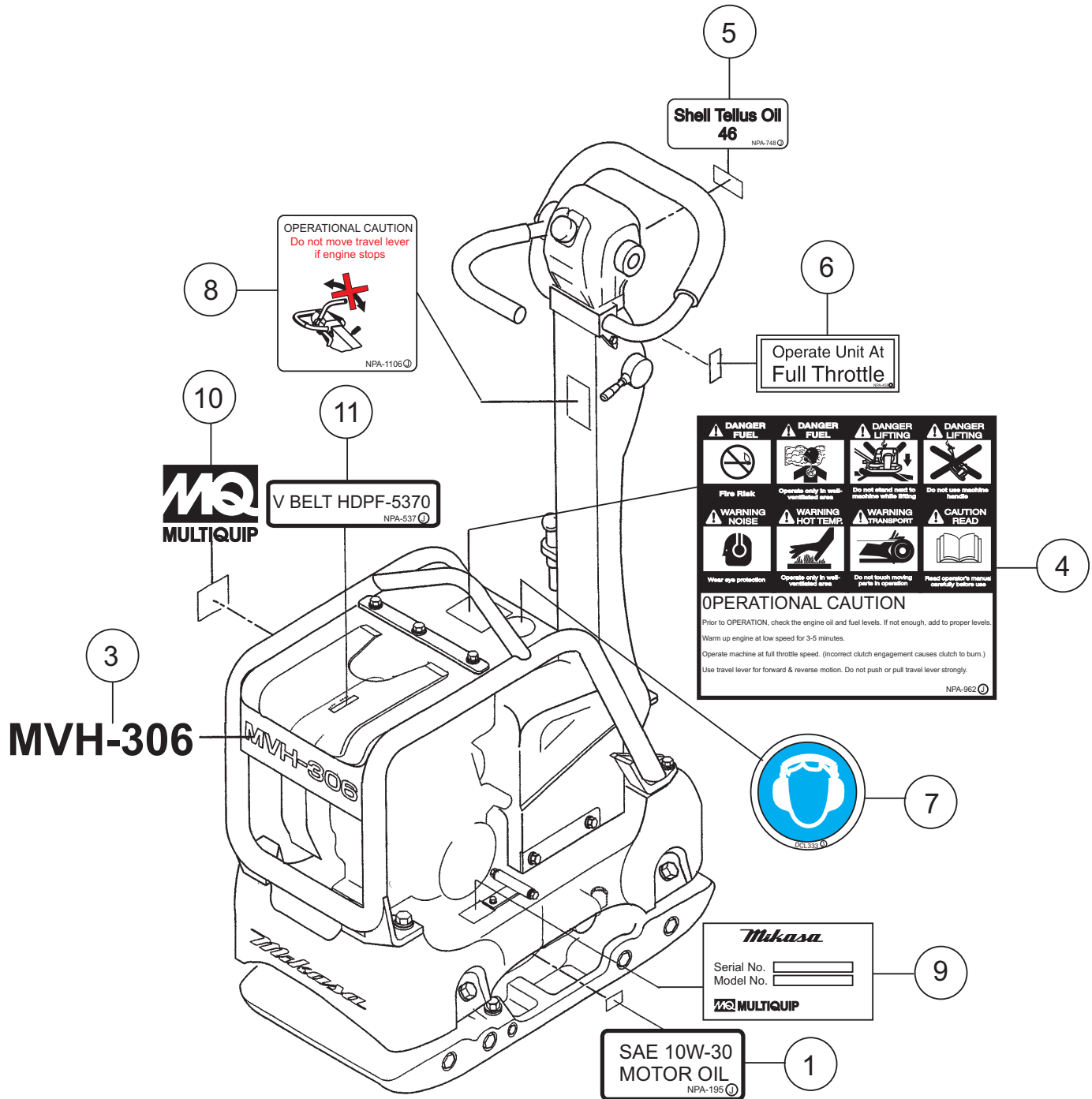
### **MVH-306 WITH HONDA GX270K1SMX2 ENGINE**

*1 to 3 Units*

Qty...	P/N .....	Description
1 .....	956100055 .....	THROTTLE WIRE
2 .....	070200363 .....	V-BELT
3 .....	9807955846 .....	SPARK PLUG
3 .....	17210ZE2822 .....	ELEMENT, AIR CLEANER (DUAL)
1 .....	17620Z0T814 .....	CAP, FUEL TANK
1 .....	28462ZE2W11 .....	ROPE, RECOIL

# NAMEPLATE AND DECALS

## NAMEPLATE AND DECALS



## NAMEPLATE AND DECALS

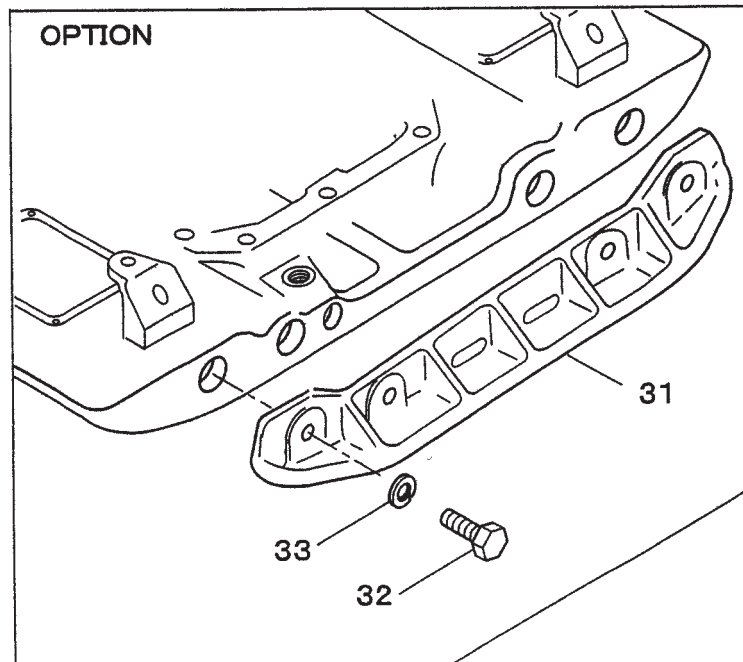
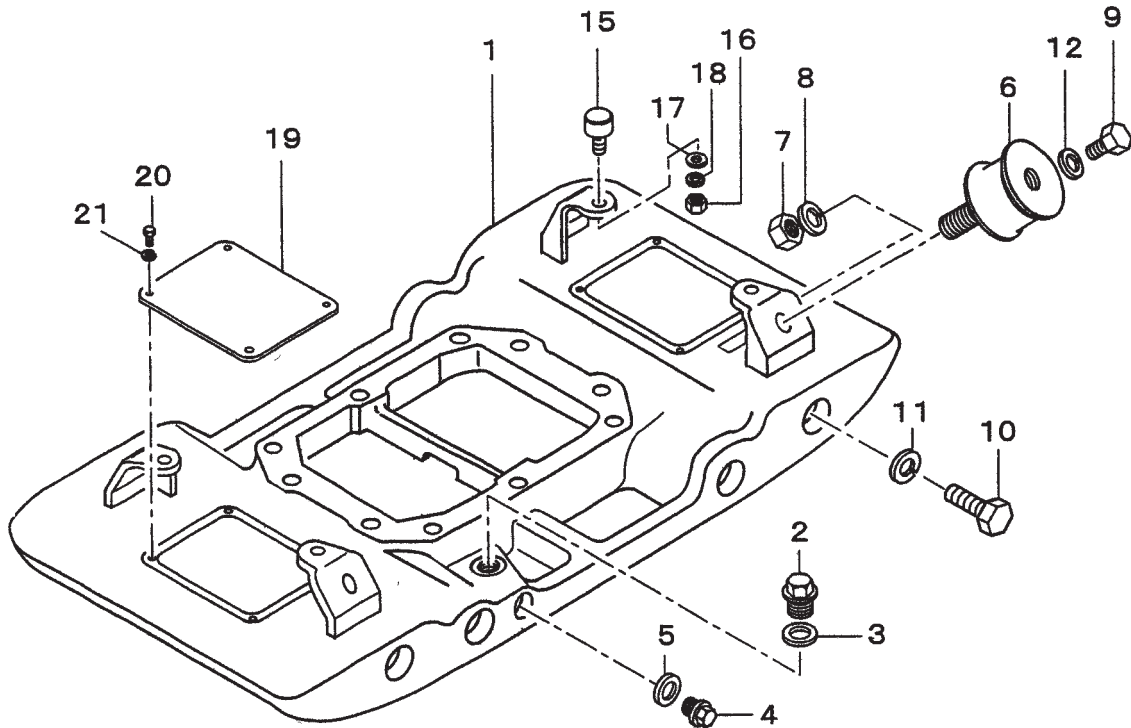
---

### NAMEPLATE AND DECALS

<u>NO.</u>	<u>PART NO.</u>	<u>PART NAME</u>	<u>QTY.</u>	<u>REMARKS</u>
1	920201950	DECAL: OIL SAE 10W-30 .....	1 .....	NPA-195
3	920110370	DECAL: MODEL LOGO	1	
4	920209620	DECAL: CAUTION .....	1 .....	NPA-962
5	920207480	DECAL: SHELL TELLUS OIL 46 .....	1 .....	NPA-748
6	920204580	DECAL: FULL THROTTLE .....	1 .....	NPA-458
7	920203330	DECAL: EAR PROTECTION .....	1 .....	DCL333
8	920211060	DECAL: CAUTION (TRAVEL LEVER) .....	1 .....	NPA-1106
9		DECAL: SERIAL NO. ....	1 .....	CONTACT MQ PARTS DEPT.
10	920201580	DECAL: MQ LOGO	1	
11	920211010	DECAL: V-BELT HDPF-5370 .....	1 .....	NPA-537

# VIBRATING PLATE ASSY.

VIBRATING PLATE ASSY.





## VIBRATING PLATE ASSY.

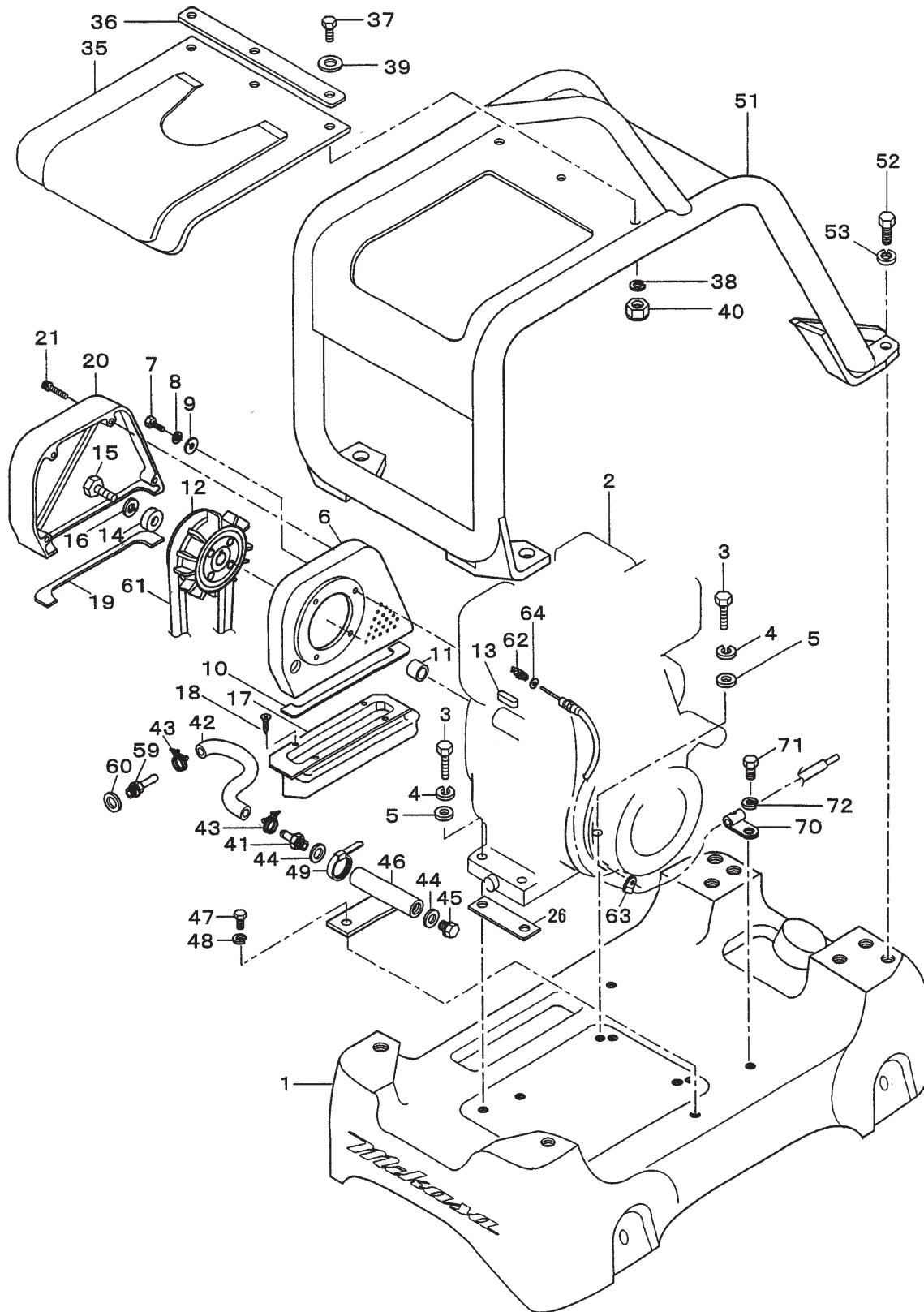
---

### VIBRATING PLATE ASSY.

<u>NO.</u>	<u>PART NO.</u>	<u>PART NAME</u>	<u>QTY.</u>	<u>REMARKS</u>
1	464117840	VIBRATING PLATE	1	
2	953405840	DRAIN PLUG M18 (H)	1	
3	953402930	COPPER PACKING 19X30X1	1	
4	953400270	PLUG 1/4X14 10L	1	
5	953405260	PACKING 1/4 (CU)	1	
6	939010260	SHOCK ABSORBER 110X60H	4	
7	020316130	NUT M16	4	
8	030216400	WASHER, LOCK M16	4	
9	001221635	BOLT 16X35 T	4	
10	001221830	BOLT 18X30 T	8	
11	58407	WASHER, LOCK M18	8	
12	030216400	WASHER, LOCK M16	4	
15	939010010	SHOCK ABSORBER, STOPPER 45	4	
16	020310080	NUT M10	4	
17	031110160	WASHER, FLAT M10	4	
18	030210250	WASHER, LOCK M10	4	
19	464343730	COVER, VIBRATING PLATE	2	
20	011008015	BOLT 8X15 T	8	
21	030208200	WASHER, LOCK M8	8	
31	52993	EXTENSION PLATE	2	
32	012218050	BOLT 18X50 T	8	
33	58407	WASHER, LOCK M18	8	

# BASE AND ENGINE ASSY.

## BASE AND ENGINE ASSY.



## BASE AND ENGINE ASSY.

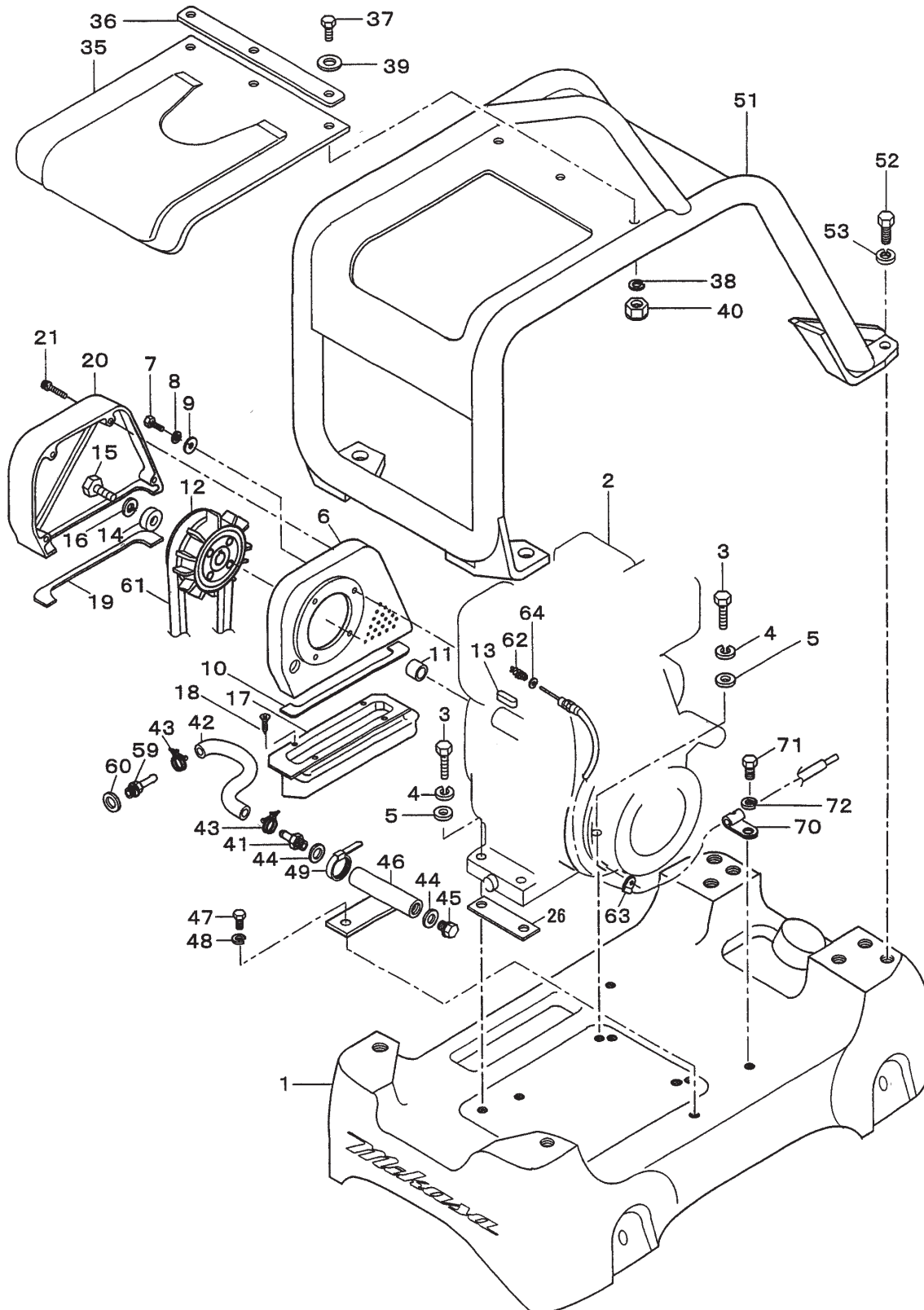
---

### BASE & ENGINE ASSY.

<u>NO.</u>	<u>PART NO.</u>	<u>PART NAME</u>	<u>QTY.</u>	<u>REMARKS</u>
1	464117850	BASE	1	
2	912227003	ENGINE ASSY., GX270K1SMX2 (HONDA)	1	
3	0105051045	BOLT 10X45 T	4	
4	030210250	WASHER, LOCK M10	4	
5	031110160	WASHER, FLAT M10	4	
6	464216580	BELT COVER (IN)	1	
7	001121025	BOLT 8X25 T	4	
8	030210250	WASHER, LOCK M10	4	
9	031110160	WASHER, FLAT M10	4	
10	464343670	DUST-PROOF SPONGE (IN)	1	
11	464457360	SPACER	1	
12	456343340	CLUTCH ASSY./CHM03/W.FAN	1	
13	951400110	KEY 7X7X35	1	
14	952400690	WASHER 9X35X4.5	1	
15	001220830	BOLT 8X30 T	1	
16	030208200	WASHER, LOCK M8	1	
17	464216640	DUST-PROOF COVER	1	
18	092006010	FLAT HEAD SCREW 6X10	3	
19	464343660	DUST-PROOF SPONGE (OUT)	1	
20	464216590	BELT COVER (OUT)	1	
21	001521050	SOCKET HEAD BOLT 10X50 T	4	
26	464457430	SPACER, ENGINE	2	
35	464117920	RUBBER COVER (GUARD FRAME)	1	
36	456449950	PLATE, COVER	1	
37	011208030	BOLT 8X30 T	1	
38	030208200	WASHER, LOCK M8	3	
39	031108160	WASHER, FLAT M8	3	
40	022710809	NYLON NUT M8	3	

# BASE AND ENGINE ASSY.

## BASE AND ENGINE ASSY. (CONTINUED)



## BASE AND ENGINE ASSY.

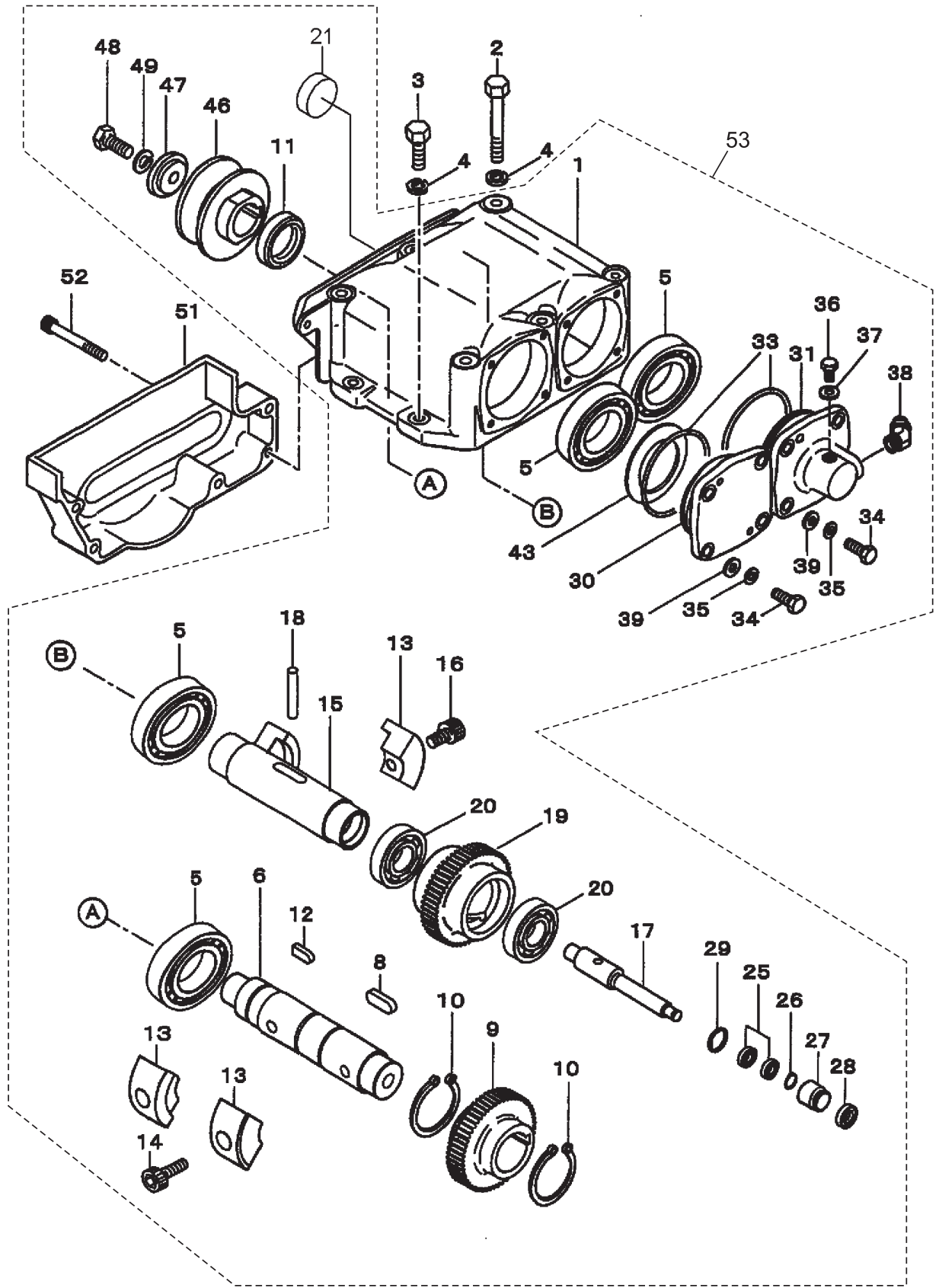
---

### BASE AND ENGINE ASSY. (CONTINUED)

<u>NO.</u>	<u>PART NO.</u>	<u>PART NAME</u>	<u>QTY.</u>	<u>REMARKS</u>
41	459010060	UNION TIP, DRAIN	1	
42	459010070	DRAIN HOSE	1	
43	459010090	HOSE BAND	2	
44	459010080	GASKET(OIL DRAIN)	2	
45	0401140030	PLUG	1	
46	464457380	DRAIN JOINT	1	
47	014208020	BOLT 8X20 T	1	
48	030208200	WASHER, LOCK M8	1	
51	464117900	GUARD HOOK	1	
52	012214030	BOLT 14X30 T	4	
53	030214350	WASHER, LOCK M14	4	
59	90131ZE3790	DRAIN JOINT	1	
60	9410912000	WASHER, DRAIN PLUG M12	1	
61	070200363	V-BELT	1	
62	0830000010	COIL SPRING	1	
63	151010680	CLAMP CP.	1	
64	58151	WASHER, FLAT M5	1	
70	959407260	CLIP D6 (FOR M10)	1	
71	001221015	BOLT 10X15 T	1	
72	030210250	WASHER, LOCK M10	1	

# VIBRATOR ASSY.

## VIBRATOR ASSY.



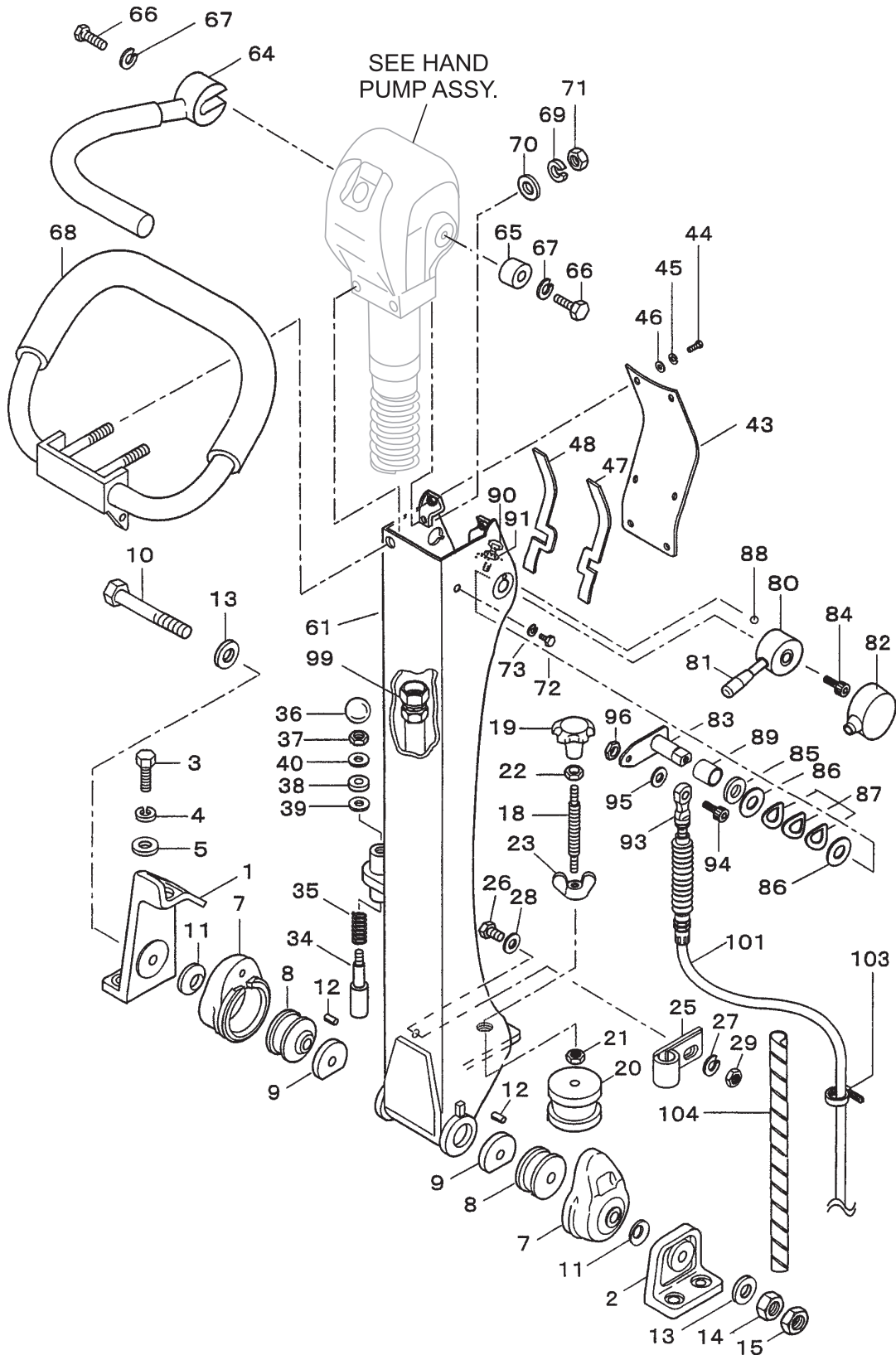
# VIBRATOR ASSY.

## VIBRATOR ASSY.

<u>NO.</u>	<u>PART NO.</u>	<u>PART NAME</u>	<u>QTY.</u>	<u>REMARKS</u>
1#	464117880	VIBRATING CASE	1	
2	001221470	BOLT 14X150 T	6	
3	001221450	BOLT 14X50 T	4	
4	030214350	WASHER, LOCK M14	10	
5#	047920120	ROLLER BEARING NJ310EMC4	4	
6#	457212410	ROTARY SHAFT, DRIVE	1	
8#	951405370	KEY 15X10X39 RR	1	
9#	456327150	GEAR, DRIVE	1	
10#	080200550	STOP RING S-55	2	
11#	060105030	OIL SEAL SB-50729	1	
12#	951404970	KEY 12X8X30 R	1	
13#	464343700	ECCENTRIC ROTATOR	4	
14#	009120301	SOCKET HEAD BOLT 16X40 T	2	
15#	456337670	ROTARY SHAFT, DRIVEN	1	
16#	009120302	SOCKET HEAD BOLT 16X30 T	2	
17#	456337380	PISTON ROD	1	
18#	456010010	KNOCK PIN 10X70	1	
19#	464343720	GEAR (DRIVEN)	1	
20#	040006911	BEARING 6911	2	
21#	953010030	SEAL CAP/SC72-8N	1	
25#	042506000	BEARING 6000ZZSG	2	
26#	080200100	STOP RING S-10	1	
27#	455435051	PISTON, 22.4D	1	
28#	455010070	PACKING USH-22.4X30X5	1	
29#	080100260	STOP RING R-26	1	
30#	456327130	BEARING COVER	1	
31#	456210636	CYLINDER (L)/(AC)	1	
33#	050101050	O-RING G-105	2	
34#	0012221025	BOLT 10X25 T	8	
35#	030210250	WASHER, LOCK M10	8	
36#	011008015	BOLT 8X12 T	1	
37#	953404600	COPPER PACKING 8X16X2	1	
38#	455010020	ELBOW 45 DEG. 15-0404	1	
39#	031110160	WASHER, FLAT M10	4	
43#	952405470	SHIM 90X110X0.5	2	
46#	464343710	PULLEY	1	
47#	464457370	WASHER	1	
48#	012212030	BOLT 12X30 T	1	
49#	030212300	WASHER, LOCK M12	1	
51	464216600	BELT COVER (LOWER)	1	
52	001520852	SOCKET HEAD BOLT 8X60 T	5	
53	464910020	VIBRATOR ASSY .....	1	INCLUDES ITEMS W/#

# CONTROL HANDLE ASSY.

## CONTROL HANDLE ASSY.





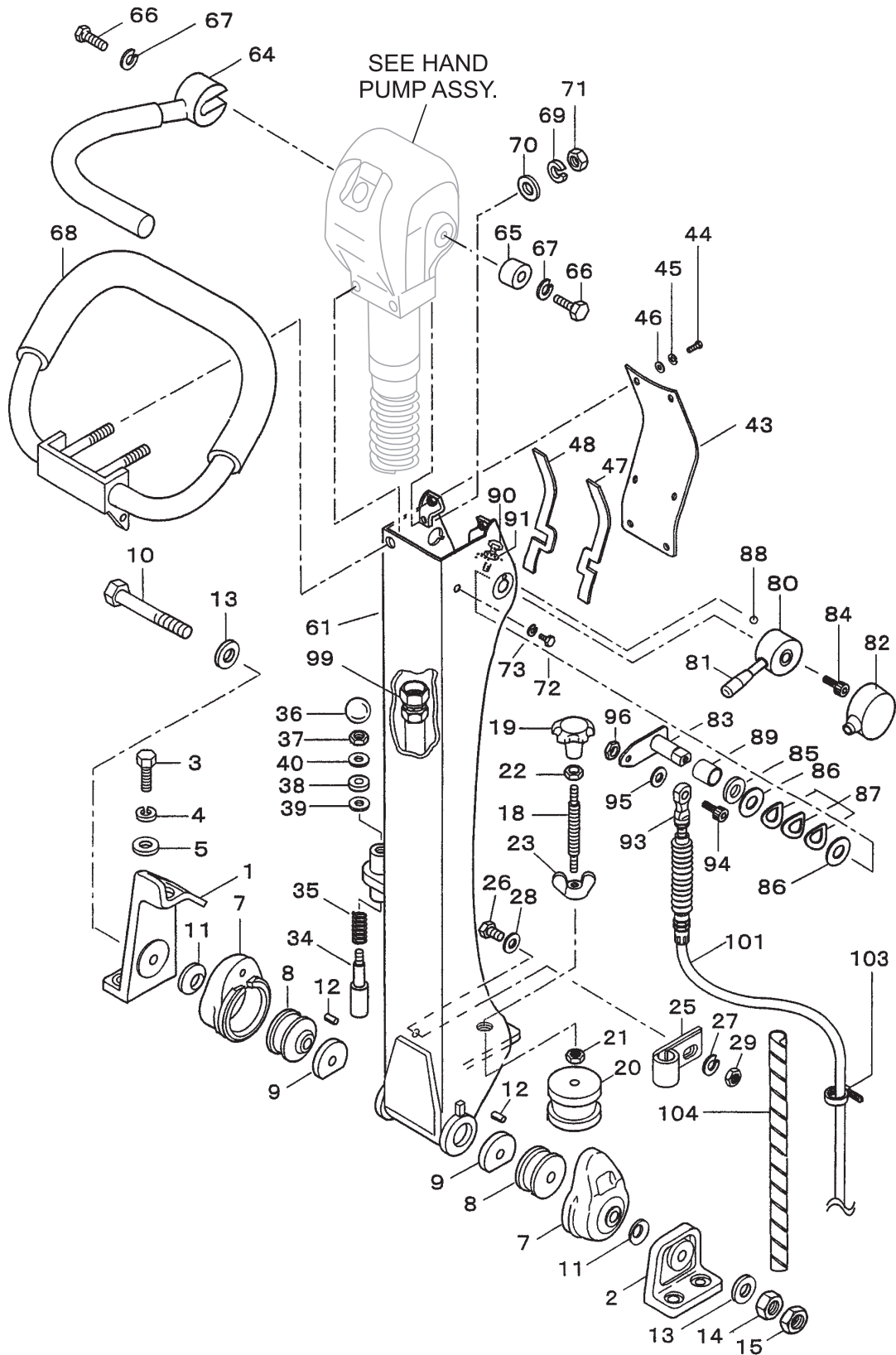
## CONTROL HANDLE ASSY.

### CONTROL HANDLE ASSY.

<u>NO.</u>	<u>PART NO.</u>	<u>PART NAME</u>	<u>QTY.</u>	<u>REMARKS</u>
1	464343680	HANDLE BRACKET	1	
2	456336420	HANDLE BRACKET (R)	1	
3	012212035	BOLT 12X35 T	4	
4	030212300	WASHER, LOCK M12	4	
5	031112230	WASHER, FLAT M12	4	
7	456336400	RUBBER COUPLING	2	
8	456449940	SHOCK ABSORBER	2	
9	456449930	RUBBER PLATE	2	
10	001221681	BOLT 16X250 T	1	
11	032124400	CONICAL SPRING WASHER M24	2	
12	025306016	SPRING PIN 6X16	2	
13	0401450160	WASHER, FLAT M16	2	
14	020316130	NUT M16	1	
15	020416100	NUT M16, H=10	1	
18	455434950	SPINDLE	1	
19	455010030	KNOB	1	
20	939010060	SHOCK ABSORBER	1	
21	020310080	NUT M10, H=6	1	
22	020412070	NUT M12, H=7	1	
23	022411635	WING NUT M16	1	
25	954404230	CLAMP SA120-18	1	
26	011206020	BOLT 6X20 T	1	
27	030206150	WASHER, LOCK M6	1	
28	952404470	WASHER, FLAT M6	1	
29	020106050	NUT M6	1	
34	501402870	HANDLE STOPPER	1	
35	501402880	SPRING/HANDLE (1.4X18X44)	1	
36	959403460	BALL GRIP 32D-M10	1	
37	020310080	NUT M10, H=6	1	
38	456449980	RUBBER PACKING 9D-20D-5T	1	
39	953405260	PACKING 1/4 (CU)	1	
40	031110160	WASHER, FLAT M10	1	
43	464343690	HANDLE COVER	1	
44	0105050616	BOLT 6X15 T	6	
45	030206150	WASHER, LOCK M6	6	
46	952404470	WASHER, FLAT M6	6	
47	464457710	PACKING A, HANDLE COVER	1	
48	464457720	PACKING B, HANDLE COVER	1	
49	454010020	CLAMP TC-100	1	

# CONTROL HANDLE ASSY.

CONTROL HANDLE ASSY.



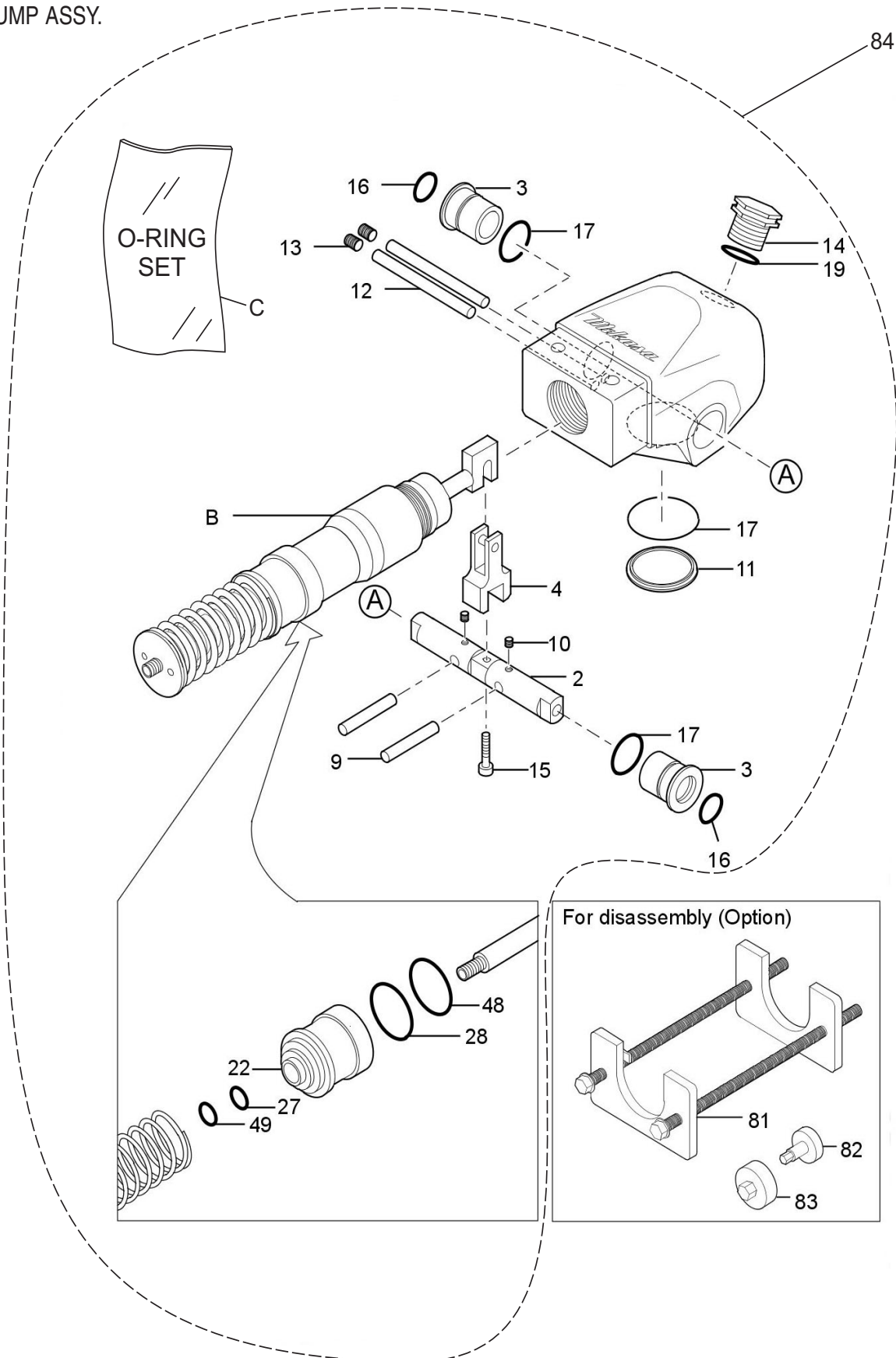
## CONTROL HANDLE ASSY.

### CONTROL HANDLE ASSY.

<u>NO.</u>	<u>PART NO.</u>	<u>PART NAME</u>	<u>QTY.</u>	<u>REMARKS</u>
61	464117890	COLUMN, HANDLE	1	
64	464216630	TRAVEL LEVER	1	
65	464457400	HANDLE BOSS	1	
66	012010030	BOLT 10X30 T	2	
67	030210250	WASHER, LOCK M10	2	
68	464216620	HANDLE W/RUBBER GRIP	1	
69	030210250	WASHER, LOCK M10	2	
70	031110160	WASHER, FLAT M10	2	
71	020310080	NUT M10	2	
72	011208025	BOLT 8X25 T	2	
73	030208200	WASHER, LOCK	2	
80	464457340	THROTTLE LEVER	1	
81	959403840	BAR GRIP I.D. 12 MM	1	
82	464457420	COVER, THROTTLE	1	
83	464457350	ARM, THROTTLE	1	
84	001520820	SOCKET HEAD BOLT 8X20 T	1	
85	031116260	WASHER, FLAT	1	
86	458460660	WASHER 16.4-35-0.6	2	
87	033910080	CONICAL SW 16.3 X 31.5 X 1.2	3	
88	464457440	STEEL BALL D6 (SUJ)	1	
89	464010010	DRY BUSHING/ LBF-1620	1	
90	001220625	BOLT 6X25 T	2	
91	020306050	NUT M6	2	
93	464010020	ROD END M5	1	
94	001520520	SOCKET HEAD BOLT 5X20 T	1	
95	031105080	WASHER, FLAT M5	1	
96	20305040	NUT M5	1	
99	954002270	OIL HOSE W/SPRING 1/4 X 920	1	
101	956100055	THROTTLE WIRE	1	
103	454010020	CLAMP TC-100	1	
104	959021815	SPRIAL TUBE 6D-330L	1	
104	959021810	SPRIAL TUBE KEP6/ L=500	1	

# HAND PUMP ASSY.

HAND PUMP ASSY.



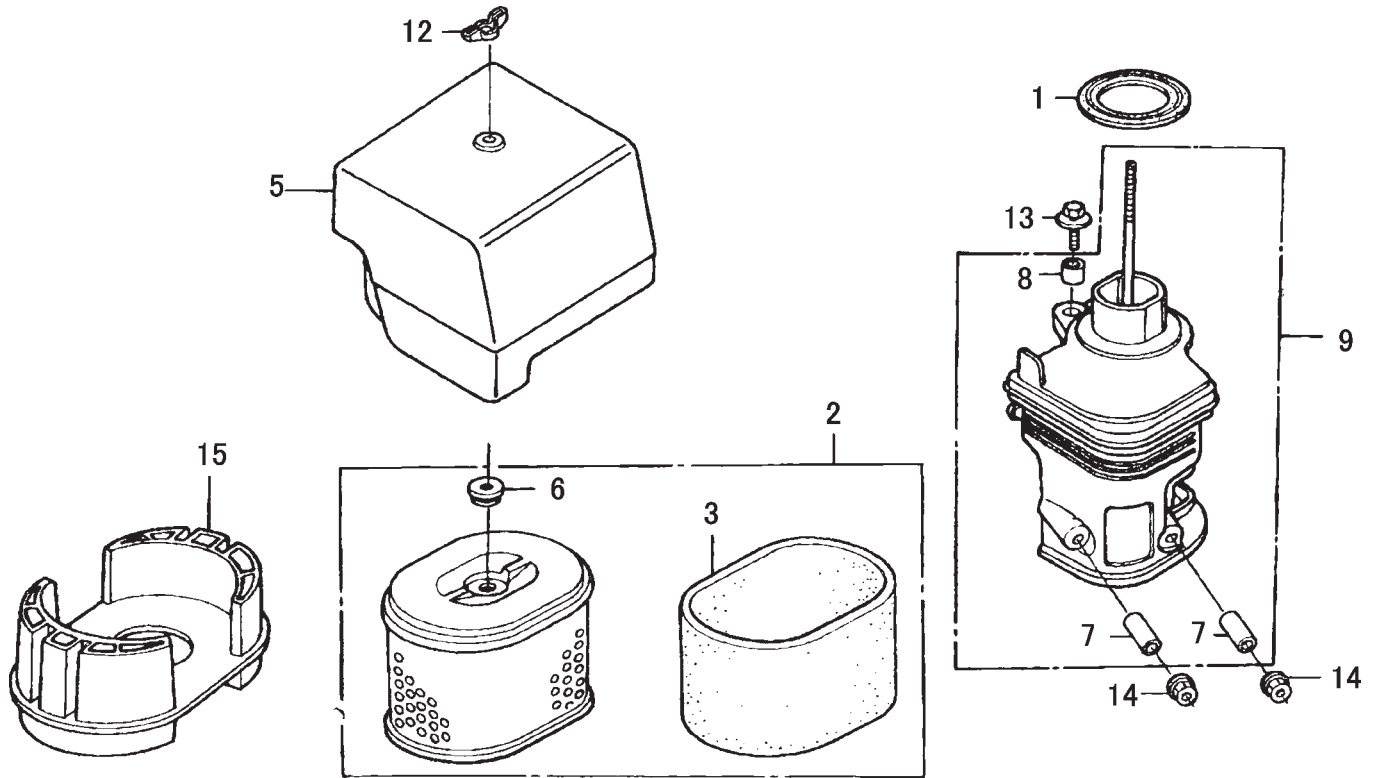
# HAND PUMP ASSY.

## HAND PUMP ASSY.

<u>NO.</u>	<u>PART NO.</u>	<u>PART NAME</u>	<u>QTY.</u>	<u>REMARKS</u>
B*	4649-10040	ACCUMULATOR	1	
C*	464910080	O-RING DUST,SEAL,SET .....	1 .....	INCLUDES ITEMS W/#
2*	464010040	CONTROL SHAFT	1	
3*	464010050	BUSH	2	
4*	464010060	CAM	1	
9*	464010070	STOPPER	2	
10*	099205005	SOCKET HEAD SCREW 5X5 T	2	
11*	464010080	PLUG	1	
12*	464010090	PIN,STOPPER	2	
13*	464010100	PLUG	2	
14*	458010080	BREATHER	1	
15*	001520620	SOCKET HEAD BOLT 6X20 T	1	
16#*	050200200	O-RING P-20	2	
17#*	050200220	O-RING P-22	2	
19#*	050200180	O-RING P-18	1	
22*	464010110	ACCUMULATOR CASE .....	1 .....	S/N N2418 AND BELOW
22*	464010111	ACCUMULATOR CASE .....	1 .....	S/N N2419 AND ABOVE
26#*	050300400	O-RING S-40	1	
27#*	050200150	O-RING P-15	1	
28#*	050100400	O-RING G-40	1	
48#*	069904010	DUST SEAL SER-40 .....	1 .....	S/N N2419 AND ABOVE
49#*	069901010	DUST SEAL SER-15 .....	1 .....	S/N N2419 AND ABOVE
81	984010030	SPRG.COMPRESSION TOOL	1	
82	984010040	DISASSEMBLING TOOL A	1	
83	984010050	DISASSEMBLING TOOL B	1	
84	464216721	HAND PUMP ASSY .....	1 .....	INCLUDES ITEMS W/*

# GX270K1SMX2 — AIR CLEANER ASSY.

AIR CLEANER ASSY.



## GX270K1SMX2 — AIR CLEANER ASSY.

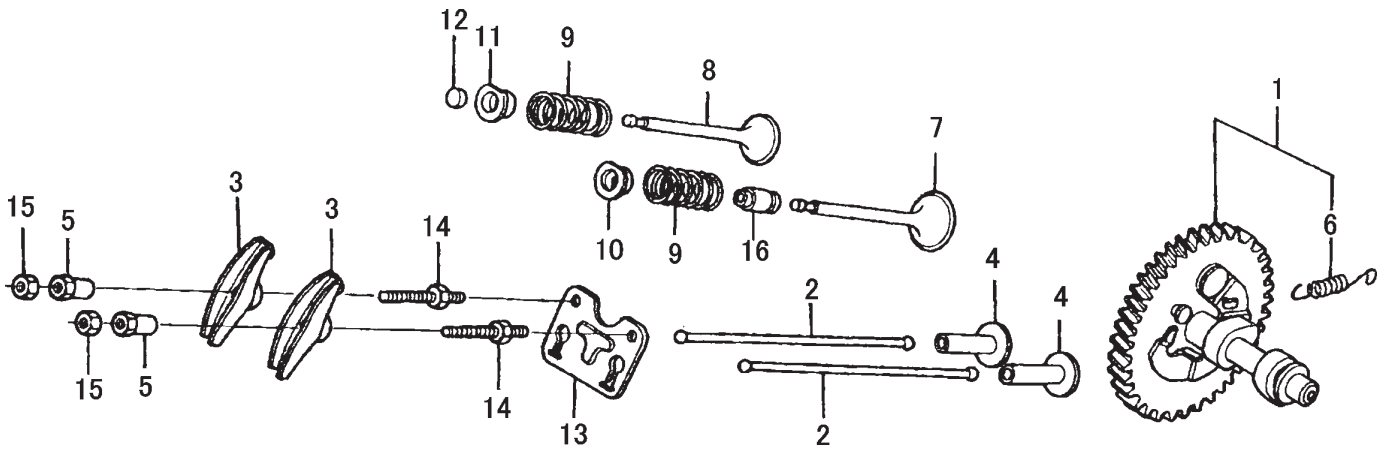
---

AIR CLEANER ASSY.

<u>NO.</u>	<u>PART NO.</u>	<u>PART NAME</u>	<u>QTY.</u>	<u>REMARKS</u>
1	16271ZE2010	PACKING, ELBOW	1	
2	17210ZE2822	ELEMENT,AIR CLEANER(DUAL) .....	1 .....	INCLUDES ITEM W/*
3*	17218ZE2821	FILTER, OUTER	1	
5	17231ZH9820	COVER, AIR CLEANER	1	
6*	17232891000	GROMET,AIR CLEANER	1	
7+	17238ZE2310	COLLAR,AIR CLEANER	2	
8+	17239ZE1000	COLLAR(B),AIR CLEANER	1	
9	17410ZE2020	ELBOW COMP.,AIR CLEANER .....	1 .....	INCLUDES ITEM W/+
12	90325044000	NUT	1	
13	90009ZE2003	BOLT-WASHER 6X22	1	
14	9405006000	FLANGE NUT 6MM	2	
15	17235ZE2820	NOSE, SILENCER	1	

# GX270K1SMX2 — CAMSHAFT ASSY.

CAMSHAFT ASSY.





## GX270K1SMX2 — CAMSHAFT ASSY.

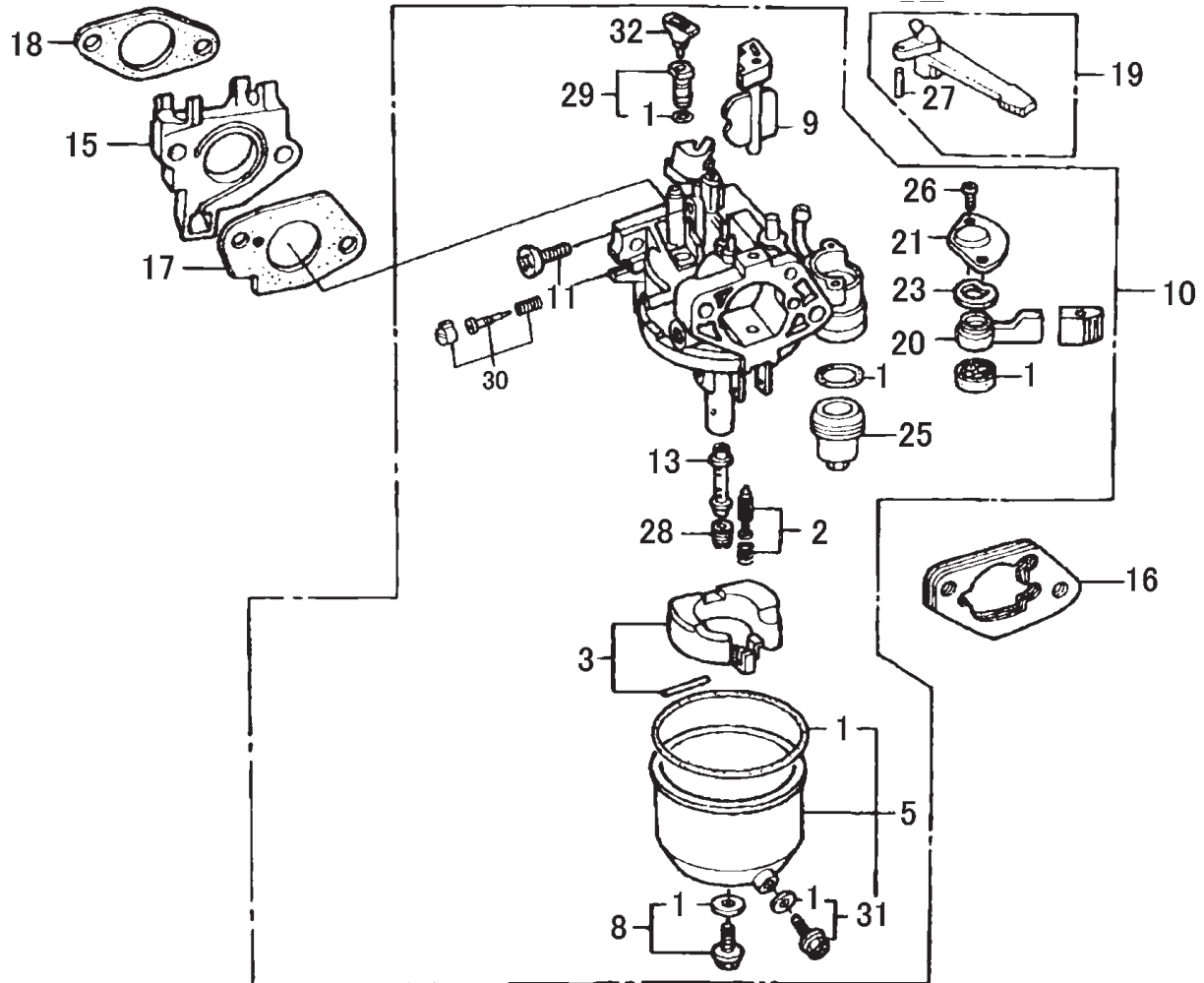
---

### CAMSHAFT ASSY.

<u>NO.</u>	<u>PART NO.</u>	<u>PART NAME</u>	<u>QTY.</u>	<u>REMARKS</u>
1	14100ZE3020	CAMSHAFT ASSY .....	1 .....	INCLUDES ITEM W/*
2	14410ZE2013	ROD,PUSH	2	
3	14431ZE2010	ARM,VALVE ROCKER	2	
4	14441ZE2000	LIFTER,VALVE	2	
5	14451ZE1013	PIBOT,ROCKER ARM	2	
6*	14568ZE1000	SPRING,WEIGHT RETURN	1	
7	14711ZE2000	VALVE, IN.	1	
8	14721ZE2000	VALVE, EX.	1	
9	14751ZE2003	SPRING,VALVE	2	
10	14771ZE2000	RETAINER,IN.VALVE SPRING	1	
11	14773ZE2000	RETAINER,EX.VALVE SPRING	1	
12	14781ZE2000	ROTATOR,VALVE	1	
13	14791ZE2010	PLATE,PUSH ROD GUIDE	1	
14	90012ZE0010	PIBOT BOLT 8MM	2	
15	90206ZE1000	NUT,PIBOT ADJUSTING	2	
16	12209ZE8003	SEAL, VALVE STEM	1	

# GX270K1SMX2 — CARBURETOR ASSY.

CARBURETOR ASSY.



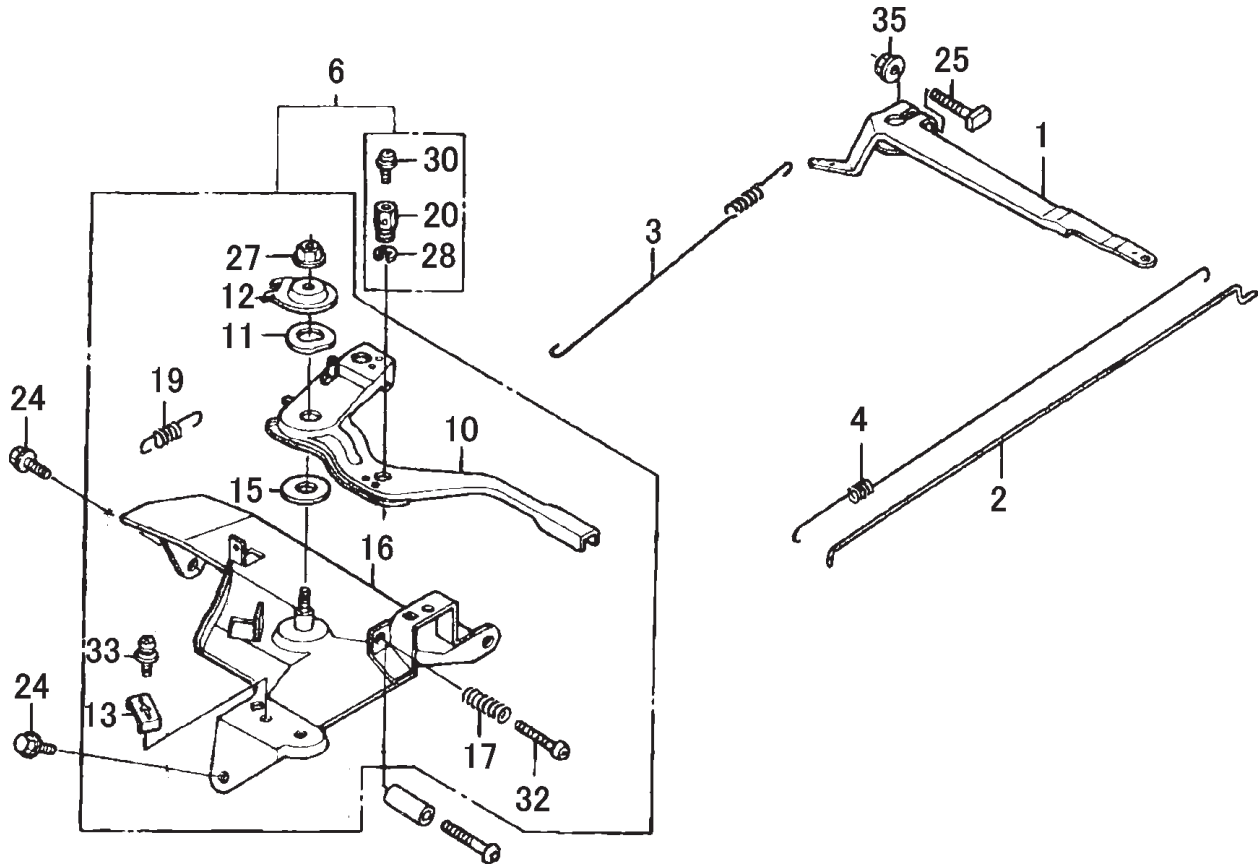
## GX270K1SMX2 — CARBURETOR ASSY.

### CARBURETOR ASSY.

<u>NO.</u>	<u>PART NO.</u>	<u>PART NAME</u>	<u>QTY.</u>	<u>REMARKS</u>
1*%	16010ZE2812	GASKET SET	1	
2*	16011ZA0931	VALVE SET,FLOAT	1	
3*	16013ZA0931	FLOAT SET	1	
5*	16015ZE8005	CHAMBER SET,FLOAT .....	1	INCLUDES ITEM W/%
8*	16028ZE0005	SCREW SET	1	
9*	16044ZE2005	CHOKE SET	1	
10	16100ZH9W21	CARBURETOR ASSY. (BE75B) .....	1	INCLUDES ITEM W/*
11*	16124ZE0005	SCREW, THROTTLE STOP	1	
13*	16166ZH9W20	NOZZLE, MAINE	1	
14*	16173001004	PACKING,CUP	1	
15	16211ZE2000	INSULATOR, CARBURETOR	1	
16	16220ZA0702	SPACER COMP.,CARBURETOR	1	
17	16221ZA0800	PACKING, CARBURETOR	1	
18	16223ZA0800	PACKING, INSULATOR	1	
19	16610ZE1000	CHOKE LEVER COMP. ....	1	INCLUDES ITEM W/+
20	16953ZE1812	LEVER,COCK	1	
21*	16954ZE1812	PLATE,LEVER SETTING	1	
23*	16956ZE1811	SPRING,COCK LEVER	1	
24*	16957ZE1812	PACKING,FUEL COCK	1	
25*	16967ZE0811	CUP,FUEL STRAINER	1	
26*	93500030061H	SCREW 3X6	2	
27+	9430520122	SPRING PIN 2X12	1	
28*	99101ZH80800	JET, MAIN, #80	1	
29*	99204ZE20400	JET SET,PILOT, #40	1	
30*	16016ZH7W01	SCREW SET	1	
31*%	16024ZE1811	DRAIN SCREW SET	1	
32*	16172ZE3W10	COLLAR SET	1	

# GX270K1SMX2 — CONTROL ASSY.

CONTROL ASSY.



## GX270K1SMX2 — CONTROL ASSY.

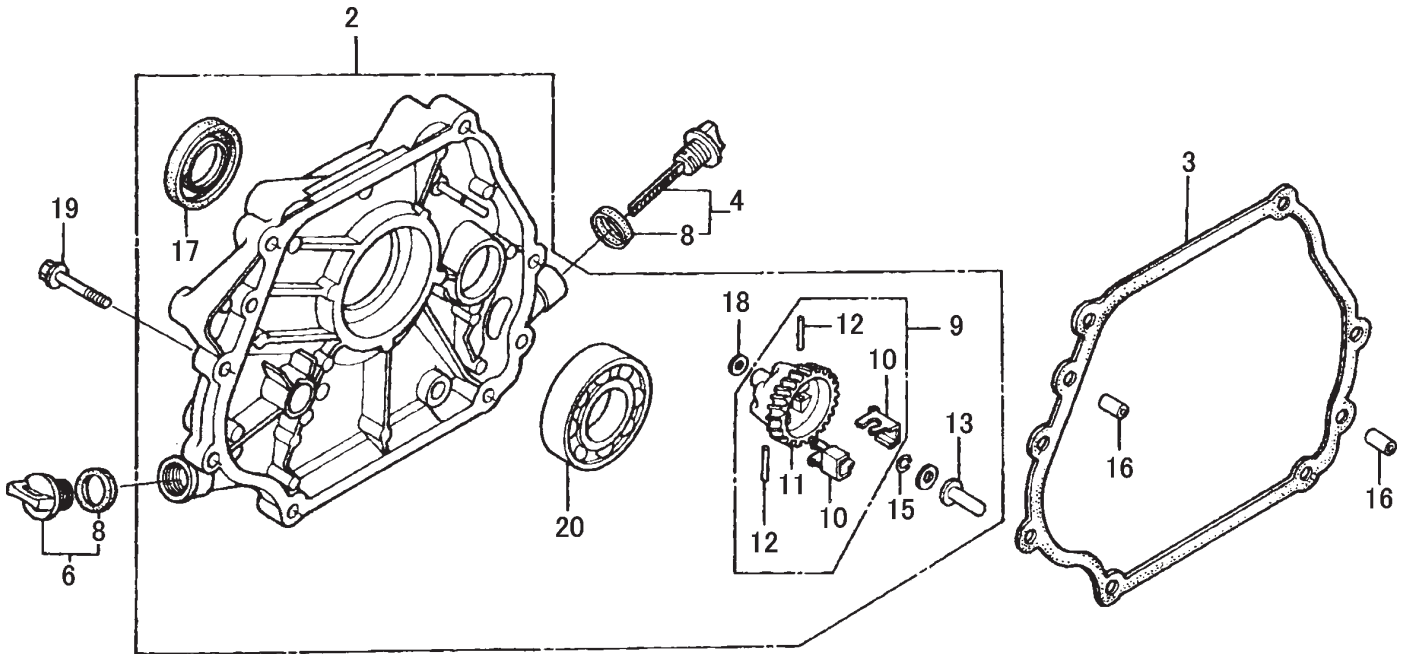
---

### CONTROL ASSY.

<u>NO.</u>	<u>PART NO.</u>	<u>PART NAME</u>	<u>QTY.</u>	<u>REMARKS</u>
1	16551ZE2000	ARM, GOVERNOR	1	
2	16555ZE2000	ROD, GOVERNOR	1	
3	16561ZE2000	SPRING, GOVERNOR	1	
4	16562ZE2000	SPRING, THROTTLE RETURN	1	
6	16570ZE2W10	CONTROL ASSY.(REMOTE) .....	1	..... INCLUDES ITEM W/*
10*	16571ZE2W00	LEVER, CONTROL	1	
11*	16574ZE1000	LEVER SPRING	1	
12*	16575ZE2W00	WASHER, CONTROL LEVER	1	
13*	16576891000	HOLDER, CABLE	1	
15*	16578ZE1000	SPACER, CONTROL LEVER	1	
16*	16581ZE2W00	BASE COMP., CONTROL	1	
17*	16584883300	ADJUSTING SPRING	1	
19*	16592883310	SPRING, CABLE RETURN	1	
20*	16594883010	HOLDER, WIRE	1	
24	90013883000	FLANGE BOLT 6X12	2	
25	90015ZE5010	BOLT, GOVERNOR ARM	1	
27*	90114SA0000	LOCK NUT 6MM	1	
28*	90605230000	CIR CLIP	1	
30*	93500040060H	SCREW 4X6	1	
32*	93500050280A	SCREW, PAN 5X28	1	
33*	93500050160A	SCREW 5X16	1	
35	9405006000	FLANGE NUT 6MM	1	

# GX270K1SMX2 — CRANKCASE COVER ASSY.

CRANKCASE COVER ASSY.



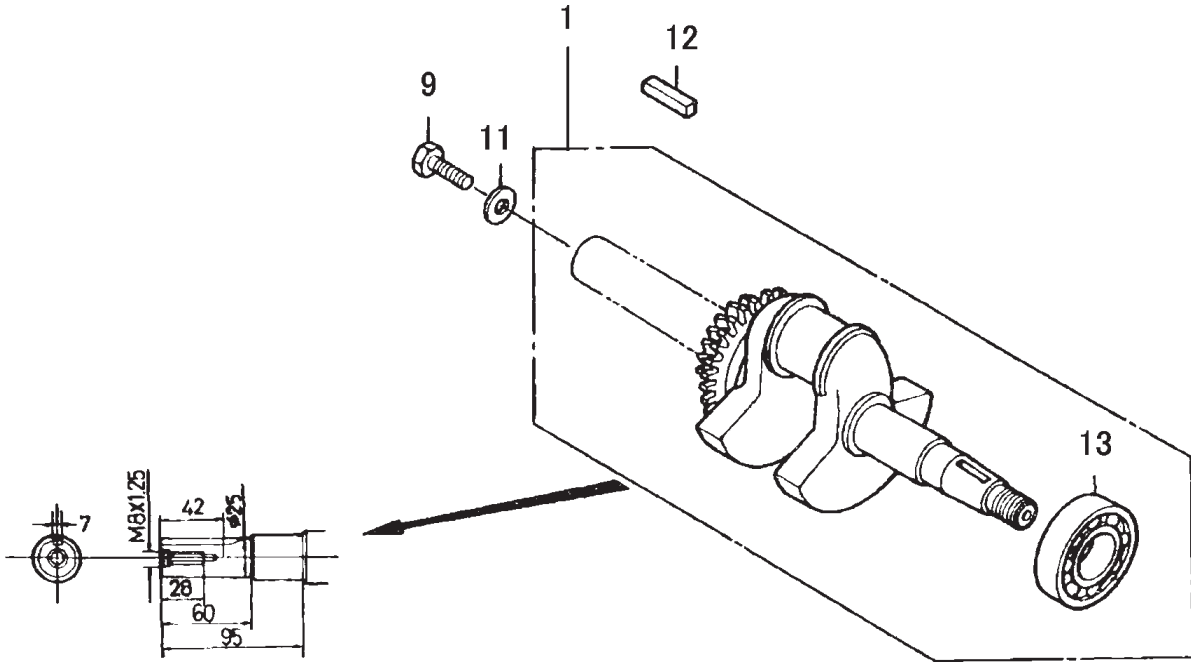
## GX270K1SMX2 — CRANKCASE COVER ASSY.

### CRANKCASE COVER ASSY.

<u>NO.</u>	<u>PART NO.</u>	<u>PART NAME</u>	<u>QTY.</u>	<u>REMARKS</u>
2	11300ZH9S50	COVER ASSY., CRANKCASE .....	1 .....	INCULDES ITEM W/*
3	11381ZE2801	PACKINNG,CASE COVER	1	
4	15600735003	CAP ASSY.,OIL FILLER .....	1 .....	INCLUDES ITEM W/%
6	15600ZG4003	OIL PLUG .....	1 .....	INCLUDES ITEM W/%
8%	15625ZE1003	PACKING, OIL FILLER CAP	2	
9*	16510ZE2000	GOVERNOR ASSY.....	1 .....	INCLUDES ITEM W/+
10*+	16511ZE2000	WEIGHT, GOVERNOR	2	
11*+	16512ZE2000	HOLDER, GOVERNOR WEIGHT	1	
12*+	16513ZE2000	PIN,GOVERNOR WEIGHT	2	
13*	16531Z0A000	SLIDER, GOVERNOR	1	
15*	90602ZE1000	CLIP, GOVERNOR HOLDER	1	
16	90701HC4000	PIN,DOWEL 8X12	2	
17*	91201890003	OIL SEAL, 30X46X8	1	
18*	9410106800	PLAIN WASHER 6MM	1	
19	957010803500	FLANGE BOLT 8X35	7	
20*	961006206000	BALL BEARING 6206	1	

# GX270K1SMX2 — CRANKSHAFT ASSY.

CRANKSHAFT ASSY.





## **GX270K1SMX2 — CRANKSHAFT ASSY.**

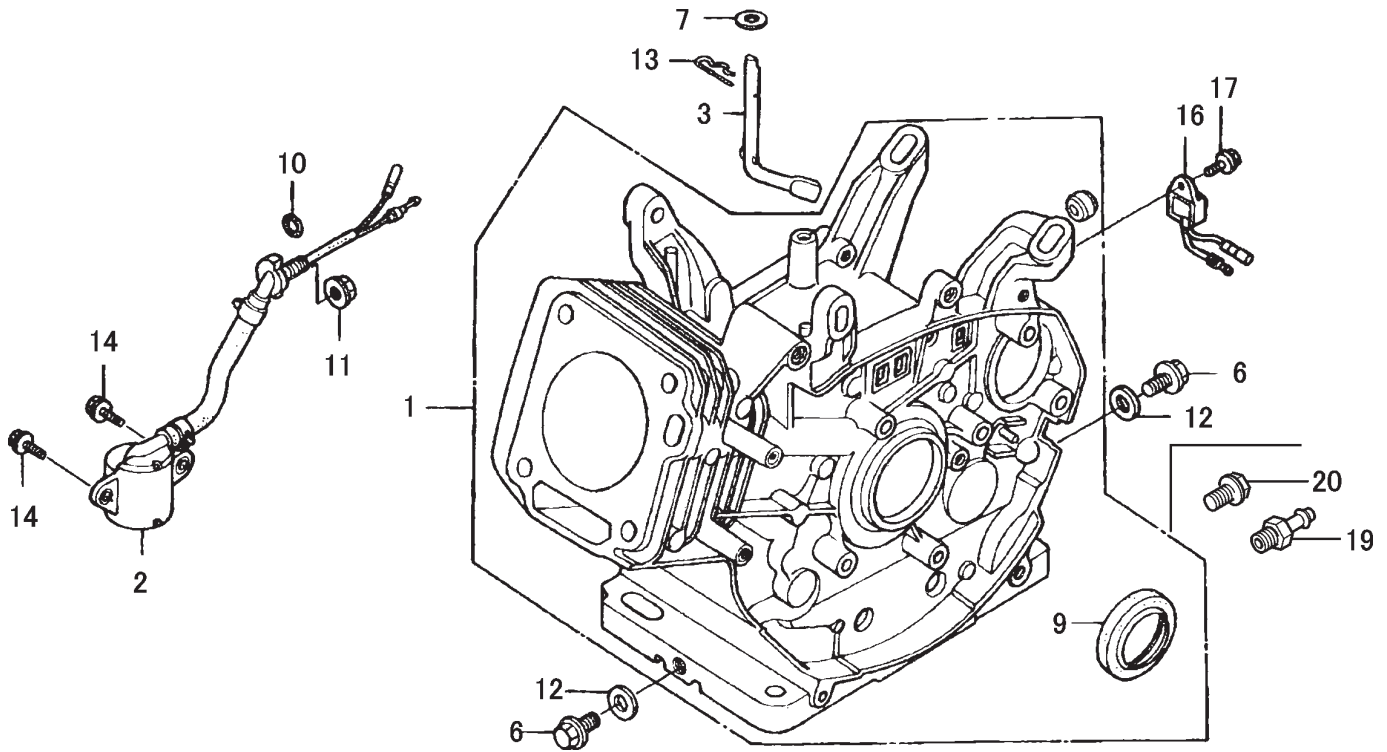
---

### CRANKSHAFT ASSY.

<u>NO.</u>	<u>PART NO.</u>	<u>PART NAME</u>	<u>QTY.</u>	<u>REMARKS</u>
1	13310ZH9000	CRANK SHAFT COMP. ....	1 .....	INCULDES ITEM W/*
9	92101080250A	BOLT 8X25	1	
11	90534706010	WASHER, LOCK 8MM	1	
12	951400110	KEY 7X7X35	1	
13*	91001ZH9003	BEARING, BALL (6206 SH)	1	

# GX270K1SMX2 — CYLINDER BARREL ASSY.

CYLINDER BARREL ASSY.



## **GX270K1SMX2 — CYLINDER BARREL ASSY.**

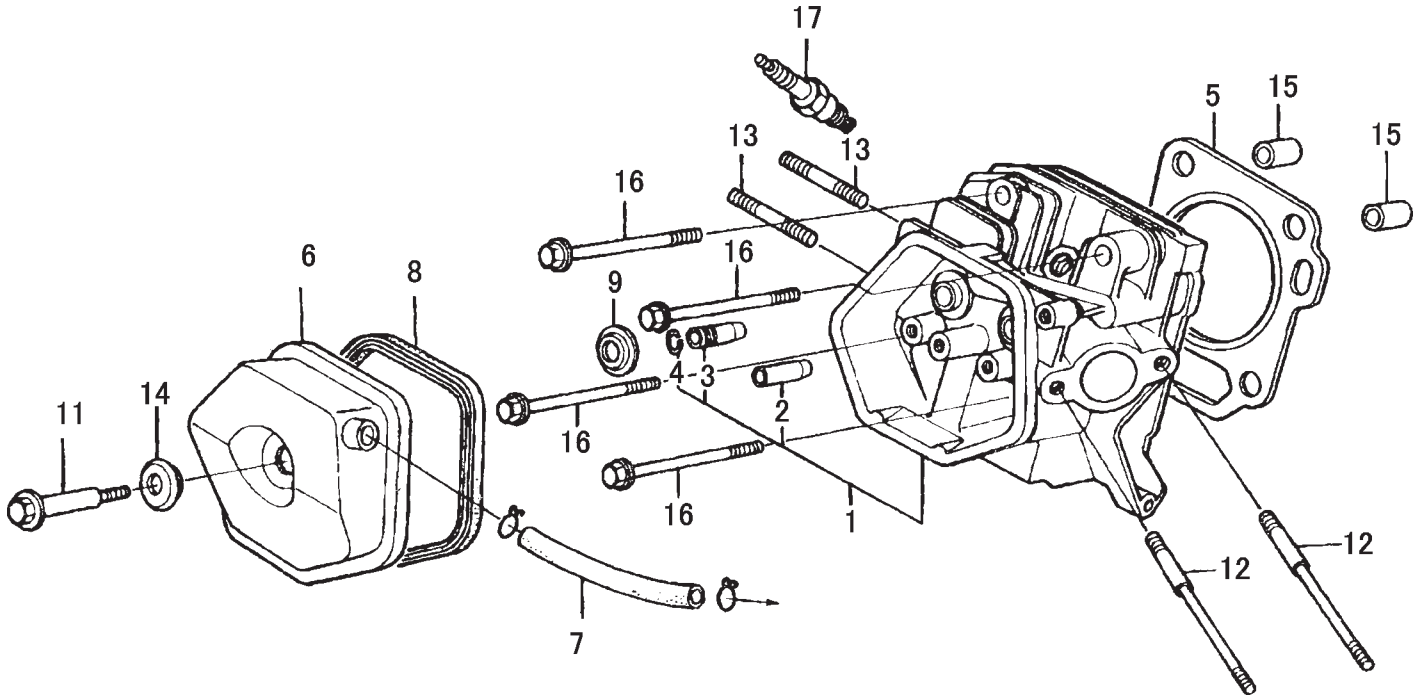
---

### CYLINDER BARREL ASSY.

<u>NO.</u>	<u>PART NO.</u>	<u>PART NAME</u>	<u>QTY.</u>	<u>REMARKS</u>
1	12000ZH9406	BARREL ASSY.,CYLINDER .....	1 .....	INCULDES ITEM W/*
2	15510ZE2043	SWITCH ASSY,OIL LEVEL	1	
3	16541ZE2010	SHAFT,GOVERNOR ARM	1	
6	90131883000	BOLT,DRAIN PLUG	2	
7	90446KE1000	WASHER 8.2X17X0.8	1	
9*	91201890003	OIL SEAL, 30X46X8	1	
10	91353671004	O-RING 14MM	1	
11	9405010000	FLANGE NUT M10	1	
12	9410912000	WASHER,DRAIN PLUG M12	2	
13	9425110000	PIN,LOCK 10MM	1	
14	957010601200	FLANGE BOLT 6X12	2	
16	34150ZH7003	ALERT UNIT, OIL	1	
17	90013883000	FLANGE BOLT 6X12	1	
19	90131ZE3790	DRAIN JOINT	1	
20	9280012000	BOLT, DRAIN PLUG 12MM	1	

# GX270K1SMX2 — CYLINDER HEAD ASSY.

CYLINDER HEAD ASSY.



## **GX270K1SMX2 — CYLINDER HEAD ASSY.**

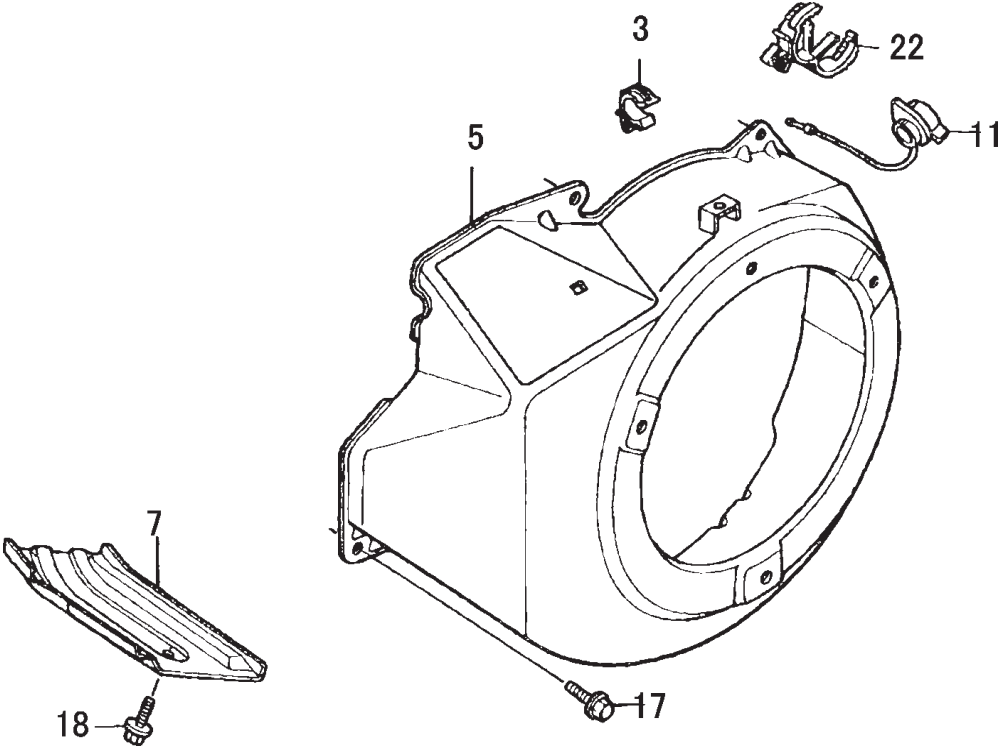
---

### CYLINDER HEAD ASSY.

<u>NO.</u>	<u>PART NO.</u>	<u>PART NAME</u>	<u>QTY.</u>	<u>REMARKS</u>
1	12200ZH9000	HEAD COMP.,CYLINDER .....	1 .....	INCULDES ITEM W/*
2*	12204ZE2306	GUIDE,IN.VALVE(OVERSIZE)	1	
3*	12205ZE2305	GUIDE,EX.VALVE(OVERSIZE)	1	
4*	12216ZE2300	CLIP,VALVE GUIDE	1	
5	12251ZH9000	GASKET, CYLINDER HEAD	1	
6	12310ZE2020	COVER COMP.,HEAD	1	
7	950051110030	TUBE,11X100	1	
8	12391ZE2020	PACKING,HEAD COVER	1	
9	14775ZE2010	SEAT,VALVE SPRING	1	
11	90014ZE2000	BOLT,HEAD COVER	1	
12	90042ZE2000	BOLT,STUD 8X123	2	
13	92900080320E	BOLT,STUD 8X32	2	
14	90441ZE2010	WASHER COMP.,HEAD COVER	1	
15	9430112200	PIN,DOWEL 12X20	2	
16	957251008000	BOLT,FLANGE 10X80	4	
17	9807955846	PLUG, SPARK (BPR5ES)	1	

**GX270K1SMX2 — FAN COVER ASSY.**

FAN COVER ASSY.



## **GX270K1SMX2 — FAN COVER ASSY.**

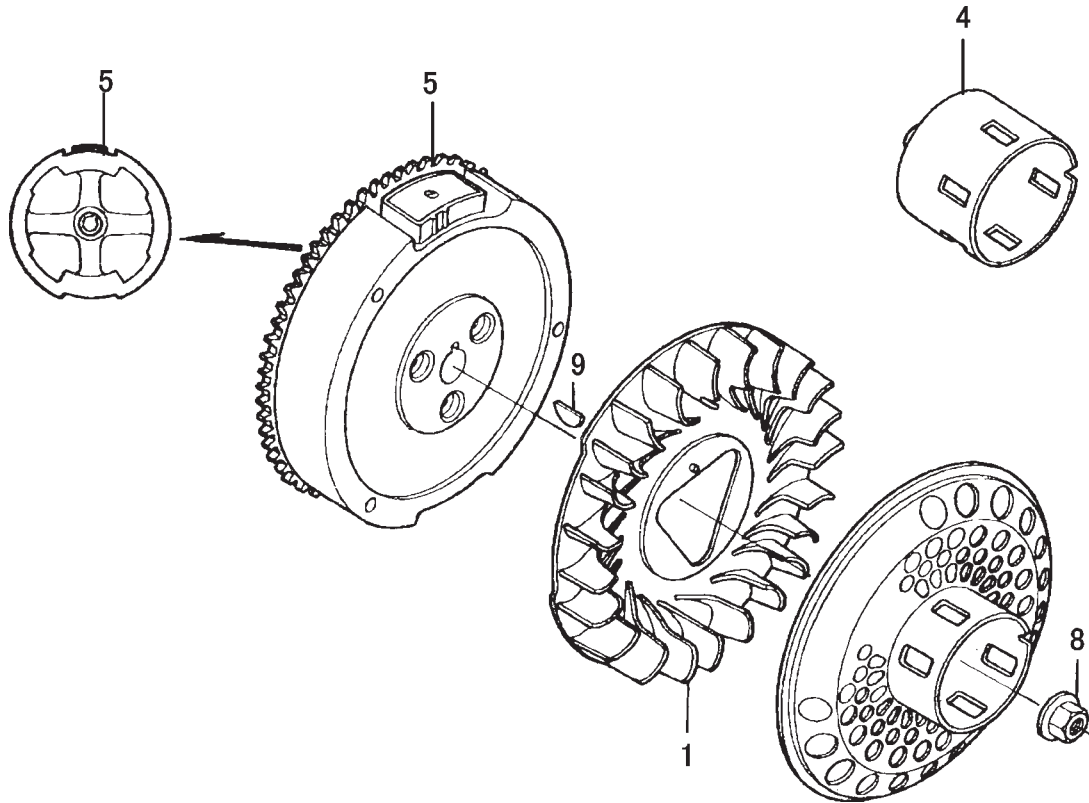
---

FAN COVER ASSY.

<u>NO.</u>	<u>PART NO.</u>	<u>PART NAME</u>	<u>QTY.</u>	<u>REMARKS</u>
3	16731ZE2003	CLIP,TUBE	1	
5	19610ZE2010ZC	COVER COMP.,FAN /BLACK	1	
7	19631ZE2D00	SHROUD	1	
11	36100ZH7003	STOP SWITCH ASSY.	1	
17	90013883000	FLANGE BOLT 6X12	5	
18	90013883000	FLANGE BOLT 6X12	1	
22	90684ZA0601	CLIP, HARNESS	1	

# GX270K1SMX2 — FLYWHEEL ASSY.

FLYWHEEL ASSY.





## **GX270K1SMX2 — FLYWHEEL ASSY.**

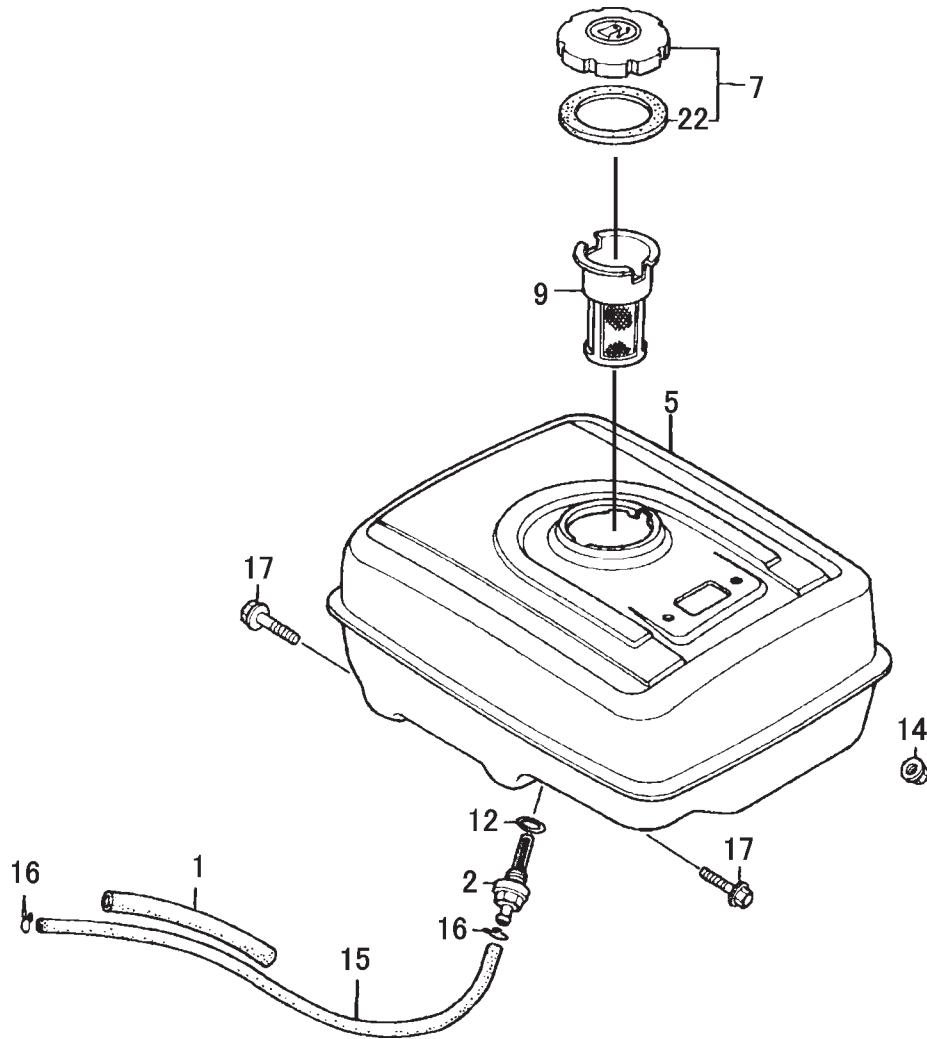
---

FLYWHEEL ASSY.

<u>NO.</u>	<u>PART NO.</u>	<u>PART NAME</u>	<u>QTY.</u>	<u>REMARKS</u>
1	19511ZE2000	FAN, COOLING	1	
4	28451ZE2W01	PULLEY, STARTER	1	
5	31100ZE2010	FLYWHEEL COMP.	1	
8	90201ZE3V00	NUT,SPECIAL 16MM	1	
9	90741ZE2000	KEY,SPECIAL WOODRUFF25X18	1	

# GX270K1SMX2 — FUEL TANK ASSY.

FUEL TANK ASSY.



## GX270K1SMX2 — FUEL TANK ASSY.

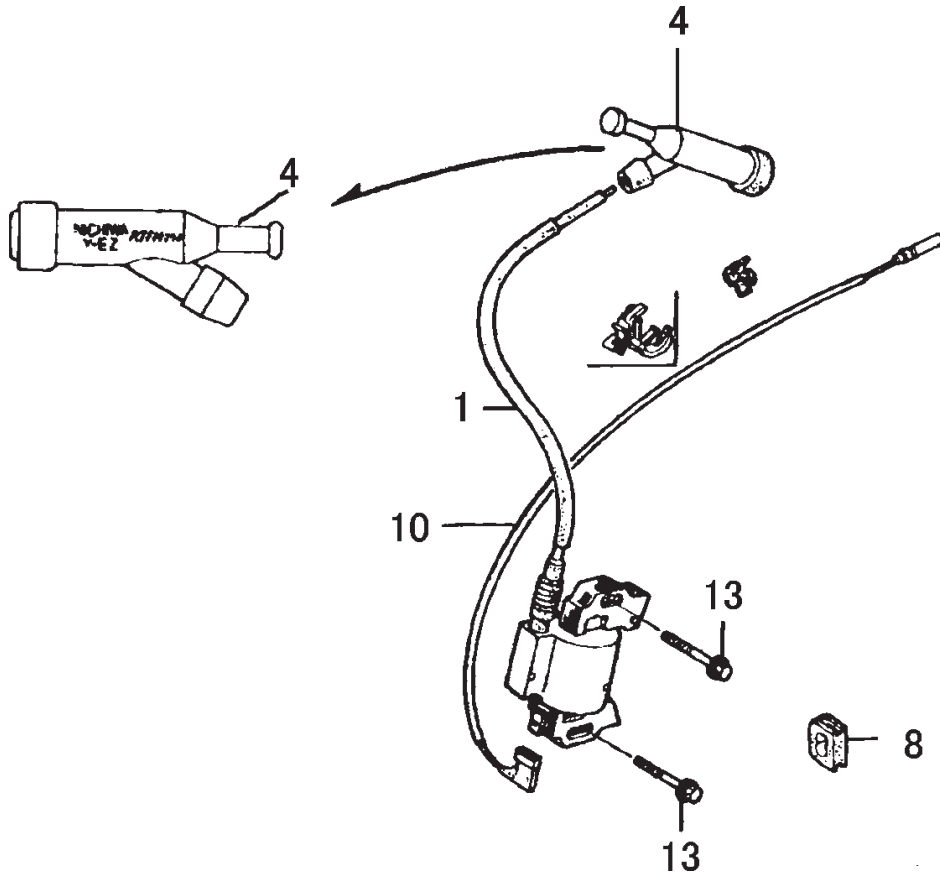
---

### FUEL TANK ASSY.

<u>NO.</u>	<u>PART NO.</u>	<u>PART NAME</u>	<u>QTY.</u>	<u>REMARKS</u>
1	16854ZH8000	RUBBER,SUPPORT(107MM)	1	
2	16955ZE1000	JOINT,FUEL TANK	1	
5	17510ZE2020ZD	TANK COMP., FUEL NH1	1	
7	17620Z0T814	CAP COMP., FUEL FILLER .....	1 .....	INCLUDES ITEM W/*
9	17672ZE2W01	FUEL FILTER	1	
12	91353671004	O-RING 14MM	1	
14	9405008000	FLANGE NUT M8	2	
15	950014522240	TUBE, FUEEL 4.5X222	1	
16	9500202080	CLIP, TUBE	2	
17	957010802500	FLANGE BOLT 8X25	2	
22*	17631Z0T812	PAKING, FUEL FILLER CAP	1	

# GX270K1SMX2 — IGNITION COIL ASSY.

IGNITION COIL ASSY.



## **GX270K1SMX2 — IGNITION COIL ASSY.**

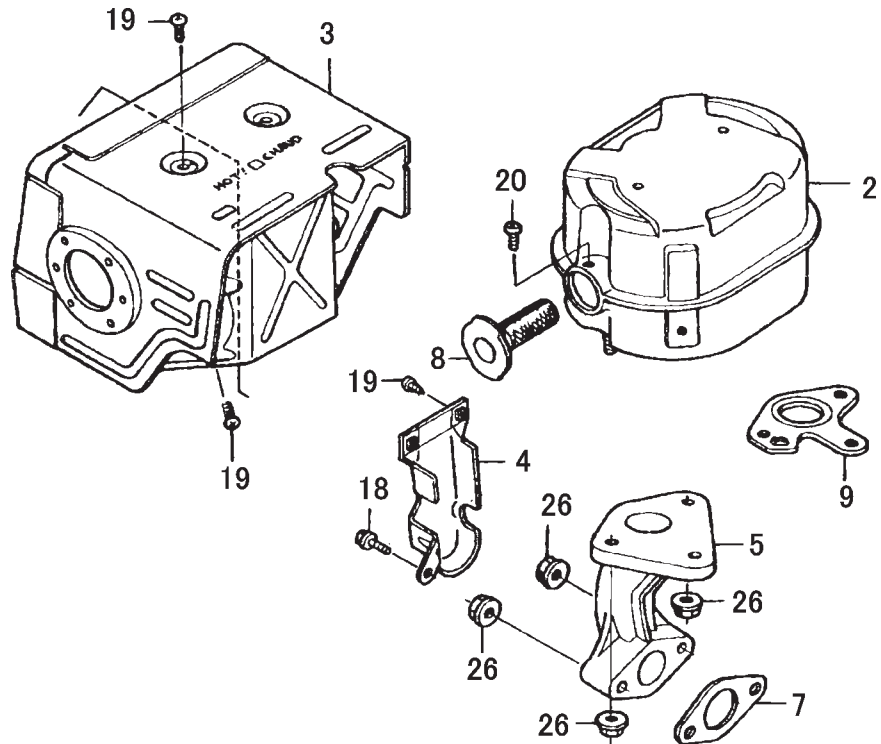
---

IGNITION COIL ASSY.

<u>NO.</u>	<u>PART NO.</u>	<u>PART NAME</u>	<u>QTY.</u>	<u>REMARKS</u>
1	30500-ZF6-W02	COIL AY,IGNITION/GX390	1	
4	30700-ZE1-013	CAP ASSY.	1	
8	31512-ZE2-000	GROMMET,CORD	1	
10	36101-ZE1-010	CORD,STOP SWITCH 370MM	1	
13	90015-883-000	FLANGE BOLT 6X28	1	

# GX270K1SMX2 — MUFFLER ASSY.

MUFFLER ASSY.



## GX270K1SMX2 — MUFFLER ASSY.

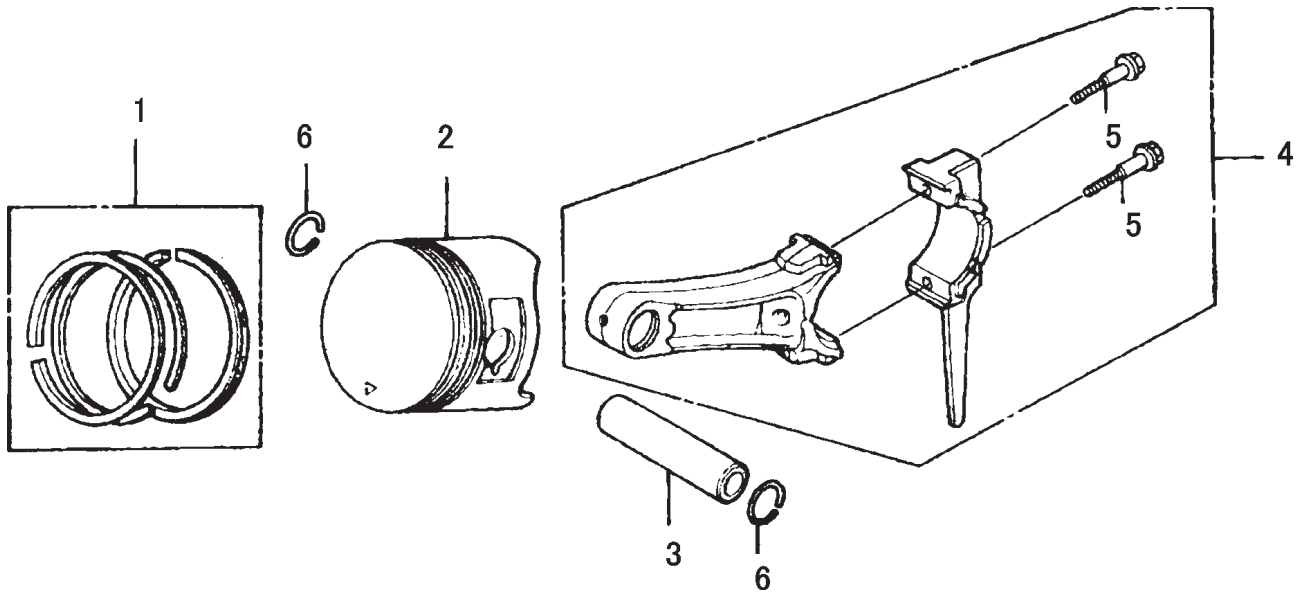
---

### MUFFLER ASSY.

<u>NO.</u>	<u>PART NO.</u>	<u>PART NAME</u>	<u>QTY.</u>	<u>REMARKS</u>
2	18310ZE2W00	MUFFLER COMP.	1	
3	18320ZE2W01	PROTECTOR COMP.,MUFFLER	1	
4	18323ZE2W00	PROTECTOR, EXHAUST PIPE	1	
5	18330ZE2W00	PIPE,EXHAUST	1	
7	18333ZE3800	GASKET	1	
8	18355ZE2010	ARRESTER, SPARK	1	
9	18381ZE2W10	GASKET,MUFFLER(ARRESTER)	1	
18	90013883000	FLANGE BOLT 6X12	1	
19	90050ZE1000	TAPPING SCREW 5X8	6	
26	9405008000	FLANGE NUT M8	3	
29	90050ZE1000	TAPPING SCREW 5X8	1	

# GX270K1SMX2 — PISTON ASSY.

PISTON ASSY.





## GX270K1SMX2 — PISTON ASSY.

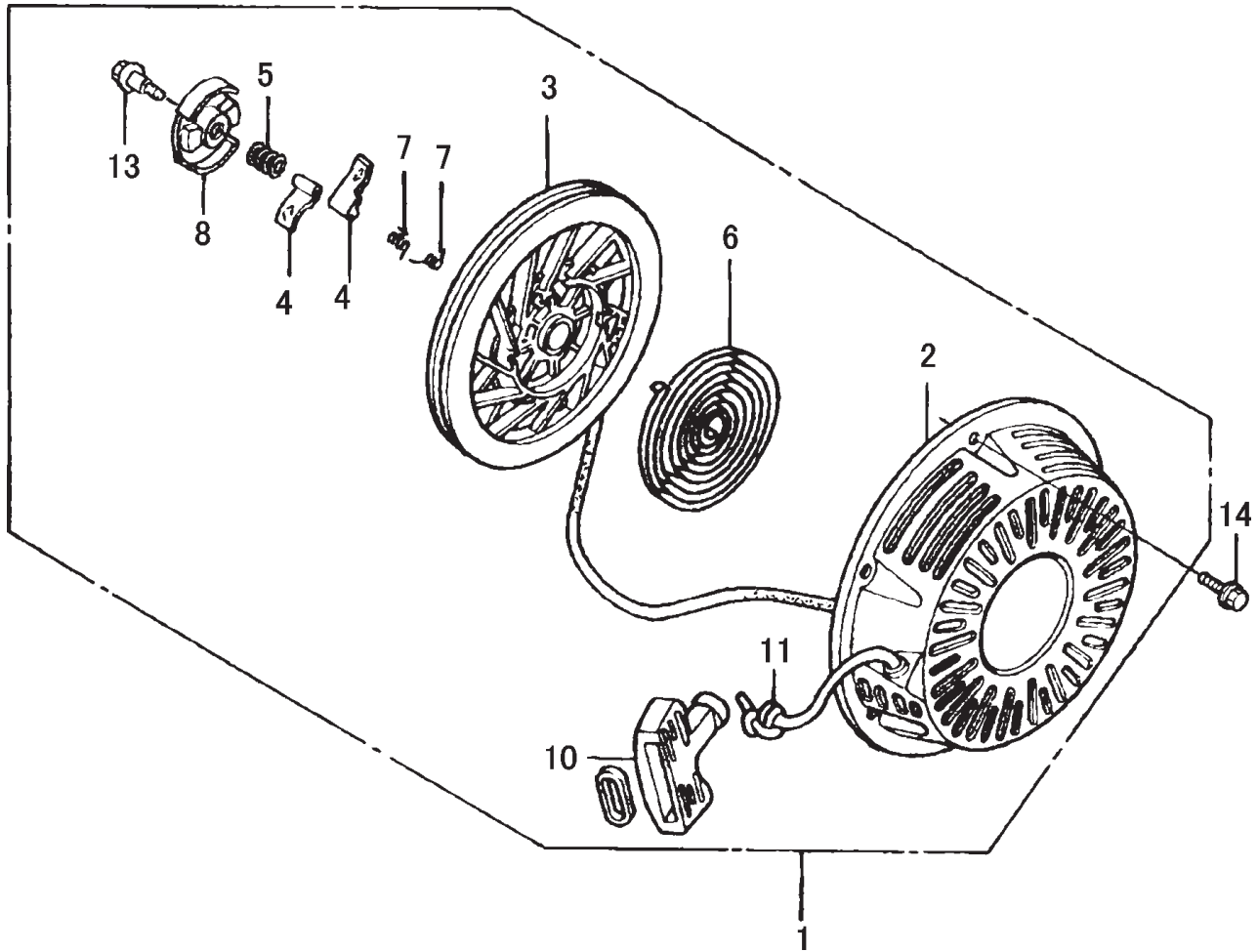
---

PISTON ASSY.

<u>NO.</u>	<u>PART NO.</u>	<u>PART NAME</u>	<u>QTY.</u>	<u>REMARKS</u>
1	13010ZE8601	RING SET, PISTON (STD)	1	
2	13101ZH9000	PISTON (STD)	1	
3	13111ZE2000	PIN ,PISTON	1	
4	13200E2010	ROD ASSY., CONNECTING (STD) .....	1 .....	INCLUDES ITEM W/*
5*	90001E8000	BOLT, CONNECTING ROD	2	
6	90551E1000	CLIP, PISTON PIN 18MM	2	

# GX270K1SMX2 — RECOIL STARTER ASSY.

RECOIL STARTER ASSY.



## **GX270K1SMX2 — RECOIL STARTER ASSY.**

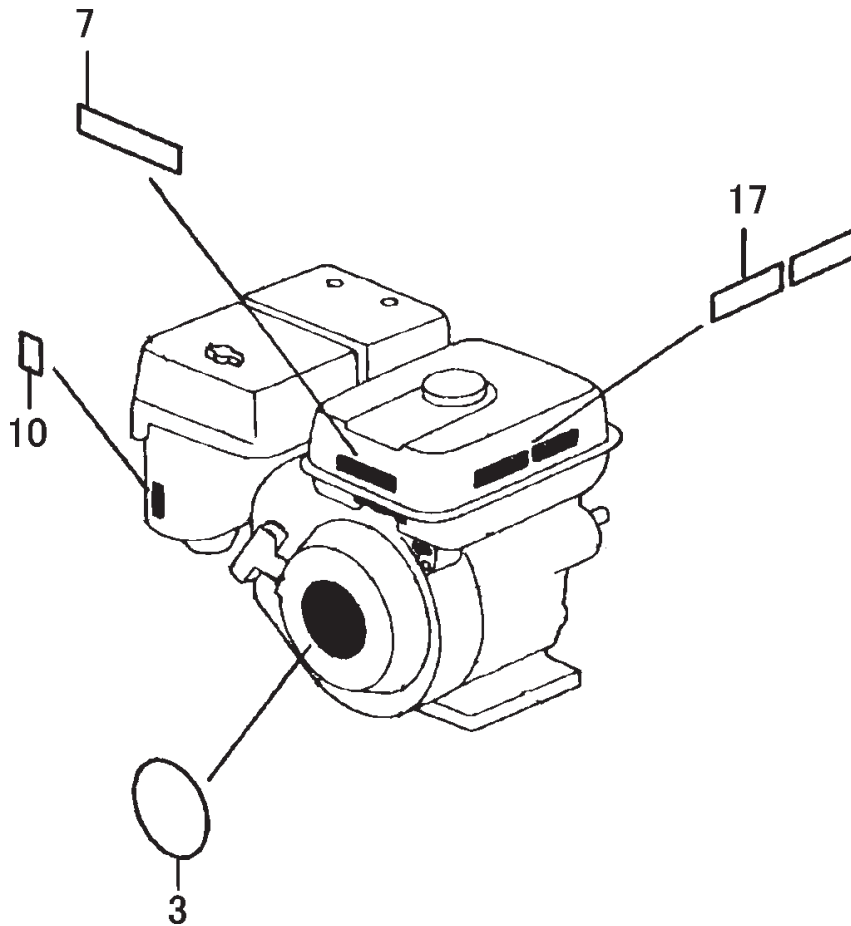
---

### RECOIL STARTER ASSY.

<u>NO.</u>	<u>PART NO.</u>	<u>PART NAME</u>	<u>QTY.</u>	<u>REMARKS</u>
1	28400ZE2W01ZB	RECOIL STARTER AY/GX240,B .....	1 .....	INCLUDES ITEM W/*
2*	28410ZE2W01ZB	CASE COMP.,RECOIL STARTER	1	
3*	28421ZE2W01	PULLEY,RECOIL STARTER	1	
4*	28422ZE2W01	RATCHET,STARTER	2	
5*	28441ZE2W01	SPRING,FRICITION	1	
6*	28442ZE2W01	SPRING,STARTER RETURN	1	
7*	28443ZE2W01	SPRING,RATCHET	2	
8*	28444ZE2W01	RETAINER,SPRING	1	
10*	28461ZE2W02	GRIP,STARTER	1	
11*	28462ZE2W11	ROPE, RECOIL STARTER	1	
13*	90004ZE2W01	SCREW,CENTER	1	
14	90008ZE2003	BOLT,FLANGE 6X10	3	

# GX270K1SMX2 — LABELS ASSY.

LABELS ASSY.



## GX270K1SMX2 — LABELS ASSY.

---

LABELS ASSY.

<u>NO.</u>	<u>PART NO.</u>	<u>PART NAME</u>	<u>QTY.</u>	<u>REMARKS</u>
3	87521ZH9030	EMBLEM	1	
7	87522ZH9010	RABEL /GX120K1	1	
10	87528ZE2810	MARK,CHOKE(ORANGE)	1	
17	87532ZH8810	LABEL	1	

# PARTS MANUAL

## HERE'S HOW TO GET HELP

PLEASE HAVE THE MODEL AND SERIAL  
NUMBER ON-HAND WHEN CALLING

### UNITED STATES

#### *Multiquip Inc.*

(310) 537- 3700  
6141 Katella Avenue Suite 200  
Cypress, CA 90630  
E-MAIL: [mq@multiquip.com](mailto:mq@multiquip.com)  
WEBSITE: [www.multiquip.com](http://www.multiquip.com)

### CANADA

#### *Multiquip*

(450) 625-2244  
4110 Industriel Boul.  
Laval, Quebec, Canada H7L 6V3  
E-MAIL: [infocanada@multiquip.com](mailto:infocanada@multiquip.com)

### UNITED KINGDOM

#### *Multiquip (UK) Limited Head Office*

0161 339 2223  
Unit 2, Northpoint Industrial Estate,  
Globe Lane,  
Dukinfield, Cheshire SK16 4UJ  
E-MAIL: [sales@multiquip.co.uk](mailto:sales@multiquip.co.uk)

© COPYRIGHT 2020, MULTIQUIP INC.

Multiquip Inc, the MQ logo are registered trademarks of Multiquip Inc. and may not be used, reproduced, or altered without written permission. All other trademarks are the property of their respective owners and used with permission.

This manual MUST accompany the equipment at all times. This manual is considered a permanent part of the equipment and should remain with the unit if resold.

The information and specifications included in this publication were in effect at the time of approval for printing. Illustrations, descriptions, references and technical data contained in this manual are for guidance only and may not be considered as binding. Multiquip Inc. reserves the right to discontinue or change specifications, design or the information published in this publication at any time without notice and without incurring any obligations.

Your Local Dealer is:

