

PARTS MANUAL



Mikasa SERIES
MODEL MVH508GV
REVERSIBLE PLATE COMPACTOR
(B&S VANGUARD 400 GASOLINE ENGINE)

Revision #0 (06/26/23)

To find the latest revision of this publication or associated operation manual, visit our website at: www.multiquip.com



THIS MANUAL MUST ACCOMPANY THE EQUIPMENT AT ALL TIMES.

TABLE OF CONTENTS

MVH508GV Reversible Plate Compactor

Explanation Of Code In Remarks Column..... 4
Suggested Spare Parts 5

Component Drawings

Nameplate And Decals 6-7
Vibrating Plate Assembly 8-9
Vibrator Assembly..... 10-11
Base And Engine Assembly..... 12-15
Electric Device Assembly 16-19
Battery Assembly 20-21
Control Assembly..... 22-25
Hand Pump (Exp.) Assembly..... 26-27
Engine Service Parts 28-29

NOTICE
Specifications and part numbers are subject to change without notice.

EXPLANATION OF CODE IN REMARKS COLUMN

The following section explains the different symbols and remarks used in the Parts section of this manual. Use the help numbers found on the back page of the manual if there are any questions.

NOTICE

The contents and part numbers listed in the parts section are subject to change without notice. Multiquip does not guarantee the availability of the parts listed.

SAMPLE PARTS LIST

NO.	PART NO.	PART NAME
QTY.		REMARKS
1	12345	BOLT1INCLUDES ITEMS W/%
2%		WASHER, 1/4 IN.NOT SOLD SEPARATELY
2%	12347	WASHER, 3/8 IN. ...1MQ-45T ONLY
3	12348	HOSEA/R ...MAKE LOCALLY
4	12349	BEARING1S/N 2345B AND ABOVE

NO. Column

Unique Symbols — All items with same unique symbol (@, #, +, %, or >) in the number column belong to the same assembly or kit, which is indicated by a note in the “Remarks” column.

Duplicate Item Numbers — Duplicate numbers indicate multiple part numbers, which are in effect for the same general item, such as different size saw blade guards in use or a part that has been updated on newer versions of the same machine.

NOTICE

When ordering a part that has more than one item number listed, check the remarks column for help in determining the proper part to order.

PART NO. Column

Numbers Used — Part numbers can be indicated by a number, a blank entry, or TBD.

TBD (To Be Determined) is generally used to show a part that has not been assigned a formal part number at the time of publication.

A blank entry generally indicates that the item is not sold separately or is not sold by Multiquip. Other entries will be clarified in the “Remarks” Column.

QTY. Column

Numbers Used — Item quantity can be indicated by a number, a blank entry, or A/R.

A/R (As Required) is generally used for hoses or other parts that are sold in bulk and cut to length.

A blank entry generally indicates that the item is not sold separately. Other entries will be clarified in the “Remarks” Column.

REMARKS Column

Some of the most common notes found in the “Remarks” Column are listed below. Other additional notes needed to describe the item can also be shown.

Assembly/Kit — All items on the parts list with the same unique symbol will be included when this item is purchased.

Indicated by:

“INCLUDES ITEMS W/(unique symbol)”

Serial Number Break — Used to list an effective serial number range where a particular part is used.

Indicated by:

“S/N XXXXX AND BELOW”

“S/N XXXX AND ABOVE”

“S/N XXXX TO S/N XXX”

Specific Model Number Use — Indicates that the part is used only with the specific model number or model number variant listed. It can also be used to show a part is NOT used on a specific model or model number variant.

Indicated by:

“XXXXX ONLY”

“NOT USED ON XXXX”

“Make/Obtain Locally” — Indicates that the part can be purchased at any hardware shop or made out of available items. Examples include battery cables, shims, and certain washers and nuts.

“Not Sold Separately” — Indicates that an item cannot be purchased as a separate item and is either part of an assembly/kit that can be purchased, or is not available for sale through Multiquip.

SUGGESTED SPARE PARTS

MVH508GV PLATE COMPACTOR

1 to 3 units

Qty.	P/N	Description
4.....	939010010.....	SHOCKABSORB, STOPPER
4.....	939010260.....	SHOCK ABSORBER
2.....	070200463.....	V-BELT B-45
1.....	956100069.....	THROTTLE WIRE

NOTICE

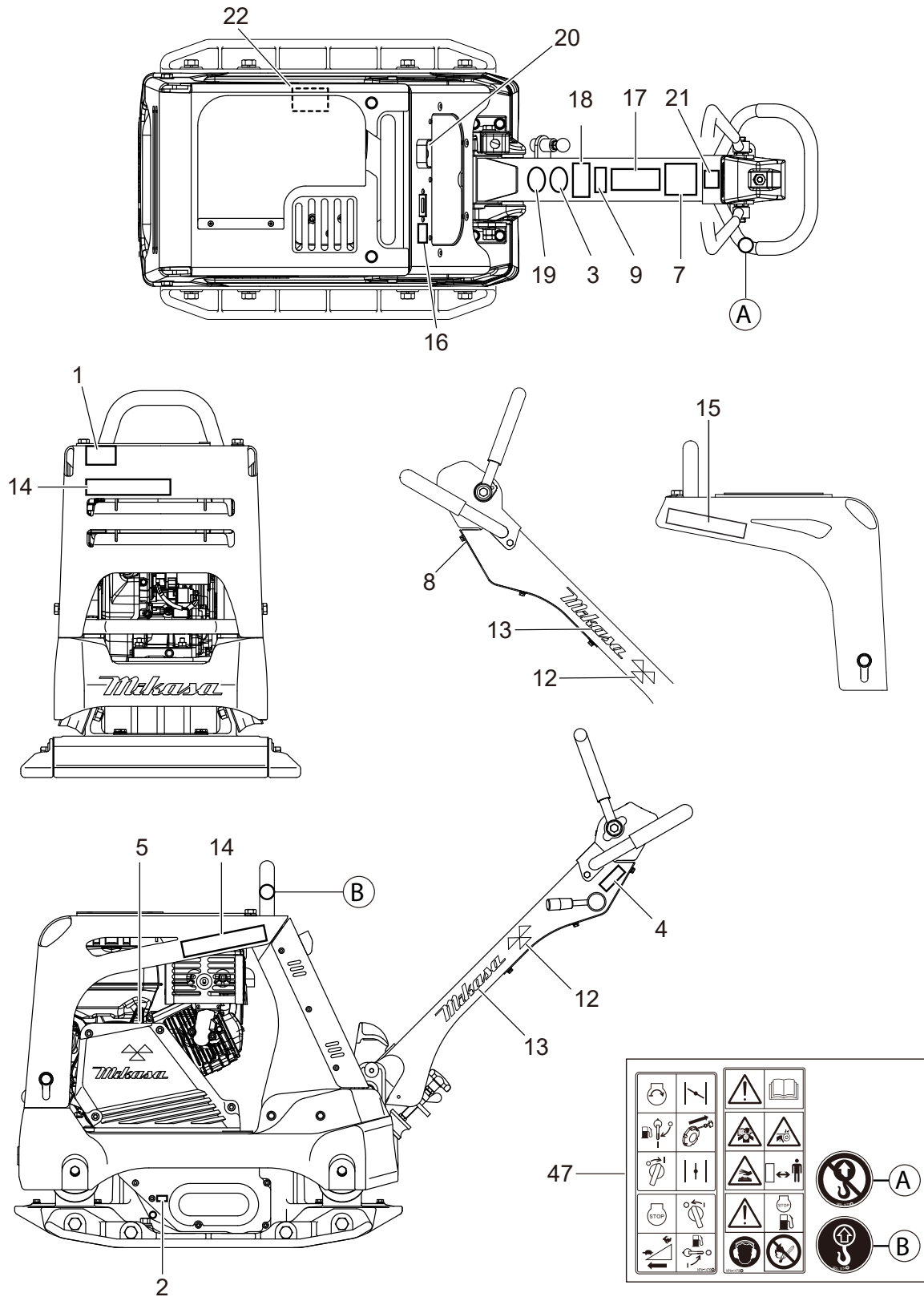
Part numbers on this Suggested Spare Parts list may supersede/replace the part numbers shown in the following parts lists.

B&S VANGUARD 400 GASOLINE ENGINE

1 to 3 units

Qty.	P/N	Description
3.....	597383.....	SPARK PLUG
1.....	8004174.....	STARTER REWIND ASSY.
3.....	84002310.....	FILTER A/C CARTRIDGE
1.....	596765.....	CAP, FUEL TANK
2.....	792917.....	FILTER, FUEL TANK

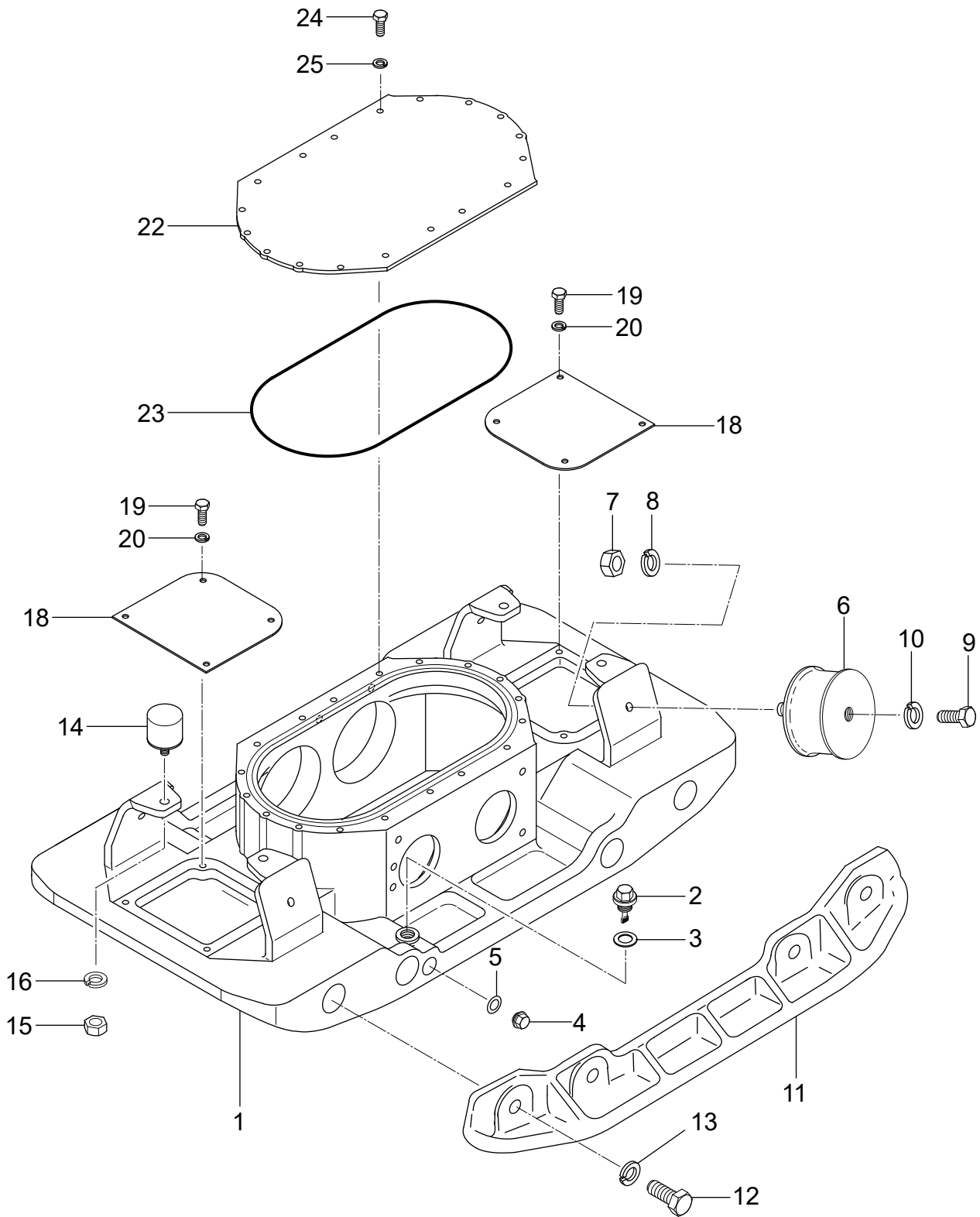
NAMEPLATE AND DECALS



NAMEPLATE AND DECALS

<u>NO.</u>	<u>PART NO.</u>	<u>PART NAME</u>	<u>QTY.</u>	<u>REMARKS</u>
1	920201580	DECAL: MQ MARK 71X55	1	
2	920201950	DECAL: OIL SAE 10W-30	1	
3	920222810	EAR PROTECTION LABEL	1	
4	920204580	DECAL: FULL THROTTLE	1	
5	920217690	DECAL: V-BELT HDPF-5460	1	
7	920211060	DECAL: CAUTION (LEVER)	1	
8	920211090	DECAL: SHELL TELLUS OIL 32	1	
9	920214100	DECAL: E/G FIRE WARNING	1	
12	920217110	DECAL: MIKASA MARK 35X70	2	
13	920217130	DECAL: MIKASA MARK (W) 200L	2	
14	920217810	DECAL: MODEL (R, OR)	2	
15	920217820	DECAL: MODEL (L)	1	
16	920218130	DECAL: E/G RPM 3600	1	
17	920218390	DECAL: CAUTION	1	
18	920222240	DECAL: PROPOSITION 65	1	
19	920224750	DECAL: MQ, 3 YEARS WARRANTY	1	
20	920225710	DECAL: RUN-START	1	
21	920210100	DECAL: EC NOISE REQ. LWA108	1	
22	920225660	PLATE: SERIAL NO. MVH508GV	1	
47	920900110	DECAL:SET/MVH-MRH/EXP, EU	1	

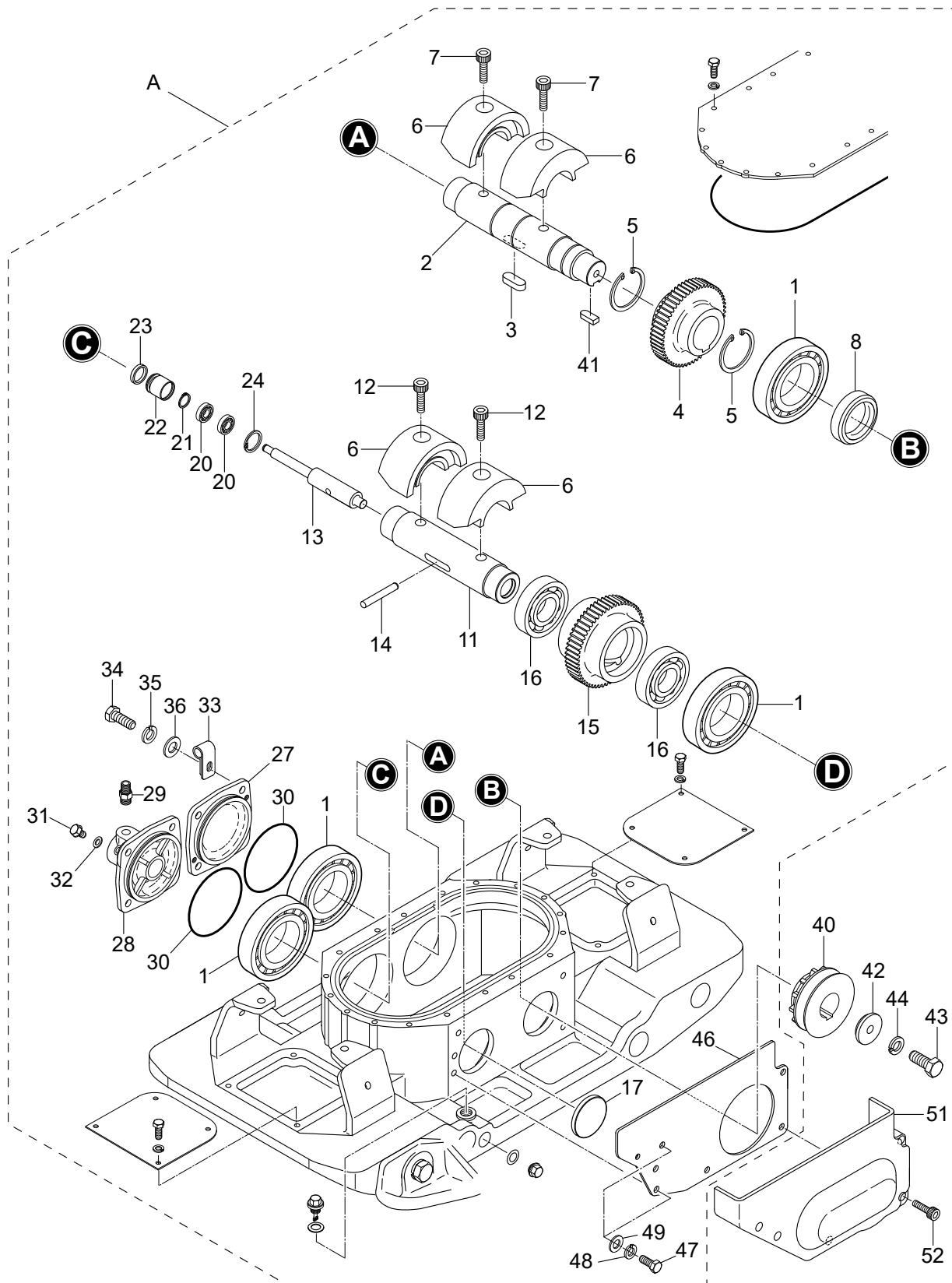
VIBRATING PLATE ASSY.



VIBRATING PLATE ASSY.

<u>NO.</u>	<u>PART NO.</u>	<u>PART NAME</u>	<u>QTY.</u>	<u>REMARKS</u>
1	468121201	VIBRATING PLATE	1	
2	465460670	OIL GAUGE	1	
3	953402930	COPPER PACKING	1	
4	953405270	PLUG 1/4X14 13L	1	
5	953405260	PACKING 1/4 (CU)	1	
6	939010380	SHOCK ABSORBER	4	
7	020316130	NUT M16	4	
8	030216400	WASHER, LOCK M16	4	
9	001221635	BOLT 16X35	4	
10	030216400	WASHER, LOCK M16	4	
11	452990	EXTENSION PLATE	2.....	REPLACES P/N 467219050
12	012218050	BOLT 18X50	8.....	REPLACES P/N 001221850
13	58407	WASHER, LOCK M18.....	8.....	REPLACES P/N 030218460
14	939010010	SHOCK ABSORBER, STOPPER 45	4	
15	020310080	NUT M10	4	
16	030210250	WASHER, LOCK M10	4	
18	468352110	COVER, VIBRATOR, PLATE	2	
19	001220820	HEX, BOLT 8X20	8	
20	030208200	WASHER, LOCK M8	8	
22	467351790	COVER, VIBRATOR	1	
23	050103250	O-RING	1	
24	001220820	HEX, BOLT 8X20	18	
25	030208200	WASHER, LOCK M8	18	

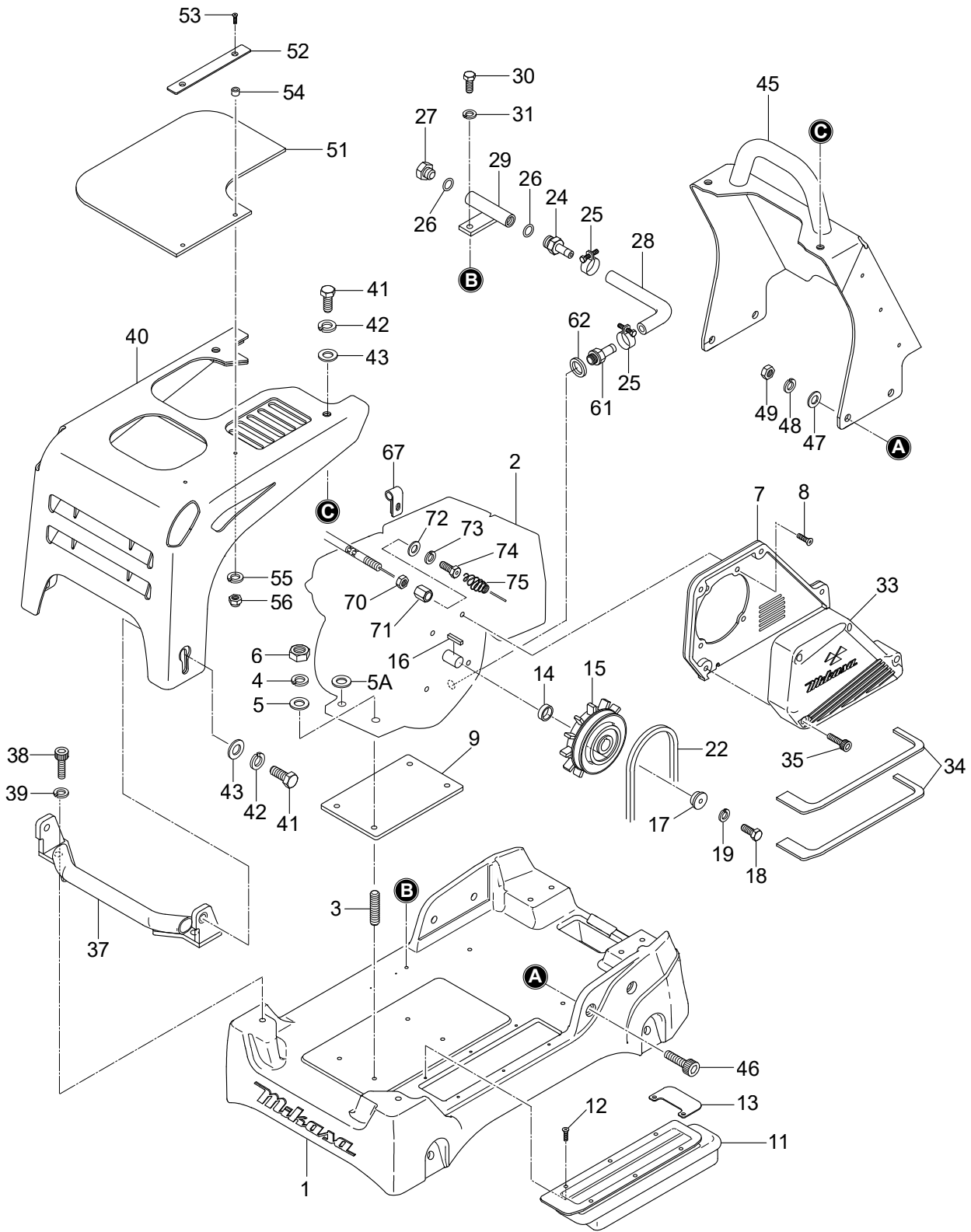
VIBRATOR ASSY.



VIBRATOR ASSY.

<u>NO.</u>	<u>PART NO.</u>	<u>PART NAME</u>	<u>QTY.</u>	<u>REMARKS</u>
A	469910033	VIBRATING PLATE ASSEMBLY	1.....	INCLUDES ITEMS W/#
1#	047920120	ROLLER BEARING	4	
2#	467910070	ROTARY SHAFT, DRIVE	1	
3#	951405370	KEY 15X10X39 RR	1	
4#	456327150	GEAR, DRIVE	1	
5#	080200550	STOP RING	2	
6#	474357530	ECCENTRIC ROTATOR	4	
7#	009120301	SOCKET HEAD BOLT 16X40	2	
8#	060405040	OIL SEAL TC-50729	1	
11#	456337670	SHAFT, ROTARY DRIVEN	1	
12#	009120302	SOCKET HEAD BOLT 16X30	2	
13#	456337380	PISTON ROD	1	
14#	456010010	KNOCK PIN 10X70	1	
15#	467351910	GEAR (DRIVEN)	1	
16#	040006911	BEARING	2	
17#	953010030	SEAL CAP	1	
20#	042006000	BEARING	2.....	REPLACES P/N 042506000
21#	0080000010	STOP RING	1.....	REPLACES P/N 080200100
22#	455435051	PISTON	1	
23#	455010070	PACKING	1	
24#	080100260	STOP RING	1	
27#	467352540	BEARING COVER	1	
28#	467219070	CYLINDER	1.....	REPLACES P/N 467220410
29#	954010020	CONNECTOR PT, PF1/4	1	
30#	050101050	O-RING	2	
31#	001720812	FLANGE BOLT 8X12	1	
32#	953404600	COPPER PACKING	1	
33#	959408880	CLIP 15 (M10)	1	
34#	0105091025	BOLT 10X25	8.....	REPLACES P/N 001221025
35#	030210250	WASHER, LOCK M10	8	
36#	031110160	WASHER, FLAT M10	8	
40	465345090	PULLEY	1	
41#	951404970	KEY 12X8X30 R	1	
42	468474700	WASHER, PULLEY	1	
43	012212035	BOLT 12X35	1.....	REPLACES P/N 001221235
44	030212300	WASHER, LOCK M12	1	
46#	467351920	GUIDE, BELT COVER	1	
47#	001220820	BOLT 8X20	2	
48#	030208200	WASHER, LOCK M8	2	
49#	0401450080	WASHER, FLAT M8	2.....	REPLACES P/N 031108160
51	468218962	BELT COVER, LOWER	1	
52	001520856	BOLT, SOCKET HEAD 8X80	5	

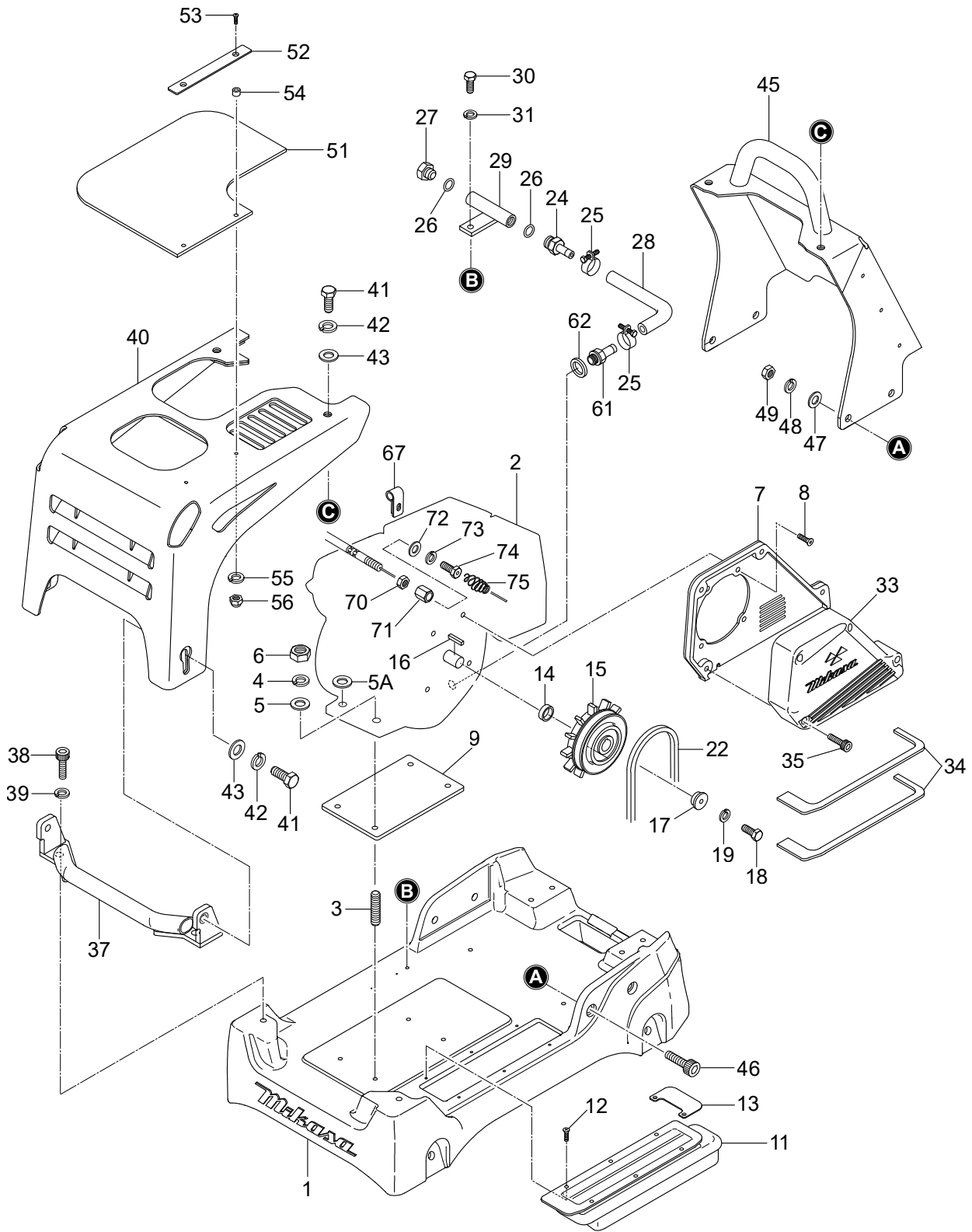
BASE AND ENGINE ASSY.



BASE AND ENGINE ASSY.

<u>NO.</u>	<u>PART NO.</u>	<u>PART NAME</u>	<u>QTY.</u>	<u>REMARKS</u>
1	474123000	BASE	1	
2	918206702	ENGINE ASSY., VANGUARD 400, 25V337	1	
3	009120207	STUD BOLT 10X55	4	
4	030210250	WASHER, LOCK M10	4	
5	952409720	WASHER 10.5X22X5	3	
5A	031110160	WASHER, FLAT M10 (GROUND)	1	
6	020310080	NUT M10	4	
7	474357500	BELT COVER, IN	1	
8	009120419	SUNK HEAD BOLT 8X25	4	
9	474357510	ENGINE SPACER	1	
11	468352120	DUST COVER	1	
12	092006010	FLAT HEAD SCREW 6X10	6	
13	468467050	PLATE, BELT COVER	1	
14	474475800	SPACER	1	
15	456343340	CLUTCH ASSEMBLY	1	
16	951411140	KEY 7X7X34	1	
17	952400690	WASHER 9X35X4.5	1	
18	011208030	BOLT 8X30	1	REPLACES P/N 001220830
19	030208200	WASHER, LOCK M8	1	
22	070200463	V-BELT, HDPF-5460	1	
24	2556390111	UNION TIP, DRAIN	1	REPLACES P/N 954407310
25	954410140	HOSE CLAMP	2	
26	953410290	GASKET	2	
27	953410280	PLUG	1	
28	465459390	DRAIN HOSE	1	
29	464457380	DRAIN JOINT	1	
30	001220820	BOLT 8X20	1	
31	030208200	WASHER, LOCK M8	1	
33	467121100	BELT COVER (OUT)	1	
34	467351800	DUST SPONGE (OUT)	2	
35	001521054	SOCKET HEAD BOLT 10X70	4	
37	468352140	FRONT BUMPER	1	
38	001521435	SOCKET HEAD BOLT 14X35	2	
39	030214350	WASHER, LOCK M14	2	
40	468121230-OR	FRONT COVER	1	
41	001221435	BOLT 14X35	4	
42	030214350	WASHER, LOCK M14	4	
43	031114260	WASHER, FLAT M14	4	
45	474123040	CENTER COVER	1	
46	001521435	SOCKET HEAD BOLT 14X35	4	
47	031114260	WASHER, FLAT M14	4	
48	030214350	WASHER, LOCK M14	4	
49	020314110	NUT M14	4	

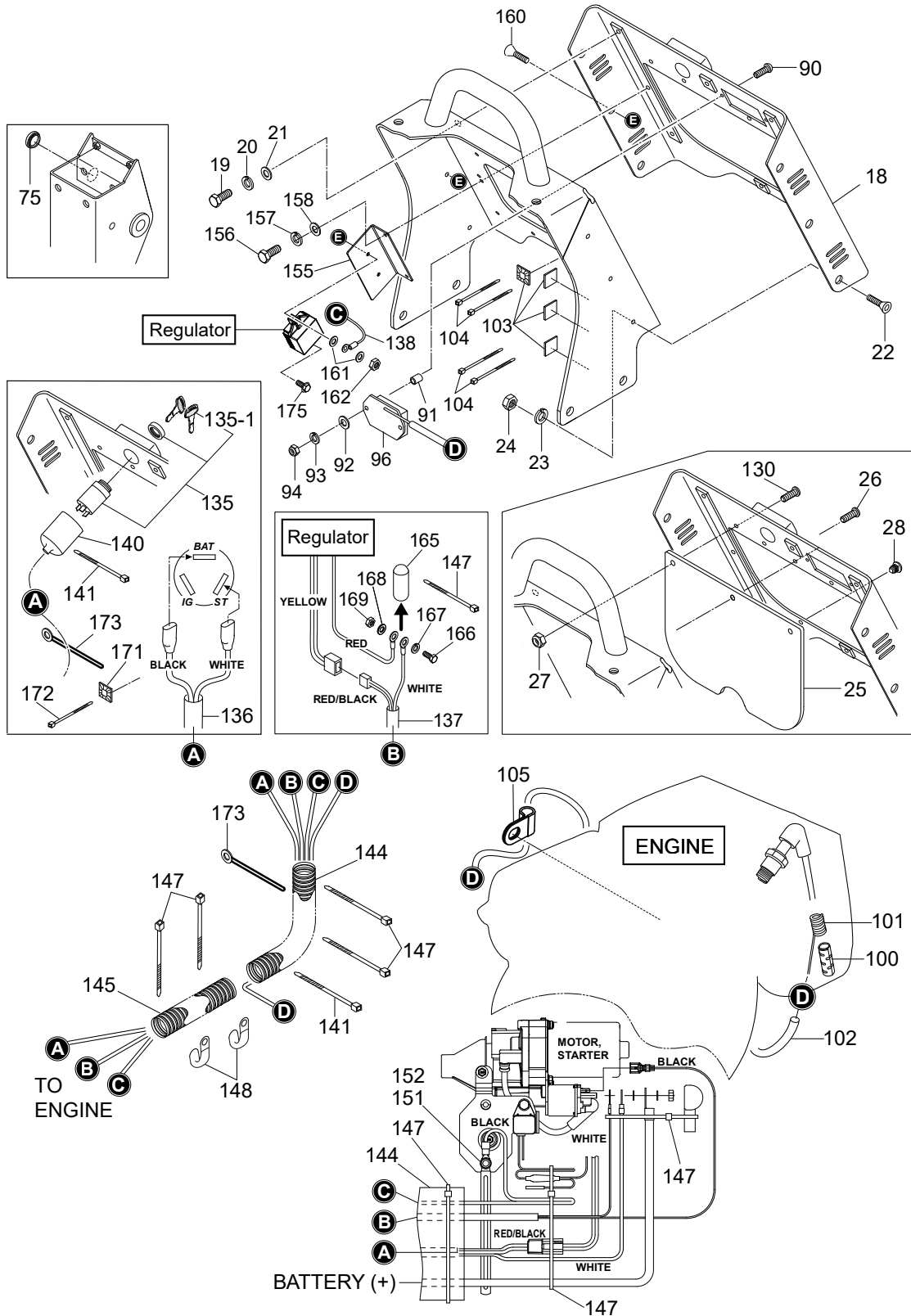
BASE AND ENGINE ASSY. (CONT'D.)



BASE AND ENGINE ASSY. (CONT'D.)

<u>NO.</u>	<u>PART NO.</u>	<u>PART NAME</u>	<u>QTY.</u>	<u>REMARKS</u>
51	467466800	RUBBER COVER, UPPER	1	
52	467466810	STOPPER, COVER	1	
53	009120424	SOCKET HEAD BOLT 6X25	2	
54	617465130	COLLAR	2	
55	030206150	WASHER, LOCK M6	2	
56	022710607	NYLON NUT M6	2	
61	953406230	DRAIN JOINT	1	
62	474475960	WASHER, DRAIN PLUG M12	1	
67	954409880	CLAMP	1	
70	020106050	NUT M6.....	1	REPLACES P/N 020306050
71	959407490	NUT M6	1	
72	030206150	WASHER, LOCK M6	1	
73	952404470	WASHER, FLAT M6.....	1	REPLACES P/N 031106100
74	474475810	THROUGH HOLE BOLT	1	
75	959409990	COIL SPRING	1	

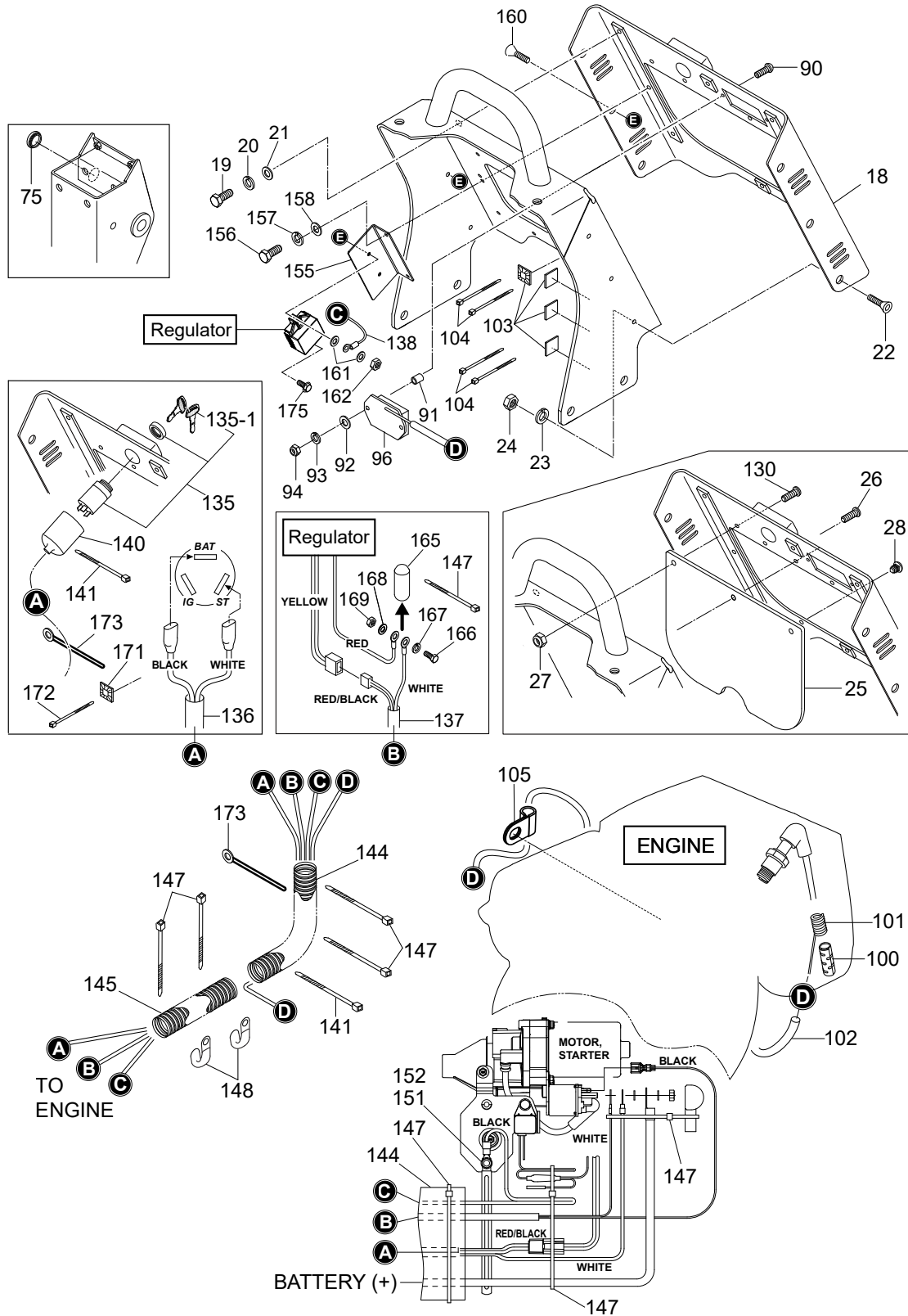
ELECTRIC DEVICE ASSY.



ELECTRIC DEVICE ASSY.

<u>NO.</u>	<u>PART NO.</u>	<u>PART NAME</u>	<u>QTY.</u>	<u>REMARKS</u>
18	474220790	REAR COVER	1	
19	001220612	BOLT 6X12	6	
20	030206150	WASHER, LOCK M6	6	
21	952404470	WASHER, FLAT M6.....	6.....	REPLACES P/N 031106100
22	009120413	SUNK HEAD BOLT 6X15	5	
23	030206150	WASHER, LOCK M6	5	
24	020106050	NUT M6.....	5.....	REPLACES P/N 020306050
25	474473910	RUBBER COVER, REAR	1	
26	009110062	SOCKET HEAD SCREW 6X20	2	
27	022710607	NYLON NUT M6	3	
28	953410840	BRUSH CLIP 5	4	
75	953406090	GROMMET 26D	1	
90	009110072	PAN HEAD SCREW 5X35	2	
91	952407930	COLLAR 6X10X13.5	2	
92	58151	WASHER, FLAT M5.....	2.....	REPLACES P/N 031105080
93	030205130	WASHER, LOCK M5	2	
94	022710506	NYLON NUT M5	2	
96	955010311	TACHOMETER/HOUR METER.....	1.....	REPLACES P/N 955010319
100	955010307	CLIP BELT	1	
101	955010320	CURL CORD, 1200L	1	
102	959026829	RUBBER TUBE	1	
103	955407970	WIRING FIXED BASE	4	
104	506010070	CLAMP	5	
105	954409880	CLAMP	1	
130	009110091	SOCKET HEAD SCREW 6X25	1	
135	955300680	STARTER SWITCH ASSEMBLY	1.....	INCLUDES ITEMS W/#
135-1#	955000010	KEY, STARTER SWITCH	1	
136	474359120	WIRE HARNESS ASSEMBLY, SWITCH	1	
137	474359130	WIRE HARNESS ASSEMBLY, REGULATOR	1	
138	474475820	EARTH WIRE	1	
140	470468770	PROTECTIVE COVER, IGNITION SWITCH	1	
141	507010110	CLAMP	2	
144	959026027	CORRUGATE TUBE, 500MM (1.64 FT)	1	
145	959026027	CORRUGATE TUBE, 500MM (1.64 FT)	1	
147	506010070	CLAMP	9	
148	954410020	CLAMP	3	
151	011006010	BOLT 6X10	1.....	REPLACES P/N 001220610
152	030206150	WASHER, LOCK M6	1	
155	474475830	PANEL, REGULATOR	1	
156	0105050616	BOLT 6X15	2.....	REPLACES P/N 001220615
157	030206150	WASHER, LOCK M6	2	
158	952404470	WASHER, FLAT M6.....	2.....	REPLACES P/N 031106100

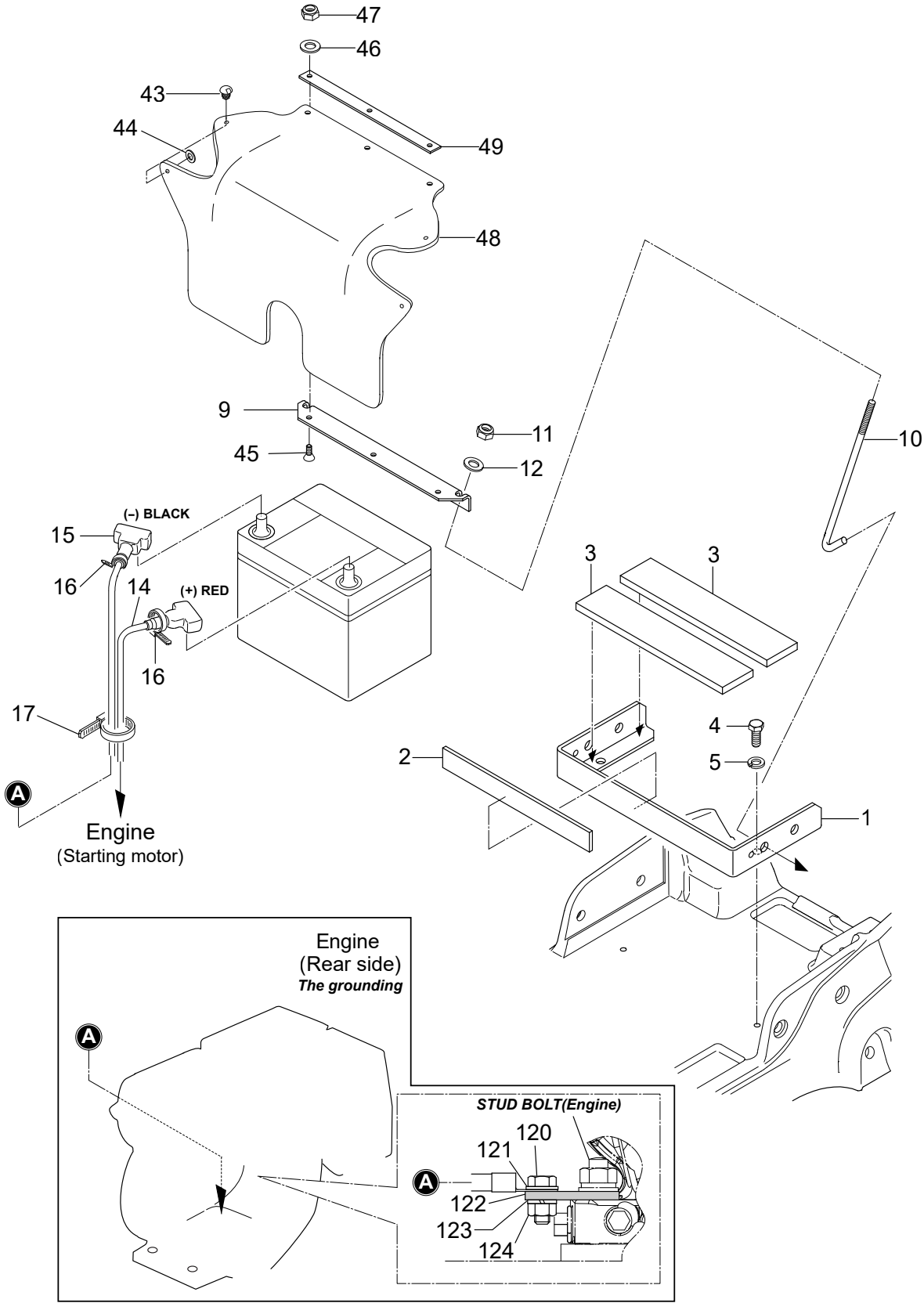
ELECTRIC DEVICE ASSY. (CONT'D.)



ELECTRIC DEVICE ASSY. (CONT'D.)

<u>NO.</u>	<u>PART NO.</u>	<u>PART NAME</u>	<u>QTY.</u>	<u>REMARKS</u>
160	009120431	SUNK HEAD BOLT 6X50	1	
161	952404470	WASHER, FLAT M6.....	2.....	REPLACES P/N 031106100
162	020306050	NUT M6	1	
165	467475260	TERMINAL CAP 16	1	
166	011006010	BOLT 6X10	1.....	REPLACES P/N 001220610
167	030206150	WASHER, LOCK M6	1	
168	952404470	WASHER, FLAT M6.....	1.....	REPLACES P/N 031106100
169	020106050	NUT, M6	1.....	REPLACES P/N 020306050
171	955407970	WIRING FIXED BASE	1	
172	506010070	CLAMP	3	
173	954410020	CLAMP	2	
175	009110146	FLANGE BOLT 6X30	1	

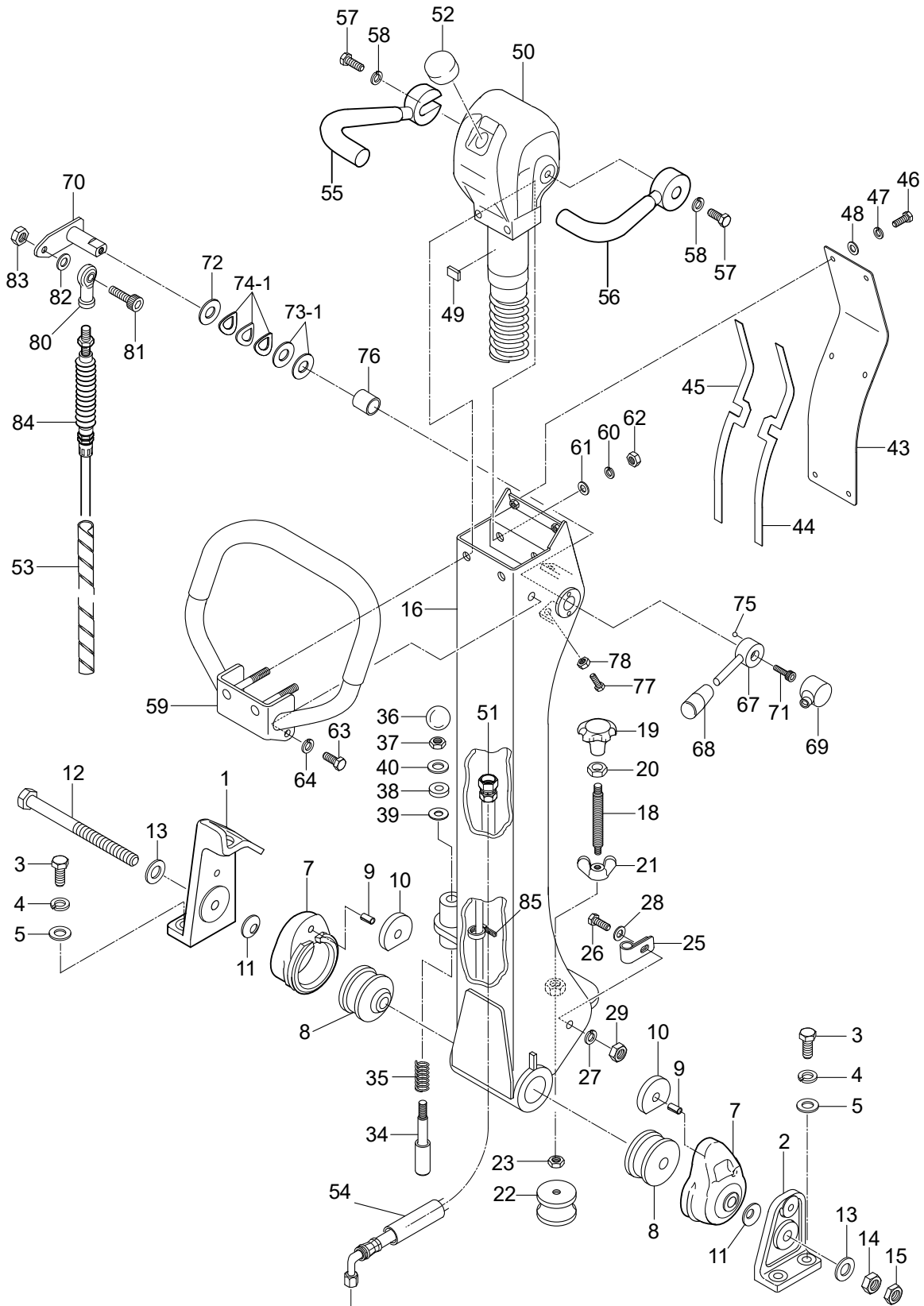
BATTERY ASSY.



BATTERY ASSY.

<u>NO.</u>	<u>PART NO.</u>	<u>PART NAME</u>	<u>QTY.</u>	<u>REMARKS</u>
1	467218920	BATTERY HOLDER	1	
2	456447590	RUBBER PLATE (E) 28X240X5	1	
3	456447600	RUBBER PLATE 50X240X10	2	
4	012210020	BOLT 10X20	2.....	REPLACES P/N 001221020
5	030210250	WASHER, LOCK M10	2	
9	474357550	HOLDER, BATTERY	1	
10	469467170	BOLT, BATTERY	2	
11	022710809	NYLON NUT M8	2	
12	0401450080	WASHER, FLAT M8.....	2.....	REPLACES P/N 031108160
14	955301030	BATTERY CABLE, POS., 1050MM (3.44 FT)	1	
15	955301040	BATTERY CABLE, NEG., 450MM (1.48 FT)	1	
16	506010070	CLAMP	2	
17	507010110A	CLAMP.....	1.....	REPLACES P/N 507010110
43	953409110	BRUSH CLIP	2	
44	952404470	WASHER, FLAT M6.....	2.....	REPLACES P/N 031106100
45	009120422	SOCKET HEAD BOLT 5X20	3	
46	030205130	WASHER, LOCK M5	3	
47	022710506	NYLON NUT M5	3	
48	474357540	RUBBER PLATE, BATTERY	1	
49	474473890	STOPPER, RUB-PLATE	1	
120	001220820	BOLT 8X20	1	
121	0401450080	WASHER, FLAT M8.....	1.....	REPLACES P/N 031108160
122	474474330	EARTH STAY	1	
123	030208200	WASHER, LOCK M8	1	
124	020108060	NUT M8.....	1.....	REPLACES P/N 020308060

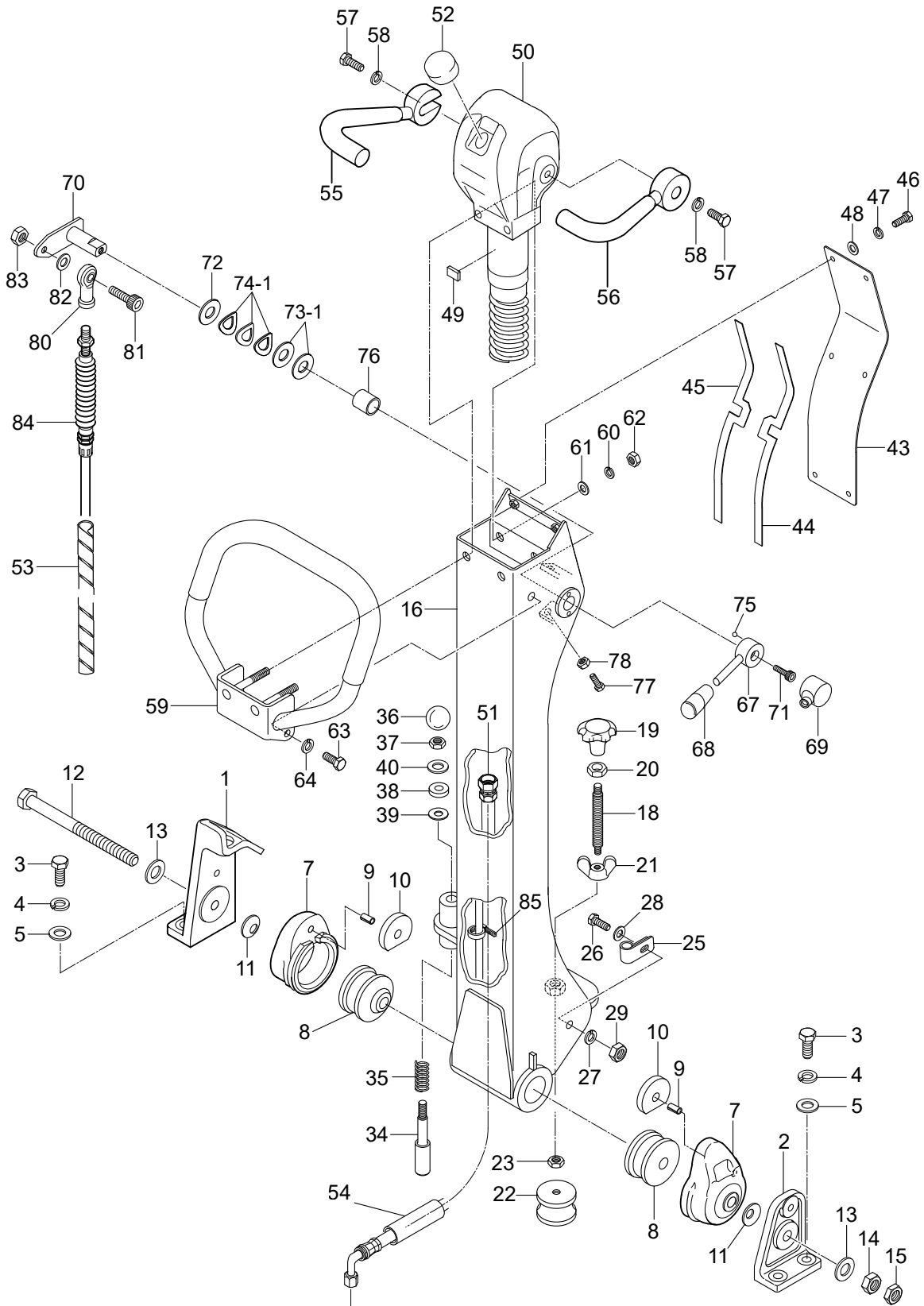
CONTROL ASSY.



CONTROL ASSY.

<u>NO.</u>	<u>PART NO.</u>	<u>PART NAME</u>	<u>QTY.</u>	<u>REMARKS</u>
1	467351951	HANDLE BRACKET (R)	1	
2	467351960	HANDLE BRACKET (L)	1	
3	012212035	BOLT 12X35	4	REPLACES P/N 001221235
4	030212300	WASHER, LOCK M12	4	
5	031112230	WASHER, FLAT M12	4	
7	456336400	RUBBER COUPLING	2	
8	456449940	SHOCK ABSORBER	2	
9	025306016	PIN SPRING 6X16.....	2	REPLACES P/N 025406016
10	456449930	RUBBER PLATE	2	
11	032124400	CONICAL SPRING WASHER M24	2	
12	001221681	BOLT 16X250	1	
13	0401450160	WASHER, FLAT M16.....	2	REPLACES P/N 031116260
14	020316130	NUT M16	1	
15	020416100	NUT M16	1	
16	467121180	COLUMN, HANDLE BAR	1	
18	455434950	SPINDLE	1	
19	455010030	KNOB	1	
20	020412070	NUT M12	1	
21	022411635	WING NUT M16	1	
22	939010060	SHOCK ABSORBER	1	
23	020310080	NUT M10.....	1	REPLACES P/N 020410060
25	959408930	CLIP 15 (M6)	1	
26	011206020	BOLT 6X20	1	REPLACES P/N 001220620
27	030206150	WASHER, LOCK M6	1	
28	952404470	WASHER, FLAT M6	1	
29	020106050	NUT M6.....	1	REPLACES P/N 020306050
34	501402870	HANDLE STOPPER	1	
35	501402880	SPRING HANDLE	1	
36	959403460	BALL GRIP	1	
37	020310080	NUT M10.....	1	REPLACES P/N 020410060
38	456449980	RUBBER PACKING	1	
39	953405260	PACKING 1/4 (CU)	1	
40	031110160	WASHER, FLAT M10	1	
43	467351980	HANDLE COVER	1	
44	467467340	PACKING (L), HANDLE	1	
45	467467350	PACKING (R), HANDLE	1	
46	0105050616	BOLT 6X15	6	REPLACES P/N 001220615
47	030206150	WASHER, LOCK M6	6	
48	952404470	WASHER, FLAT M6.....	6	REPLACES P/N 031106100
49	464457930	RUBBER PIECE	1	

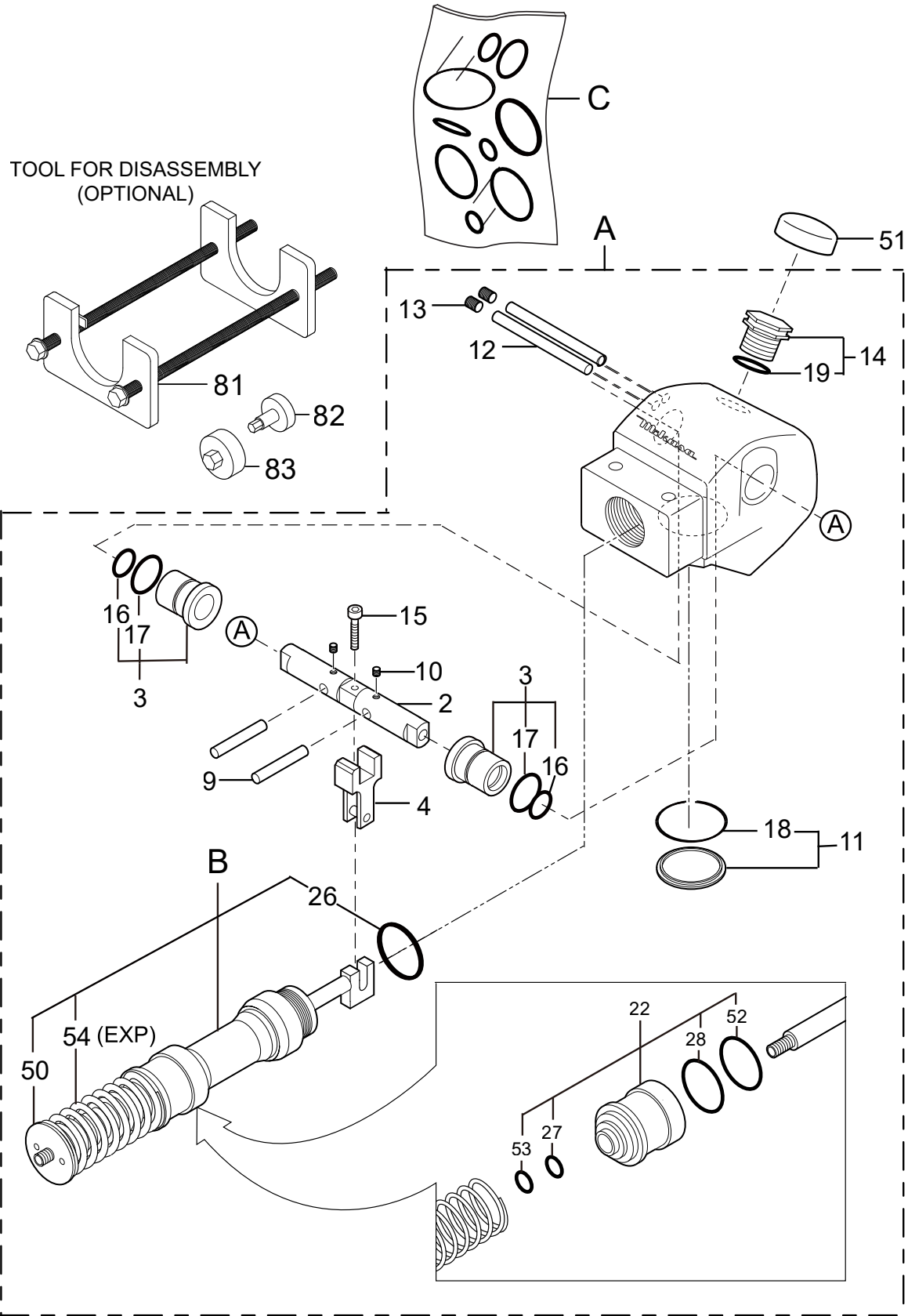
CONTROL ASSY. (CONT'D.)



CONTROL ASSY. (CONT'D.)

<u>NO.</u>	<u>PART NO.</u>	<u>PART NAME</u>	<u>QTY.</u>	<u>REMARKS</u>
50	469219180	HAND PUMP (EXP.)	1	
51	954003110	OIL HOSE, 1100MM (3.60 FT)	1	
52	458451630	BREATHER CAP	1	
53	959021829	SPIRAL TUBE	1	
54	959409120	PROTECT TUBE	1	
55	464216820	TRAVEL LEVER (R)	1	
56	464216830	TRAVEL LEVER (L)	1	
57	012010030	BOLT 10X30	2	REPLACES P/N 001221030
58	030210250	WASHER, LOCK M10	2	
59	467218909-OR	GRIP-OR	1	
60	030210250	WASHER, LOCK M10	2	
61	031110160	WASHER, FLAT M10	2	
62	020310080	NUT M10	2	
63	0105091025	BOLT 10X25	2	REPLACES P/N 001221025
64	030210250	WASHER, LOCK M10	2	
67	467467380	THROTTLE LEVER	1	
68	959403840	BAR GRIP, I.D. 12MM	1	
69	464457420	COVER, THROTTLE LEVER	1	
70	464457350	ARM, THROTTLE	1	
71	014208020	SOCKET HEAD BOLT 8X20.....	1	REPLACES P/N 001520820
72	0401450160	WASHER, FLAT M16.....	1	REPLACES P/N 031116260
73	458450660	WASHER	2	
74	033910080	CONICAL WASHER, LOCK	3	
75	464457440	STEEL BALL	1	
76	464010010	DRY BUSHING	1	
77	011606025	BOLT 6X25	2	REPLACES P/N 001220625
78	020106050	NUT M6.....	2	REPLACES P/N 020306050
80	464010020	ROD END M5	1	
81	001520520	SOCKET HEAD BOLT 5X20	1	
82	58151	WASHER, FLAT M5.....	1	REPLACES P/N 031105080
83	020305040	NUT, NYLON M5	1	
84	956100069	THROTTLE WIRE	1	
85	506010070	CLAMP	2	

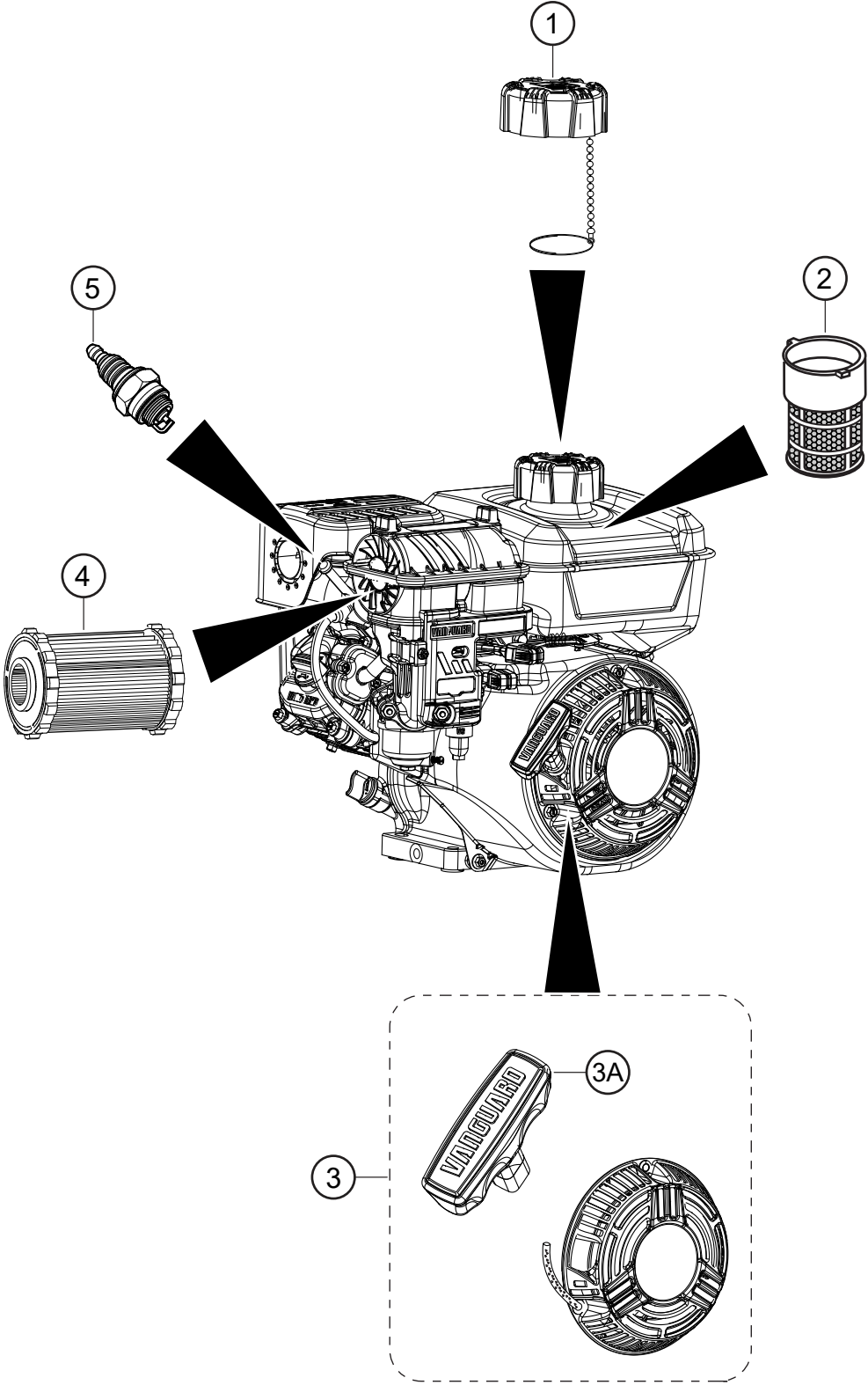
HAND PUMP (EXP.) ASSY.



HAND PUMP (EXP.) ASSY.

<u>NO.</u>	<u>PART NO.</u>	<u>PART NAME</u>	<u>QTY.</u>	<u>REMARKS</u>
A	469219180	HAND PUMP (EXP.)	1.....	INCLUDES ITEMS W/&
B	464910040	ACCUMULATOR.....	1.....	INCLUDES ITEMS W/=
C	464910080	SEAL KIT	1.....	INCLUDES ITEMS W/%
2&	464010040	CONTROL SHAFT (PUMP)	1	
3&	467010020	BUSH.....	2.....	INCLUDES ITEMS W/\$
4&	464010060	CAM (PUMP)	1	
9&	464010070	STOPPER (PUMP)	2	
10&	099205005	SOCKET HEAD SCREW 5X5	2	
11&	464010080	PLUG	1.....	INCLUDES ITEM W/@
12&	464022050	PIN, STOPPER (PUMP)	2	
13&	506010160	PLUG, SOCKET HEAD	2	
14&	458010080	BREATHER (PUMP).....	1.....	INCLUDES ITEM W/#
15&	014206020	SOCKET HEAD BOLT 6X20.....	1.....	REPLACES P/N 001520620
16&=%\$	050200200	O-RING, P-20	2	
17&=%\$	050210220	O-RING, P-22	2.....	REPLACES P/N 050200220
18&=%@	050300380	O-RING, S-38	1	
19&=%#	050200180	O-RING, P-18	1	
22&	464010111	ACCUMULATOR CASE.....	1.....	INCLUDES ITEMS W/+
26&=%	050300400	O-RING, S-40	1	
27&=%+	050200150	O-RING, P-15	1	
28&=%+	050100400	O-RING, G-40	1	
50&=	464010120	SPRING PLUG	1	
51	458451630	BREATHER CAP	1	
52&=%+	069904010	DUST SEAL SER-40	1	
53&=%+	069901010	DUST SEAL SER-15	1	
54&=	468910030	ACCUMULATOR SPRING SET	1	
81	984010060	SPRING COMPRESSION TOOL/EXP	1.....	OPTIONAL
82	984010040	DISASSEMBLING TOOL A.....	1.....	OPTIONAL
83	984010050	DISASSEMBLING TOOL B.....	1.....	OPTIONAL

ENGINE SERVICE PARTS



ENGINE SERVICE PARTS

<u>NO.</u>	<u>PART NO.</u>	<u>PART NAME</u>	<u>QTY.</u>	<u>REMARKS</u>
1	596765	CAP, FUEL TANK	1	
2	792917	FILTER, FUEL TANK	1	
3	8004174	STARTER REWIND ASSEMBLY	1.....	INCLUDES ITEM W/#
3A#	597080	GRIP, STARTER ROPE	1	
4	84002310	FILTER, A/C CARTRIDGE	1	
5	597383	SPARK PLUG	1	

PARTS MANUAL

HERE'S HOW TO GET HELP

PLEASE HAVE THE MODEL AND SERIAL
NUMBER ON-HAND WHEN CALLING

UNITED STATES

Multiquip Inc.

(310) 537- 3700
6141 Katella Avenue Suite 200
Cypress, CA 90630
E-MAIL: mq@multiquip.com
WEBSITE: www.multiquip.com

CANADA

Multiquip

(450) 625-2244
4110 Industriel Boul.
Laval, Quebec, Canada H7L 6V3
E-MAIL: infocanada@multiquip.com

UNITED KINGDOM

Multiquip (UK) Limited Head Office

0161 339 2223
Unit 2, Northpoint Industrial Estate, Globe Lane,
Dukinfield, Cheshire SK16 4UJ
E-MAIL: sales@multiquip.co.uk

© COPYRIGHT 2023, MULTIQUIP INC.

Multiquip Inc, the MQ logo are registered trademarks of Multiquip Inc. and may not be used, reproduced, or altered without written permission. All other trademarks are the property of their respective owners and used with permission.

This manual MUST accompany the equipment at all times. This manual is considered a permanent part of the equipment and should remain with the unit if resold.

The information and specifications included in this publication were in effect at the time of approval for printing. Illustrations, descriptions, references and technical data contained in this manual are for guidance only and may not be considered as binding. Multiquip Inc. reserves the right to discontinue or change specifications, design or the information published in this publication at any time without notice and without incurring any obligations.

