

PARTS MANUAL



Mikasa **SERIES**
MODEL MVH-R60H/W
REVERSIBLE PLATE COMPACTOR
(HONDA GX120K1SM12 GASOLINE ENGINE)

Revision #2 (06/11/20)

To find the latest revision of this publication or associated operation manual, visit our website at: www.multiquip.com



THIS MANUAL MUST ACCOMPANY THE EQUIPMENT AT ALL TIMES.

MULTIQUIP MVH-R60H PLATE COMPACTOR

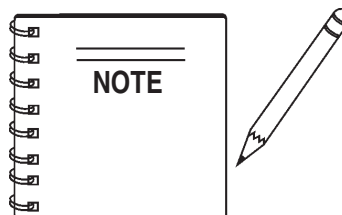
Table Of Contents	2
Explanation Of Codes In Remarks Column	4
Suggested Spare Parts	5

COMPONENT DRAWINGS

Decal Placement	6-7
Control Handle Assembly	8-11
Vibrator Assembly	12-13
Body Assembly	14-17
Vibrating Plate Assembly	18-19
Water Tank/Sprinkler Assembly	20-21

HONDA GX120K1SM12 GASOLINE ENGINE

Cylinder Head Assembly	22-23
Cylinder Barrel Assembly	24-25
Crankcase Cover Assembly	26-27
Crankshaft Assembly	28-29
Piston/Connecting Rod Assembly	30-31
Camshaft Assembly	32-33
Recoil Starter Assembly	34-35
Fan Cover Assembly	36-37
Carburetor Assembly	38-39
Air Cleaner Assembly	40-41
Muffler Assembly	42-43
Fuel Tank Assembly	44-45
Flywheel Assembly	46-47
Ignition Coil Assembly	48-49
Control Assembly	50-51
Label Assembly	52-53



Specification and part number are subject to change without notice.

MVH-R60H — EXPLANATION OF CODE IN REMARKS COLUMN

How to read the marks and remarks used in this parts book.

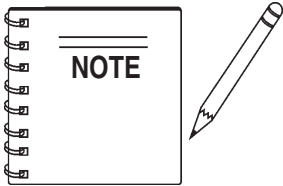
Items Found In the “Remarks” Column

Serial Numbers-Where indicated, this indicates a serial number range (inclusive) where a particular part is used.

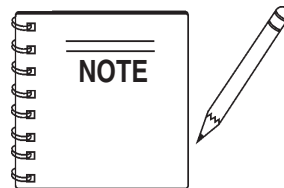
Model Number-Where indicated, this shows that the corresponding part is utilized only with this specific model number or model number variant.

Items Found In the “Items Number” Column

All parts with same symbol in the number column, *, #, +, %, or >, belong to the same assembly or kit.



If more than one of the same reference number is listed, the last one listed indicates newest (or latest) part available.



The contents of this catalog are subject to change without notice.

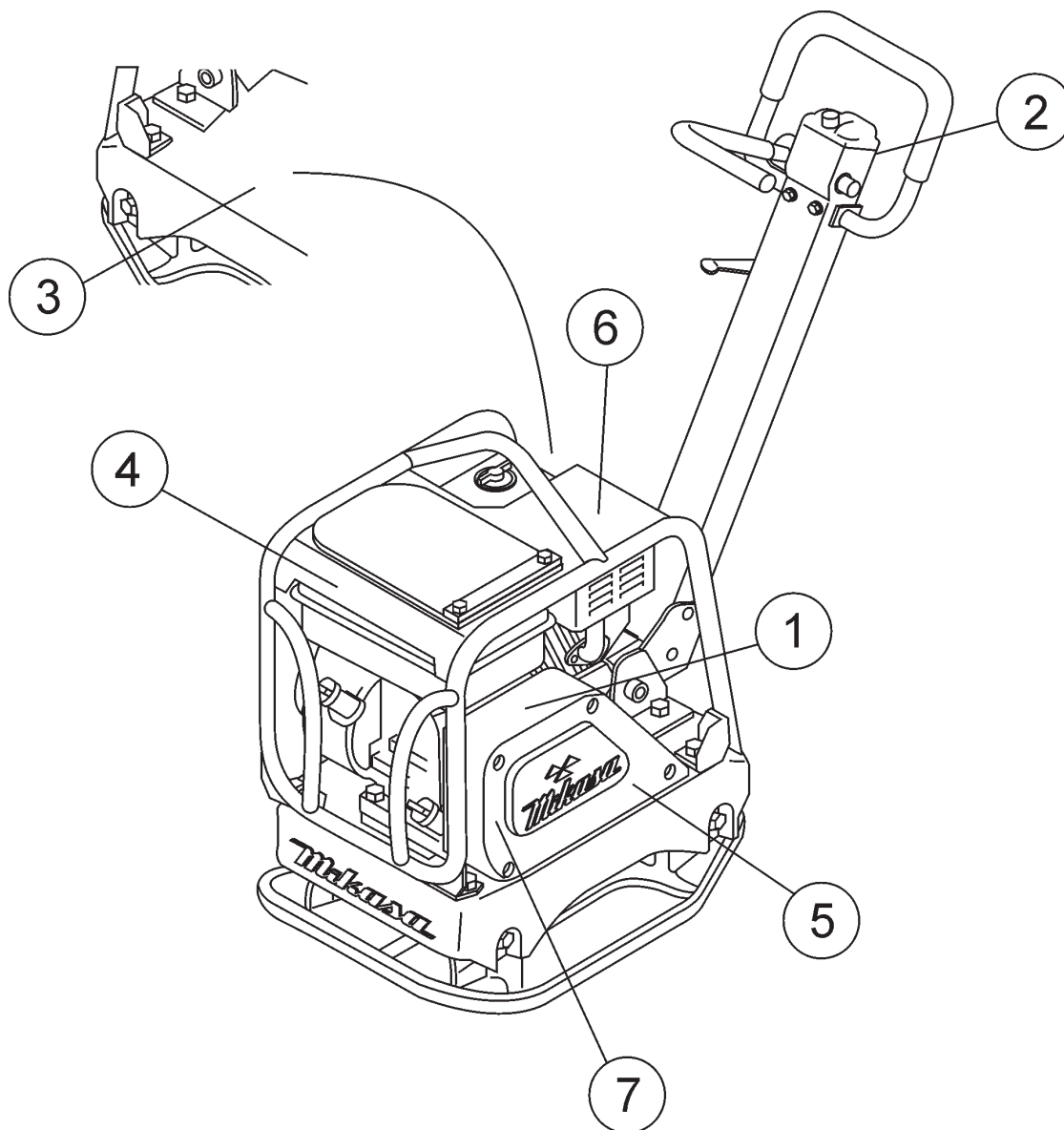
MVH-R60H with HONDA GX120K1SM12 ENGINE

1 to 5 Units

<u>Qty.</u>	<u>P/N</u>	<u>Description</u>
3	070100312	V-BELT
4	939010250	SHOCK ABSORBER
3	9807956846	SPARK PLUG
1	28462ZH8003...	ROPE, RECOIL STARTER
3	17210ZE0822 ...	ELEMENT, AIR CLEANER
1	17620ZH7023...	FUEL CAP
1	17672ZE2W01 .	FUEL FILTER, FUEL TANK

MVH-R60H — NAME PLATES AND DECALS

NAME PLATES ASSY.



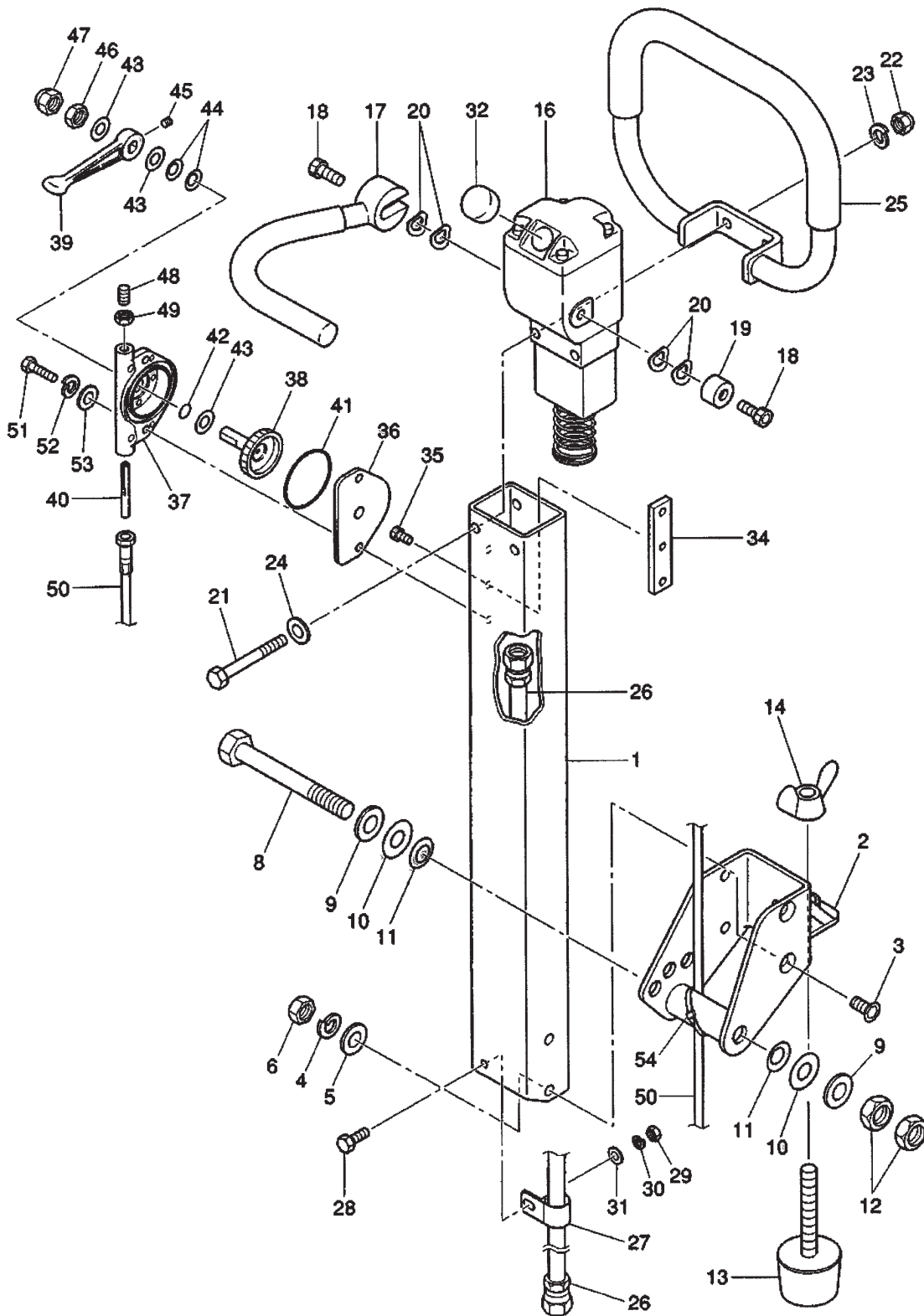
MVH-R60H — NAME PLATES AND DECALS

NAMEPLATE AND DECALS

<u>NO</u>	<u>PART NO</u>	<u>PART NAME</u>	<u>QTY.</u>	<u>REMARKS</u>
1	920201580	DECAL, MQ MARK 71X55	1	
2	920207480	DECAL, SHELL TELLUS OIL 46	1	
3		DECAL, SERIAL NO.	1 CONTACT PARTS DEPT.
4	920110000	DECAL, MVH-R60	1	
5	920207420	DECAL, V-BELT RPF-3320	1	
6	920209520	DECAL, OPERATIONAL CAUTION	1	
7	920201650	DECAL, OIL SAE 10W30	1	

MVH-R60H — CONTROL HANDLE ASSY.

CONTROL HANDLE ASSY.



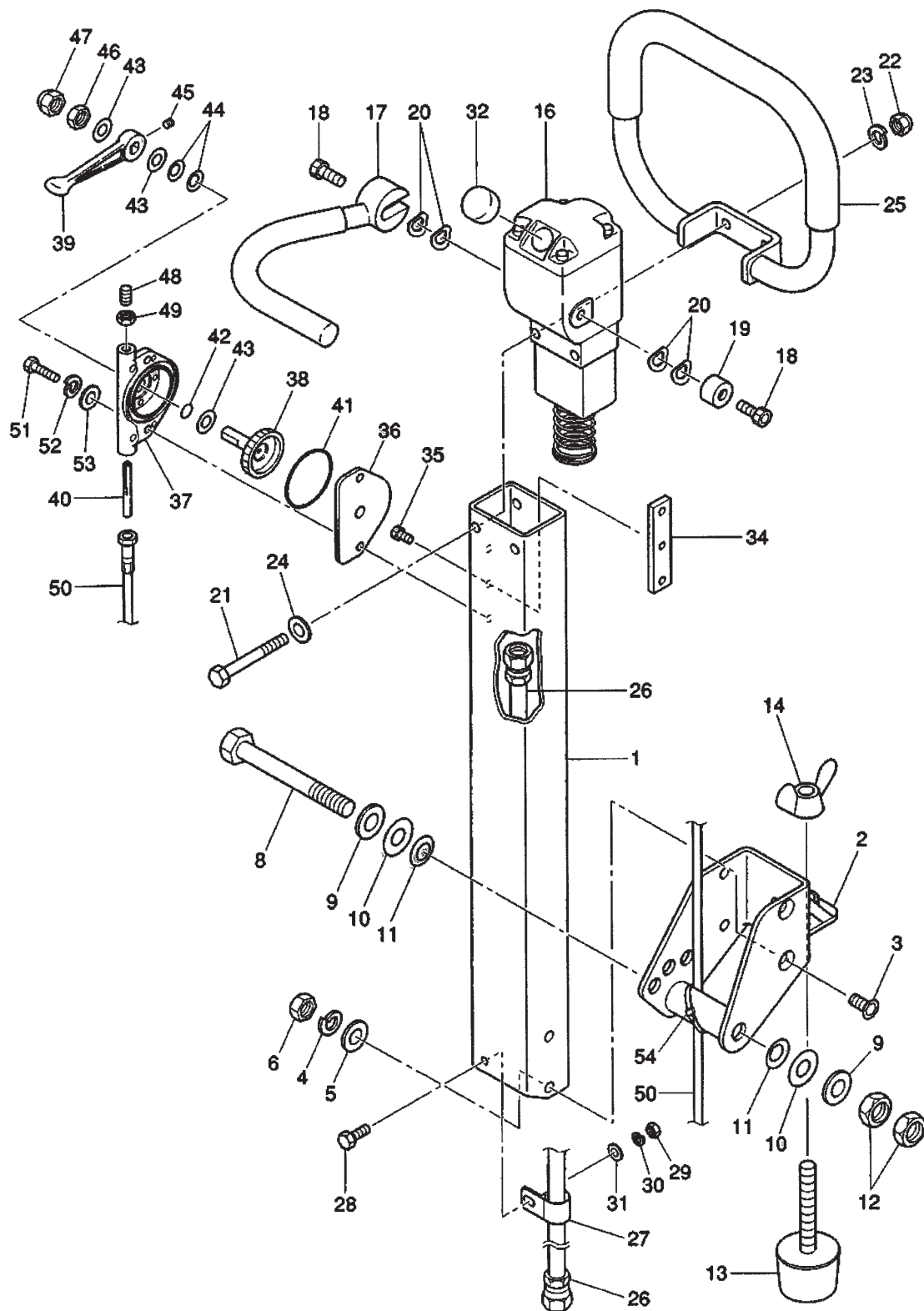
MVH-R60H — CONTROL HANDLE ASSY.

CONTROL HANDLE ASSY.

<u>NO</u>	<u>PART NO</u>	<u>PART NAME</u>	<u>QTY.</u>	<u>REMARKS</u>
1	463342840	HANDLE	1	
2	463342860	BRACKET, HANDLE	1	
3	009120408	SUNK HEAD BOLT 8X20 T	5	
4	030208200	WASHER, LOCK M8	5	
5	031108160	WASHER, FLAT M8	5	
6	020308060	NUT M8	5	
6	022610808	FLANGE NUT M8 H	5	
8	001221464	BOLT 14X120 T	1	
9	031114260	WASHER, FLAT M14	2	
10	463456190	WASHER 14.4X32X0.6	2	
11	032114250	CONICAL SPRING WASHER M14	2	
12	020314110	NUT M14	2	
13	939010220	SHOCK ABSORBER, STOPPER	1	
14	022910220	WING NUT M12	1	
16	463342190	HAND PUMP ASSY.	1	
17	463342130	TRAVEL LEVER	1	
18	001520820	SOCKET HEAD BOLT 8X20 T	2	
19	458451420	COLLAR/MVH-120	1	
20	033910030	WAVE WASHER 15.5X20X0.3	4	
21	001220854	BOLT 8X70 T	2	
22	022130806	CAP NUT M8	2	
23	030208200	WASHER, LOCK M8	2	
24	031108160	WASHER, FLAT M8	2	
25	463342150	HANDLE GRIP	1	
26	954002620	OIL HOSE 730L	1	
26	954002621	OIL HOSE 780L	1	
27	954404230	CLAMP SA120-18	1	
28	001220620	BOLT 6X20 T	1	
29	020306050	NUT M6	1	
30	030206150	WASHER, LOCK M6	1	
31	031106100	WASHER, FLAT M6	1	
32	463455940	BREATHER CAP	1	
34	463455960	THROTTLE NUT	1	
35	001520510	SOCKET HEAD BOLT 5X10 T	1	

MVH-R60H — CONTROL HANDLE ASSY. (CONTINUED)

CONTROL HANDLE ASSY. (CONTINUED)



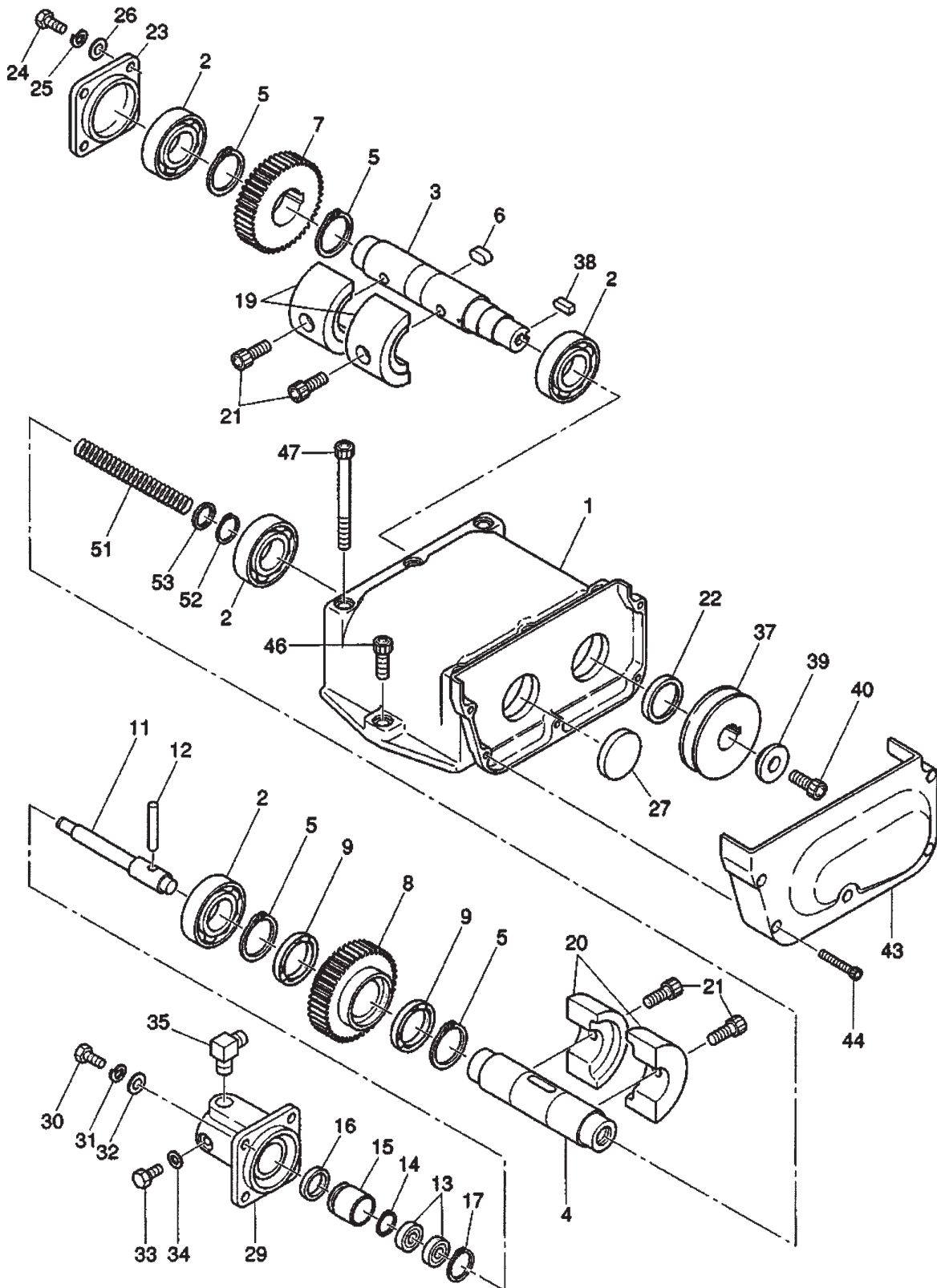
MVH-R60H — CONTROL HANDLE ASSY. (CONTINUED)

CONTROL HANDLE ASSY. (CONTINUED)

<u>NO</u>	<u>PART NO</u>	<u>PART NAME</u>	<u>QTY.</u>	<u>REMARKS</u>
36	463455950	SPACER, THROTTLE	1	
37	362341550	THROTTLE BODY	1	
38	362455610	THROTTLE GEAR	1	
39	362455630	THROTTLE LEVER	1	
40	362455620	SLIDER	1	
41	050100450	O-RING G-45	1	
42	050200100	O-RING P-10	1	
43	031110160	WASHER, FLAT M10	3	
44	033910070	CONICAL SPRING WASHER	2	
44	032110180	CONICAL SPRING WASHER M10	2	
45	096206006	SOCKET HEAD SCREW 6X6	1	
46	020410060	NUT M10, H+6	1	
47	022131008	CAP NUT M10	1	
48	096208020	SOCKET HEAD SCREW 8X20	1	
49	020408050	NUT M8, H+5	1	
50	956100047	THROTTLE WIRE 845-925	1	
51	001220625	BOLT 6X25 T	2	
52	030206150	WASHER, LOCK M6	2	
53	031106100	WASHER, FLAT M6	2	
54	511010040	CLAMP TC-300	1	

MVH-R60H — VIBRATOR ASSY.

VIBRATOR ASSY.

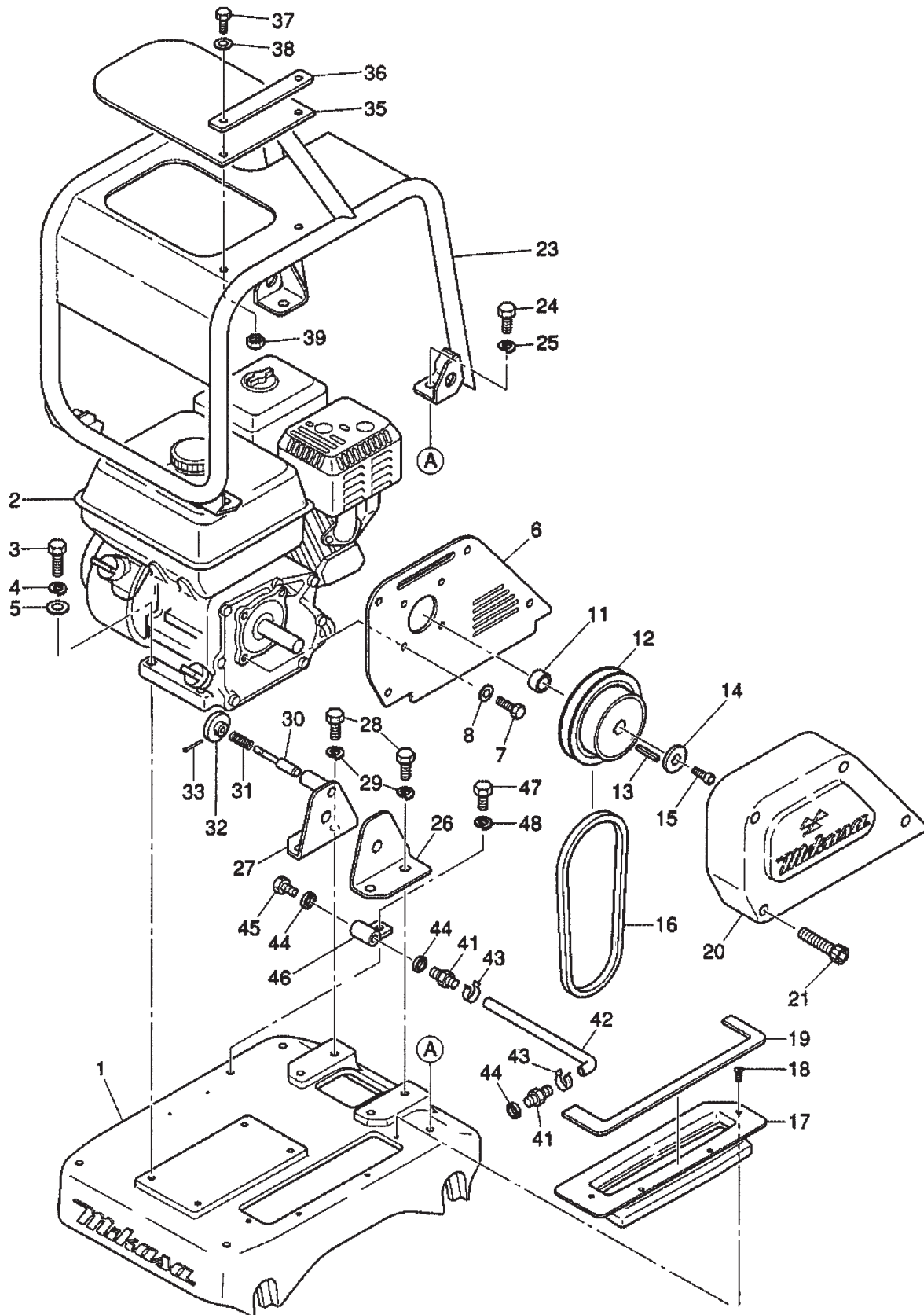


MVH-R60H — VIBRATOR ASSY.

VIBRATOR ASSY.

<u>NO</u>	<u>PART NO</u>	<u>PART NAME</u>	<u>QTY.</u>	<u>REMARKS</u>
1	463117150	VIBRATING CASE	1	
2	040406206	BEARING 6206C4	4	
3	463342040	ROTARY SHAFT, DRIVE	1	
4	463342050	ROTARY SHAFT, DRIVEN	1	
5	080200350	STOP RING S-35	4	
6	951405460	KEY 10X8X19 RR	1	
7	463342060	GEAR (DRIVE)	1	
8	463342070	GEAR (DRIVEN)	1	
9	040306807	BEARING 6807C3	2	
11	463342080	PISTON ROD	1	
12	025508045	PIN 8X45	1	
13	042506000	BEARING 6000ZZSG	2	
14	080200100	STOP RING S-10	1	
15	455435051	PISTON, 22.4D	1	
16	455010070	PACKING USH-22.4X30X5	1	
17	080100260	STOP RING R-26	1	
19	463455910	ECCENT. ROTATOR, DRIVE	2	
20	463455920	ECCENT. ROTATOR, DRIVEN	2	
21	009120304	SOCKET HEAD BOLT 10X25 T	4	
22	060202040	OIL SEAL SC-28458	1	
23	463455930	BEARING COVER	1	
24	001220820	BOLT 8X20 T	4	
25	030208200	WASHER, LOCK M8	4	
26	031108160	WASHER FLAT M8	4	
27	953405580	SEAL CAP SC-458	1	
29	463342090	CYLINDER	1	
30	001220820	BOLT 8X20 T	4	
31	030208200	WASHER, LOCK M8	4	
32	031108160	WASHER, FLAT M8	4	
33	001200812	BOLT 8X12	1	
34	953404600	COPPER PACKING 8X16X2	1	
35	954001160	ELBOW 90 DEG. PT1/4-PF1/4	1	
37	463342100	PULLEY 80D-A1	1	
38	951405240	KEY 7X7X19 R	1	
39	952406920	WASHER 9X(24-35)X10.5	1	
40	001520815	SOCKET HEAD BOLT 8X15 T	1	
43	463216110	BELT COVER (LOWER)	1	
44	001520640	SOCKET HEAD BOLT 6X40 T	5	
46	001521030	SOCKET HEAD BOLT 10X30 T	2	
47	001521060	SOCKET HEAD BOLT 10X100 T	6	
51	463456200	SPRING 1.2X15.6X130	1	
52	080100190	STOP RING R-19	1	
53	031108160	WASHER, FLAT M8	1	

BODY ASSY.



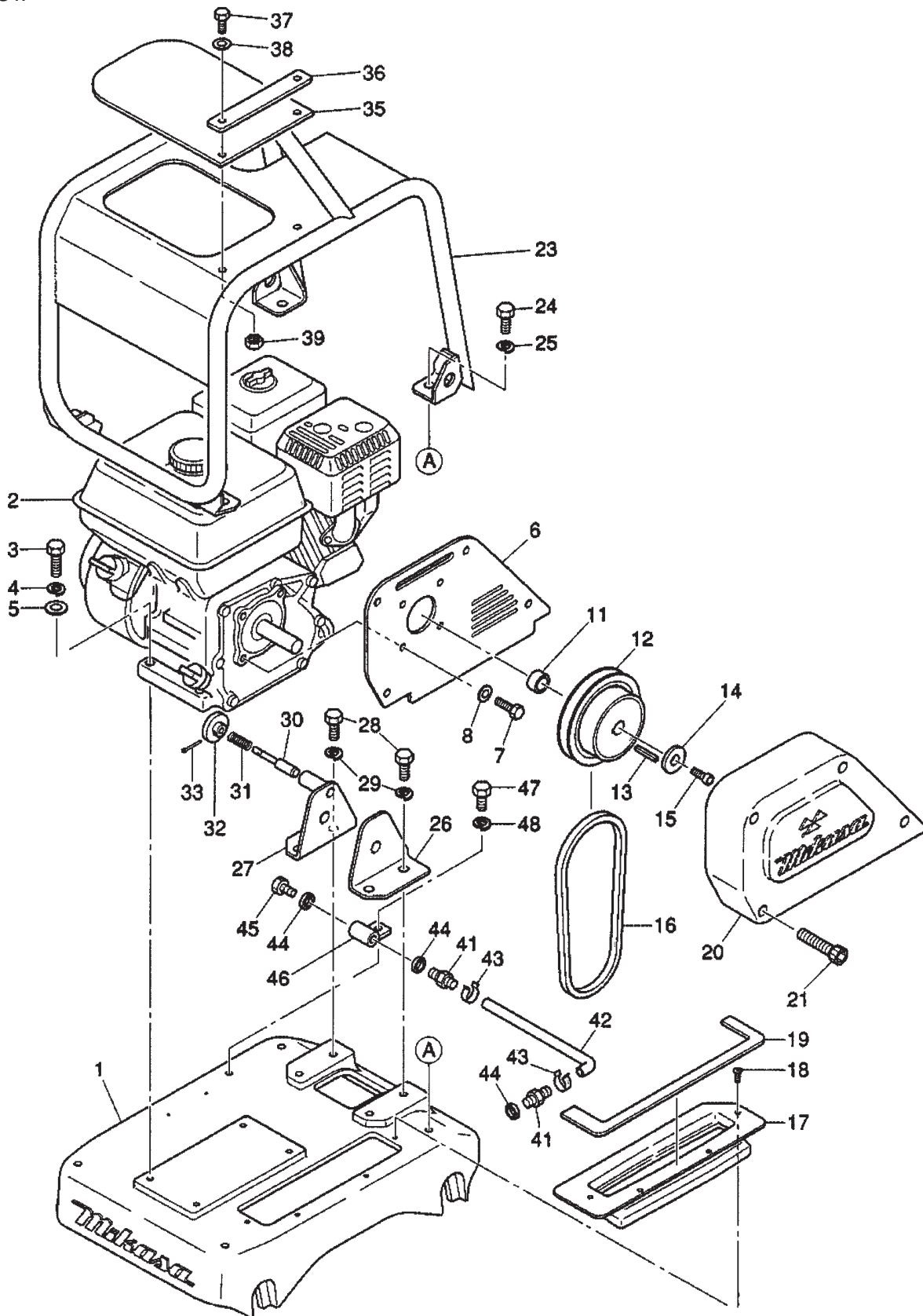
MVH-R60H — BODY ASSY.

BODY ASSY.

<u>NO</u>	<u>PART NO</u>	<u>PART NAME</u>	<u>QTY.</u>	<u>REMARKS</u>
1	463117120	BASE	1	
1	463117121	BASE (FRAME W/WATER TANK)	1	USE W/ ITEM 23 (GUARD FRAME W/WATER TANK)
2	912212004	ENGINE AY GX120K1SM12	1	
3	001220840	BOLT 8X40 T	4	
4	030208200	WASHER, LOCK M8	4	
5	031108160	WASHER,FLAT M8	4	
6	463342160	BELT COVER PLATE	1	
7	001220820	BOLT 8X20 T	4	
8	030208200	WASHER, FLAT M8	4	
11	463455900	SPACER 18X25.4X13	1	
12	460446780	CLUTCH ASSY.	1	
13	951400100	KEY 5X5X35	1	
14	460446640	WASHER, CLUTCH	1	
15	001520825	SOCKET HEAD BOLT 8X25 T	1	
16	070100322	V-BELT RPF-3320	1	
17	463216120	DUST COVER	1	
18	092006010	FLAT HEAD SCREW 6X10	4	
19	463342030	SPONGE, DUST COVER	1	
20	463117140	BELT COVER	1	
21	001520854	SOCKET HEAD BOLT 8X70 T	4	
23	463117131	GUARD FRAME	1	
23	463117500	GUARD FRAME W/WATER TANK	1	
24	001221030	BOLT 10X30 T	4	
24	001221230	BOLT 12X30 T	4	USE W/ ITEM 23 (GUARD FRAME W/WATER TANK)
25	030210250	WASHER, LOCK M10	4	
25	030212300	WASHER, LOCK M12	4	USE W/ ITEM 23 (GUARD FRAME W/WATER TANK)
26	463342010	STAY (L), HANDLE	1	
27	463342020	STAY (R), HANDLE	1	
27	463342021	STAY (R), HANDLE	1	USE W/ ITEM 23 (GUARD FRAME W/WATER TANK)
28	001221030	BOLT 10X30 T	4	
29	030210250	WASHER, LOCK M10	4	
30	458450860	STOPPER	1	
30	458450861	STOPPER	1	USE W/ ITEM 23 (GUARD FRAME W/WATER TANK)
31	458450880	SPRING 1.2-10-29	1	
32	458450850	GRIP	1	
33	025402516	SPRING PIN 2.5X16	1	
35	458450830	RUBBER COVER	1	

MVH-R60H — BODY ASSY.

BODY ASSY.



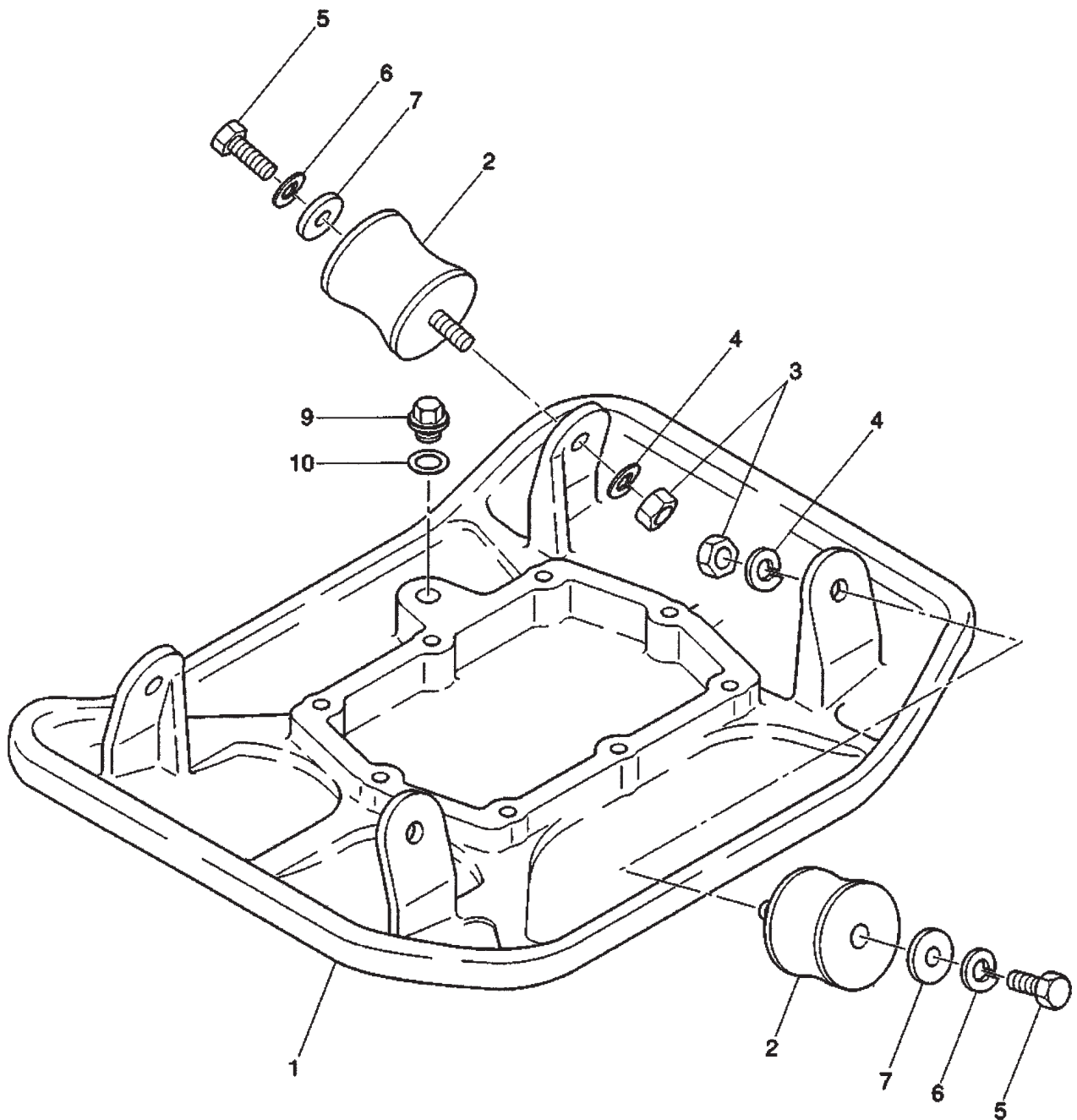
MVH-R60H — BODY ASSY.

BODY ASSY.

<u>NO</u>	<u>PART NO</u>	<u>PART NAME</u>	<u>QTY.</u>	<u>REMARKS</u>
36	458450810	PLATE, RUBBER COVER	1	
37	001220825	BOLT 8X25 T	2	
38	031108160	WASHER, FLAT M8	2	
39	022710809	NYLON NUT M8	2	
41	15550ZK8P90	DRAIN JOINT	2	
42	15552ZB9000	DRAIN HOSE	1	
43	954010070	HOSE BAND 11.5D	2	
44	90601ZE1000	WASHER, DRAIN PLUG	3	
45	90131ZE1000	BOLT, DRAIN PLUG	1	
46	458450840	JOINT	1	
47	001220820	BOLT 8X20 T	1	
48	030208200	WASHER, LOCK M8	1	

MVH-R60H — VIBRATING PLATE ASSY.

VIBRATING PLATE ASSY.



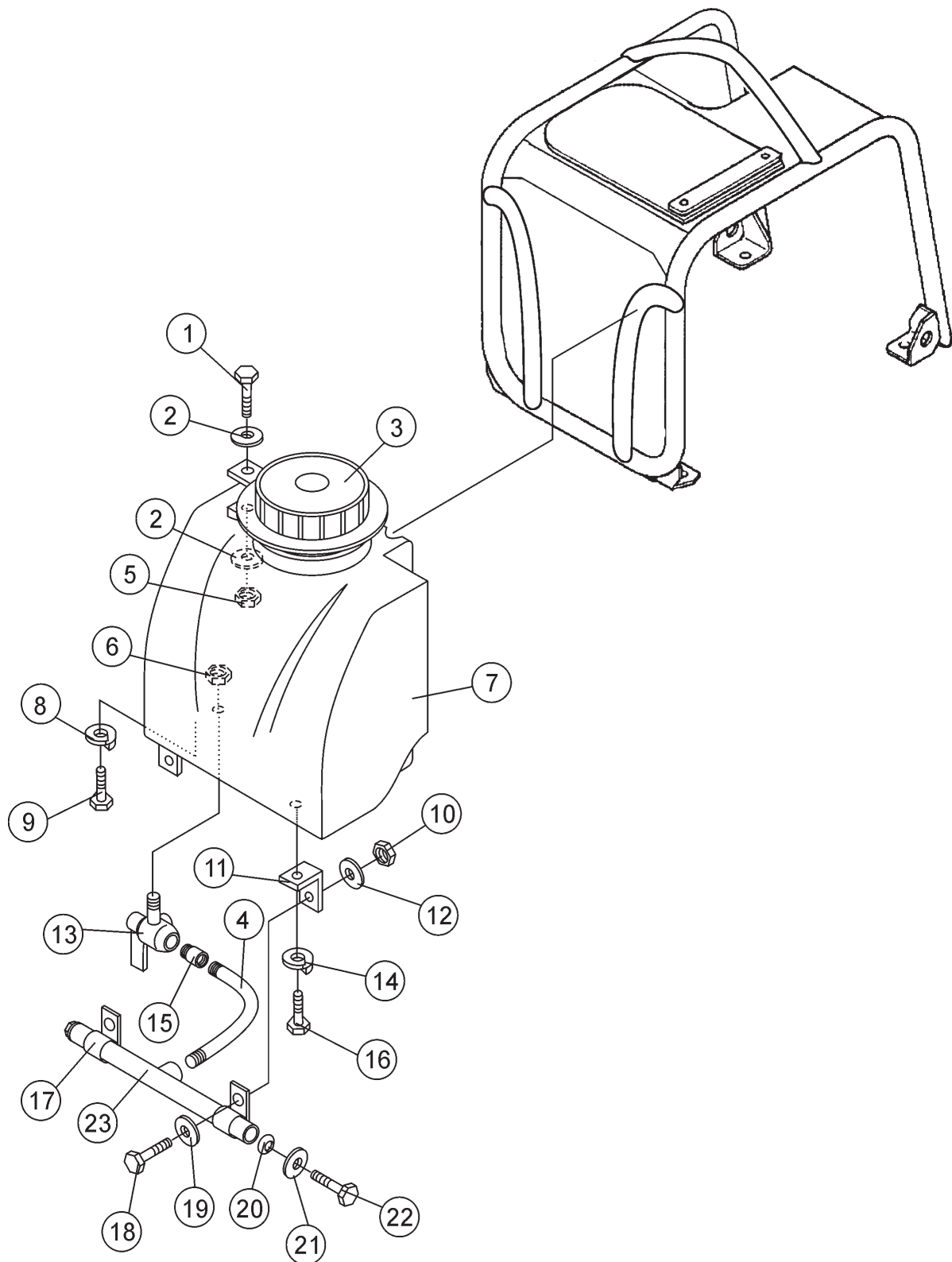
MVH-R60H — VIBRATING PLATE ASSY.

VIBRATING PLATE ASSY.

<u>NO</u>	<u>PART NO</u>	<u>PART NAME</u>	<u>QTY.</u>	<u>REMARKS</u>
1	463117110	VIBRATING PLATE	1	
2	939010160	SHOCK ABSORBER TAK-50	4	
3	020310080	NUT M10	4	
4	030210250	WASHER, LOCK M10	4	
5	001221030	BOLT 10X30 T	4	
6	030210250	WASHER, LOCK M10	4	
7	952401660	WASHER 103045	4	
9	460449160	OIL GAUGE	1	
10	953405260	PACKING 1/4 (CU)	1	

MVH-R60H — WATER TANK/SPRINKLER ASSY.

WATER TANK/SPRINKLER ASSY.



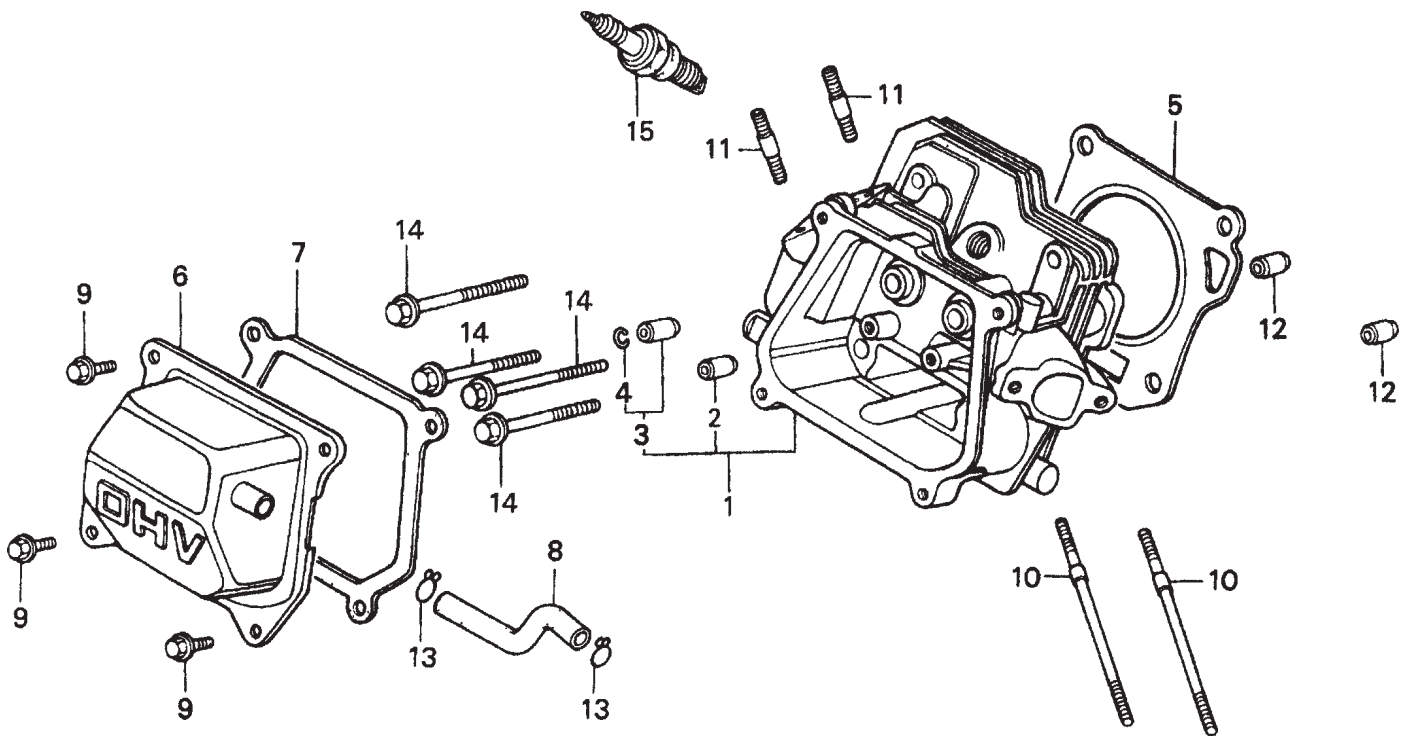
MVH-R60H — WATER TANK/SPRINKLER ASSY.

WATER TANK/SPRINKLER ASSY.

<u>NO</u>	<u>PART NO</u>	<u>PART NAME</u>	<u>QTY.</u>	<u>REMARKS</u>
1*	001241030	BOLT 10 X30	1	
2*	033910010	WASHER 10 MM 5 X 21 X 2	2	
3*	954300342	CAP, WATER TANK	1	
4	463456580	WATER HOSE	1	
5*	022910180	NYLON NUT M10	1	
6	022610808	FLANGE NUT M8	1	
7	463910010	WATER TANK ASSY.	1	INCLUDES ITEMS W/*
10	020306050	NUT M6	2	
11	463456570	L-TYPE STAY	2	
12	030206150	WASHER, LOCK M6	2	
13	954407090	HOOK ANGLE TYPE M8	1	
15	954405680	CONNECTOR 1/4 X 10	1	
16	001220615	BOLT 8X15	2	
17	954404230	CLAMP SA120--18	2	
18	001220615	BOLT 6 X15	2	
19	031106100	WASHER, FLAT	2	
20\$	515910050	CAP ASSY. W/BOLT AND WASHER	2	INCLUDES ITEMS W/#
21\$#	031106100	WASHER, M6	2	
22\$#	001220620	BOLT, 6X20	2	
23	463342970	SPRINKLING PIPE	1	INCLUDES ITEMS W/\$
24	458450830	RUBBER COVER	1	
25	001220825	BOLT 8X25	2	
26	031108160	WASHER, FLAT	2	
27	458450810	PLATE, RUBBER COVER	1	
28	022710809	NYLON NUT M8	2	
29	001221230	BOLT 12 X30	4	
30	030212300	WASHER, LOCK M12	4	

HONDA GX120K1SM12 ENGINE — CYLINDER HEAD ASSY.

CYLINDER HEAD ASSY.



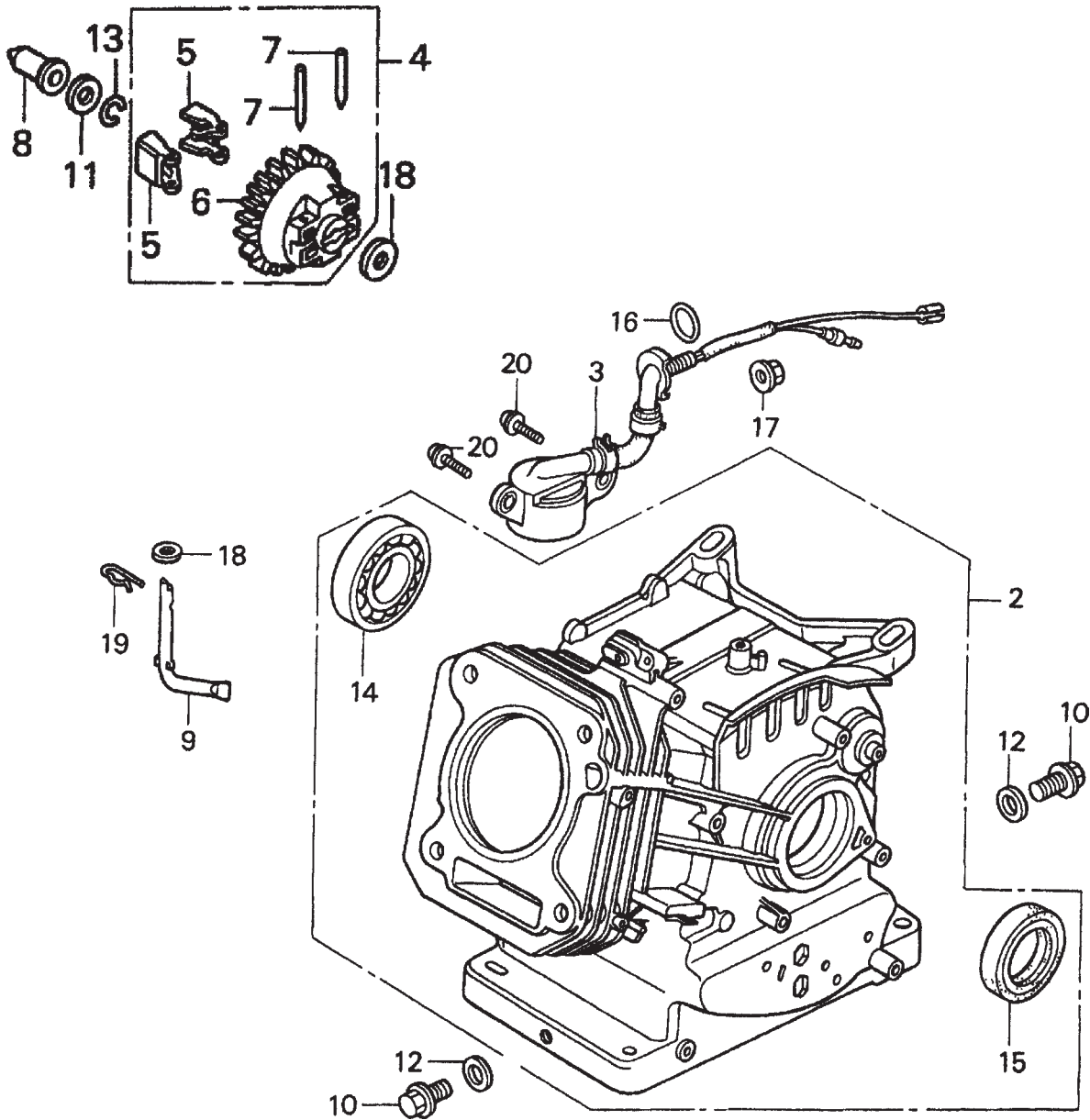
HONDA GX120K1SM12 ENGINE — CYLINDER HEAD ASSY.

CYLINDER HEAD ASSY.

<u>NO.</u>	<u>PART NO.</u>	<u>PART NAME</u>	<u>QTY.</u>	<u>REMARKS</u>
1	12210ZH7000	CYLINDER HEAD	1	INCLUDES ITEMS W/*
2*	12204ZE1306	GUIDE, VALVE (OS) OPTIONAL	1	
3*	12205ZE1315	GUIDE, EX. VALVE (OS) OPTIONAL	1	INCLUDES ITEMS W/+
4*+	12216ZE5300	CLIP, VALVE GUIDE	1	
5	12251ZH7800	GASKET, CYLINDER HEAD	1	
6	12310ZE1020	COVER, HEAD	1	
7	12391ZE1000	GASKET, CYLINDER HEAD COVER	1	
8	15721ZH8000	TUBE, BREATHER	1	
9	90013883000	BOLT, FLANGE 6X12 (CT200)	4	
10	90043ZE1020	BOLT, STUD 6X109	2	
11	90047ZE1000	BOLT, STUD 8X32	2	
12	9430110160	PIN, A, DOWEL 10X16	2	
14	957230805500	BOLT, FLANGE 8X55	4	
15	9807956846	SPARK PLUG BPR6ES (NGK)	1	

HONDA GX120K1SM12 ENGINE — CYLINDER BARREL ASSY.

CYLINDER BARREL ASSY.



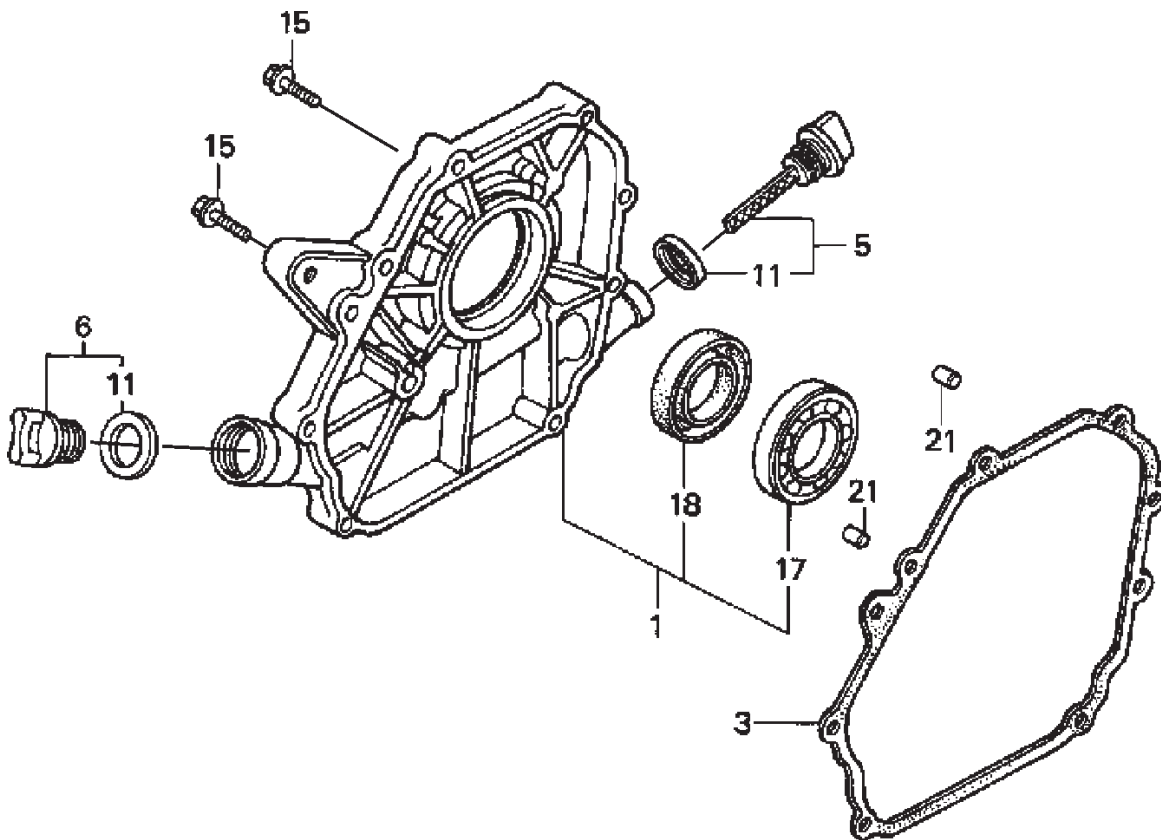
HONDA GX120K1SM12 ENGINE — CYLINDER BARREL ASSY.

CYLINDER BARREL ASSY.

<u>NO.</u>	<u>PART NO.</u>	<u>PART NAME</u>	<u>QTY.</u>	<u>REMARKS</u>
2	120A0ZH7810	BARREL ASSY., CYLINDER	1	INCLUDES ITEMS W/*
3	15510ZE1033	SWITCH ASSY., OIL LEVEL	1	
4	16510ZE1000	GOVERNOR ASSY.	1	INCLUDES ITEMS W/#
5#	16511ZE1000	WEIGHT, GOVERNOR	2	
6#	16512ZE1000	HOLDER, GOVERNOR WEIGHT	1	
7#	16513ZE1000	PIN, GOVERNOR WEIGHT	2	
8	16531ZE1000	SLIDER, GOVERNOR	1	
9	16541ZE1000	SHAFT, GOVERNOR ARM	1	
10	90131ZE1000	BOLT, DRAIN PLUG	2	
11	90451ZE1000	WASHER, THRUST 6mm	1	
12	90601ZE1000	WASHER, DRAIN PLUG 10.2mm	2	
13	90602ZE1000	CLIP, GOVERNOR HOLDER	1	
14*	91001878003	BEARING, RADIAL BALL 62/22	1	
15*	91202ZE6003	OIL SEAL 22X35X6	1	
16	91353671004	O- RING 14mm	1	
17	9405010000	NUT, FLANGE 10mm	1	
18	9410106800	WASHER, PLAIN 6mm	2	
19	9425108000	PIN, LOCK 8mm	1	
20	957010601200	BOLT, FLANGE 6X12	2	

HONDA GX120K1SM12 ENGINE — CRANKCASE COVER ASSY.

CRANKCASE COVER ASSY.



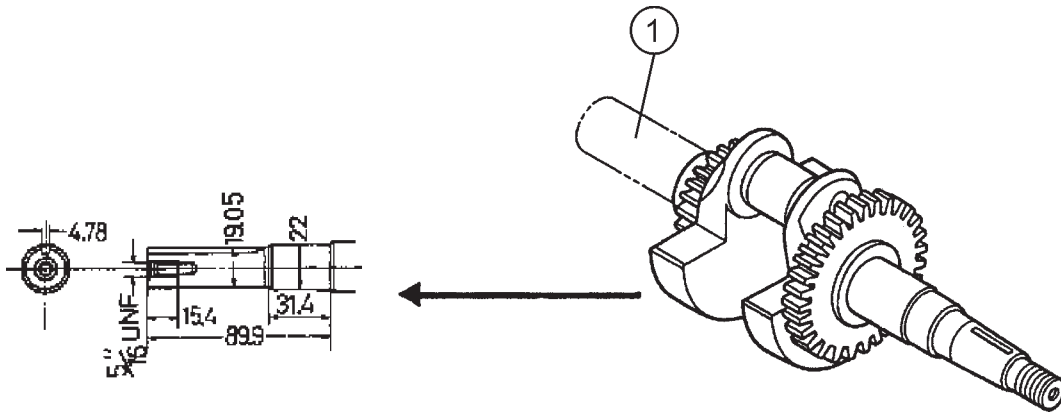
HONDA GX120K1SM12 ENGINE — CRANKCASE COVER ASSY.

CRANKCASE COVER ASSY.

<u>NO.</u>	<u>PART NO.</u>	<u>PART NAME</u>	<u>QTY.</u>	<u>REMARKS</u>
1	11300ZE0640	COVER ASSY., CRANKCASE	1	INCLUDES ITEMS W/*
3	11381ZH7800	GASKET, CRANKCASE	1	
5	15600ZE1003	CAP ASSY., OIL FILLER	1	INCLUDES ITEMS W/#
6	15600ZG4003	CAP ASSY., OIL FILLER	1	INCLUDES ITEMS W/+
11#+	15625ZE1003	PACKING, OIL FILLER CAP	2	
15	90015883000	BOLT, FLANGE 6X28	7	
17*	91001878003	BEARING, RADIAL 62/22	1	
18*	91203ZE0003	OIL SEAL 22X41X6	1	
21	9430108140	DOWEL PIN 8X14	2	

HONDA GX120K1SM12 ENGINE — CRANKSHAFT ASSY.

CRANKSHAFT ASSY.



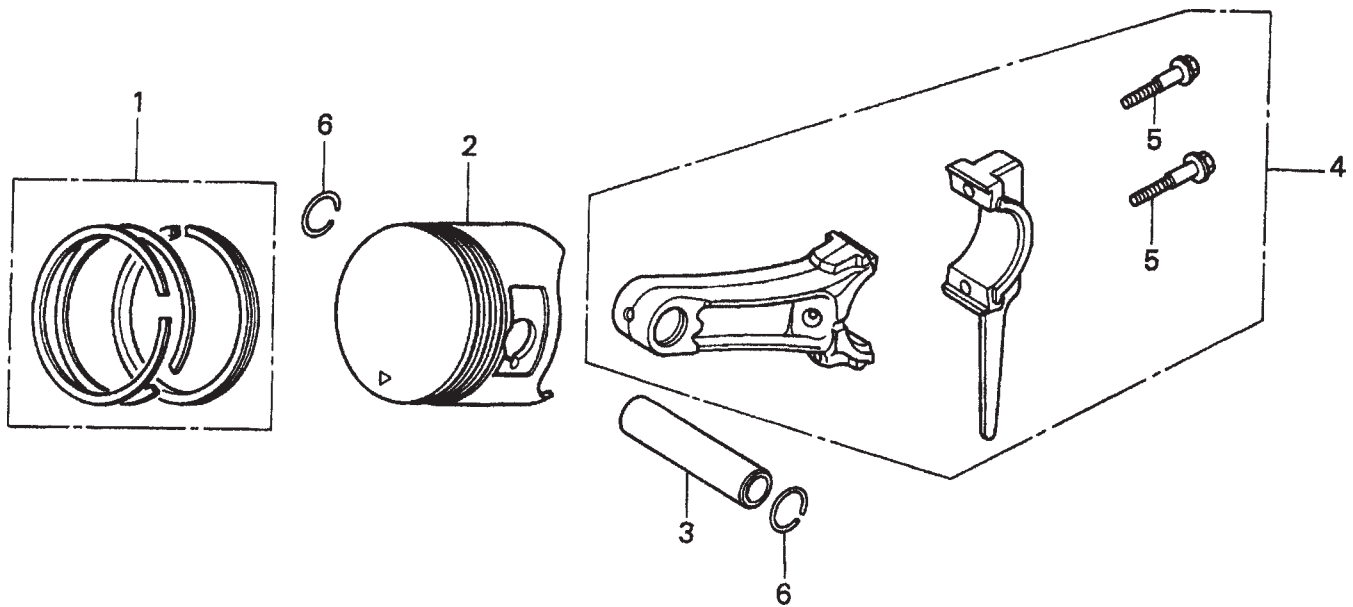
HONDA GX120K1SM12 ENGINE — CRANKSHAFT ASSY.

CRANKSHAFT ASSY.

<u>NO.</u>	<u>PART NO.</u>	<u>PART NAME</u>	<u>QTY.</u>	<u>REMARKS</u>
1	13310ZE0601	CRANKSHAFT	1	

HONDA GX120K1SM12 ENGINE — PISTON/CONNECTING ROD ASSY.

PISTON/CONNECTING ROD ASSY.



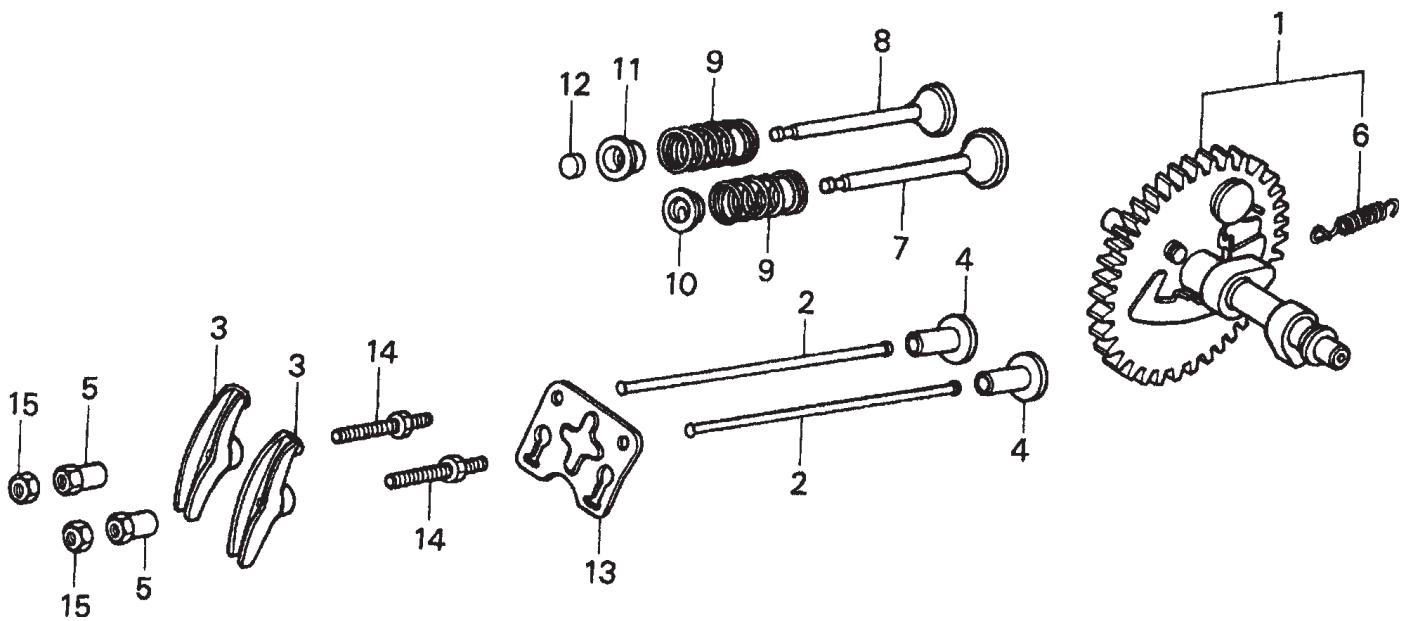
HONDA GX120K1SM12 ENGINE — PISTON/CONNECTING ROD ASSY.

PISTON/CONNECTING ROD ASSY.

<u>NO.</u>	<u>PART NO.</u>	<u>PART NAME</u>	<u>QTY.</u>	<u>REMARKS</u>
1	13010ZK7V01	RING SET, PISTON (STANDARD)	1	
1	13011ZK7V01	RING SET, PISTON (OS 0.25), OPTIONAL	1	
1	13012ZK7V01	RING SET, PISTON (OS 0.50) , OPTIONAL	1	
1	13013ZK7V01	RING SET, PISTON (OS 0.75), OPTIONAL	1	
2	13101ZH7000	PISTON, STANDARD	1	
2	13102ZH7000	PISTON, OS 0.25	1	
2	13103ZH7000	PISTON, OS 0.50	1	
2	13104ZH7000	PISTON, 0.75	1	
3	13111ZE0000	PIN, PISTON	1	
4	132A0ZE0000	ROD ASSY, CONNECTING (UNDER SIZE)	1	INCLUDES ITEMS W/*
4	13200ZE0000	ROD ASSY., CONNECTING	1	INCLUDES ITEMS W/*
5*	90001ZE1000	BOLT, CONNECTING ROD	2	
6	90551ZE0000	CLIP, PISTON PIN 13MM	2	

HONDA GX120K1SM12 ENGINE — CAMSHAFT ASSY.

CAMSHAFT ASSY.



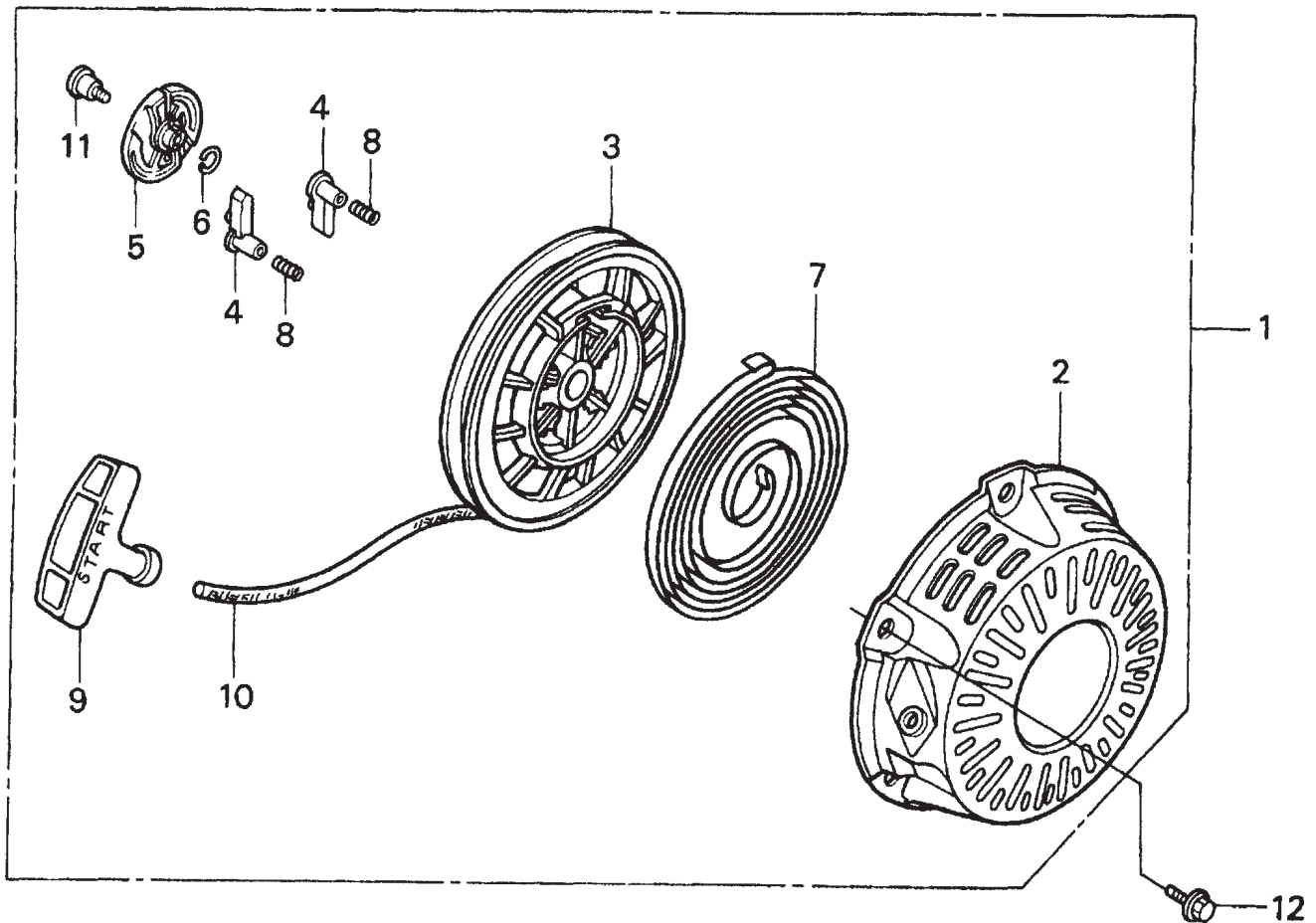
HONDA GX120K1SM12 ENGINE — CAMSHAFT ASSY.

CAMSHAFT ASSY.

<u>NO.</u>	<u>PART NO.</u>	<u>PART NAME</u>	<u>QTY.</u>	<u>REMARKS</u>
1	14100ZE0812	CAMSHAFT ASSY.	1	INCLUDES ITEMS W/*
2	14410ZE0010	ROD, PUSH	2	
3	14431ZE1000	ARM, VALVE ROCKER	2	
4	14441ZE1010	LIFTER, VALVE	2	
5	14451ZE1013	PIVOT, ROCKER ARM	2	
6*	14568ZE1000	SPRING, WEIGHT RETURN	1	
7	14711ZF0000	VALVE, IN.	1	
8	14721ZF0000	VALVE, EX.	1	
9	14751ZF1000	SPRING, VALVE	2	
10	14771ZE1000	RETAINER, IN. VALVE SPRING	1	
11	14773ZE1000	RETAINER, EX. VALVE SPRING	1	
12	14781ZE1000	ROTATOR, VALVE	1	
13	14791ZE0010	PLATE, PUSH ROD GUIDE	1	
14	90012ZE0010	BOLT, PIVOT 8MM	2	
15	90206ZE1000	NUT, PIVOT ADJ.	2	

HONDA GX120K1SM12 ENGINE — RECOIL STARTER ASSY.

RECOIL STARTER ASSY.



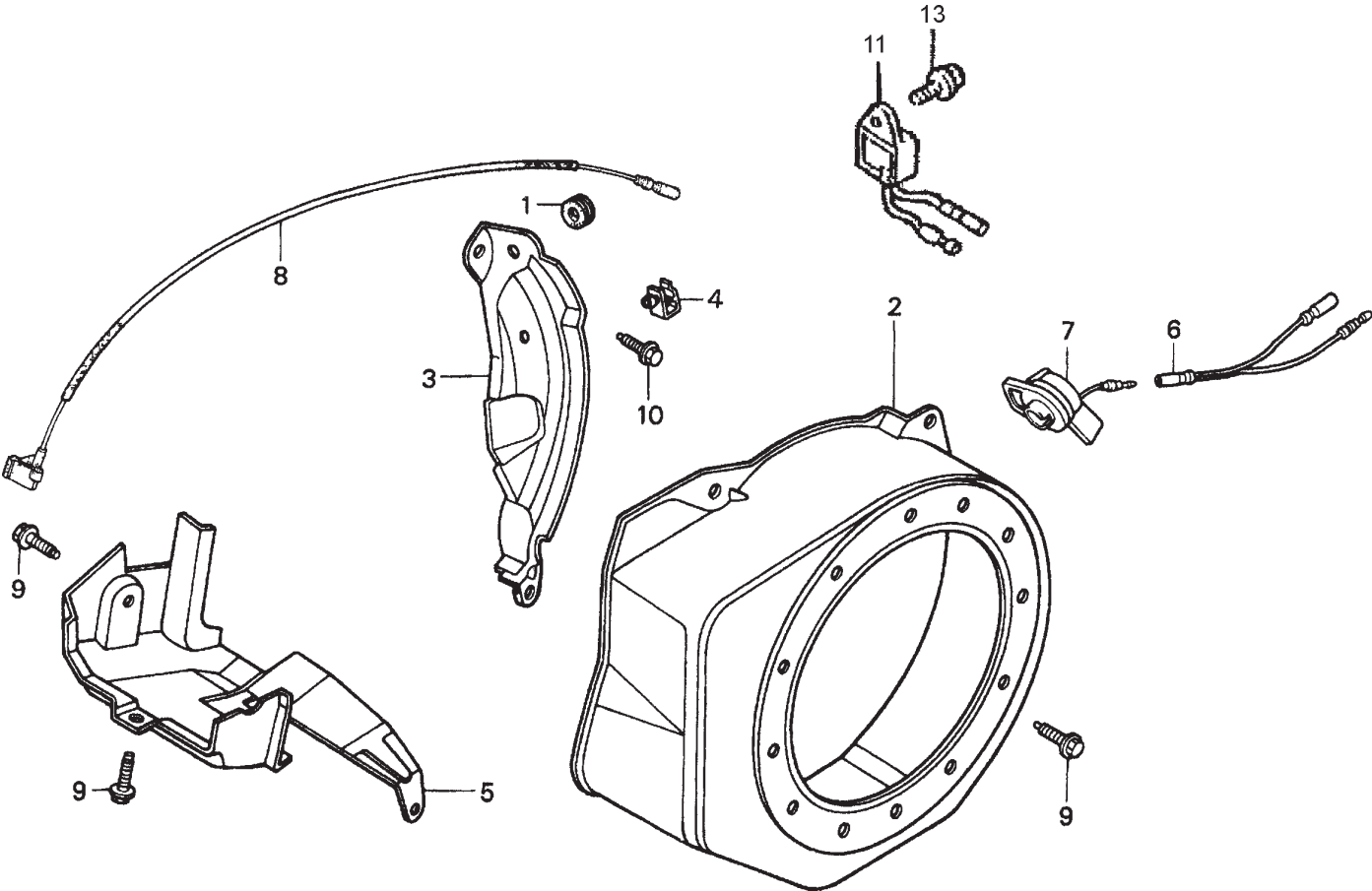
HONDA GX120K1SM12 ENGINE — RECOIL STARTER ASSY.

RECOIL STARTER ASSY.

<u>NO.</u>	<u>PART NO.</u>	<u>PART NAME</u>	<u>QTY.</u>	<u>REMARKS</u>
1	28400ZH8013ZA	STARTER ASSY., RECOIL *NH1* (BLACK)	1	INCLUDES ITEMS W/*
2*	28410ZH8003ZA	CASE, RECOIL STARTER *NH1* (BLACK)	1	
3*	28420ZH8013	REEL, RECOIL STARTER	1	
4*	28422ZH8013	RATCHET, STARTER	2	
5*	28433ZH8003	GUIDE, RATCHET	1	
6*	28441ZH8003	SPRING, FRICTION	1	
7*	28442ZH8003	SPRING, RECOIL STARTER	1	
8*	28443ZH8003	SPRING, RETURN	2	
9*	28461ZH8003	KNOB, RECOIL STARTER	1	
10*	28462ZH8003	ROPE, RECOIL STARTER	1	
11*	90003ZH8003	SCREW, SETTING	1	
12	9008ZE2003	BOLT, FLANGE 6X10	3	

HONDA GX120K1SM12 ENGINE — FAN COVER ASSY.

FAN COVER ASSY.



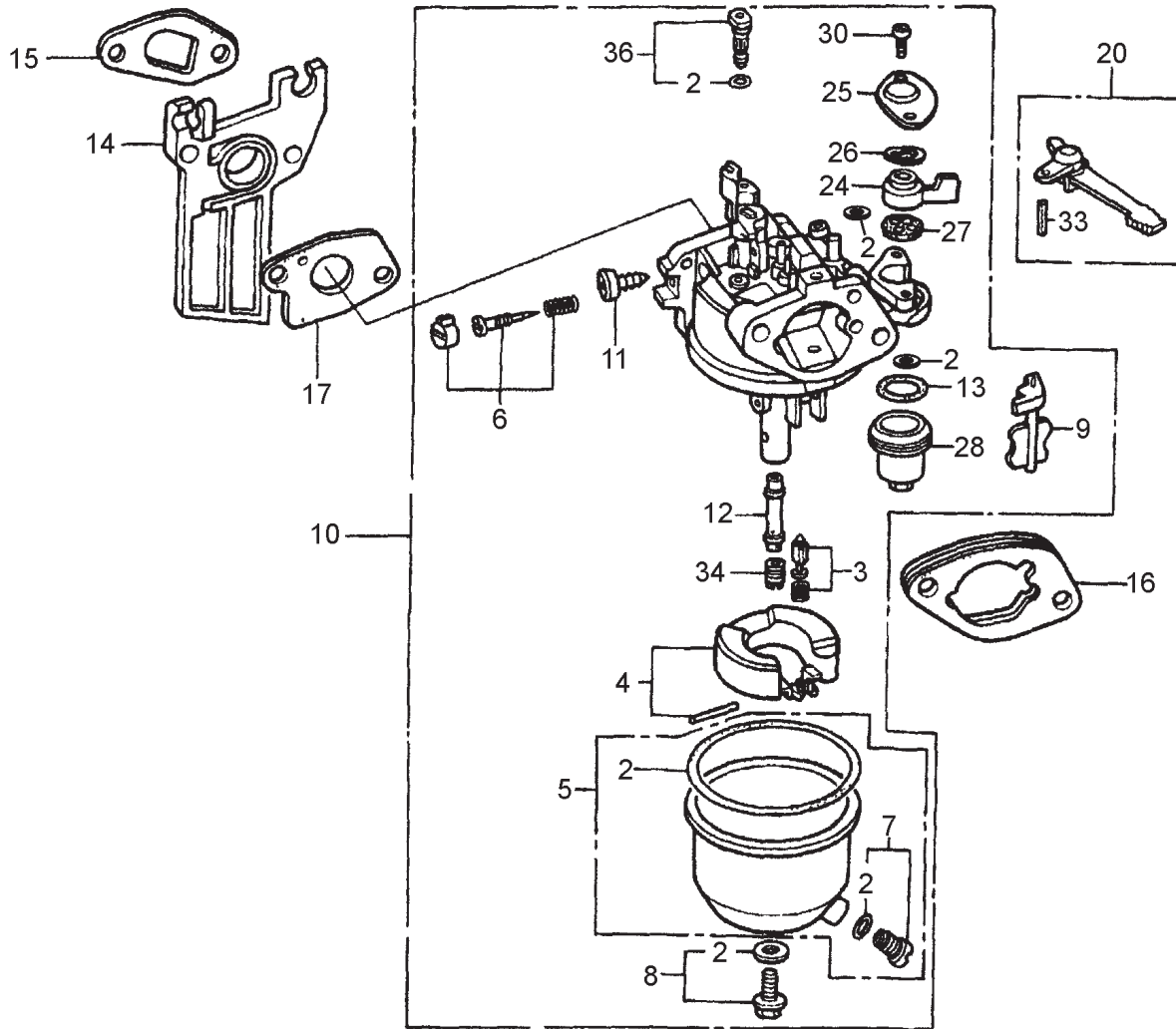
HONDA GX120K1SM12 ENGINE — FAN COVER ASSY.

FAN COVER ASSY.

<u>NO.</u>	<u>PART NO.</u>	<u>PART NAME</u>	<u>QTY.</u>	<u>REMARKS</u>
1	11347371300	GROMMET, ADJUSTING COVER	1	
2	19610ZE0000ZA	COVER, FAN RED	1	
3	19611ZH7810	PLATE, SIDE (OIL ALERT)	1	
4	90601ZH7013	CLIP, HARNESS	1	
5	19630ZH7000	SHROUD	1	
6	32197ZH8003	SUB- HARNESS	1	
7	36100ZH7003	SWITCH ASSEMBLY, ENGINE STOP	1	
8	36101ZE1010	WIRE, STOP SWITCH 370MM	1	
9	90013883000	BOLT, FLANGE 6X12 (CT200)	6	
10	90022888010	BOLT, FLANGE 6X12 (CT200)	1	
11	34150ZH7003	ALERT UNIT, OIL	1	
13	95 7010600800	BOLT, FLANGE 6X8	1	

HONDA GX120K1SM12 ENGINE — CARBURETOR ASSY.

CARBURETOR ASSY.



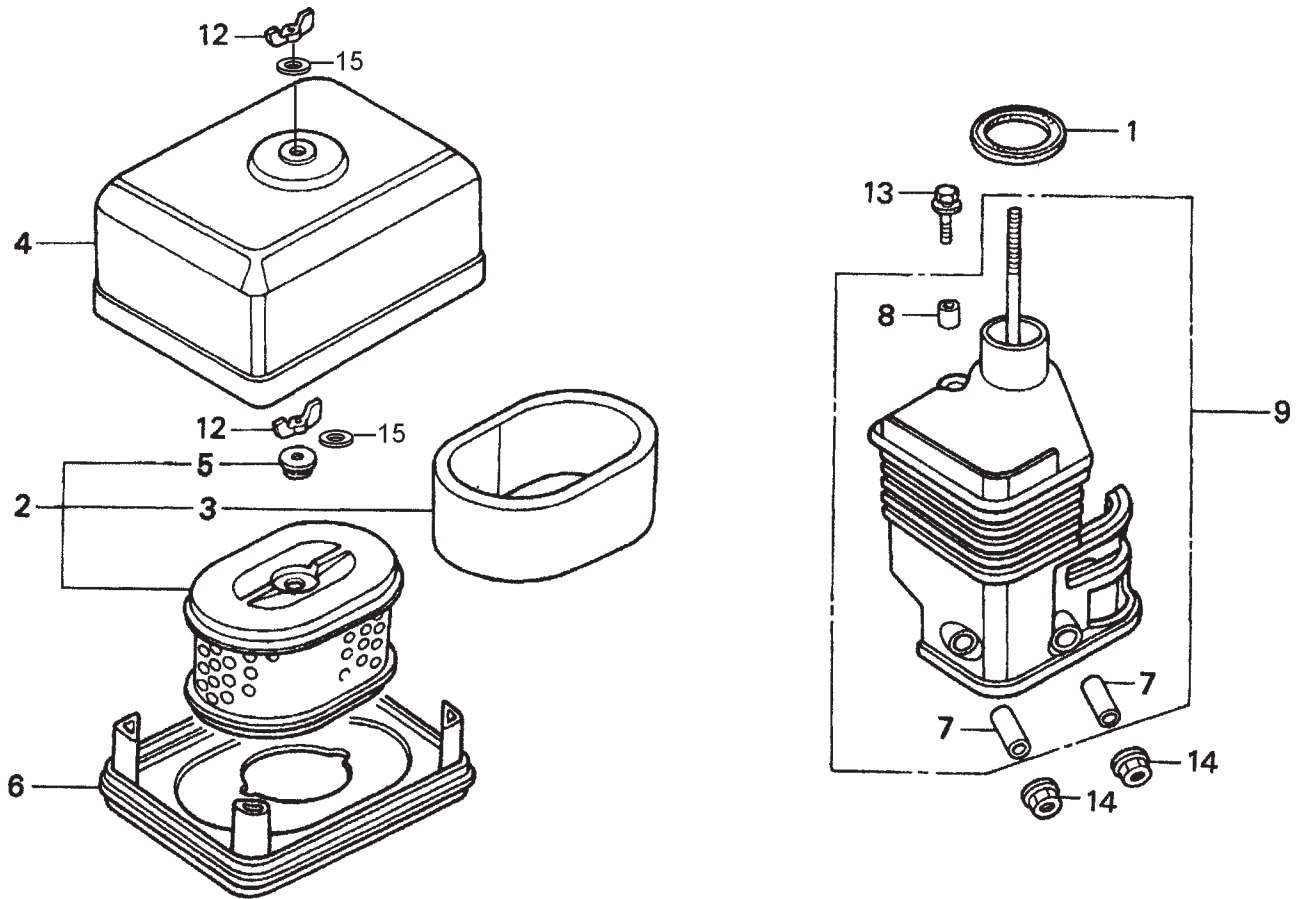
HONDA GX120K1SM12 ENGINE — CARBURETOR ASSY.

CARBURETOR ASSY.

<u>NO.</u>	<u>PART NO.</u>	<u>PART NAME</u>	<u>QTY.</u>	<u>REMARKS</u>
2*#	16010ZE1812	GASKET SET	1	
3*	16011ZE0005	VALVE SET, FLOAT	1	
4*	16013ZE0005	FLOAT SET	1	
5*	16015ZE0831	FLOAT CHAMBER SET	1	INCLUDES ITEMS W/#
7*#	16024ZE1811	DRAIN SCREW SET	1	
8*	16028ZE0005	SCREW SET B	1	
9*	16044ZE0005	CHOKE SET	1	
10	16100ZH7W51	CARBURETOR ASSY., BE60B B	1	INCLUDES ITEMS W/*
11*	16124ZE0005	SCREW, THROTTLE STOP	1	
12*	16166ZH7W50	NOZZLE, MAIN	1	
13*	16173001004	PACKING, CUP	1	
14	16211ZE0000	INSULATOR, CARBURETOR	1	
15	16212ZH7800	PACKING, INSULATOR	1	
16	16220ZE1020	SPACER, CARBURETOR	1	
17	16221ZH8801	GASKET, CARBURETOR	1	
20	16610ZE1000	LEVER, CHOKE (STANDARD)	1	INCLUDES ITEMS W/+
24*	16953ZE1812	LEVER, VALVE	1	
25*	16954ZE1812	PLATE, LEVER SETTING	1	
26*	16956ZE1811	SPRING, VALVE LEVER	1	
27*	16957ZE1812	GASKET, VALVE	1	
28*	16967ZE0811	CUP, FUEL STRAINER	1	
30*	93500030061H	SCREW, PAN (3 X 6)	2	
33+	9430520122	PIN, SPRING (2 X 12)	1	
34*	99101ZH80600	JET, MAIN (#60)	1	
35*	99204ZE00350	JET, SET, PILOT (#35)	1	
36	16016ZH7W01	SCREW SET	1	

HONDA GX120K1SM12 ENGINE — AIR CLEANER ASSY.

AIR CLEANER ASSY.



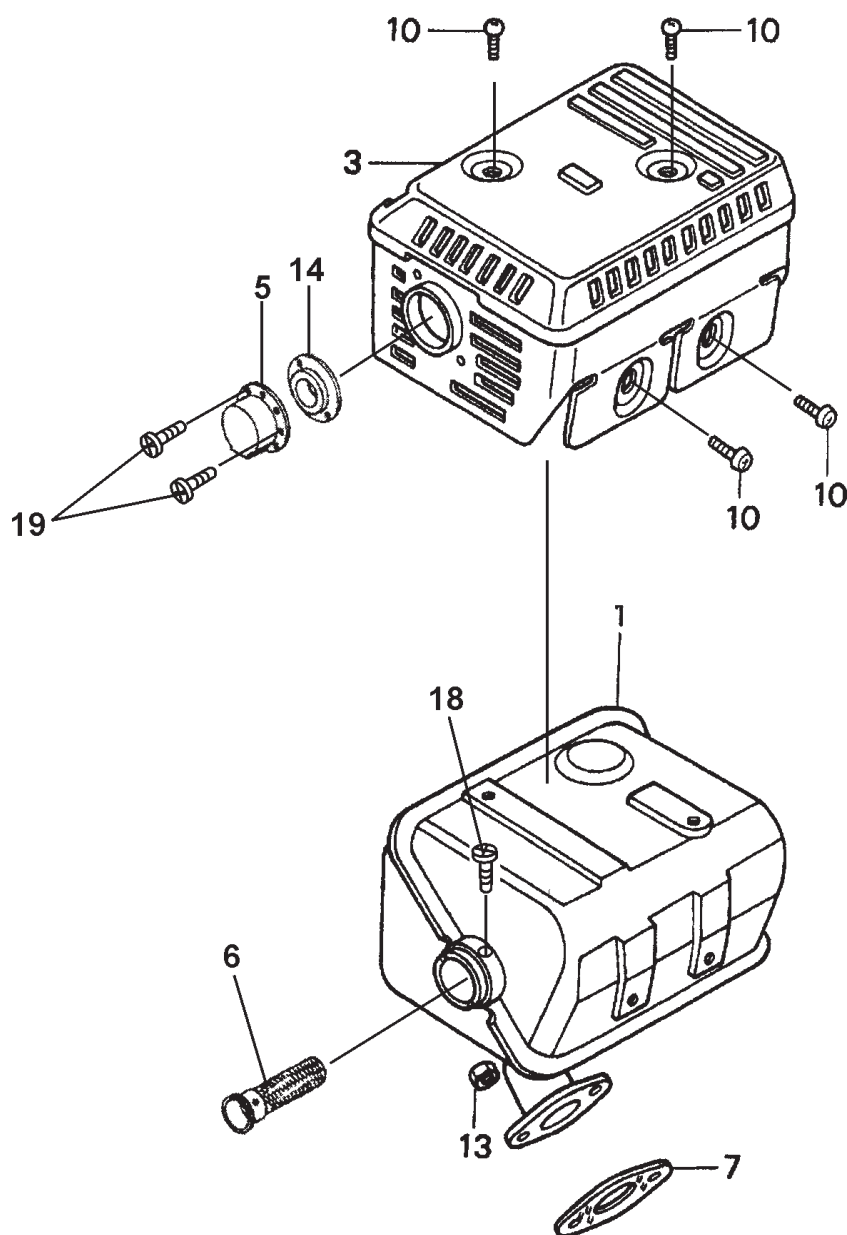
HONDA GX120K1SM12 ENGINE — AIR CLEANER ASSY.

AIR CLEANER ASSY.

<u>NO.</u>	<u>PART NO.</u>	<u>PART NAME</u>	<u>QTY.</u>	<u>REMARKS</u>
1	16271ZE1000	GASKET, ELBOW	1	
2	17210ZE0822	CLEANER ELEMENT	1	INCLUDES ITEMS W/#
3#	17218ZE0821	ELEMENT OUTER	1	
4	17230ZE0820	COVER, AIR CLEANER	1	
5#	17232891000	GROMMET, AIR CLEANER	1	
6	17235ZE1831	NOSE, SILENCER	1	
7*	17238ZE0010	COLLAR, AIR CLEANER	2	
8*	17239ZE1000	COLLAR B, AIR CLEANER	1	
9	17410ZE0030	ELBOW, AIR CLEANER	1	INCLUDES ITEMS W/*
12	90325044000	WINGNUT, TOOL BOX SETTING	2	
13	957010602000	BOLT, FLANGE 6X20	1	
14	9405006000	NUT, FLANGE 6MM	2	
15	9410106800	PLAIN WASHER 6MM	2	

HONDA GX120K1SM12 ENGINE — MUFFLER ASSY.

MUFFLER ASSY.



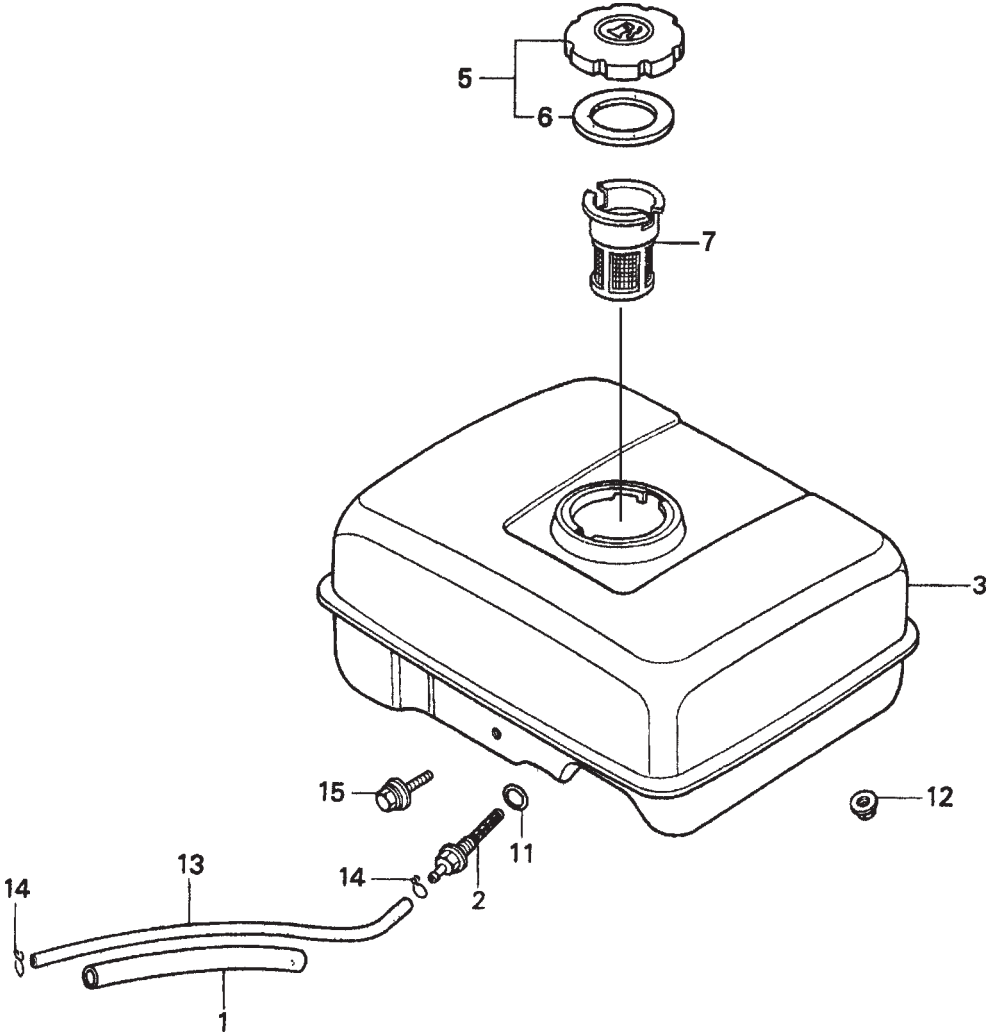
HONDA GX120K1SM12 ENGINE — MUFFLER ASSY.

MUFFLER ASSY.

<u>NO.</u>	<u>PART NO.</u>	<u>PART NAME</u>	<u>QTY.</u>	<u>REMARKS</u>
1	18310ZH8810	MUFFLER, ARRESTER	1	
3	18320ZF1H01	PROTECTOR, MUFFLER	1	
5	18340ZE1010	DEFLECTOR	1	
6	18355ZE1000	ARRESTER, SPARK		
7	18381ZH8800	GASKET, MUFFLER	1	
10	90050ZE1000	SCREW, TAPPING 5X8	4	
13	94001080000S	NUT, HEX. 8MM	2	
14	18522ZE1000	GUIDE, MUFFLER	1	
18	90055ZE1000	SCREW, TAPPING 4X6	1	
19	90002ZG0003	SCREW, TAPPING 4X8	2	

HONDA GX120K1SM12 ENGINE — FUEL TANK ASSY.

FUEL TANK ASSY.



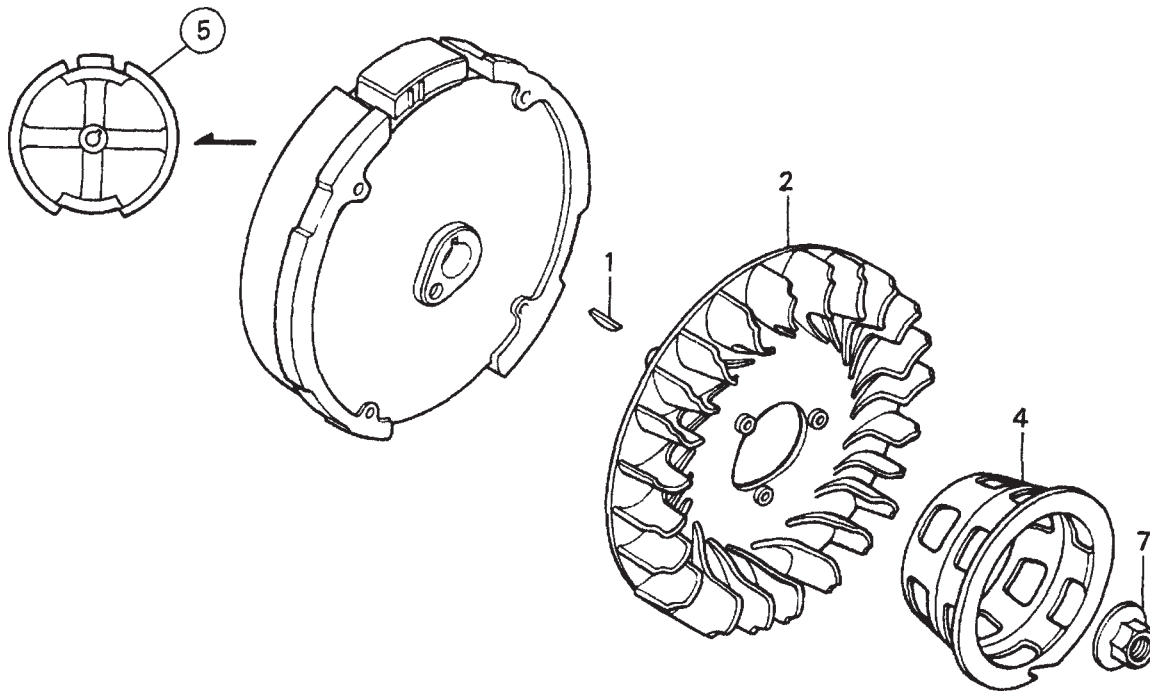
HONDA GX120K1SM12 ENGINE — FUEL TANK ASSY.

FUEL TANK ASSY.

<u>NO.</u>	<u>PART NO.</u>	<u>PART NAME</u>	<u>QTY.</u>	<u>REMARKS</u>
1	16854ZH8000	RUBBER, SUPPORTER 107MM	1	
2	16955ZE1000	JOINT, FUEL TANK	1	
3	17510ZE0020ZD	TANK, FUEL *NH1* (BLACK)	1	
5	17620ZH7023	CAP, FUEL FILLER	1	INCLUDES ITEMS W/*
6*	17631ZH7003	GASKET, FUEL FILLER CAP	1	
7	17672ZE2W01	FUEL FILTER	1	
11	91353671004	O- RING 14MM	1	
12	9405006000	NUT, FLANGE 6MM	2	
13	950014514040	BULK HOSE, FUEL 4.5X140	1	
14	9500202080	CLIP, TUBE (B8)	2	
15	957010602500	BOLT, FLANGE 6X25	1	

HONDA GX120K1SM12 ENGINE — FLYWHEEL ASSY.

FLYWHEEL ASSY.



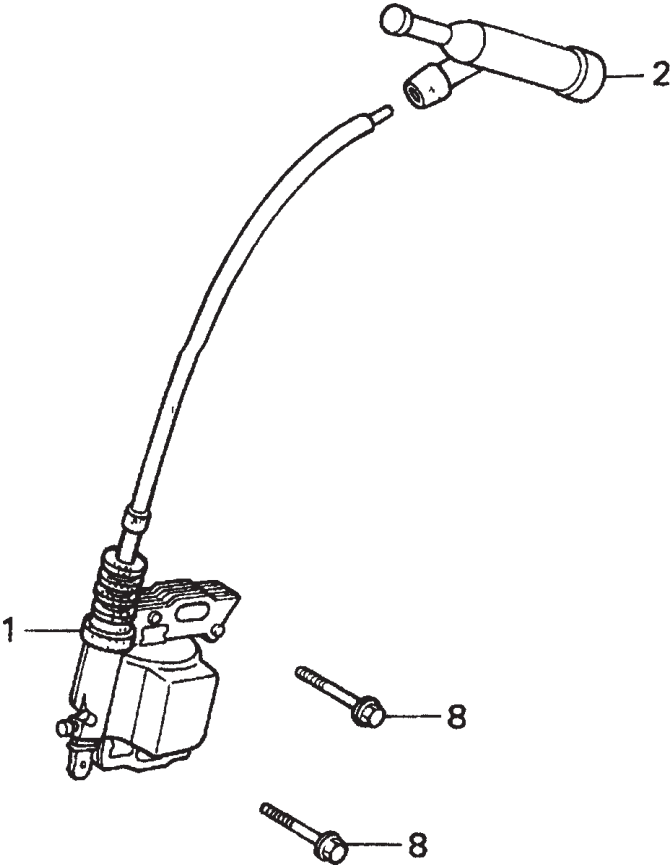
HONDA GX120K1SM12 ENGINE — FLYWHEEL ASSY.

FLYWHEEL ASSY.

<u>NO.</u>	<u>PART NO.</u>	<u>PART NAME</u>	<u>QTY.</u>	<u>REMARKS</u>
1	13331357000	KEY, SPECIAL WOODRUFF 25X18	1	
2	19511ZE0000	FAN, COOLING	1	
4	28451ZH8003	PULLEY, STARTER	1	
5	31100ZE0010	FLYWHEEL	1	
7	90201878003	NUT, SPECIAL 14MM	1	

HONDA GX120K1SM12 ENGINE — IGNITION COIL ASSY.

IGNITION COIL ASSY.



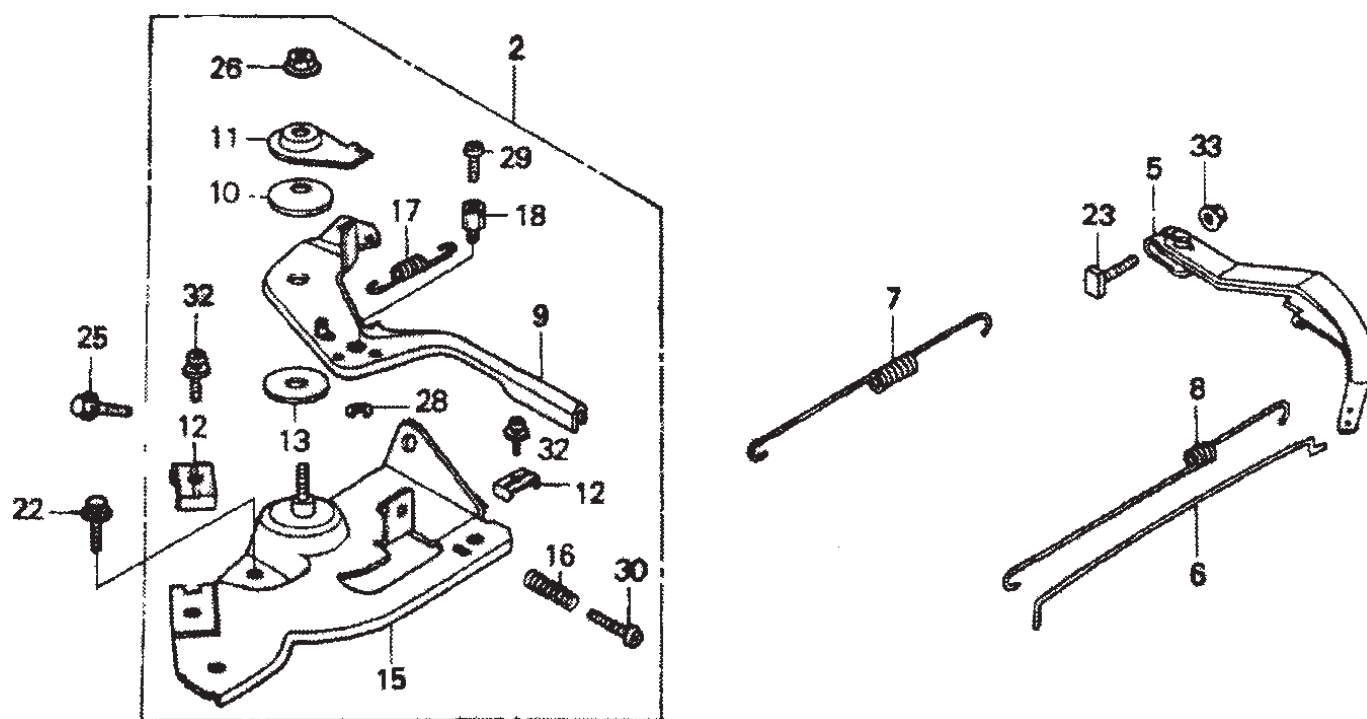
HONDA GX120K1SM12 ENGINE — IGNITION COIL ASSY.

IGNITION COIL ASSY.

<u>NO.</u>	<u>PART NO.</u>	<u>PART NAME</u>	<u>QTY.</u>	<u>REMARKS</u>
1	30500ZE1033	COIL ASSY., IGNITION	1	
2	30700ZE1013	CAP ASSY., NOISE SUPPRESSOR	1	
8	90121952000	BOLT, FLANGE 6X25	2	

HONDA GX120K1SM12 ENGINE — CONTROL ASSY.

CONTROL ASSY.



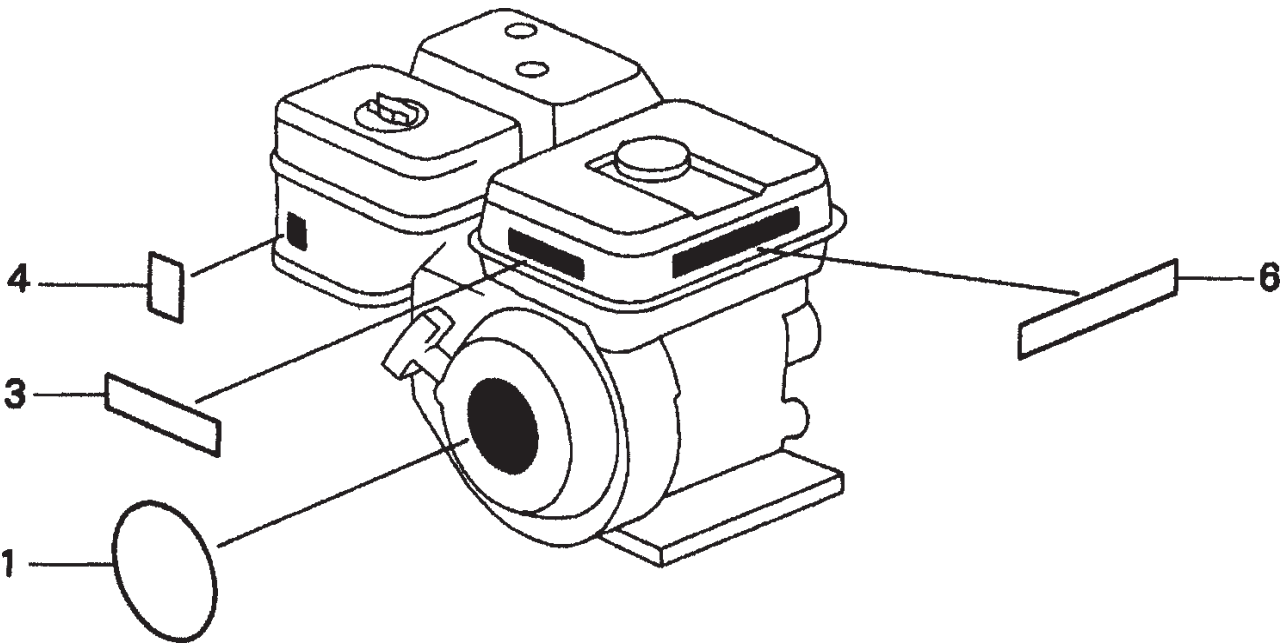
HONDA GX120K1SM12 ENGINE — CONTROL ASSY.

CONTROL ASSY.

<u>NO.</u>	<u>PART NO.</u>	<u>PART NAME</u>	<u>QTY.</u>	<u>REMARKS</u>
2	16500ZH7810	CONTROL ASSY.	1	INCLUDES ITEMS W/#
5	16551ZE0010	ARM, GOVERNOR	1	
6	16555ZE0000	ROD, GOVERNOR	1	
7	16561ZE0020	SPRING, GOVERNOR	1	
8	16562ZE0020	SPRING, THROTTLE RETURN	1	
9#	16571ZH7000	LEVER, CONTROL	1	
10#	16574ZE1000	SPRING, LEVER	1	
11#	16575ZH8000	WASHER, CONTROL LEVER	1	
12#	16576891000	HOLDER, CABLE		
13#	16578ZE1000	SPACER, CONTROL LEVER	1	
15#	16580ZH7810	BASE CONTROL	1	
16#	16584883300	SPRING, CONTROL ADJUSTING	1	
17#	16592ZE1810	SPRING, CABLE RETURN	1	
18#	16594883010	HOLDER, WIRE	1	
22	90013883000	BOLT, FLANGE 6X12 (CT200)	1	
23	90015ZE5010	BOLT, GOVERNOR ARM	1	
25	90022888010	BOLT, FLANGE 6X20 (CT200)	1	
26#	90114SA0000	NUT, SELF- LOCK 6MM	1	
28#	93500040060H	SCREW 4X6	1	
30#	93500050250H	SCREW, PAN 5X25	1	
32#	93500050160A	SCREW, PAN 5X16	1	
33	9405006000	NUT, FLANGE 6MM	1	

HONDA GX120K1SM12 ENGINE — LABELS ASSY.

LABELS ASSY.



HONDA GX120K1SM12 ENGINE — LABELS ASSY.

LABELS ASSY.

<u>NO.</u>	<u>PART NO.</u>	<u>PART NAME</u>	<u>QTY.</u>	<u>REMARKS</u>
1	87521ZH7020	EMBLEM	1	
3	87522ZH9000	LABEL, CAUTION	1	
4	87528ZE1810	MARK, CHOKE	1	
6	87532ZH8810	MARK, OIL ALERT (E)	1	

PARTS MANUAL

HERE'S HOW TO GET HELP

PLEASE HAVE THE MODEL AND SERIAL
NUMBER ON-HAND WHEN CALLING

UNITED STATES

Multiquip Inc.

(310) 537- 3700
6141 Katella Avenue Suite 200
Cypress, CA 90630
E-MAIL: mq@multiquip.com
WEBSITE: www.multiquip.com

CANADA

Multiquip

(450) 625-2244
4110 Industriel Boul.
Laval, Quebec, Canada H7L 6V3
E-MAIL: infocanada@multiquip.com

UNITED KINGDOM

Multiquip (UK) Limited Head Office

0161 339 2223
Unit 2, Northpoint Industrial Estate,
Globe Lane,
Dukinfield, Cheshire SK16 4UJ
E-MAIL: sales@multiquip.co.uk

© COPYRIGHT 2020, MULTIQUIP INC.

Multiquip Inc, the MQ logo are registered trademarks of Multiquip Inc. and may not be used, reproduced, or altered without written permission. All other trademarks are the property of their respective owners and used with permission.

This manual MUST accompany the equipment at all times. This manual is considered a permanent part of the equipment and should remain with the unit if resold.

The information and specifications included in this publication were in effect at the time of approval for printing. Illustrations, descriptions, references and technical data contained in this manual are for guidance only and may not be considered as binding. Multiquip Inc. reserves the right to discontinue or change specifications, design or the information published in this publication at any time without notice and without incurring any obligations.

Your Local Dealer is:

