



# Towable Concrete, Plaster and Mortar Mixers

## Universal Fender Installation Instructions

The following instructions are intended to assist the user with the installation of the Universal Fender Kit to be used on towable concrete, plaster and mortar mixer models MC44, MC64, MC94, WM63, WM70, WM90, EM70, and EM90. Please read all assembly instructions before installing the kit.

### REQUIRED TOOLS

- Ratchet/Socket Set
- 3/16" Allen Wrench

### PARTS

Verify that all parts are accounted for. See Figure 1 and Table 1.

Table 1. Universal Fender Kit				
Item No.	Part No.	Description	QTY.	Remarks
1	MFENDERKIT	Universal Fender Kit Towable Mixers	1	Includes items 2-9
2	—	Curb-Side Fender	1	
3	—	Street-Side Fender	1	
4	—	Clamp	2	
5	—	Cap Screw, 3/4"-14 x 2-1/2" G5	4	
6	—	Set Screw, 3/16"	4	
7	—	Washer, Flat 3/4"	4	
8	—	Washer, Lock 3/4"	4	

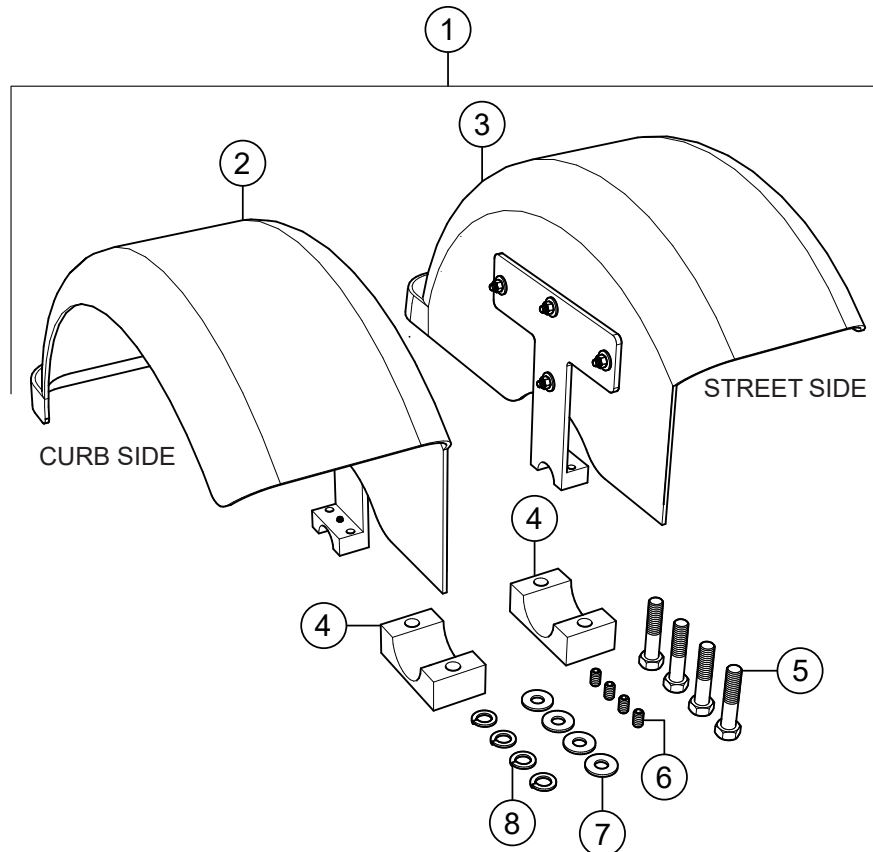


Figure 1. Universal Fender Kit Parts

## WORK SAFELY!

Only a **qualified service technician** with proper training should perform this installation. Follow all shop safety rules when performing this installation.

## PREPARATION

1. Make sure engine is turned off and engine is cool.
2. Place the mixer in an area free of dirt and debris. Make sure it is on secure, level ground.

## PROCEDURE

1. Place the **curb-side** fender assembly over the axle shroud as shown in Figure 2A.
2. Position the fender so that there is at least a minimum 1-inch (25.4 mm) clearance between the fender and the tire as shown in Figure 2B.
3. Once the fender has been properly positioned onto the axle (Figure 2C), secure fender with clamp using a 1/2" lock washer (2), 1/2" flat washer (2) and 3/4"-14 x 2-1/2" hex head cap screw (2). Tighten bolts securely.

### NOTICE

Tighten hex head cap screws until lock washers are **fully** compressed.

4. To complete the assembly, insert two 3/16" set screws into the clamp as shown in Figure 2D. Tighten set screws securely.
5. Repeat this procedure on the **street side** of the mixer.

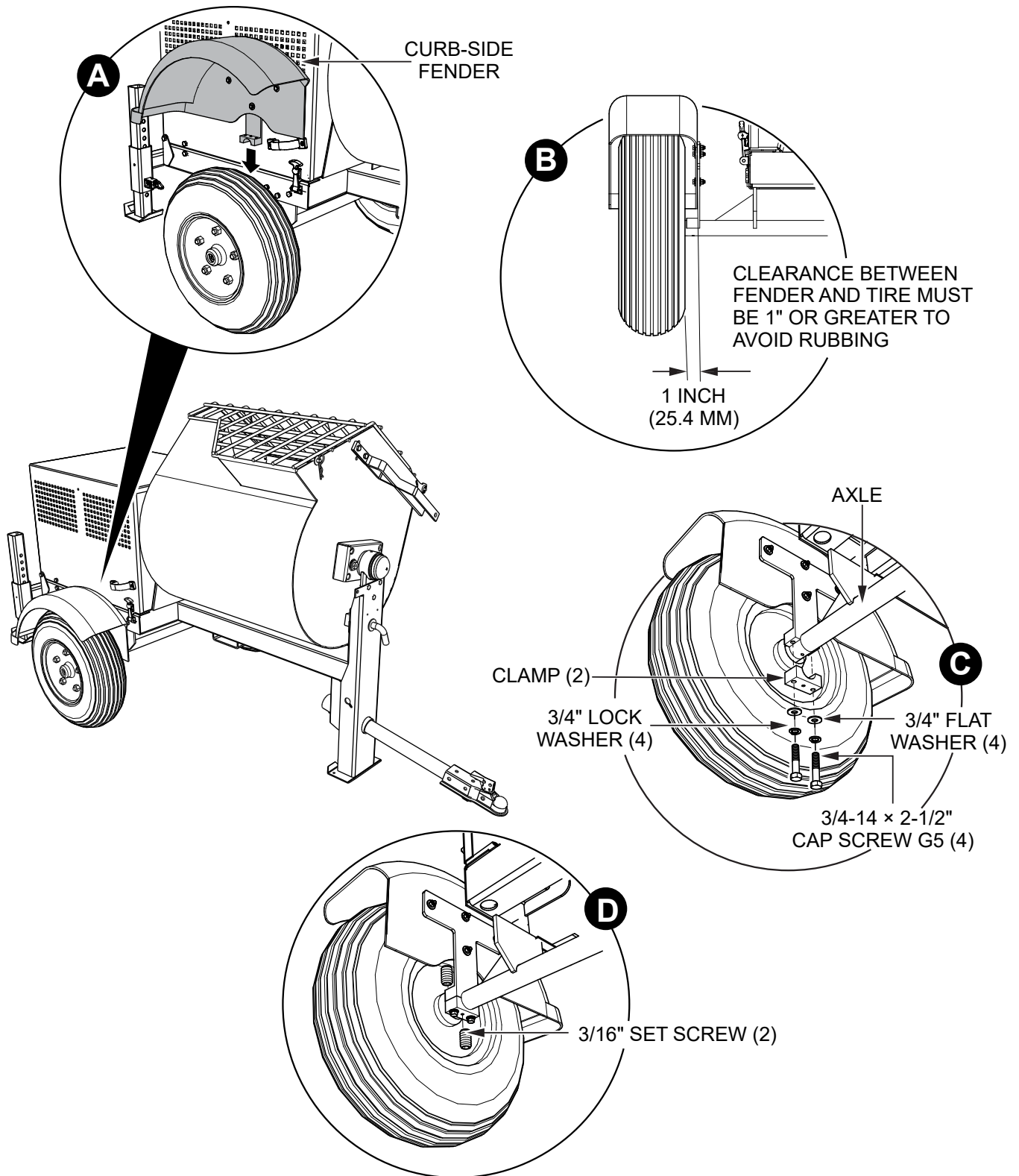


Figure 2. Fender Placement



# Towable Concrete, Plaster and Mortar Mixers

## Universal Fender Installation Instructions

---

## HERE'S HOW TO GET HELP

PLEASE HAVE THE MODEL AND SERIAL  
NUMBER ON-HAND WHEN CALLING

### UNITED STATES

#### *Multiquip Corporate Office*

18910 Wilmington Ave. Tel. (800) 421-1244  
Carson, CA 90746 Fax (310) 537-3927  
Contact: mq@multiquip.com

#### *Service Department*

(800) 421-1244  
(310) 537-3700

#### *Technical Assistance*

(800) 478-1244 Fax: (310) 943-2238

#### *MQ Parts Department*

(800) 427-1244 Fax: (800) 672-7877  
(310) 537-3700

#### *Warranty Department*

(800) 421-1244 Fax: (310) 943-2249  
(310) 537-3700

---

### CANADA

#### *Multiquip*

4110 Industriel Boul. Tel: (450) 625-2244  
Laval, Quebec, Canada H7L 6V3 Tel: (877) 963-4411  
Contact: infocanada@multiquip.com Fax: (450) 625-8664

---

### UNITED KINGDOM

#### *Multiquip (UK) Limited Head Office*

Unit 2, Northpoint Industrial Estate, Tel: 0161 339 2223  
Globe Lane, Fax: 0161 339 3226  
Dukinfield, Cheshire SK16 4UJ  
Contact: sales@multiquip.co.uk

© COPYRIGHT 2018, MULTIQUIP INC.

Multiquip Inc and the MQ logo are registered trademarks of Multiquip Inc. and may not be used, reproduced, or altered without written permission. All other trademarks are the property of their respective owners and used with permission.

The information and specifications included in this publication were in effect at the time of approval for printing. Illustrations, descriptions, references and technical data contained in this document are for guidance only and may not be considered as binding. Multiquip Inc. reserves the right to discontinue or change specifications, design or the information published in this publication at any time without notice and without incurring any obligations.

Your Local Dealer is:

