



Moonlight Lighting Systems

Assembly & Mounting Instructions

for MB1000(W)/MB400 with MBP

The following instructions are intended to assist the user in the assembly of the Moonlight Lighting System & Mounting with the MBP (pole). Please read the instructions before assembling.

1. Open the case that contains the different parts of the MB1000. Make sure you have all the items shown in Figure 1.

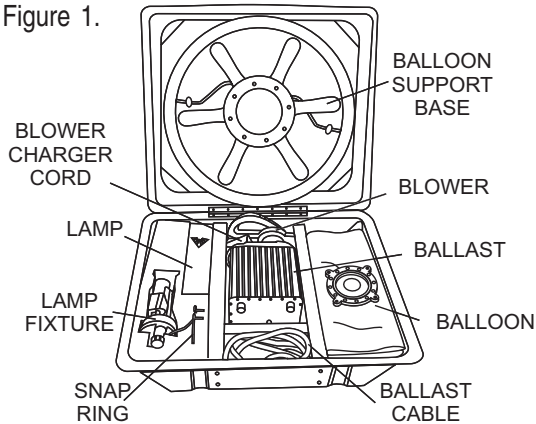


Figure 1. MB1000 Components

2. Assemble the Mounting Pole Model MBP (purchased separately) before assembling the MB1000. Insert the pole (Figure 2) into the base and secure by tightening the wing nut on the base.

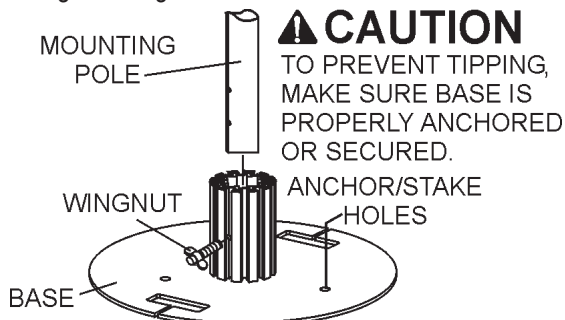


Figure 2. Mounting Pole Base

3. Insert the balloon support base metal rods (Figure 3) into the slots on the pole and tighten the knobs to secure them in place.

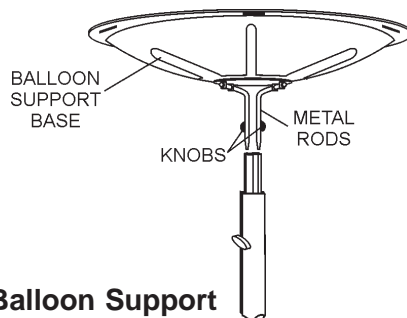


Figure 3. Balloon Support

4. Inflate the balloon using the supplied blower as shown in Figure 4.

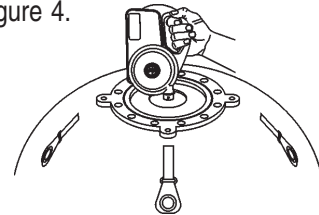


Figure 4. Inflating the Balloon

5. Screw the lamp into the lamp fixture as shown in Figure 5.

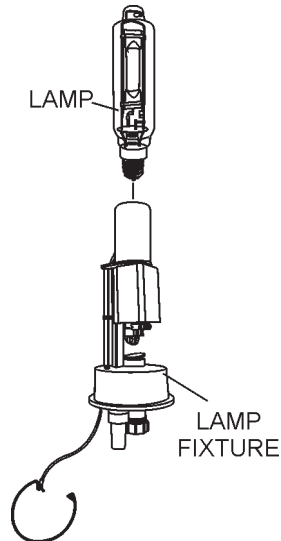


Figure 5. Inserting the Lamp

6. Install the lamp fixture into the balloon. Set the snap ring (Figure 6) into the o-ring groove to ensure a complete seal of the balloon.

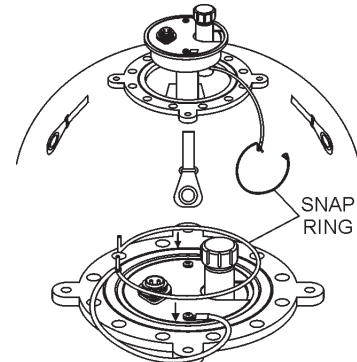


Figure 6. Installing the Lamp Fixture

- Slowly invert the balloon and place over the installed balloon support base (Figure 7), making sure lamp fixture is facing down and the Velcro straps are aligned with the holes on the balloon support base. Insert Velcro strips into the holes and fasten securely.

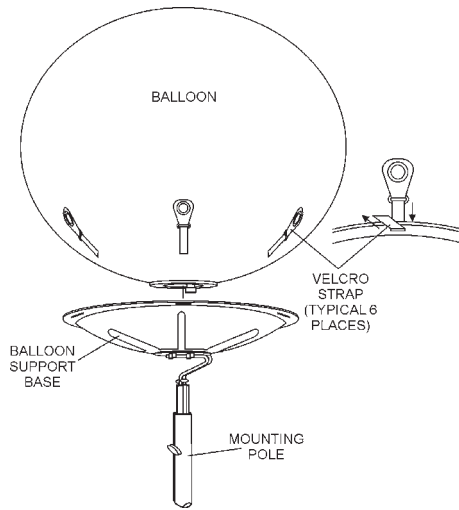


Figure 7. Attaching Balloon to Support Base

- The balloon may have lost some air after performing the previous steps. To add more air to the balloon, unscrew the cap (Figure 8) on the lamp fixture and use blower to inflate balloon until it is taut and the Velcro straps fit tight. Screw the cap back on and tighten.

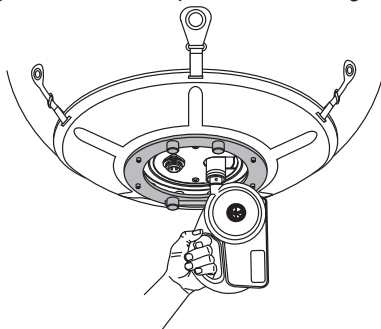


Figure 8. Adding Additional Air

- Insert the female end of the ballast cable (Figure 9) into the connector on the lamp fixture.

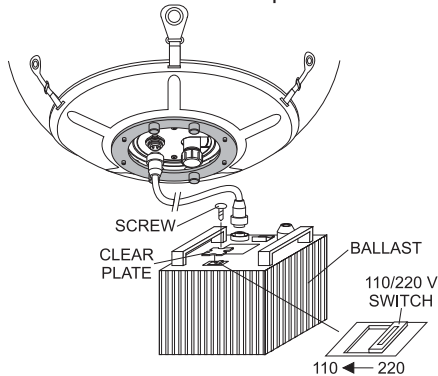


Figure 9. Connecting the Ballast Cable

© COPYRIGHT 2006, MULTIQUIP INC.

- Plug the power cable (Figure 10) from the ballast into a 110V/60 Hz power source. Next, turn the ON/OFF switch on the ballast to the ON position to turn on lamp. The lamp should flicker for a few minutes as the internal gases warm up. It should reach full power within 4 minutes.

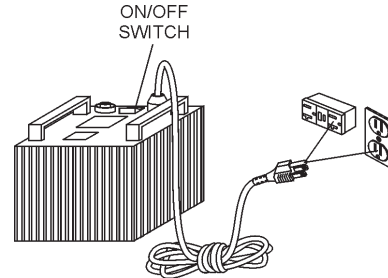


Figure 10. Applying Power

! DANGER - Electric Shock Hazards

ALWAYS keep electrical cords in good condition. Worn, bare or frayed wiring can cause electrical shock, thus causing **Bodily Harm or even Death.**

NEVER grab or touch a live power cord with wet hands, the possibility exists of **Electrical Shock, Electrocution, and even Death!**

- To adjust the height of the balloon, loosen the height adjustment knob (Figure 11) on the mounting pole and slowly, pull up the inner tube to the desired height. Tighten the height adjustment knob.

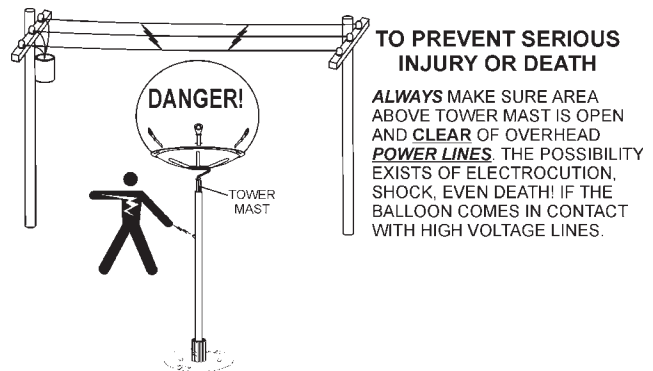


Figure 11. Height Adjustment Knob

- To disassemble unit, perform steps in reverse order. Allow the lamp to cool for 15 minutes before attempting to disassemble unit.



MULTIQUIP INC.

POST OFFICE BOX 6254 • CARSON, CA 90749
 310-537-3700 • 800-421-1244 • FAX: 310-537-3927
 E-MAIL: mq@multiquip.com • www.multiquip.com