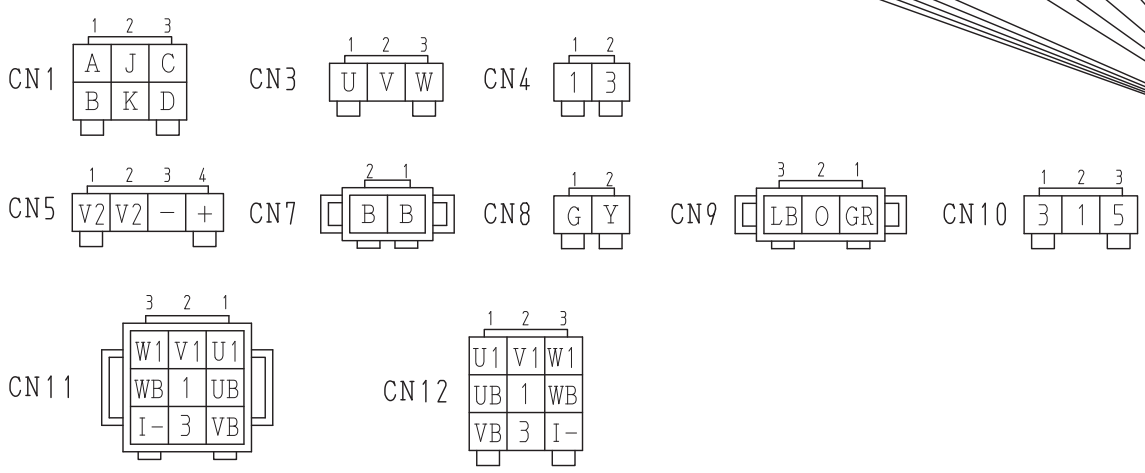


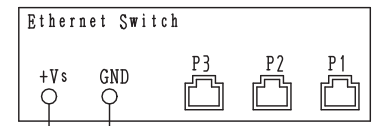
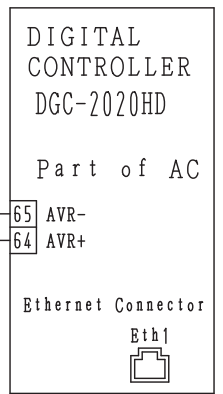
SYMBOL	DESIGNATION
Ar	MAIN GENERATOR ARMATURE WINDING
Fg	MAIN GENERATOR FIELD WINDING
ExAr	EXCITER ARMATURE WINDING
ExFg	EXCITER FIELD WINDING
Re	RECTIFIER
AVR	AUTOMATIC VOLTAGE REGULATOR
CT 1, 2, 3	CURRENT TRANSFORMER 500:5A
CB 1	CIRCUIT BREAKER (24V, AX3) MOTOR OPERATOR (MOE)
CB5, 6	CIRCUIT BREAKER 1P 20A
CON4, 5	RECEPTACLE 125V 20A x 2 (G. F. C. I.)
SW	SELECTOR SWITCH (12 Stages)
RY1	RELAY UNIT (24V)

Notice : There must be two cables passing through each CT 1, 2 and 3



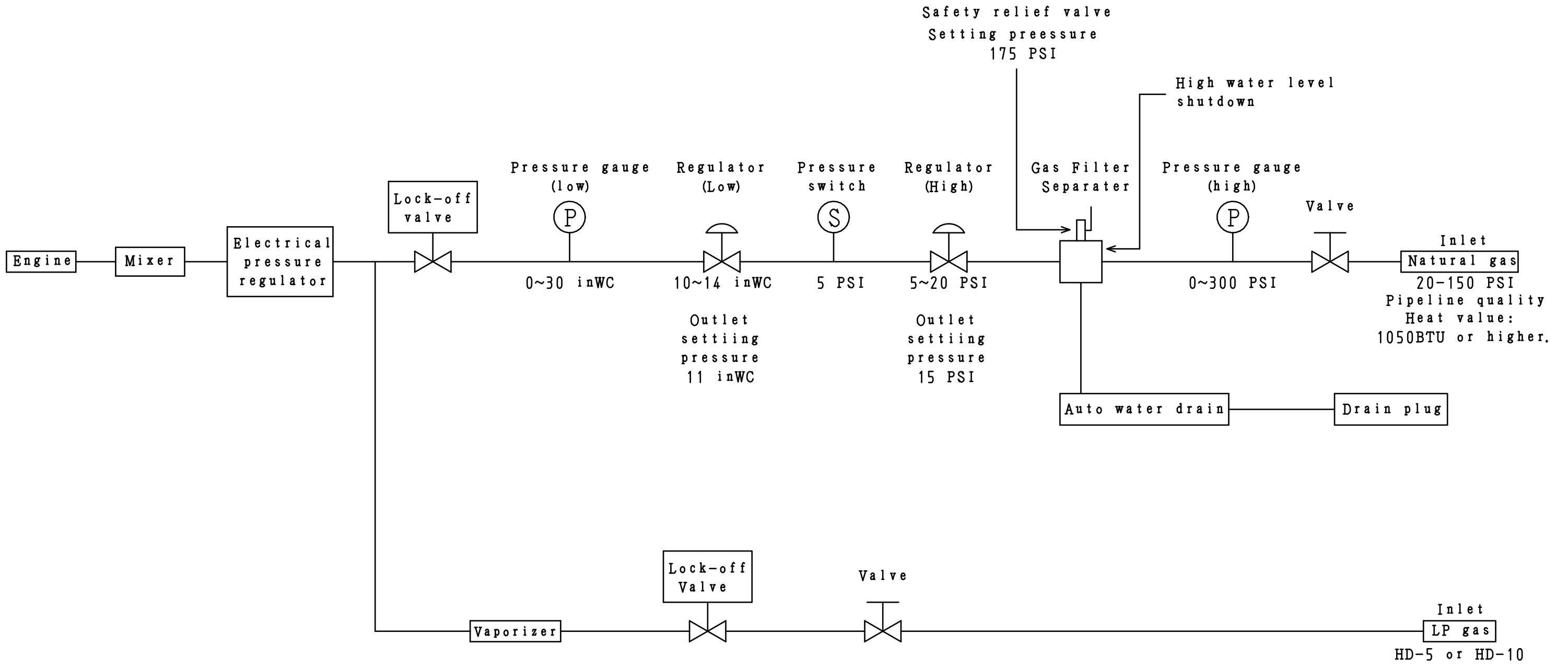
CONNECTER ARRANGEMENT (WIRING VIEW)

# NGA-150SSPUPL GENERATOR WIRING DIAGRAM



TO Eng. Wiring Diagram T.B. \*ACP\*

Rear Splasher Panel



# NGA-150SSPUPL PLUMBING SYSTEM