

# PARTS MANUAL



**MODEL**  
**NGA150SSPUPL**  
**PORTABLE NATURAL**  
**GAS GENERATOR**  
**(PSI HD 8.1LT NATURAL GAS ENGINE)**

**PARTS LIST NO. M3871300304C**

Revision #0 (07/24/23)

To find the latest revision of this publication or associated operation manual, visit our website at: [www.multiquip.com](http://www.multiquip.com)



**THIS MANUAL MUST ACCOMPANY THE EQUIPMENT AT ALL TIMES.**

**NGA150SSPUPL  
Natural Gas Generator**

Explanation Of Code In Remarks Column..... 4  
Suggested Spare Parts ..... 5

**Component Drawings**

Generator Assembly ..... 6–7  
Control Panel Assembly ..... 8–9  
Control Box Assembly ..... 10–13  
Engine And Radiator Assembly ..... 14–17  
Output Terminal Assembly ..... 18–19  
Battery Assembly ..... 20–21  
Muffler Assembly ..... 22–23  
Gas Fuel Assembly ..... 24–25  
Enclosure 1 Assembly ..... 26–29  
Enclosure 2 Assembly ..... 30–33  
Rubber Seals Assembly ..... 34–35  
Nameplate And Decals Assembly ..... 36–39  
LPG Assembly ..... 40–41

**NOTICE**  
Specifications and part numbers are subject to change without notice.



# EXPLANATION OF CODE IN REMARKS COLUMN

The following section explains the different symbols and remarks used in the Parts section of this manual. Use the help numbers found on the back page of the manual if there are any questions.

## NOTICE

The contents and part numbers listed in the parts section are subject to change without notice. Multiquip does not guarantee the availability of the parts listed.

## SAMPLE PARTS LIST

NO.	PART NO.	PART NAME
QTY.		REMARKS
1	12345	BOLT .....1 .....INCLUDES ITEMS W/%
2%		WASHER, 1/4 IN. ....NOT SOLD SEPARATELY
2%	12347	WASHER, 3/8 IN. ...1 .....MQ-45T ONLY
3	12348	HOSE .....A/R ...MAKE LOCALLY
4	12349	BEARING .....1 .....S/N 2345B AND ABOVE

## NO. Column

**Unique Symbols** — All items with same unique symbol (@, #, +, %, or >) in the number column belong to the same assembly or kit, which is indicated by a note in the “Remarks” column.

**Duplicate Item Numbers** — Duplicate numbers indicate multiple part numbers, which are in effect for the same general item, such as different size saw blade guards in use or a part that has been updated on newer versions of the same machine.

## NOTICE

When ordering a part that has more than one item number listed, check the remarks column for help in determining the proper part to order.

## PART NO. Column

**Numbers Used** — Part numbers can be indicated by a number, a blank entry, or TBD.

TBD (To Be Determined) is generally used to show a part that has not been assigned a formal part number at the time of publication.

A blank entry generally indicates that the item is not sold separately or is not sold by Multiquip. Other entries will be clarified in the “Remarks” Column.

## QTY. Column

**Numbers Used** — Item quantity can be indicated by a number, a blank entry, or A/R.

A/R (As Required) is generally used for hoses or other parts that are sold in bulk and cut to length.

A blank entry generally indicates that the item is not sold separately. Other entries will be clarified in the “Remarks” Column.

## REMARKS Column

Some of the most common notes found in the “Remarks” Column are listed below. Other additional notes needed to describe the item can also be shown.

**Assembly/Kit** — All items on the parts list with the same unique symbol will be included when this item is purchased.

Indicated by:

“INCLUDES ITEMS W/(unique symbol)”

**Serial Number Break** — Used to list an effective serial number range where a particular part is used.

Indicated by:

“S/N XXXXX AND BELOW”

“S/N XXXX AND ABOVE”

“S/N XXXX TO S/N XXX”

**Specific Model Number Use** — Indicates that the part is used only with the specific model number or model number variant listed. It can also be used to show a part is NOT used on a specific model or model number variant.

Indicated by:

“XXXXX ONLY”

“NOT USED ON XXXX”

**“Make/Obtain Locally”** — Indicates that the part can be purchased at any hardware shop or made out of available items. Examples include battery cables, shims, and certain washers and nuts.

**“Not Sold Separately”** — Indicates that an item cannot be purchased as a separate item and is either part of an assembly/kit that can be purchased, or is not available for sale through Multiquip.

## SUGGESTED SPARE PARTS

---

### NGA150SSPUPL NATURAL GAS GENERATOR WITH PSI HD 8.1LT NATURAL GAS ENGINE

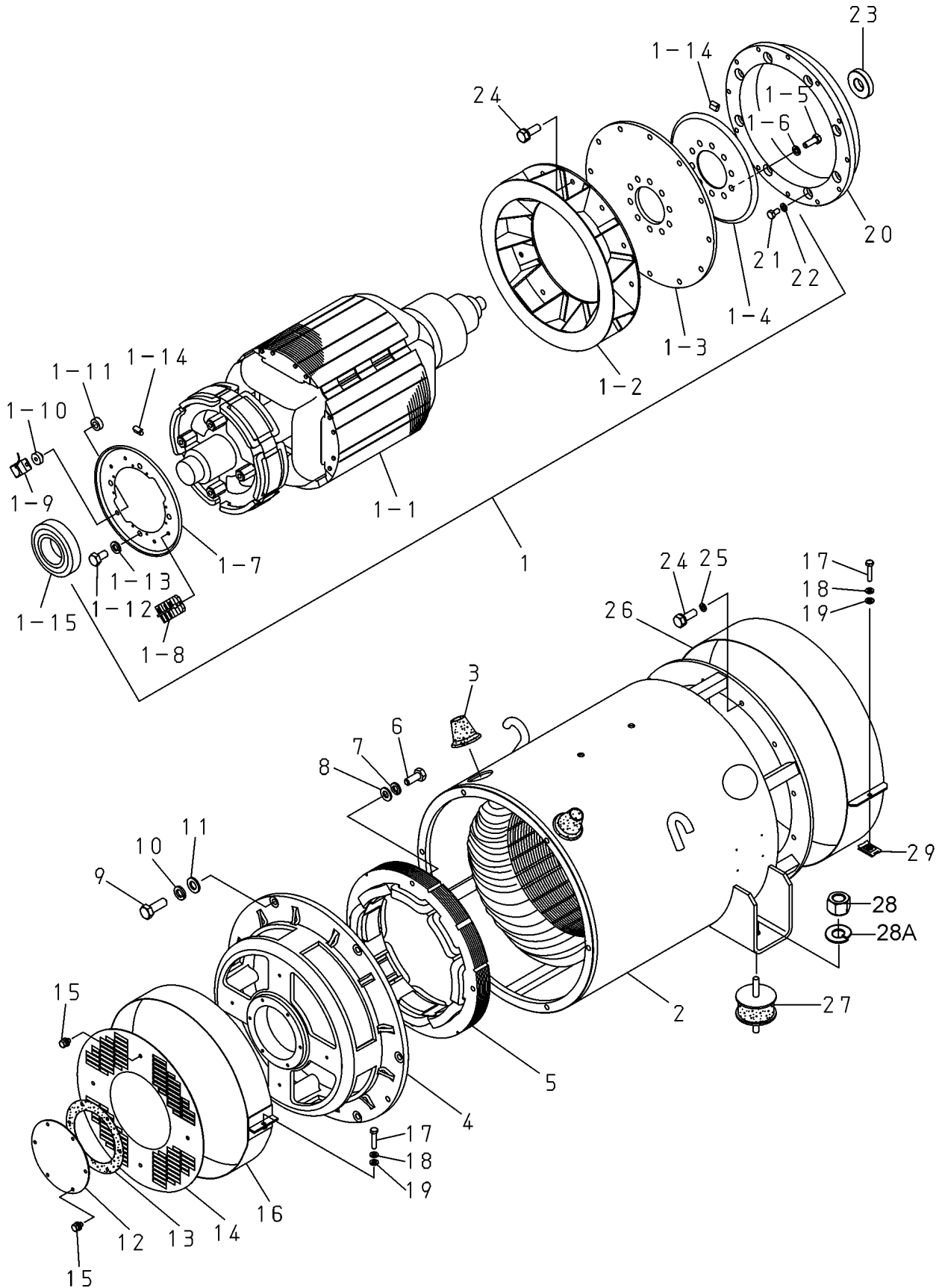
1 to 3 units

Qty.	P/N	Description
6.....	06020410601 .....	OIL FILTER
3.....	106457 .....	BLOW-BY FILTER
3.....	0602046680.....	ELEMENT, PRIMARY
3.....	0602046686.....	ELEMENT, SAFETY
3.....	Y0602015206 .....	FAN BELT
3.....	0601802149.....	FUSE, 10A
1.....	0601806683.....	FUSE, 250V 8A
2.....	0601810877.....	BULB, DC28V
2.....	0601870440.....	CIRCUIT BREAKER, 1P 20A
1.....	Y0603200390 .....	GAS FILTER SEPARATOR ASSY.

#### NOTICE

Part numbers on this Suggested Spare Parts list may supersede/replace the part numbers shown in the following parts lists.

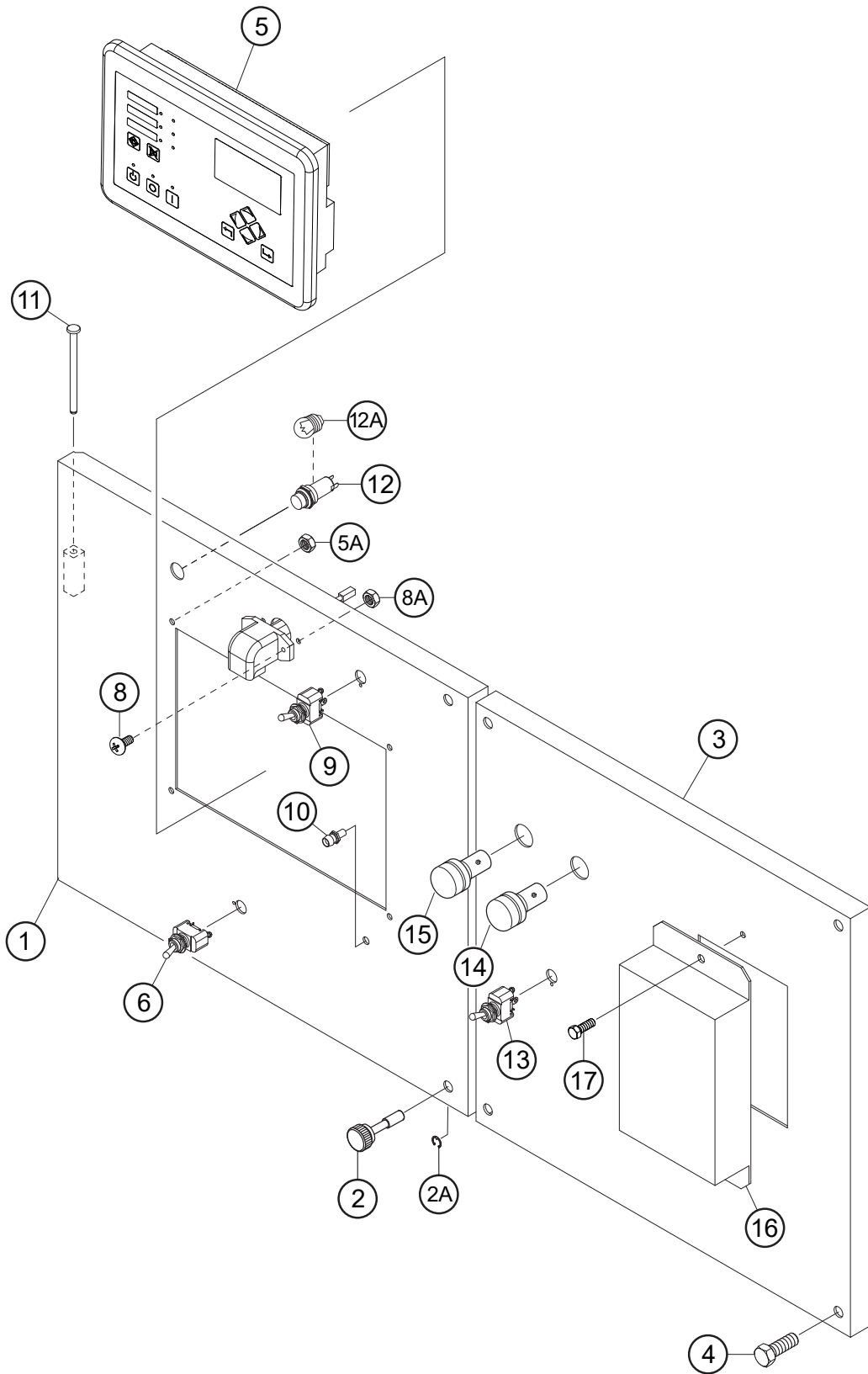
# GENERATOR ASSY.



## GENERATOR ASSY.

<u>NO.</u>	<u>PART NO.</u>	<u>PART NAME</u>	<u>QTY.</u>	<u>REMARKS</u>
1	C0110101302	ROTOR ASSY.....	1.....	INCLUDES ITEMS W/\$
1-1\$		FIELD ASSY.	1	
1-2\$	8131070013	FAN	1	
1-3\$	8131611014	COUPLING DISK	8	
1-4\$	8131015003	BALANCING PLATE.....	1.....	PURCHASE ITEM 1-14 AT THE SAME TIME.
1-5\$	012210035	HEX. HEAD BOLT.....	12.....	REPLACES P/N 0010310035
1-6\$	0040010000	WASHER, LOCK	12	
1-7\$	8101026013	SET PLATE RECTIFIER.....	1.....	PURCHASE ITEM 1-14 AT THE SAME TIME.
1-8\$	0601821349	RECTIFIER	2	
1-9\$	Y0601822624	SURGE ABSORBER	1	
1-10\$	8001020004	INSULATOR WASHER	1	
1-11\$	8001020504	INSULATOR WASHER	1	
1-12\$	012210020	HEX. HEAD BOLT.....	4.....	REPLACES P/N 0010110020
1-13\$	0040010000	WASHER, LOCK	4	
1-14\$	0601000209	BALANCING WEIGHT KIT	1	
1-15	0071906312	BEARING	1	
2	C0130102603	STATOR ASSY.	1	
3	0845041804	GROMMET	2	
4	8131315202	END BRACKET	1	
5	8101350013	FIELD ASSY., EXCITER	1	
6	Y0012610060	HEX. HEAD BOLT	4	
7	0042610000	WASHER, LOCK	4	
8	031110160	WASHER, FLAT.....	4.....	REPLACES P/N 0041210000
9	0010112035	HEX. HEAD BOLT	6	
10	0040012000	WASHER, LOCK	6	
11	031112230	WASHER, FLAT.....	6.....	REPLACES P/N 0041212000
12	8131310104	COVER, BEARING	1	
13	8131312204	GASKET, BEARING	1	
14	8131331003	COVER, END BRACKET	1	
15	0105050616	HEX. HEAD BOLT.....	10.....	REPLACES P/N 0017106012
16	8101333003	COVER, END BRACKET	1	
17	0010006030	HEX. HEAD BOLT.....	2.....	REPLACES P/N 0010106030
18	0040006000	WASHER, LOCK	2	
19	952404470	WASHER, FLAT.....	2.....	REPLACES P/N 0041206000
20	M3164400003	COUPLING RING	1	
21\$	Y0010310070	HEX. HEAD BOLT	8	
22\$	0040010000	WASHER, LOCK	8	
23	M3164700104	SPACER	1	
24\$	0105091025	HEX. HEAD BOLT.....	12.....	REPLACES P/N 0010310025
25	0040010000	WASHER, LOCK	12	
26	C0131300004	COVER, FAN	1	
27	Y0605000463	RUBBER SUSPENSION	2	
28	0030016000	HEX. NUT	4	
28A	0040016000	WASHER, LOCK	4	
29	020106050	NUT.....	1.....	REPLACES P/N 0600815000

# CONTROL PANEL ASSY.

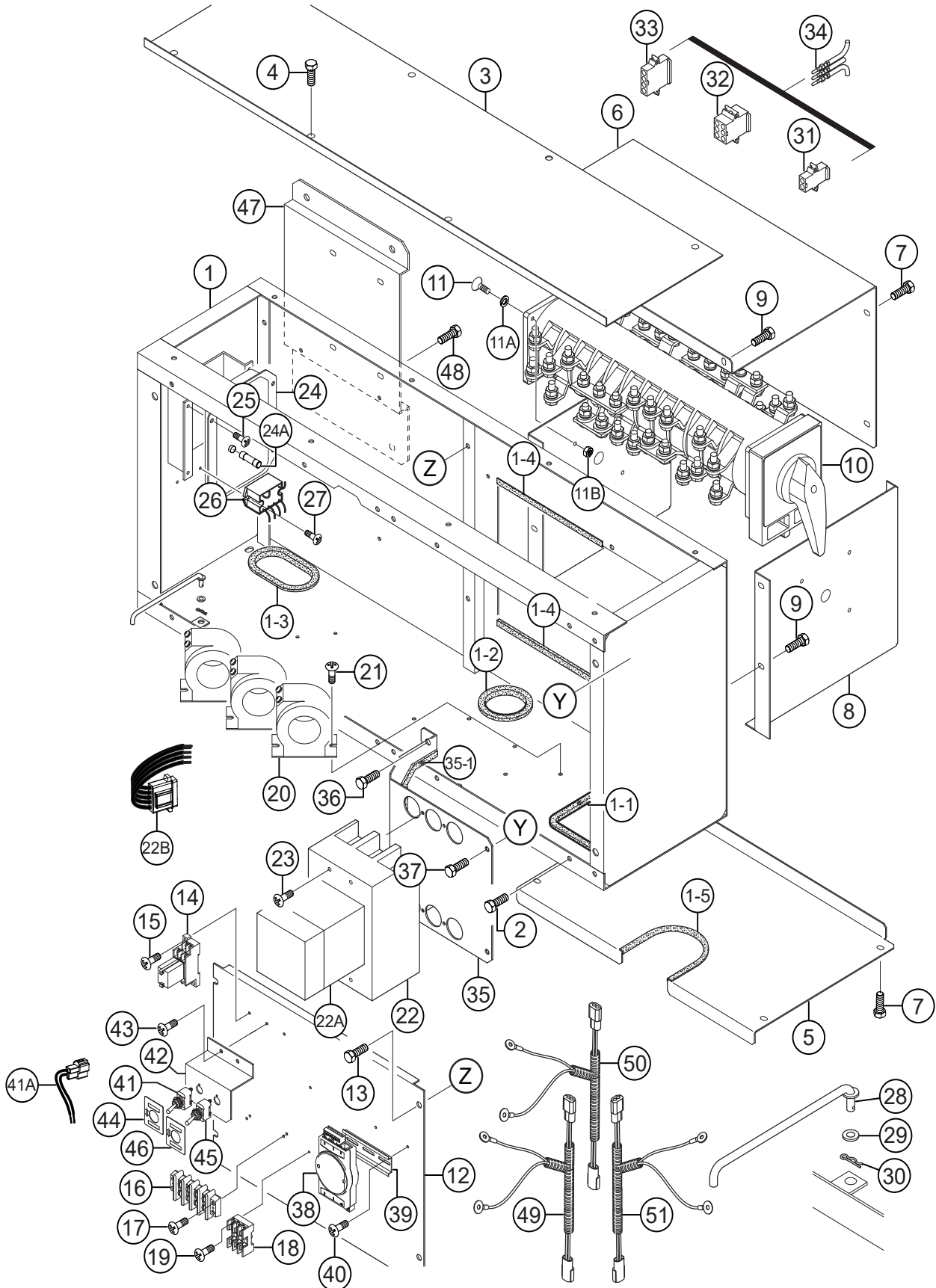




## CONTROL PANEL ASSY.

<u>NO.</u>	<u>PART NO.</u>	<u>PART NAME</u>	<u>QTY.</u>	<u>REMARKS</u>
1	M3224000103	CONTROL PANEL	1	
2	M9220100004	SET SCREW	2	
2A	0080200007	SNAP RING	2	
3	M3223001804	CONTROL PANEL .....	1	S/N 9300061 AND BELOW
3	M3223001814	CONTROL PANEL .....	1	S/N 9300062 AND ABOVE
4	0017108040	HEX. HEAD BOLT	4	
5	Y0602120632	CONTROLLER, DCG-2020HD .....	1	S/N 9300081 AND BELOW
5	EE59259	CONTROLLER, DCG-2020HD .....	1	INCLUDES ITEMS W/# REPLACES P/N Y0602120633 S/N 9300082 AND ABOVE
5A#	Y0602017080	HEX. NUT, #10-24UNC	4	
6	0601830710	CONTROLLER, SWITCH	1	
7	0601810171	PANEL LIGHT, 24V	1	
8	0027104020	MACHINE SCREW	2	
8A	OEMAA8	HEX. NUT .....	2	REPLACES P/N 0207004000
9	0601830710	PANEL LIGHT, SWITCH	1	
10	Y0602103020	MALFUNCTION LAMP	1	
11	505015300	PIN .....	2	REPLACES P/N 0605010502
12	0602103090	ALARM LAMP, 28V RED .....	1	INCLUDES ITEMS W/%
12A%	0601810877	BULB, DC28V	1	
13	0601830746	CIRCUIT BREAKER	1	
14	Y0601814455	INDICATOR LAMP, RED	1	
15	Y0601814456	INDICATOR LAMP, GREEN	1	
16	M3224200104	COVER, CIRCUIT BREAKER .....	1	S/N 9300061 AND BELOW
16	M3224200114	COVER, CIRCUIT BREAKER .....	1	S/N 9300062 AND ABOVE
17	0019206015	HEX. HEAD BOLT	2	

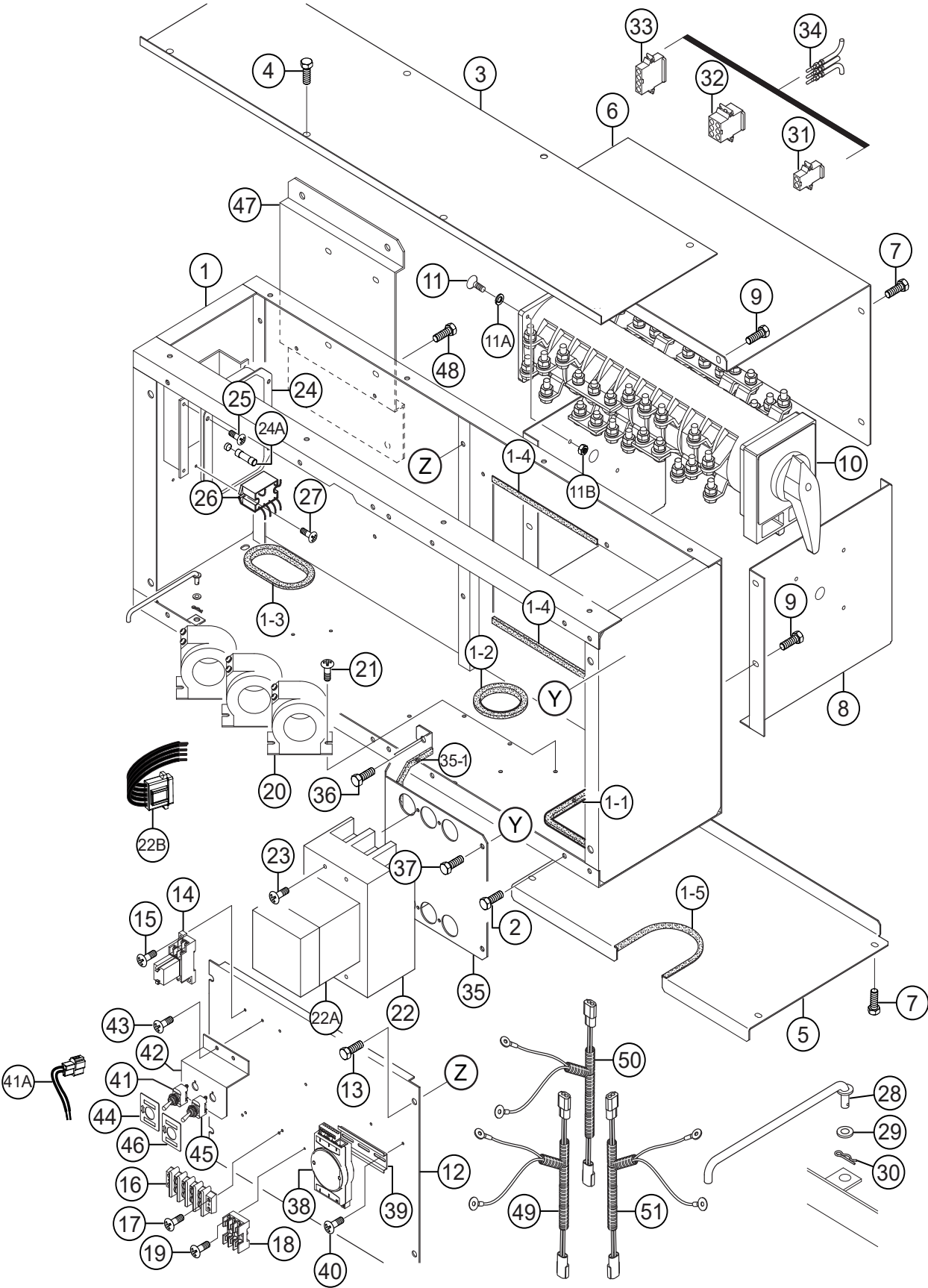
# CONTROL BOX ASSY.



## CONTROL BOX ASSY.

<u>NO.</u>	<u>PART NO.</u>	<u>PART NAME</u>	<u>QTY.</u>	<u>REMARKS</u>
1	M3214000702	CONTROL BOX	1	
1-1	Y0411100580	EDGE, TRIM	1	
1-2	Y0411100210	EDGE, TRIM	1	
1-3	Y0411100285	EDGE, TRIM	1	
1-4	Y0411100230	EDGE, TRIM	2	
2	011008020	HEX. HEAD BOLT.....	13	REPLACES P/N 0016908020
3	M4213500104	CONTROL UP PANEL	1	
4	011008020	HEX. HEAD BOLT.....	8	REPLACES P/N 0016908020
5	M3213603104	SWITCH, COVER	1	
5-1	Y0317700265	WEATHER STRIP	1	
6	M3274000004	SWITCH, COVER	1	
7	0016906015	HEX. HEAD BOLT	8	
8	M3213602904	SWITCH, BRACKET	2	
9	0016906015	HEX. HEAD BOLT	6	
10	M3270100304	SELECTOR, SWITCH	1	
11	0021005020	MACHINE SCREW	4	
11A	0032005000	WASHER, LOCK.....	4	REPLACES P/N 0040005000
11B	0030005000	HEX. NUT .....	4	REPLACES P/N 0207005000
12	M3260500803	SET PANEL	1	
13	011008020	HEX. HEAD BOLT.....	4	REPLACES P/N 0016908020
14	LY2DUS24VDC	RELAY, DC24V .....	1	REPLACES P/N 0601827655
14A	PTF08A	RELAY, BASE .....	1	REPLACES P/N 0601823109
14B	PYCA1	RELAY, CLIP .....	2	REPLACES P/N 0601824400
15	0027104020	MACHINE SCREW	2	
16	Y0601816538	TERMINAL BLOCK.....	1	REPLACES P/N 0601815153
17	0027104020	MACHINE SCREW	2	
18	0601802218	HOLDER, FUSE, 3P	1	
18A	0601802149	FUSE, 10A .....	2	S/N 9300081 AND BELOW
18A	0601802149	FUSE, 10A.....	1	S/N 9300082 AND ABOVE
19	Y0027203020	MACHINE SCREW	2	
20	0601809659	CURRENT, TRANSFORMER	3	
21	011808015	MACHINE SCREW .....	6	REPLACES P/N 0027106015
22	Y0601807529	CIRCUIT BREAKER .....	1	S/N 9300061 AND BELOW
22	Y0601808829	CIRCUIT BREAKER .....	1	INCLUDES ITEMS W/# S/N 9300062 AND ABOVE
22A	Y0601807530	MOTOR OPERATOR.....	1	S/N 9300061 AND BELOW
22A#	Y0601808835	MOTOR OPERATOR.....	1	S/N 9300062 AND ABOVE
22B	M3247701903	CIRCUIT BREAKER CONTROL HARNESS .....	1	S/N 9300062 AND ABOVE
23	0021006080	MACHINE SCREW	4	
24	0601820608	AUTOMATIC VOLTAGE REGULATOR.....	1	INCLUDES ITEMS W/%
24A%	0601806683	FUSE, 250V 8A	1	
25	0027105015	MACHINE SCREW	4	
26	0601823860	RELAY UNIT, 24V	1	
27	0027104015	MACHINE SCREW	2	
28	M4213600104	STOPPER, CONTROL PANEL	1	

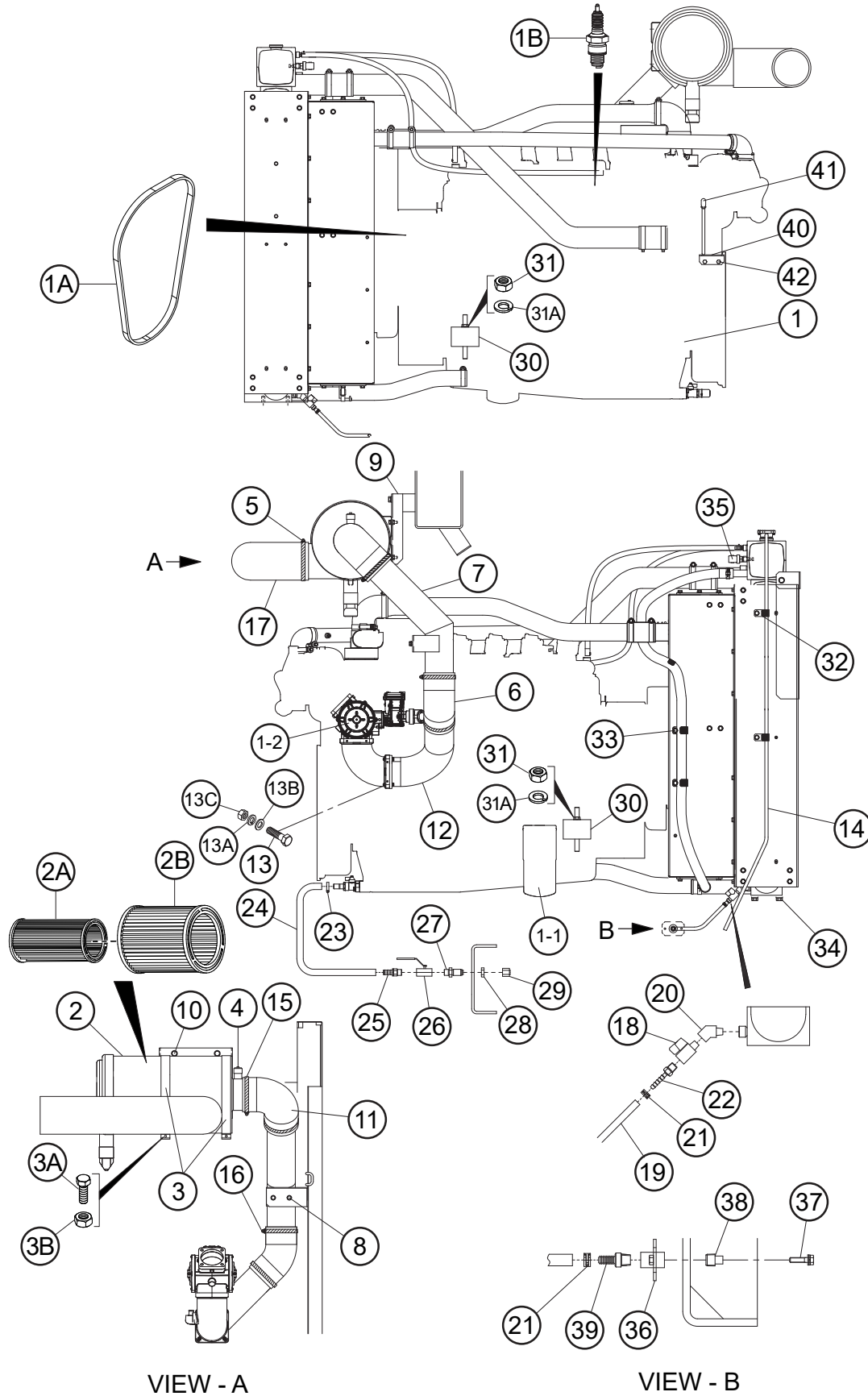
# CONTROL BOX ASSY. (CONT'D.)



## CONTROL BOX ASSY. (CONT'D.)

<u>NO.</u>	<u>PART NO.</u>	<u>PART NAME</u>	<u>QTY.</u>	<u>REMARKS</u>
29	952404470	WASHER, FLAT .....	1.....	REPLACES P/N 0041206000
30	505015300	SNAP PIN .....	1.....	REPLACES P/N 0605010502
31	0601812626	PLUG .....	1.....	S/N 9300061 AND BELOW
32	Y0601812633	PLUG .....	1.....	S/N 9300061 AND BELOW
33	Y0601812632	PLUG .....	1.....	S/N 9300061 AND BELOW
34	0601812712	PINS (MALE) .....	12.....	S/N 9300061 AND BELOW
35	M3214600804	BRACKET, CIRCUIT BREAKER.....	1.....	S/N 9300061 AND BELOW
35	M3214600814	BRACKET, CIRCUIT BREAKER.....	1.....	S/N 9300062 AND ABOVE
35-1	Y0411100350	EDGE TRIM	1	
36	011008020	HEX. HEAD BOLT.....	2.....	REPLACES P/N 0016908020
37	0016906015	HEX. HEAD BOLT	2	
38	0601816302	ETHERNET, SWITCH (HUB)	1	
39	Y0290000100	MOUNTING RAIL	1	
40	0027104015	MACHINE SCREW	2	
41	0601830710	TOGGLE SWITCH.....	1.....	S/N 9300042 AND ABOVE
41A	M3241200004	WIRE HARNESS, VOLT. SELECT SWITCH .....	1.....	S/N 9300042 ~ 9300061
42	M3261600304	BRACKET, VOLTAGE SELECT SWITCH.....	1.....	S/N 9300042 AND ABOVE
43	0027104015	MACHINE SCREW.....	2.....	S/N 9300042 AND ABOVE
44	M3551001704	DECAL; VOLTAGE SELECT SWITCH .....	1.....	S/N 9300042 AND ABOVE M35100170
45	0601830765	TOGGLE SWITCH.....	1.....	S/N 9300062 AND ABOVE
46	M9541000004	DECAL; FUEL SELECT SWITCH.....	1.....	S/N 9300062 AND ABOVE M94100000
47	M3324400104	BRACKET, OIL TANK .....	1.....	S/N 9300082 AND ABOVE
48	0016906015	HEX HEAD BOLT.....	4.....	S/N 9300082 AND ABOVE
49	M3247700704	WIRE HARNESS, GENERATOR.....	1.....	S/N 9300061 AND BELOW
49	M3247700714	WIRE HARNESS, GENERATOR.....	1.....	S/N 9300062 AND ABOVE
50	M3358201303	WIRE HARNESS, ENGINE .....	1.....	S/N 9300081 AND BELOW
50	M3358201313	WIRE HARNESS, ENGINE .....	1.....	S/N 9300082 AND ABOVE
51	M3358200703	WIRE HARNESS, ENGINE	1	

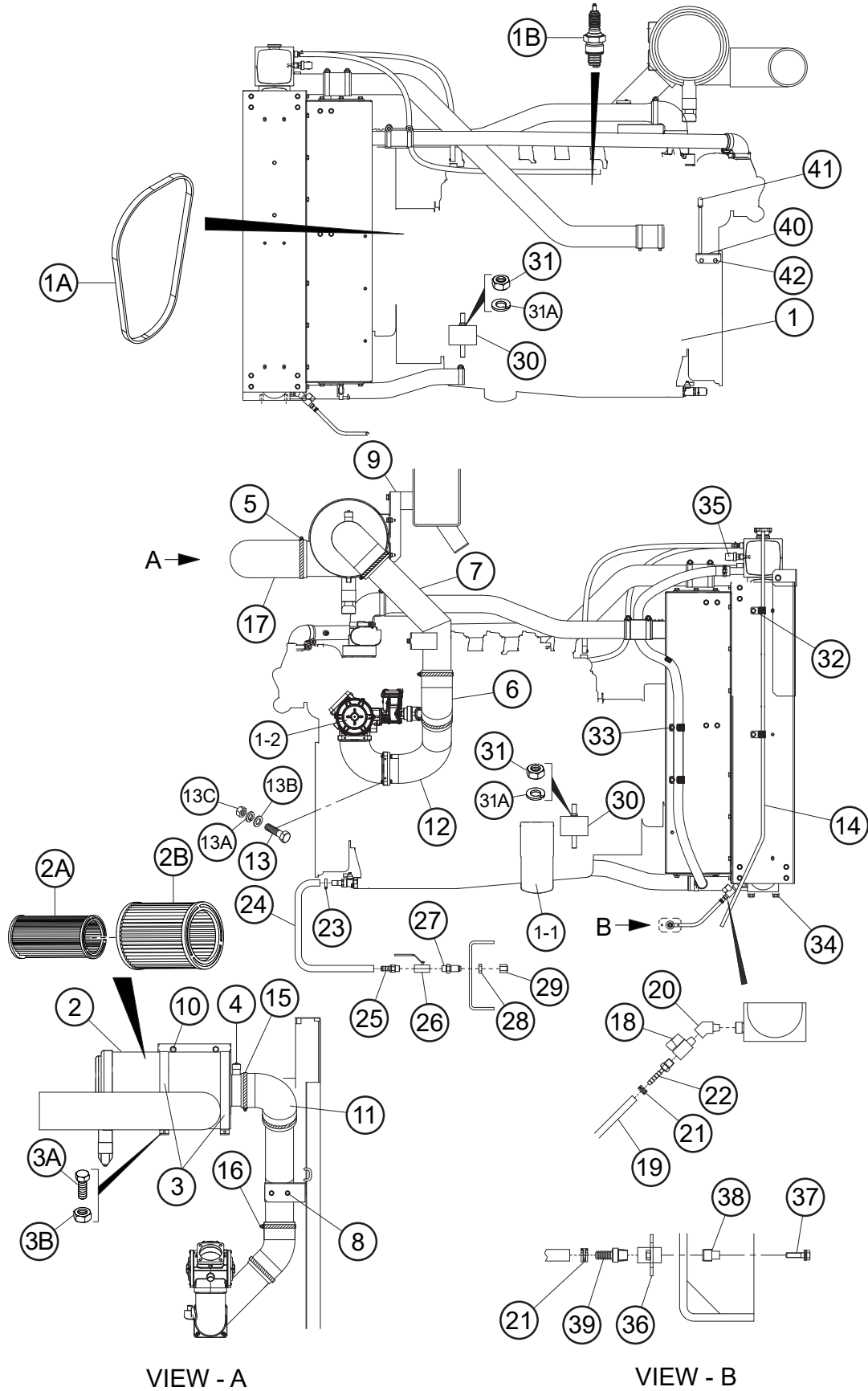
# ENGINE AND RADIATOR ASSY.



## ENGINE AND RADIATOR ASSY.

<u>NO.</u>	<u>PART NO.</u>	<u>PART NAME</u>	<u>QTY.</u>	<u>REMARKS</u>
1	M3924200184	ENGINE, NGA, PSI HD 8.1 LT	1	
1A	Y0602015206	FAN BELT	2	
1B	Y0602031340	SPARK PLUG	6	
1-1	06020410601	OIL FILTER .....	1	REPLACES P/N 0602041060
1-2	106457	BLOW-BY FILTER .....	1	REPLACES P/N Y0602044240
2	0602046583	AIR CLEANER .....	1	INCLUDES ITEMS W/#
2A#	0602046686	ELEMENT, SAFETY	1	
2B#	0602046680	ELEMENT, PRIMARY	1	
3	0602004555	AIR CLEANER BAND	2	
3A	011208025	HEX. HEAD BOLT.....	4	REPLACES P/N 0016908025
3B	020108060	SELF LOCK NUT .....	4	REPLACES P/N 0207008000
4	0602040650	AIR CLEANER INDICATOR	1	
5	0605515202	HOSE BAND	1	
6	Y0603307521	45° ELBOW	1	
7	M3374000303	AIR CLEANER PIPE	1	
8	011208025	HEX. HEAD BOLT.....	2	REPLACES P/N 0016908025
9	M3374200104	AIR CLEANER BRACKET	1	
10	0016910025	HEX. HEAD BOLT	2	
11	M3374100103	AIR CLEANER HOSE	1	
12	M3374000203	AIR CLEANER ELBOW	1	
13	Y0013606040	HEX. HEAD BOLT	4	
13A	0040006000	WASHER, LOCK	4	
13B	952404470	WASHER, FLAT .....	4	REPLACES P/N 0041206000
13C	Y0207006000	SELF-LOCKING NUT	4	
14	Y0193602200	OVER FLOW HOSE	1	
15	Y0605515231	HOSE BAND	1	
16	0605515197	HOSE BAND	3	
17	M3374100603	AIR CLEANER HOSE, INLET	1	
18	Y0605511394	MINI BALL VALVE, 1/4" NPT	1	
19	0193600300	DRAIN HOSE	1	
20	Y0603307520	45° ELBOW	1	
21	0605515189	HOSE BAND	2	
22	Y0605512192	HOSE JOINT	1	
23	0605515073	HOSE BAND	1	
24	Y0269201100	PUSH-LOCK HOSE	1	
25	0603306395	MALE PIPE	1	

# ENGINE AND RADIATOR ASSY. (CONT'D.)

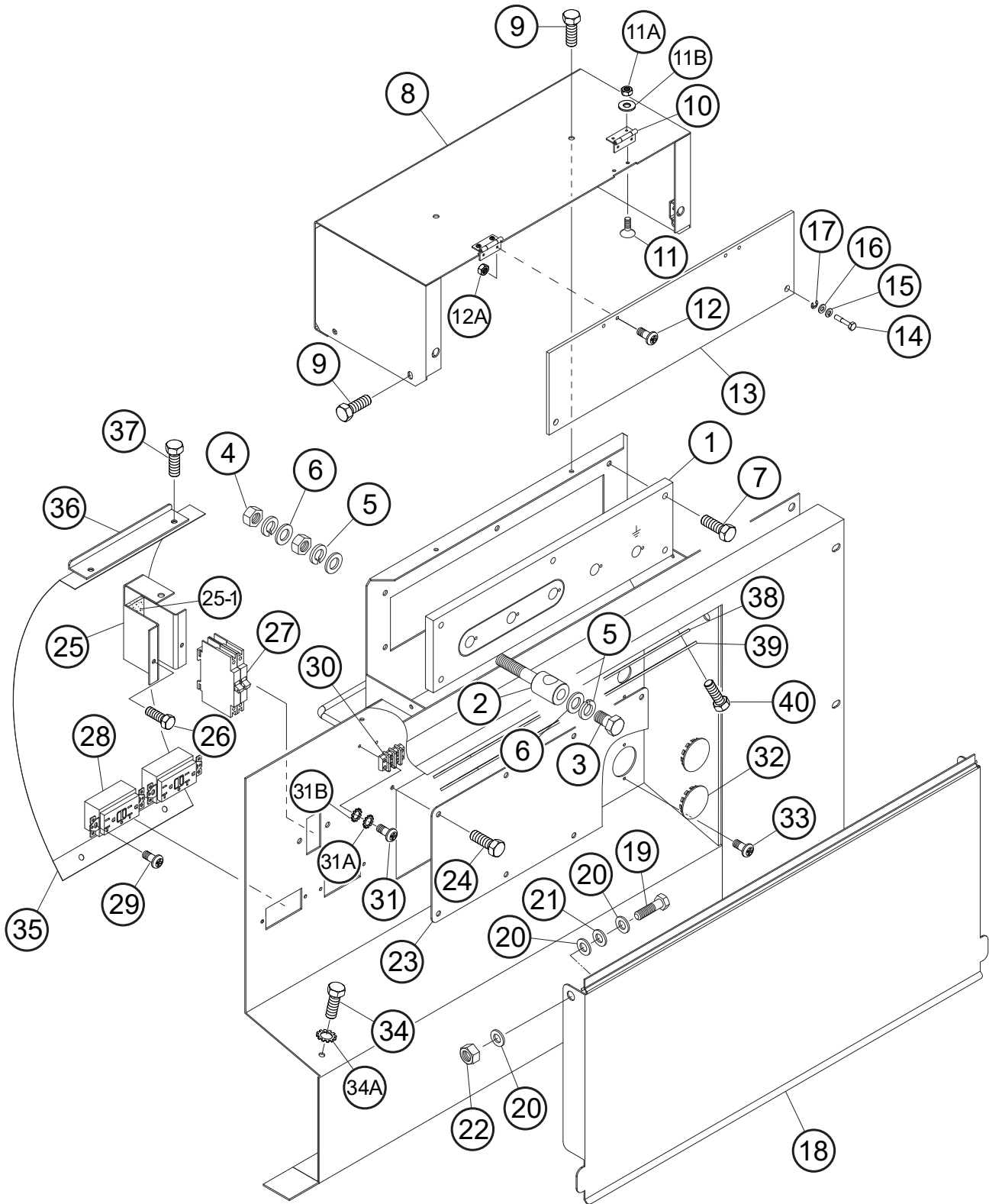




## ENGINE AND RADIATOR ASSY. (CONT'D.)

<u>NO.</u>	<u>PART NO.</u>	<u>PART NAME</u>	<u>QTY.</u>	<u>REMARKS</u>
26	0605511395	BALL VALVE	1	
27	0603306590	MALE BULKHEAD CONNECTOR	1	
28	0603300285	BULKHEAD LOCKNUT	1	
29	0602021070	CAP, OIL DRAIN	1	
30	Y0605000464	RUBBER SUSPENSION	2	
31	0030016000	HEX. NUT	4	
31A	0040016000	WASHER, LOCK	4	
32	0602220911	CLAMP (L)	5	
33	011008020	HEX. HEAD BOLT.....	5.....	REPLACES P/N 0016908020
34	Y0016912025	HEX. HEAD BOLT	4	
35	EE59014	COOLANT LEVEL SWITCH .....	1.....	REPLACES P/N 813NLU0000T
36	M3311600404	BRACKET, RADIATOR DRAIN	1	
37	011606025	HEX. HEAD BOLT.....	2.....	REPLACES P/N 0016906025
38	Y0603306758	PLUG	1	
39	Y0605512189	HOSE JOINT	1	
40	M3358300004	HARNESS CLAMPER	1	
41	Y0605000180	CAP	1	
42	0016910025	HEX HEAD BOLT	2	

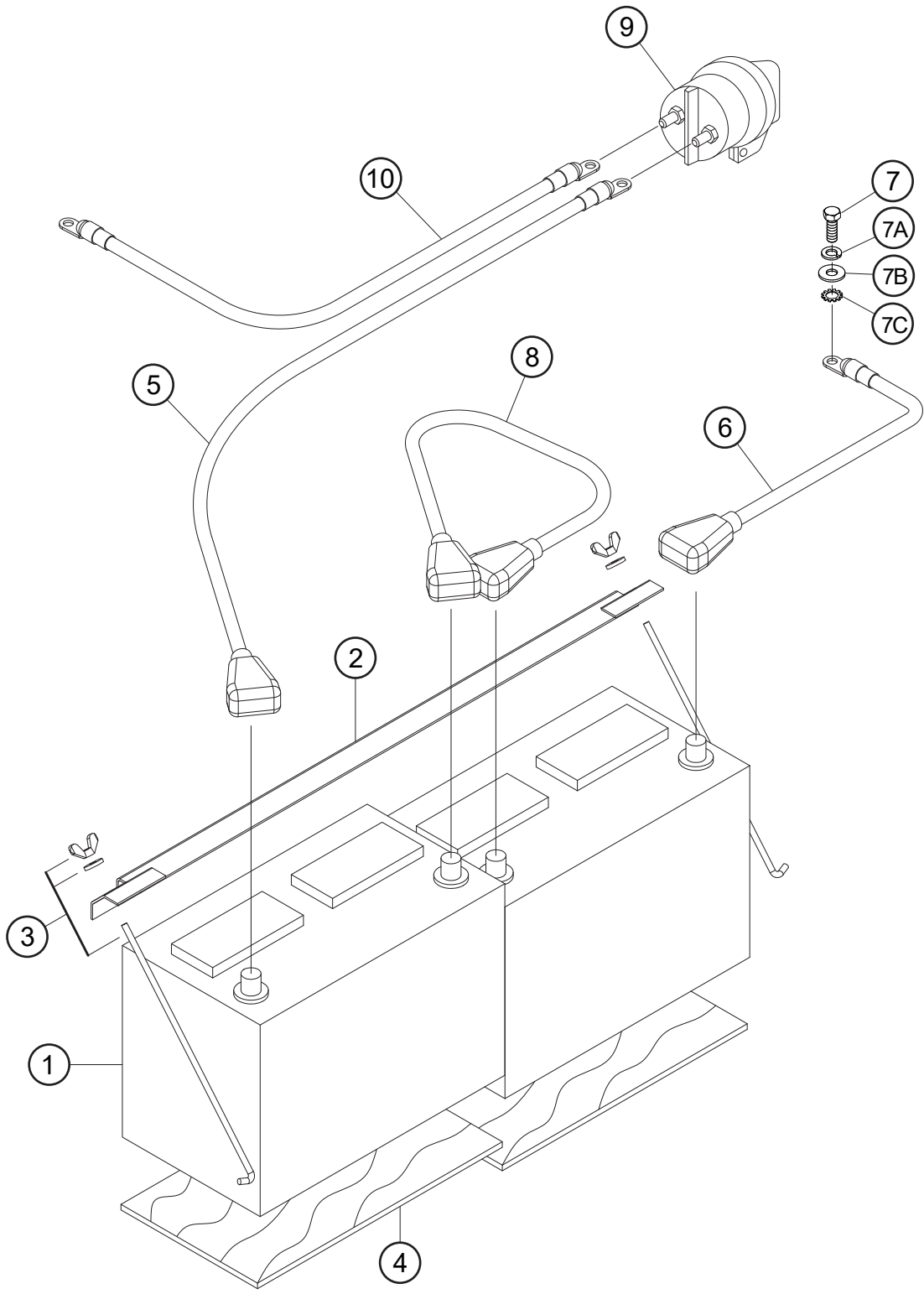
# OUTPUT TERMINAL ASSY.



## OUTPUT TERMINAL ASSY.

<u>NO.</u>	<u>PART NO.</u>	<u>PART NAME</u>	<u>QTY.</u>	<u>REMARKS</u>
1	M3230700003	TERMINAL PANEL	1	
2	M9220100304	OUTPUT TERMINAL BOLT	5	
3	0801830804	TIE BOLT .....	5	REPLACES P/N M9220100404
4	0039316000	HEX. NUT	10	
5	0040016000	WASHER, LOCK	15	
6	0401450160	WASHER, FLAT .....	20	REPLACES P/N 0041416000
7	0012108035	HEX. HEAD BOLT.....	5	REPLACES P/N 0016908035
8	M2237100103	TERMINAL COVER	1	
9	0016906015	HEX. HEAD BOLT	4	
10	0605010040	HINGE	2	
11	0027103010	MACHINE SCREW	4	
11A	0207003000	HEX. NUT .....	4	REPLACES P/N 0030003000
11B	0041203000	WASHER, FLAT	4	
12	0027103015	MACHINE SCREW	4	
12A	0207003000	HEX. NUT .....	4	REPLACES P/N 0030003000
13	M3236100104	OUTPUT WINDOW	1	
14	M9220100804	SET SCREW	2	
15	0040006000	WASHER, LOCK	2	
16	952404470	WASHER, FLAT .....	2	REPLACES P/N 0041206000
17	0080200005	E-RING	2	
18	M3454400003	TERMINAL COVER	1	
19	012212045	HEX. HEAD BOLT.....	2	REPLACES P/N 0010112045
20	031112230	WASHER, FLAT .....	6	REPLACES P/N 0041212000
21	0605050060	CONICAL LOCK WASHER	2	
22	0030012000	HEX. NUT	2	
23	M3236400204	COVER	1	
24	0016906015	HEX. HEAD BOLT	8	
25	M3261700004	BRACKET, CIRCUIT BREAKER	1	
25-1	0222100080	RUBBER CUSHION	1	
26	011206020	HEX. HEAD BOLT.....	2	REPLACES P/N 0016906020
27	0601870440	CIRCUIT BREAKER, 1P 20A	2	
28	Y0601814034	RECEPTACLE, 20A.....	2	REPLACES P/N 0601814013
29	0027104015	MACHINE SCREW	4	
29A	OEMAA8	HEX. NUT .....	4	REPLACES P/N 0207004000
30	Y0601816539	TERMINAL .....	1	REPLACES P/N 0601815194
31	0027104015	MACHINE SCREW	2	
31A	0040508000	TOOTHED WASHER	2	
31B	0040510000	TOOTHED WASHER	1	
32	0603306775	BLIND PLUG	2	
33	0027104015	MACHINE SCREW	4	
34	0019208020	HEX. HEAD BOLT	1	
34A	0040508000	TOOTHED WASHER	1	
35	M3237100204	INSULATING COVER	1	
36	M4236400304	BRACKET	1	
37	0016906015	HEX. HEAD BOLT	2	
38	M3236400004	COVER, CABLE OUTLET	1	
39	M3236300004	SUPPORTER, CABLE OUTLET COVER	1	
40	011206020	HEX HEAD BOLT.....	6	REPLACES P/N 0016906020

**BATTERY ASSY.**

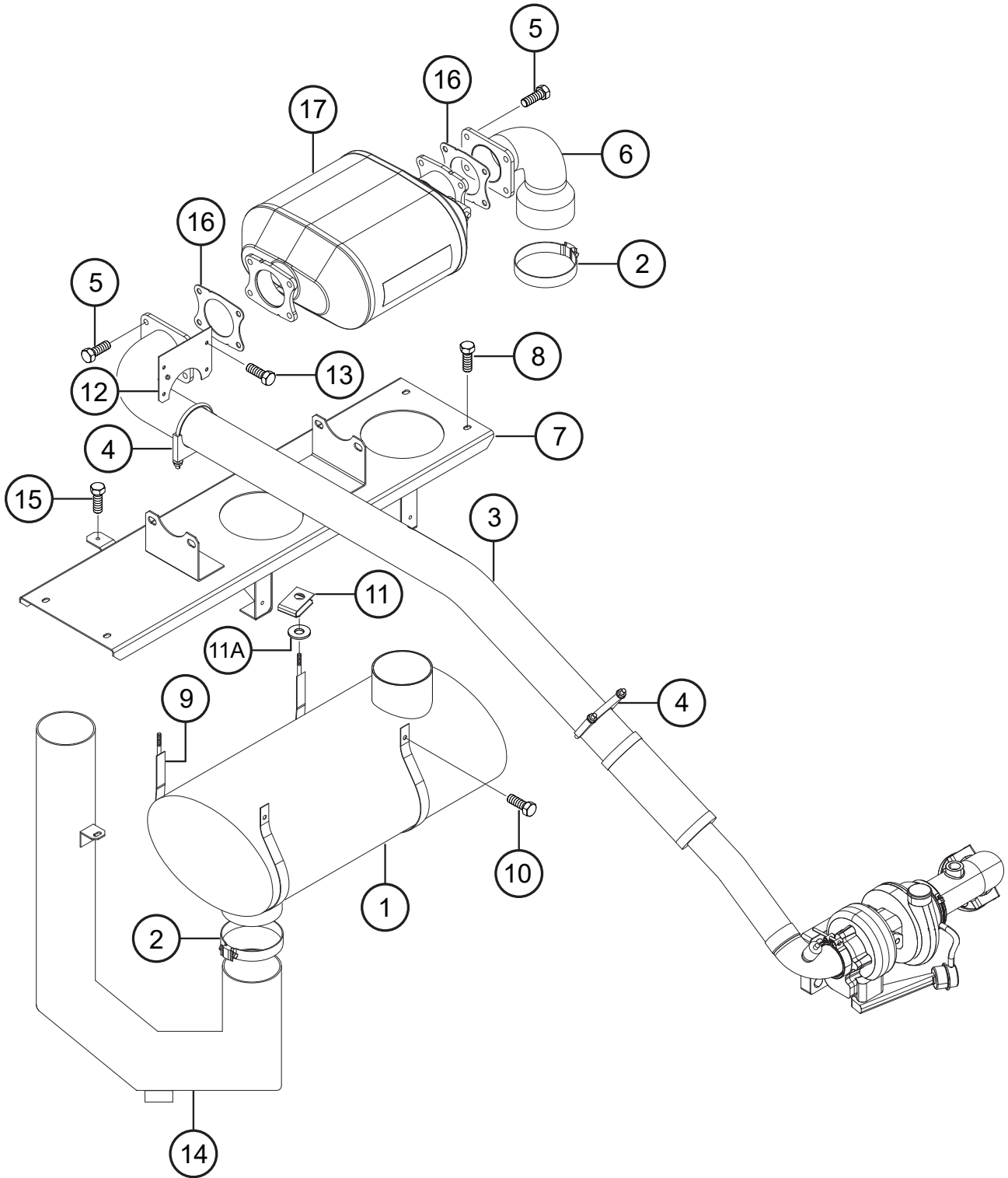


## BATTERY ASSY.

---

<u>NO.</u>	<u>PART NO.</u>	<u>PART NAME</u>	<u>QTY.</u>	<u>REMARKS</u>
1	0602220199	BATTERY	2	
2	M9103000804	BATTERY BAND	1	
3	0602220920	BATTERY BOLT SET, 1/4-L10" .....	2.....	INCLUDES ITEMS W/#
3A#		WING NUT	2	
3B#		PLASTIC WASHER	2	
4	M9310500014	BATTERY SHEET	2	
5	M1348400204	BATTERY CABLE .....	1.....	S/N 9300081 AND BELOW
5	M3347400204	BATTERY CABLE .....	1.....	S/N 9300082 AND ABOVE
6	M3347400004	BATTERY CABLE	1	
7	0010116040	HEX. HEAD BOLT	1	
7A	0040016000	WASHER, LOCK	1	
7B	0401450160	WASHER, FLAT .....	1.....	REPLACES P/N 0041416000
7C	0040510000	TOOTHED WASHER	1	
8	M3346902104	BATTERY CONNECT CABLE	1	
9	Y0602101070	BATTERY SWITCH, 12V .....	1.....	S/N 9300082 AND ABOVE
10	M3347400304	STARTER CONNECT CABLE .....	1.....	S/N 9300082 AND ABOVE

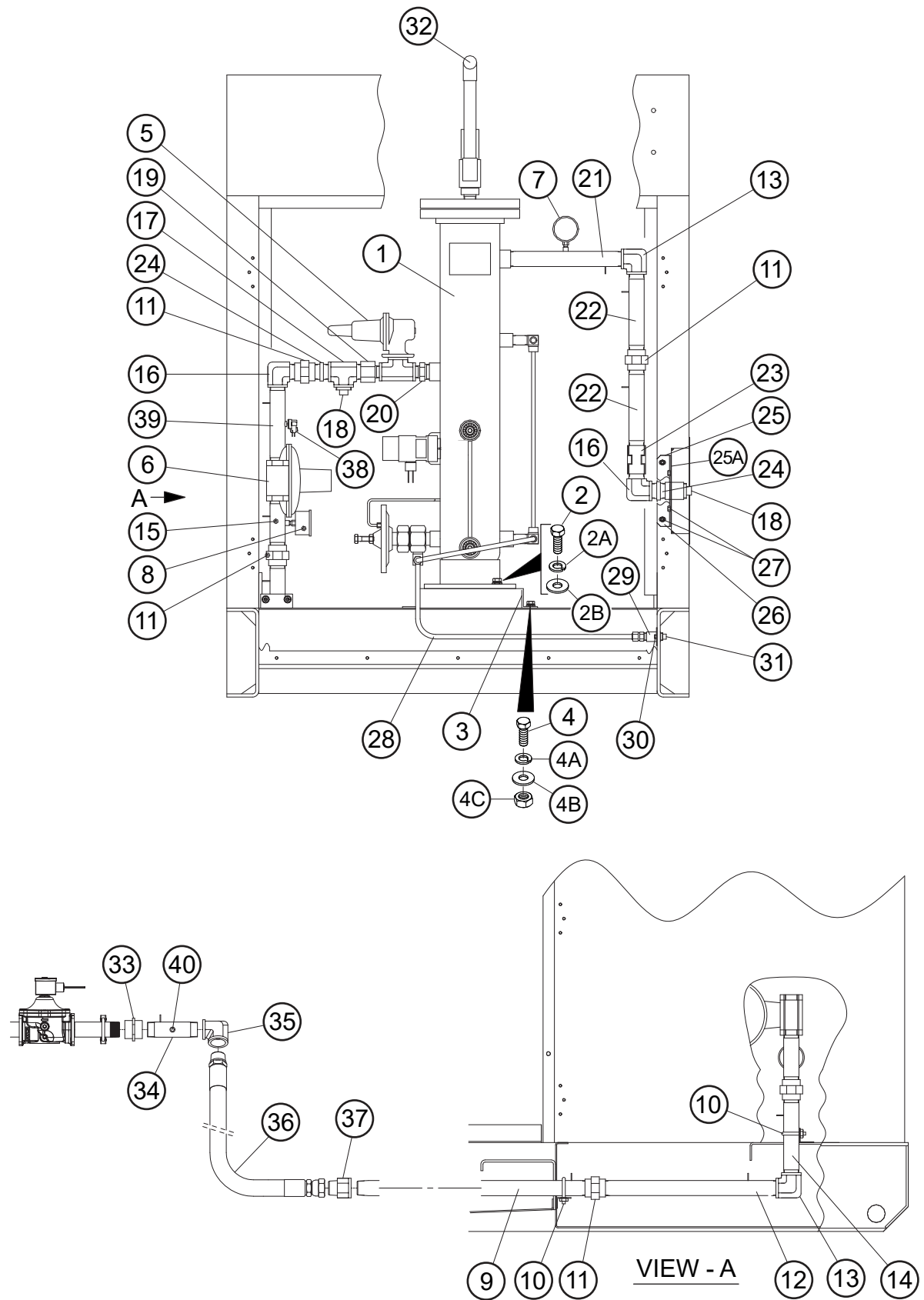
# MUFFLER ASSY.



## MUFFLER ASSY.

<u>NO.</u>	<u>PART NO.</u>	<u>PART NAME</u>	<u>QTY.</u>	<u>REMARKS</u>
1	Y0602300430	MUFFLER	1	
2	Y0602325026	PIPE BAND	2	
3	M3334000203	EXHAUST PIPE	1	
4	0602326061	U-BOLT, 3.5"	2	
5	014210040	HEX. HEAD BOLT.....	8.....	REPLACES P/N 0017110040
5A	021112140	SELF LOCKING NUT .....	8.....	REPLACES P/N 0207010000
6	M3334000303	EXHAUST PIPE	1	
7	M3331200203	BRACKET, CATALYST	1	
8	0016910025	HEX. HEAD BOLT	4	
9	M3331401004	MUFFLER BAND	2	
10	011208025	HEX. HEAD BOLT.....	2.....	REPLACES P/N 0016908025
11	020108060	U-NUT.....	2.....	REPLACES P/N 0037908000
11A	0401450080	WASHER, FLAT.....	2.....	REPLACES P/N 0041208000
12	M3331401104	COVER, EXHAUST PIPE	1	
13	011206020	HEX. HEAD BOLT.....	4.....	REPLACES P/N 0016906020
14	M3334100203	TAIL PIPE	1	
15	011208025	HEX. HEAD BOLT.....	1.....	REPLACES P/N 0016908025
16	Y0602040280	GASKET, PSI 33500805	2	
17	Y0602330140	CATALYST, PSI 38900642.....	1.....	S/N 9300051 AND BELOW
17	Z38901313	CATALYST, PSI 38901313.....	1.....	S/N 9300052 AND ABOVE REPLACES P/N 38901313

# GAS FUEL ASSY.

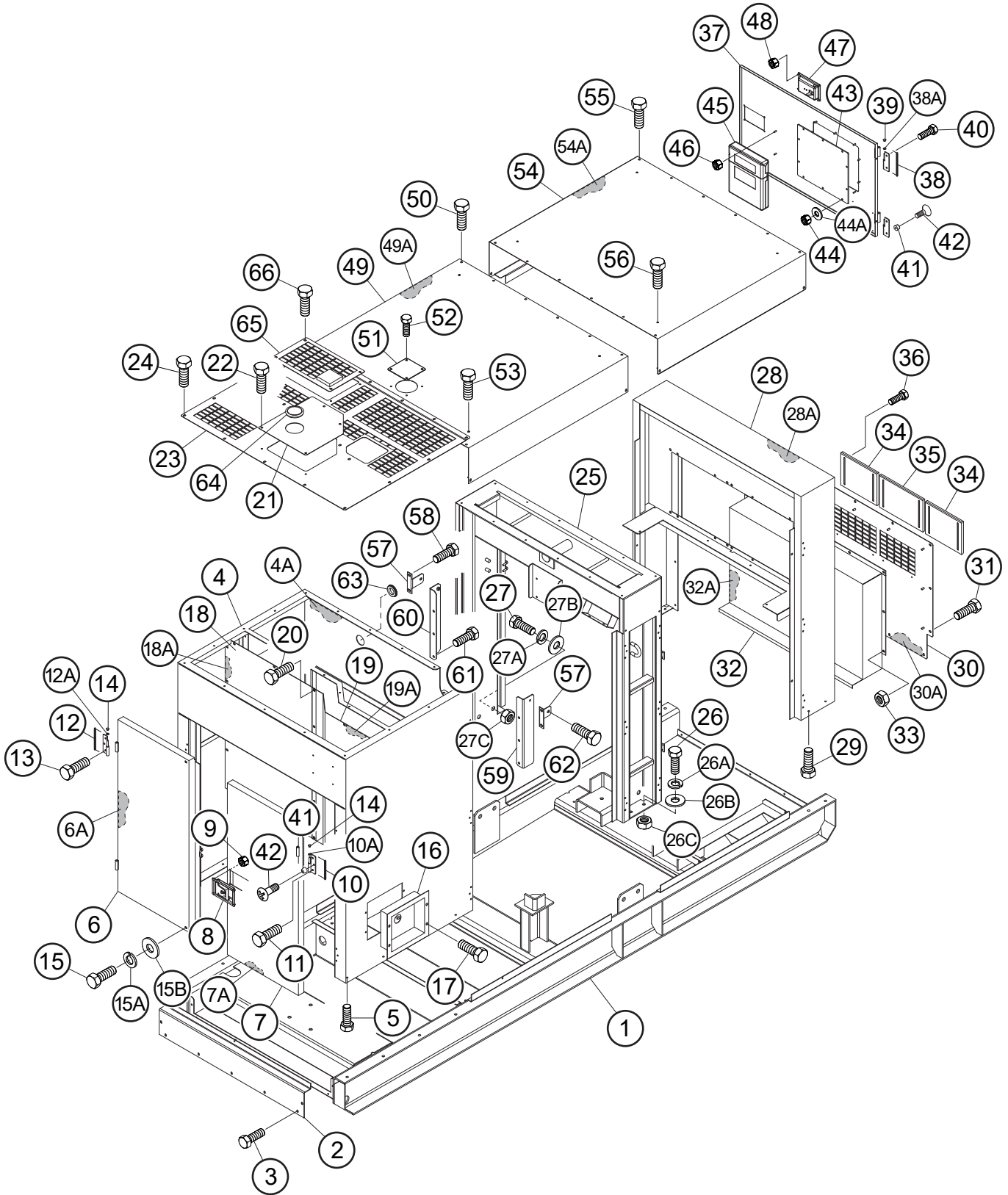




## GAS FUEL ASSY.

<u>NO.</u>	<u>PART NO.</u>	<u>PART NAME</u>	<u>QTY.</u>	<u>REMARKS</u>
1	Y0603200390	GAS FILTER SEPARATOR ASSY.	1	
2	0010114040	HEX. HEAD BOLT	4	
2A	030214350	WASHER, LOCK.....	4	REPLACES P/N 0040014000
2B	031114260	WASHER, FLAT.....	4	REPLACES P/N 0041214000
3	M3424700704	BRACKET, SCRUBBER	1	
4	0010114040	HEX. HEAD BOLT	4	
4A	030214350	WASHER, LOCK.....	4	REPLACES P/N 0040014000
4B	031114260	WASHER, FLAT.....	8	REPLACES P/N 0041214000
4C	515455840	HEX. NUT.....	4	REPLACES P/N 0030014000
5	Y0603400251	REGULATOR	1	
6	Y0603400250	REGULATOR	1	
7	Y0602130181	PRESSURE DIAPHRAGM GAUGE	1	
8	Y0602130182	PRESSURE DIAPHRAGM GAUGE	1	
9	M3367200304	GAS PIPE	1	
10	Y0602326069	U-BOLT	2	
11	Y0603300219	UNION	4	
12	M3367200804	GAS PIPE	1	
13	Y0603306461	FEMALE ELBOW	2	
14	M3367200504	GAS PIPE.....	2	S/N 9300061 AND BELOW
15	M3367200604	GAS PIPE	1	
16	Y0603306235	STREET ELBOW	2	
17	Y0603307055	MALE RUN TEE	1	
18	Y0603306756	PLUG	2	
19	Y0603306524	ADAPTER	1	
20	Y0603306979	PIPE NIPPLE	1	
21	M3367200704	GAS PIPE	1	
22	M3367201004	GAS PIPE	2	
23	Y0603325039	BRASS BALL VALVE	1	
24	Y0603306381	PIPE NIPPLE	2	
25	M3424700504	GAS INLET	1	
25A	M9311400004	SEAL RUBBER	1	
26	M3424700604	BRACKET, GAS INLET SIDE	2	
27	0019208020	HEX. HEAD BOLT	8	
28	M3374000503	DRAIN TUBE	1	
29	M3327200304	SEPARATOR, WATER OUTLET	1	
30	011606025	HEX. HEAD BOLT.....	2	REPLACES P/N 0016906025
31	Y0603306755	PLUG	1	
32	M3367200904	RELIEF PIPE	1	
33	Y0603306460	PIPE COUPLING	1	
34	M3367200004	GAS INLET PIPE	1	
35	Y0603306461	FEMALE ELBOW	1	
36	M3367000004	GAS HOSE	1	
37	Y0603306498	FEMALE CONNECTOR	1	
38	Y0602130261	PRESSURE SW., ACTUATION PRESS.....	1	S/N 9300061 AND BELOW
38	Y0602130262	PRESSURE SW., ACTUATION PRESS.....	1	S/N 9300062 AND ABOVE
39	M3367201104	GAS PIPE.....	1	S/N 9300062 AND ABOVE
40	Y0603306757	PLUG, NPT 1/8".....	1	S/N 9300062 AND ABOVE

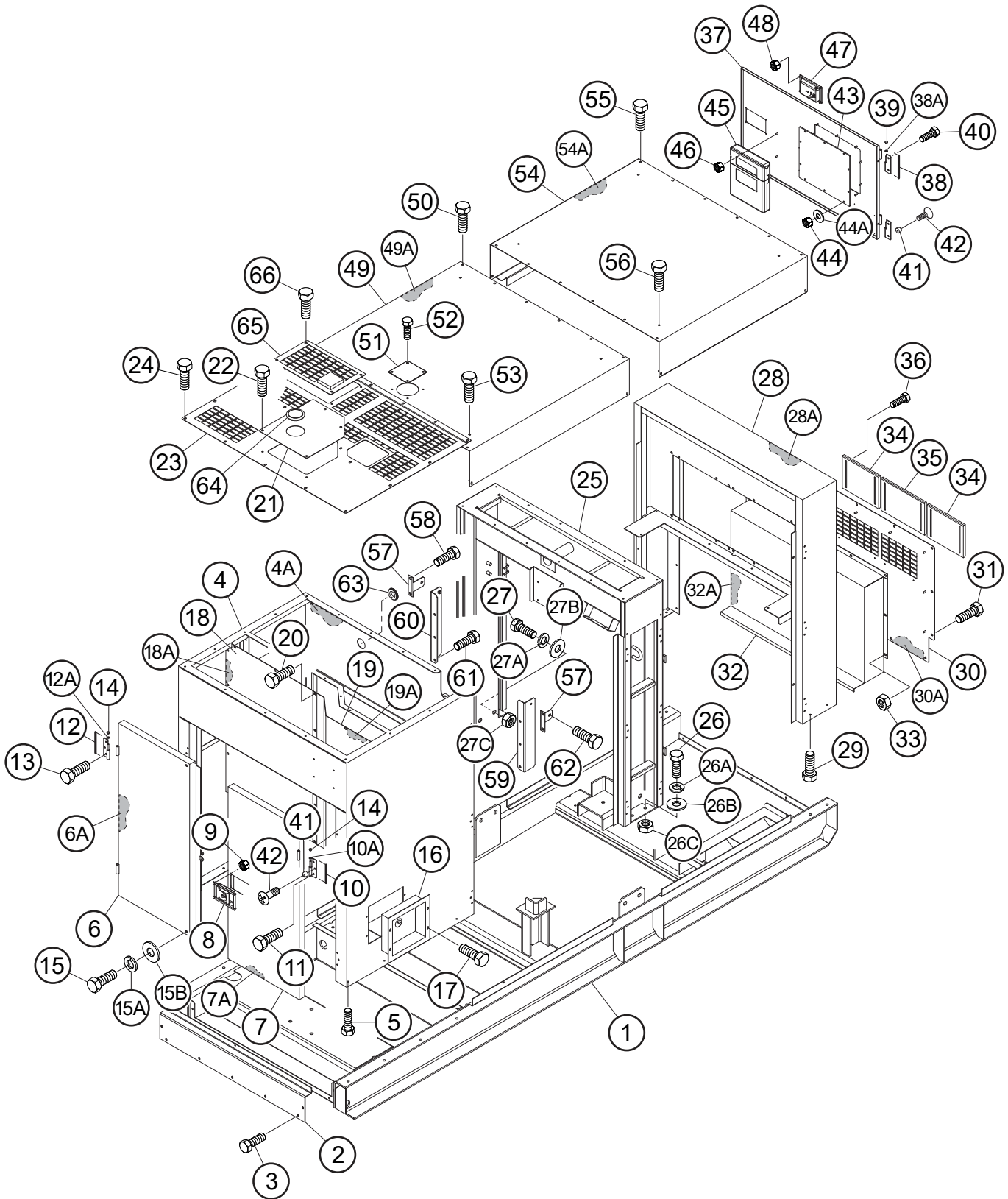
# ENCLOSURE 1 ASSY.



## ENCLOSURE 1 ASSY.

<u>NO.</u>	<u>PART NO.</u>	<u>PART NAME</u>	<u>QTY.</u>	<u>REMARKS</u>
1	M3414000502	BASE	1	
2	M3414400003	COVER, BASE	1	
3	0019208020	HEX. HEAD BOLT	7	
4	M3424000502	FRONT FRAME	1	
4A	M3494106103	ACOUSTIC SHEET	1	
5	0016910025	HEX. HEAD BOLT	8	
6	M3424600103	PANEL, FRONT FRAME	1	
6A	M3494416904	ACOUSTIC SHEET	1	
7	M3424600003	DOOR, FRONT FRAME	1	
7A	M3494417204	ACOUSTIC SHEET	1	
8	Y0605012309	DOOR HANDLE	1	
9	0176060030	SELF LOCKING NUT .....	4	REPLACES P/N 0207006000
10	M9110100904	HINGE	2	
10A	M9116100004	WASHER	2	
11	0019208020	HEX. HEAD BOLT	4	
12	M9110100804	HINGE	2	
12A	M9116100004	WASHER	2	
13	0019208020	HEX. HEAD BOLT	4	
14	0845031504	CAP, BLIND PLUG.....	4	REPLACES P/N M9310000004
15	0019108065	HEX. HEAD BOLT	2	
15A	0042308000	WASHER, LOCK	2	
15B	0401450080	WASHER, FLAT.....	2	REPLACES P/N 0042408000
16	M3424500004	BRACKET, GAS INLET PIPE	1	
17	0019208020	HEX. HEAD BOLT	4	
18	M3424201304	COVER, FRONT INNER	1	
18A	M3494107704	ACOUSTIC SHEET	1	
19	M3424201404	COVER, FRONT INNER	1	
19A	M3494108004	ACOUSTIC SHEET	1	
20	0019208020	HEX. HEAD BOLT	20	
21	M3424201204	COVER, WATER SEPARATOR CAP	1	
22	0019208020	HEX. HEAD BOLT	3	
23	M3424201003	OVER COVER, FRONT FRAME .....	1	S/N 9300041 AND BELOW
23	M3424201013	OVER COVER, FRONT FRAME .....	1	S/N 9300042 AND ABOVE
24	0019208020	HEX. HEAD BOLT	20	
25	M3434000402	CENTER FRAME	1	
26	0010114040	HEX. HEAD BOLT	4	
26A	030214350	WASHER, LOCK.....	4	REPLACES P/N 0040014000
26B	031114260	WASHER, FLAT .....	8	REPLACES P/N 0041214000
26C	515455840	HEX. NUT .....	4	REPLACES P/N 0030014000
27	0010120050	HEX. HEAD BOLT	4	
27A	030220510	WASHER, LOCK.....	4	REPLACES P/N 0040020000
27B	0041220000	WASHER, FLAT	8	
27C	0030020000	HEX. NUT	4	
28	M3444000902	REAR FRAME	1	
28A	M4493302804	ACOUSTIC SHEET	1	

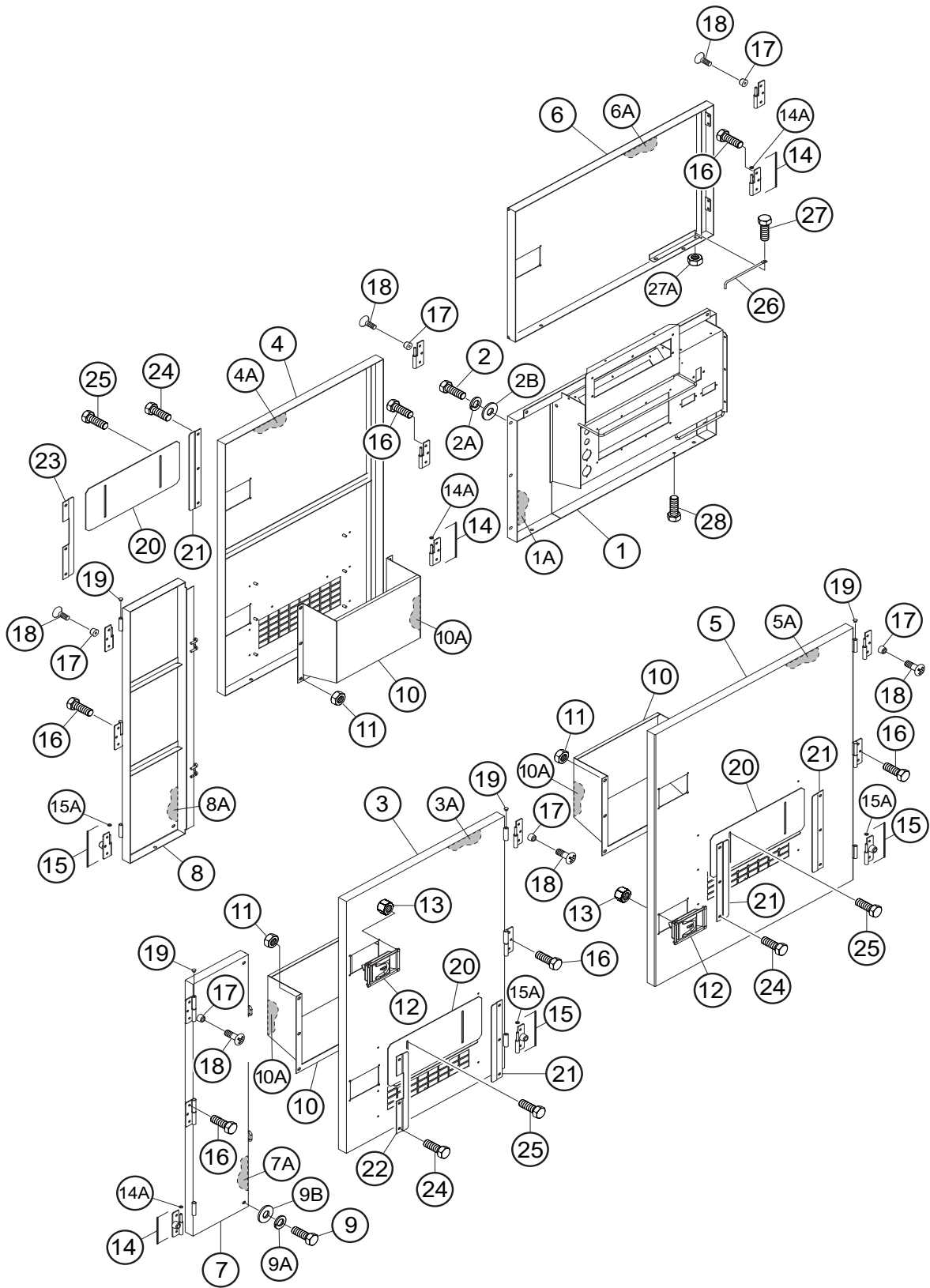
# ENCLOSURE 1 ASSY. (CONT'D.)



## ENCLOSURE 1 ASSY. (CONT'D.)

<u>NO.</u>	<u>PART NO.</u>	<u>PART NAME</u>	<u>QTY.</u>	<u>REMARKS</u>
29	0016910025	HEX. HEAD BOLT	4	
30	M3444300804	COVER, REAR FRAME	1	
30A	M4493302904	ACOUSTIC SHEET	1	
31	0019208020	HEX. HEAD BOLT	14	
32	M4443300503	DUCT, REAR FRAME	1	
32A	M4493303004	ACOUSTIC SHEET	1	
33	020108060	HEX. NUT .....	9	REPLACES P/N 0207008000
34	M3444300604	INTAKE CONTROL PLATE (RC) 1	2	
35	M3444300704	INTAKE CONTROL PLATE (RC) 2	1	
36	0019206015	HEX. HEAD BOLT	6	
37	M3444200603	DOOR, REAR FRAME	1	
38	M9110100204	HINGE, MALE (L)	2	
38A	M9116100004	WASHER	2	
39	0845031504	BLIND PLUG.....	2	REPLACES P/N M9310000004
40	0019208020	HEX. HEAD BOLT	3	
41	0601850097	STOPPER	5	
42	0027208025	MACHINE SCREW	5	
43	M1445600204	WINDOW PLATE	1	
44	020106050	SELF-LOCKING U-NUT .....	10	REPLACES P/N 0037906000
44A	952404470	WASHER, FLAT .....	10	REPLACES P/N 0041206000
45	0600800320	MANUAL PAK	1	
46	0176060030	SELF-LOCKING NUT .....	8	REPLACES P/N 0207006000
47	Y0605012309	DOOR HANDLE	1	
48	0176060030	SELF-LOCKING NUT .....	4	REPLACES P/N 0207006000
49	M3464100303	ROOF PANEL	1	
49A	M3494502203	ACOUSTIC SHEET	1	
50	0019208020	HEX. HEAD BOLT	10	
51	M3310600004	COVER, RADIATOR CAP	1	
52	0019208020	HEX. HEAD BOLT	4	
53	0019210025	HEX. HEAD BOLT	4	
54	M3464200203	ROOF PANEL	1	
54A	M3494502703	ACOUSTIC SHEET	1	
55	0019208020	HEX. HEAD BOLT	16	
56	0019210025	HEX. HEAD BOLT	4	
57	M3311200404	RADIATOR BRACKET	2	
58	011008020	HEX. HEAD BOLT.....	4	REPLACES P/N 0016908020
59	M3311200504	RADIATOR BRACKET	1	
60	M3311200604	RADIATOR BRACKET	1	
61	011008020	HEX. HEAD BOLT.....	6	REPLACES P/N 0016908020
62	0016910025	HEX. HEAD BOLT	2	
63	0601851736	GROMMET	1	
64	Y0601851765	GROMMET	1	
65	M3424201503	OVER COVER PLATE.....	1	S/N 9300042 AND ABOVE
66	0019208020	HEX. HEAD BOLT.....	4	S/N 9300042 AND ABOVE

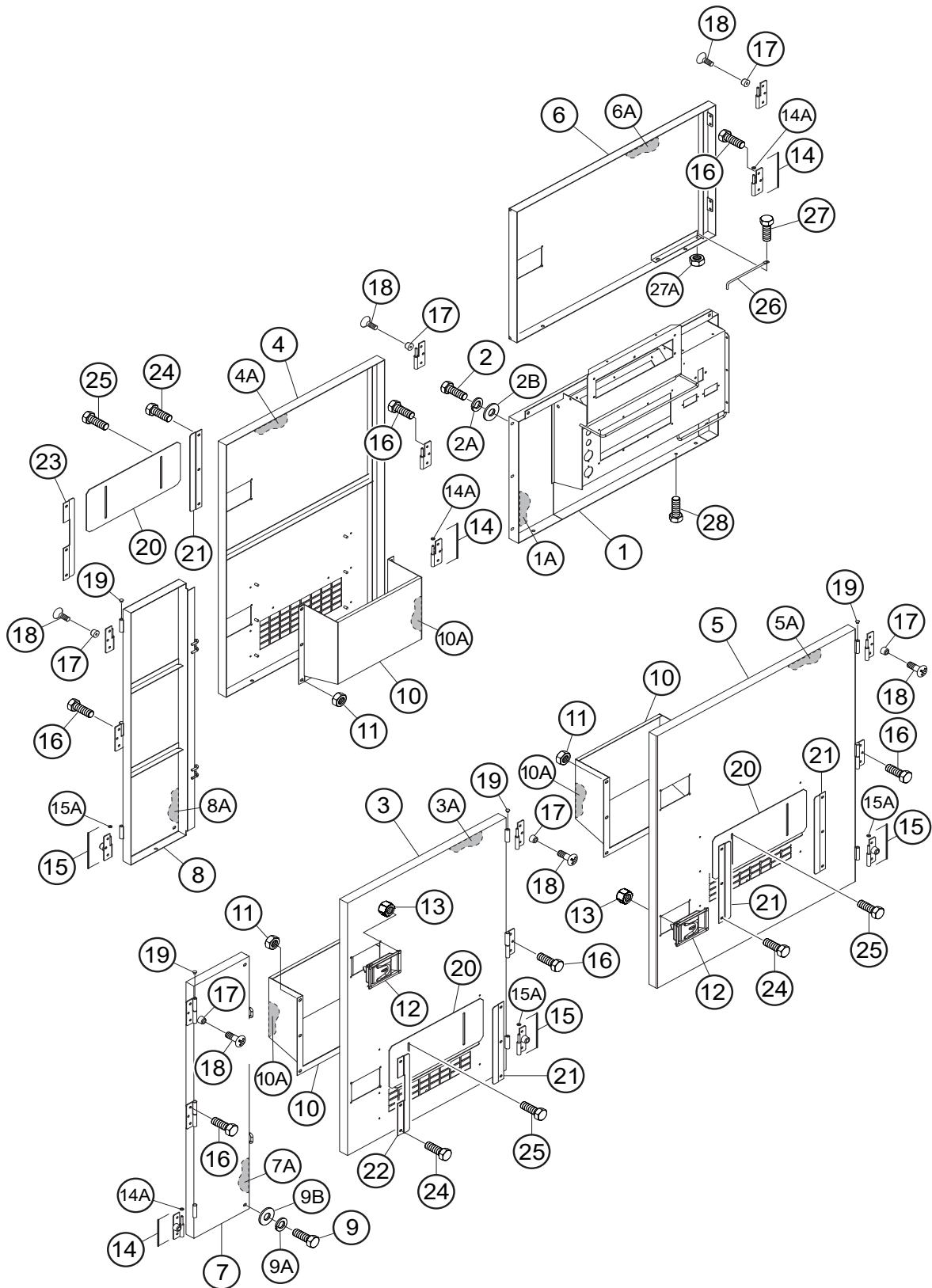
# ENCLOSURE 2 ASSY.



## ENCLOSURE 2 ASSY.

<u>NO.</u>	<u>PART NO.</u>	<u>PART NAME</u>	<u>QTY.</u>	<u>REMARKS</u>
1	M3454200402	SPLASHER PANEL	1	
1A	M3494414504	ACOUSTIC SHEET	1	
2	0019108065	HEX. HEAD BOLT	6	
2A	0042308000	WASHER, LOCK	6	
2B	0401450080	WASHER, FLAT .....	6.....	REPLACES P/N 0042408000
3	M3454001603	SIDE DOOR.....	1.....	S/N 9300041 AND BELOW
3	M3454001613	SIDE DOOR.....	1.....	S/N 9300042 AND ABOVE
3A	M3494411603	ACOUSTIC SHEET	1	
4	M3454001703	SIDE DOOR.....	1.....	S/N 9300041 AND BELOW
4	M3454001713	SIDE DOOR.....	1.....	S/N 9300042 AND ABOVE
4A	M3494412503	ACOUSTIC SHEET	1	
5	M3454001803	SIDE DOOR.....	1.....	S/N 9300041 AND BELOW
5	M3454001813	SIDE DOOR.....	1.....	S/N 9300042 AND ABOVE
5A	M3494413403	ACOUSTIC SHEET	1	
6	M3454001903	SIDE DOOR	1	
6A	M3494414204	ACOUSTIC SHEET	1	
7	M3454100203	SIDE PANEL	1	
7A	M3494412604	ACOUSTIC SHEET	1	
8	M3454100303	SIDE PANEL	1	
8A	M3494412604	ACOUSTIC SHEET	1	
9	0019108065	HEX. HEAD BOLT	4	
9A	0042308000	WASHER, LOCK	4	
9B	0401450080	WASHER, FLAT .....	4.....	REPLACES P/N 0042408000
10	M3454301004	DUCT	3	
10A	M3494415304	ACOUSTIC SHEET	3	
11	Y0207008000	HEX. NUT	21	
12	Y0605012309	DOOR HANDLE	7	
13	0176060030	SELF-LOCKING NUT .....	28.....	REPLACES P/N 0207006000
14	M9110100804	HINGE	8	
14A	M9116100004	WASHER	8	
15	M9110100904	HINGE	9	
15A	M9116100004	WASHER	9	
16	0019208020	HEX. HEAD BOLT	40	
17	0601850097	STOPPER	11	
18	0027208025	MACHINE SCREW	11	
19	0845031504	BLIND PLUG.....	17.....	REPLACES P/N M9310000004
20	M3454100404	PLATE, INTAKE CONTROL.....	3.....	S/N 9300041 AND BELOW
20	M3454100414	PLATE, INTAKE CONTROL.....	3.....	S/N 9300042 AND ABOVE

# ENCLOSURE 2 ASSY. (CONT'D.)

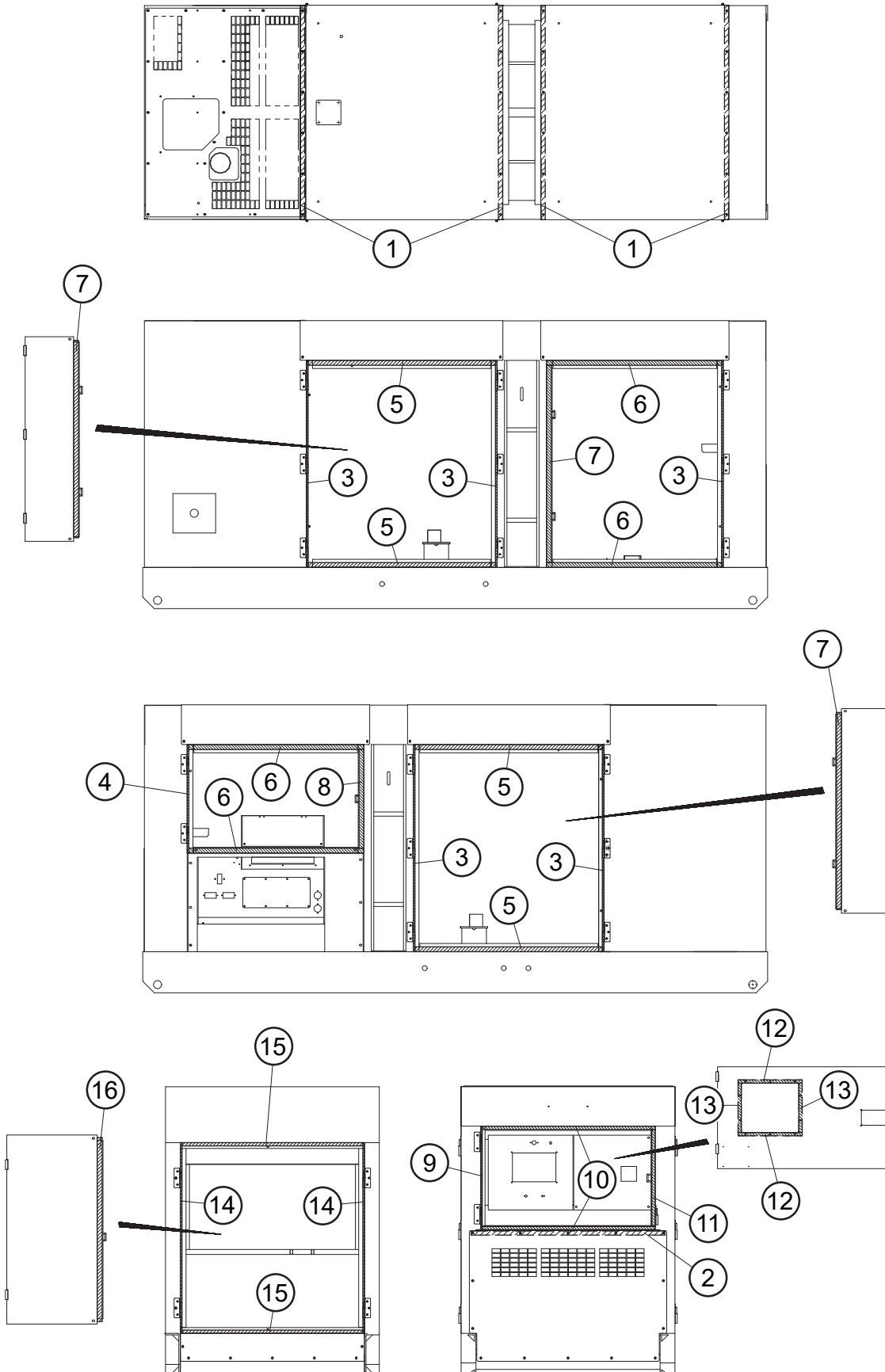




## ENCLOSURE 2 ASSY. (CONT'D.)

<u>NO.</u>	<u>PART NO.</u>	<u>PART NAME</u>	<u>QTY.</u>	<u>REMARKS</u>
21	M3454600504	PLATE GUIDE	4	
22	M3454600704	PLATE GUIDE	1	
23	M3454600804	PLATE GUIDE	1	
24	0019206015	HEX. HEAD BOLT	18	
24A	952404470	WASHER, FLAT .....	18.....	REPLACES P/N 0042406000
25	0019206015	HEX. HEAD BOLT.....	3.....	S/N 9300041 AND BELOW
25	0019206015	HEX. HEAD BOLT.....	6.....	S/N 9300042 AND ABOVE
26	M9114300204	STOPPER, DOOR .....	4.....	S/N 9300022 AND ABOVE
26A	Y0605000180	CAP.....	4.....	S/N 9300022 AND ABOVE
27	0341510040	HEX. HEAD BOLT.....	4.....	S/N 9300022 AND ABOVE
27A	020310080	HEX. NUT .....	4.....	REPLACES P/N 0030010000 S/N 9300022 AND ABOVE
28	0016910025	HEX. HEAD BOLT	1	

# RUBBER SEALS ASSY.

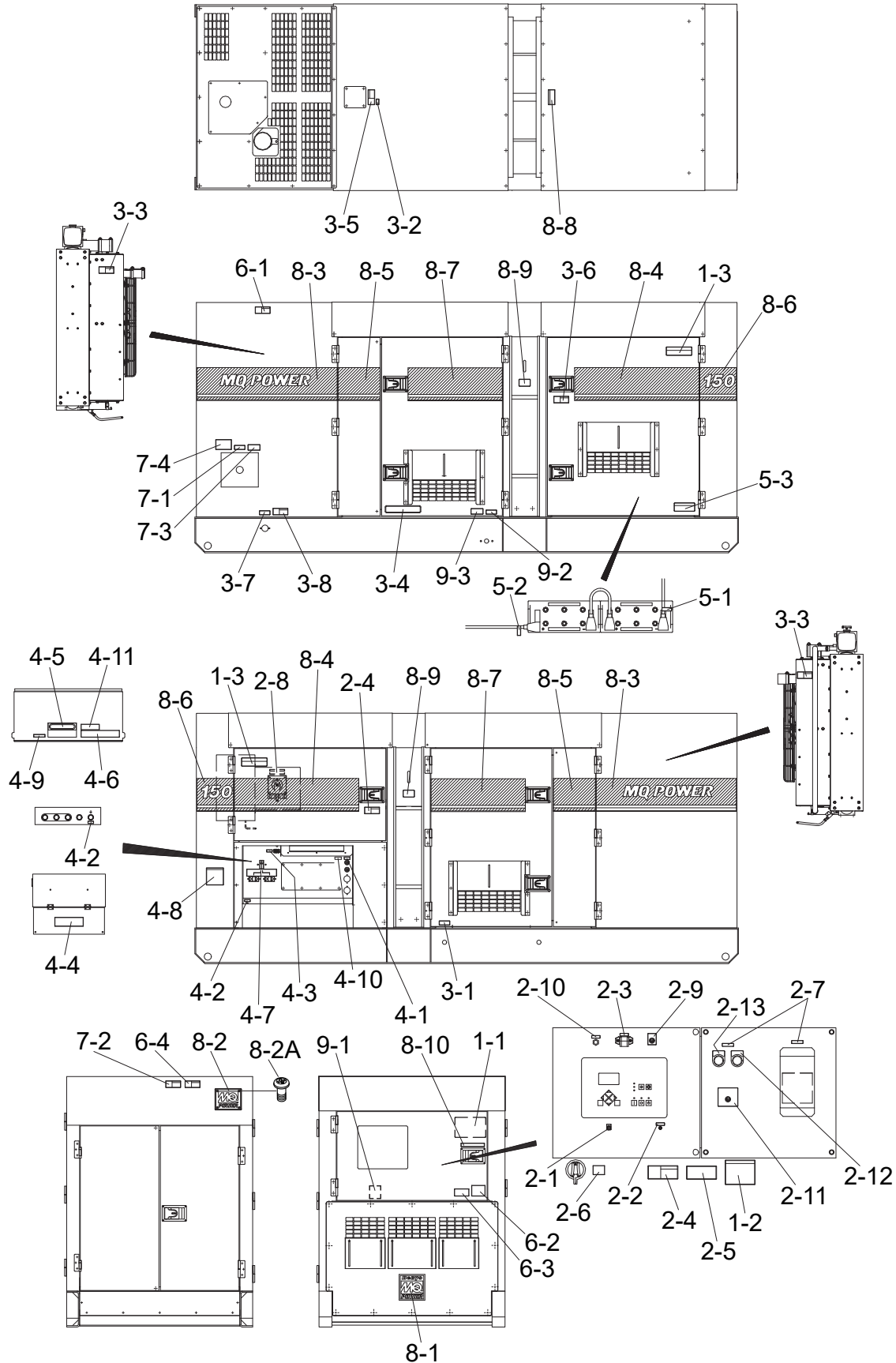


## RUBBER SEALS ASSY.

---

<u>NO.</u>	<u>PART NO.</u>	<u>PART NAME</u>	<u>QTY.</u>	<u>REMARKS</u>
1	0229201300	SEAL, RUBBER	4	
2	Y0229201180	SEAL, RUBBER	1	
3	0228901260	SEAL, RUBBER	5	
4	0228900660	SEAL, RUBBER	1	
5	0228901140	SEAL, RUBBER	4	
6	Y0228901065	SEAL, RUBBER	4	
7	0228901200	SEAL, RUBBER	3	
8	0228900600	SEAL, RUBBER	1	
9	0229400630	SEAL, RUBBER	1	
10	0228801040	SEAL, RUBBER	2	
11	0228800590	SEAL, RUBBER	1	
12	0228100390	SEAL, RUBBER	2	
13	0228100300	SEAL, RUBBER	2	
14	0228901160	SEAL, RUBBER	2	
15	0228801100	SEAL, RUBBER	2	
16	0228901120	SEAL, RUBBER	1	

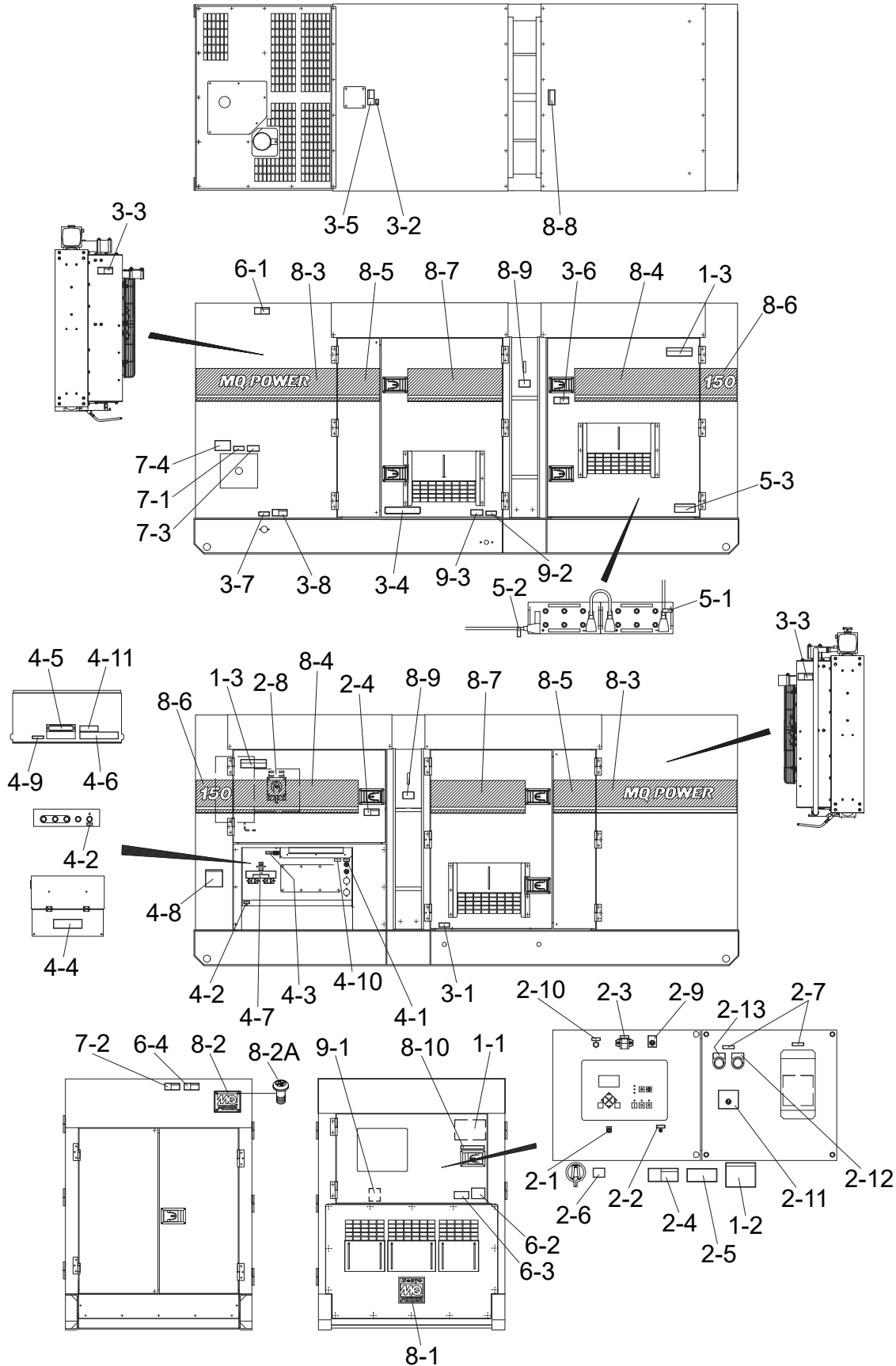
# NAMEPLATE AND DECALS ASSY.



## NAMEPLATE AND DECALS ASSY.

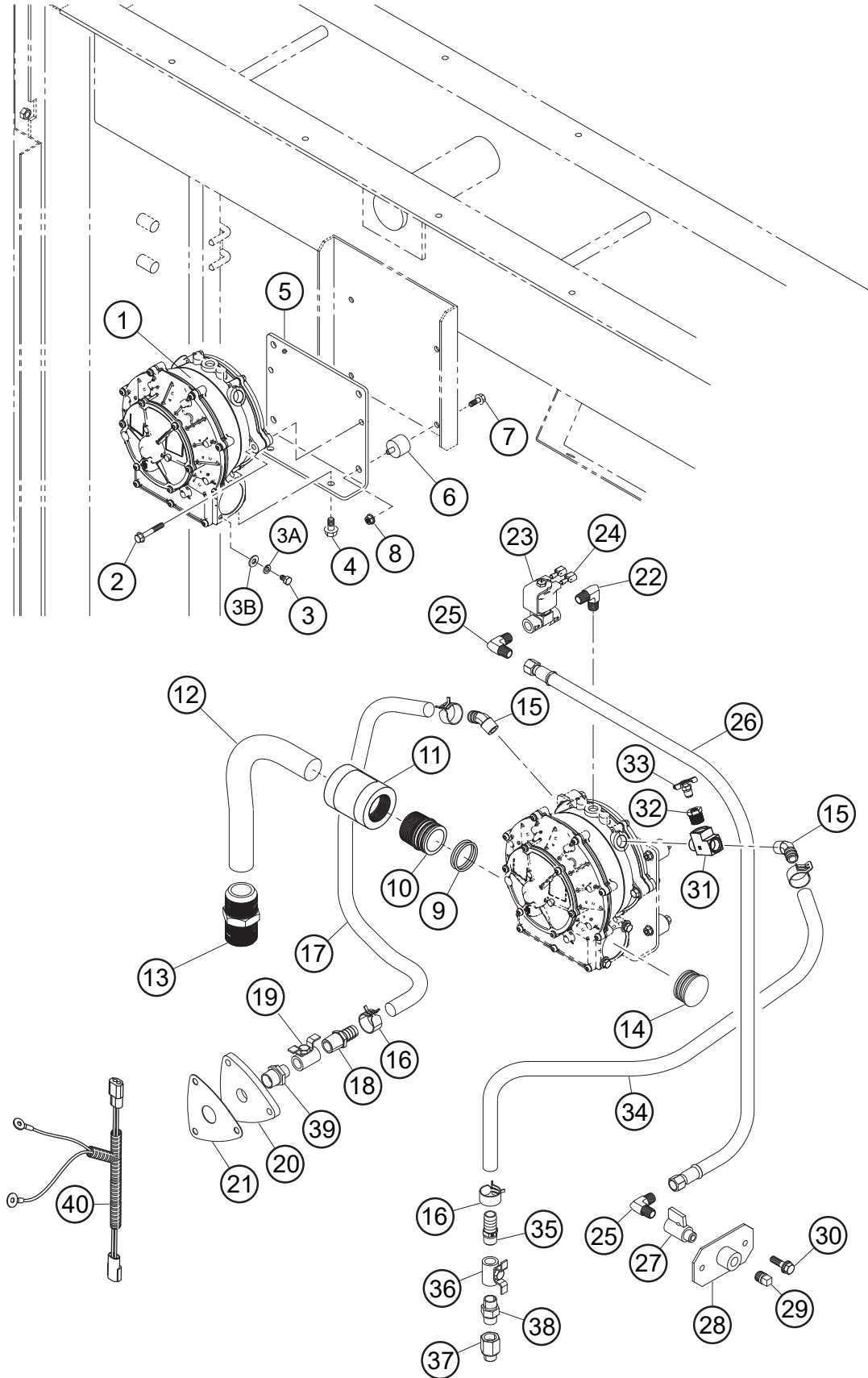
<u>NO.</u>	<u>PART NO.</u>	<u>PART NAME</u>	<u>QTY.</u>	<u>REMARKS</u>
1-1	M3551001503	DECAL: OPERATING PROCEDURES.....	1.....	M35100150
1-2	M9520100304	DECAL: SAFETY INSTRUCTIONS.....	1.....	M92010030
1-3	M9520100603	DECAL: CAUTION.....	2.....	M92010060
<b>CONTROL PANEL AND BOX GROUP</b>				
2-1	M9520001704	DECAL: CONTROL POWER SWITCH.....	1.....	M92000170
2-2	M9521001104	DECAL: ENGINE WARNING.....	1.....	M92100110
2-3	M9522000804	DECAL: PANEL LIGHT.....	1.....	M92200080
2-4	M9520100004	DECAL: WARNING:ELECT. SHK. HAZARD .....	2.....	M92010000
2-5	M9520100704	DECAL: WARNING:ARC FLASH.....	1.....	M92010070
2-6	M9520001604	DECAL: BATTERY SWITCH.....	1.....	M92000160
S/N 9300042 AND ABOVE				
2-7	M9522000504	DECAL: CIRCUIT BREAKER.....	2.....	M92200050
2-8	M9520100204	DECAL: CAUTION.....	1.....	M92010020A
2-9	M9522000704	DECAL: PANEL LIGHT SWITCH.....	1.....	M92200070
2-10	M9521001204	DECAL: LOW COOLANT ALARM LAMP.....	1.....	M92100120
2-11	M9522001714	DECAL: CIRCUIT BREAKER SWITCH.....	1.....	M92200171
2-12	M9522001804	DECAL: CB ON-LAMP.....	1.....	M92200180
2-13	M9522001904	DECAL: CB OFF-LAMP.....	1.....	M92200190
<b>ENGINE AND RADIATOR GROUP</b>				
3-1	M9500000004	DECAL: OIL DRAIN PLUG.....	1.....	M90000000
3-2	M9500100004	DECAL: WATER.....	1.....	M90010000
3-3	M9503000004	DECAL: WARNING:ROTATING PART.....	2.....	M90300000
3-4	M9503000103	DECAL: WATER · OIL CHECK.....	1.....	M90300010
3-5	M9503100004	DECAL: WARNING:HOT COOLANT.....	1.....	M90310000
3-6	M9510100004	DECAL: CAUTION:HOT PARTS.....	1.....	M91010000
3-7	M9541200004	DECAL: SCRUBBER WATER DRAIN.....	1.....	M94120000
3-8	M9504500204	DECAL: WARNING:SCRUBBER DRAIN.....	1.....	M90450020
<b>OUTPUT TERMINAL GROUP</b>				
4-1	M9521001004	DECAL: PARA. RECEPTACLES.....	1.....	M92100100
4-2	M9520000004	DECAL: GROUND.....	2.....	M92000000
4-3	M9520000504	DECAL: START CONTACT.....	1.....	M92000050
4-4	M9520200003	DECAL: CONNECTION OF OUTPUT CABLE .....	1.....	M92020000
4-5	M9520100404	DECAL: DANGER:HIGH VOLTAGE.....	1.....	M92010040
4-6	M9520100503	DECAL: WARNING.....	1.....	M92010050
4-7	M3551000704	DECAL: AUXILIARY OUTPUTS.....	1.....	M35100070
4-8	M3550000804	DECAL: NOTE.....	1.....	M35000080A
4-9	M9521200604	DECAL: BONDED NEUTRAL.....	1.....	M92120060
S/N 9300042 AND ABOVE				
4-10	M9521200504	DECAL: PARALLEL CAPABLE.....	1.....	M92120050
4-11	M9521100104	DECAL: DANGER; PARALLEL SHK. HAZARD.1.....	1.....	M92110010
S/N 9300112 AND ABOVE				

# NAMEPLATE AND DECALS ASSY. (CONT'D.)



## NAMEPLATE AND DECALS ASSY. (CONT'D.)

<u>NO.</u>	<u>PART NO.</u>	<u>PART NAME</u>	<u>QTY.</u>	<u>REMARKS</u>
<b>BATTERY GROUP</b>				
5-1	M9500300004	DECAL: - .....	1.....	M90030000
5-2	M9500300104	DECAL: + .....	1.....	M90030010
5-3	M9510100403	DECAL: CAUTION.....	1.....	M91010040A
<b>MUFFLER GROUP</b>				
6-1	M9503200004	DECAL: WARNING:ENGINE EXHAUST .....	1.....	M90320000
6-2	M9503200104	DECAL: DANGER:EXHAUST.....	1.....	M90320010
6-3	920214100	DECAL: WARNING:START FIRES.....	1.....	REPLACES P/N M9504200004 M90420000
6-4	M9503500104	DECAL: WARNING:FLAMMABLE GAS .....	1.....	M90350010
<b>GAS FUEL GROUP</b>				
7-1	M9507200004	DECAL: NATURAL GAS FEED .....	1.....	M90720000
7-2	M9504500304	DECAL: WARNING: GAS .....	1.....	M90450030
7-3	M9501500204	DECAL: NATURAL GAS FUEL.....	1.....	M90150020
7-4	M3551001404	DECAL: CAUTION:NG INLET PRESSURE .....	1.....	M35100140
<b>ENCLOSURE GROUP</b>				
8-1	M9511200204	DECAL: MQ .....	1.....	M91120020
8-2	0600500092	EMBLEM	1	
8-2A	0021106015	MACHINE SCREW	4	
8-3	M3561100603	STRIPE .....	2.....	M36110060
8-4	M3561100304	STRIPE .....	2.....	M36110030
8-5	M3561100504	STRIPE .....	2.....	M36110050
8-6	M3561100004	STRIPE .....	2.....	M36110000
8-7	M3561100404	STRIPE .....	2.....	M36110040
8-8	M3550002204	DECAL: CAUTION.....	1.....	M35000220
8-9	M9512000004	DECAL: SUPPORT HOOK.....	2.....	M91200000
8-10	M9510000104	DECAL: DOCUMENT BOX LOCATED .....	1.....	M91000010
<b>LPG GROUP</b>				
9-1	M3551000904	DECAL: GEN. OUTPUT .....	1.....	M35100090
9-2	M9504500104	DECAL: LPG FEED .....	1.....	M90450010
9-3	M9501500304	DECAL: LPG FUEL.....	1.....	M90150030





# LPG ASSY.

<u>NO.</u>	<u>PART NO.</u>	<u>PART NAME</u>	<u>QTY.</u>	<u>REMARKS</u>
1	Y0602042699	VAPORIZER ECI LPG2 STAGE .....	1	32501744
2	Y0601610490	BOLT, M6-1.0 X 45.....	2	35000708
3	Y0601610492	BOLT, M6 X 1.0 X 10 .....	4	35000355
3A	Y0601610390	WASHER, LOCK M6.....	4	35000285
3B	Y0601610290	WASHER, FLAT 1/4 SAE.....	4	35000006
4	Y0601610491	BOLT, M8-1.25 X 16.....	2	35000526
5	Y0602010490	PLATE, VAPORIZER LARGE 5.7L .....	1	32501942
6	Y0602019090	ISOLATOR, METRIC M6 .....	4	32500899
7	Y0602006090	BOLT, M6-1.0 X 16.....	4	35000530
8	Y0602007090	NUT, M6-1.0.....	4	35000699
9	Y0603327001	O-RING, SZ 127 .....	2	32501755
10	Y0603306512	ADAPTER, 1-1/4 NPT MALE.....	1	32501749
11	Y0603306769	COUPLER, 1-1/4 NPT .....	1	52500006
12	Y0603315088	HOSE, UL 1-1/4 NPT 24"L.....	1	32502022-
13	Y0603306599	ADAPTER, #20JIC-1.25MPT .....	1	32502022-FST
14	Y0603306768	PLUG, FUEL PORT .....	1	32501925
15	Y0603307529	FITTING, 3/8MPT X 5/8BH .....	2	32500245
16	Y0605515198	HOSE BAND, #8	4	
17	Y0269301680	HEATER, HOSE L=1680MM (66.2")	1	
18	Y0603320068	FITTING, 1/2"NPT X 5/8"HB.....	1	S/N 9300061 AND BELOW 32501108
18	0602022794	FITTING, 3/8"NPT X 5/8"HB.....	1	S/N 9300062 AND ABOVE
19	Y0603325036	MINI BALL VALVE, MV608-8 .....	1	S/N 9300061 AND BELOW
19	Y0603325033	BALL VALVE, XV500CS-6-04 .....	1	S/N 9300062 AND ABOVE
20	Y0602012300	COVER, REAR WATER JACKET .....	1	52000188
21	Y0602040281	GASKET, REAR WATER JACKET .....	1	52000117
22	Y0603306467	FITTING, 1/4MPT X 1/4MPT 90 DEG.....	1	32500242
23	Y0603324540	LOCK-OFF LP, LIQUID 24V ECI .....	1	52500105
24	Y0601816490	TERMINAL 1/4" SPADE M18-22GA.....	2	33001072
25	Y0603306499	90 HOSE ADAPTER	2	
26	M3367000104	LP GAS HOSE, L=1950MM (76. 8")	1	
27	Y0605511394	MINI BALL VALVE, MV608-4	1	
28	M3414800204	LPG INLET PIPE .....	1	S/N 9300061 AND BELOW
28	M3414800214	LPG INLET PIPE .....	1	S/N 9300062 AND ABOVE
29	0603306798	PLUG, 1/4 NPT .....	1	S/N 9300061 AND BELOW
29	Y0603306794	PLUG, 1/2 NPT .....	1	S/N 9300062 AND ABOVE
30	0019208025	HEX. HEAD BOLT	2	
31	Y0603306679	TEE, STREET 3/8".....	1	32500336
32	Y0603306899	BUSHING, 3/8MPT X 1/8FPT.....	1	32500265
33	Y0605511369	DRAIN COCK, 1/8NPT .....	1	32501383
34	Y0602011170	HOSE, WATER 5/8", 60PSI, 1524MM (60") .....	1	30100120
35	0602022794	FITTING, 3/8"NPT-5/8" HB .....	1	32000625
36	Y0603325035	MINI BALL VALVE, MV608-6 .....	1	S/N 9300061 AND BELOW
36	Y0603325033	BALL VALVE, XV500CS-6-04 .....	1	S/N 9300062 AND ABOVE
37	Y0603306527	CONVERSION ADAPTER, M16-3/8" .....	1	S/N 9300081 AND BELOW
37	Y0603308210	CONVERSION ADAPTER, M18-3/8".....	1	S/N 9300082 AND ABOVE
38	Y0602022557	ADAPTER, 3/8 FF-S.....	1	S/N 9300062 ~ 9300081
38A	Y0603306335	PIPE NIPPLE, 5404N-06-3.5.....	1	S/N 9300082 AND ABOVE
39	Y0602022553	ADAPTER 1/2 X 3/8 FF-S.....	1	S/N 9300062 AND ABOVE
40	M3247701303	WIRE HARNESS, LPG .....	1	S/N 9300061 AND BELOW
40	M3247701313	WIRE HARNESS, LPG.....	1	S/N 9300062 AND ABOVE

# PARTS MANUAL

## HERE'S HOW TO GET HELP

PLEASE HAVE THE MODEL AND SERIAL  
NUMBER ON HAND WHEN CALLING

### UNITED STATES

#### *Multiquip Inc.*

(310) 537- 3700  
6141 Katella Avenue Suite 200  
Cypress, CA 90630  
E-MAIL: [mq@multiquip.com](mailto:mq@multiquip.com)  
WEBSITE: [www.multiquip.com](http://www.multiquip.com)

---

### CANADA

#### *Multiquip*

(450) 625-2244  
4110 Industriel Boul.  
Laval, Quebec, Canada H7L 6V3  
E-MAIL: [infocanada@multiquip.com](mailto:infocanada@multiquip.com)

### UNITED KINGDOM

#### *Multiquip (UK) Limited Head Office*

0161 339 2223  
Unit 2, Northpoint Industrial Estate, Globe Lane,  
Dukinfield, Cheshire SK16 4UJ  
E-MAIL: [sales@multiquip.co.uk](mailto:sales@multiquip.co.uk)

© COPYRIGHT 2023, MULTIQUIP INC.

Multiquip Inc, the MQ logo are registered trademarks of Multiquip Inc. and may not be used, reproduced, or altered without written permission. All other trademarks are the property of their respective owners and used with permission.

This manual MUST accompany the equipment at all times. This manual is considered a permanent part of the equipment and should remain with the unit if resold.

The information and specifications included in this publication were in effect at the time of approval for printing. Illustrations, descriptions, references and technical data contained in this manual are for guidance only and may not be considered as binding. Multiquip Inc. reserves the right to discontinue or change specifications, design or the information published in this publication at any time without notice and without incurring any obligations.

Manufactured for  
MQ Power Inc.  
by  
DENYO MANUFACTURING CORP.

