

P33/24 FR-FC-FCR— HRDRAULIC SCHEMATIC

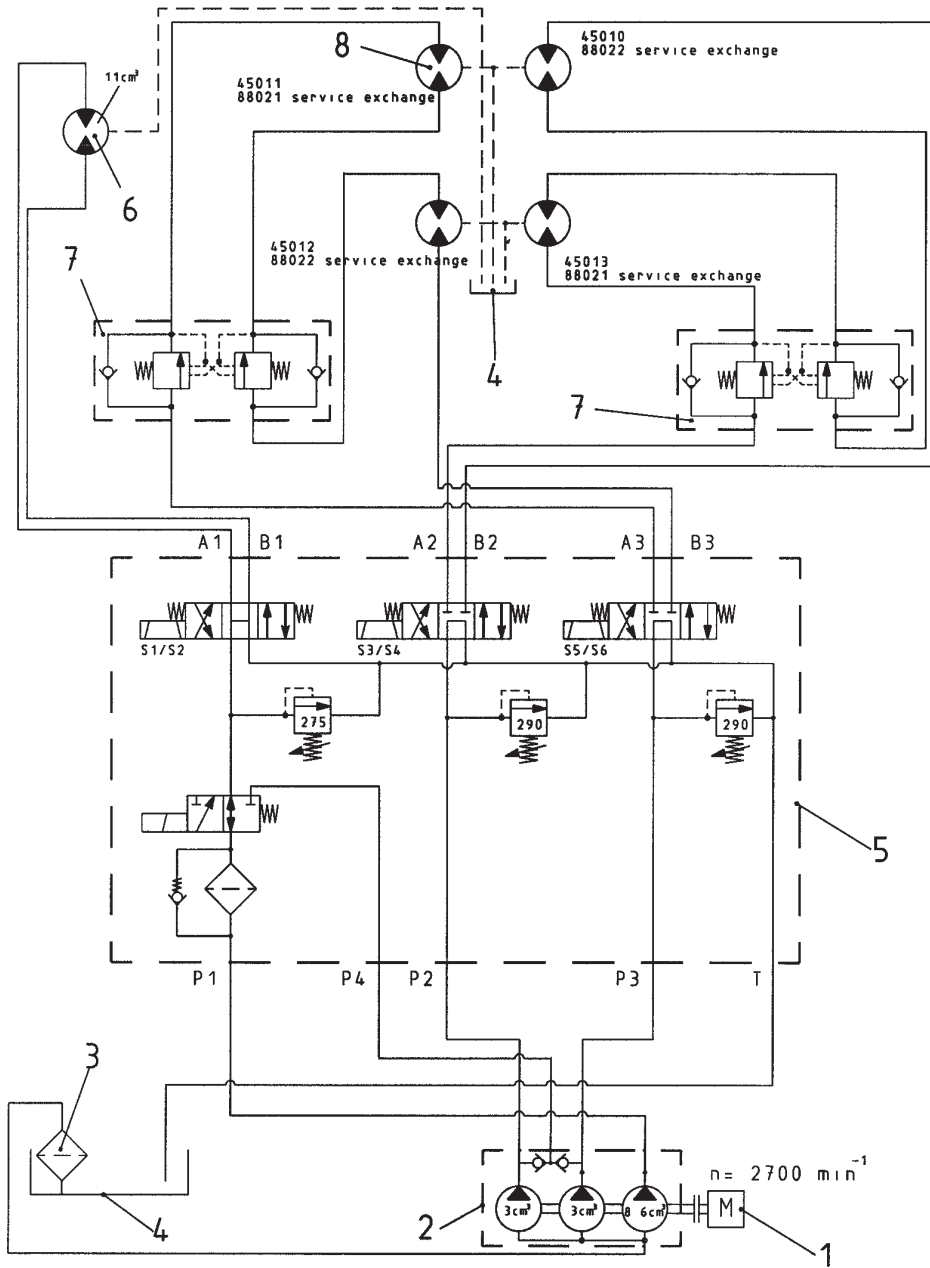


Table 1. Component Description

ITEM NO.	DESCRIPTION	ITEM NO.	DESCRIPTION
1	Diesel Engine	5	Valve
2	Hydraulic Pump	6	Gear Motor
3	Suction Filter	7	Countertorque Brake
4	Oil Tank	8	Hydraulic Motor