

# PARTS MANUAL



## **MODEL QP205SB HIGH-PRESSURE CENTRIFUGAL PUMP (VANGUARD 160 5.0 HP GASOLINE ENGINE)**

Revision #0 (04/28/23)

To find the latest revision of this publication or associated operation manual, visit our website at: [www.multiquip.com](http://www.multiquip.com)



THIS MANUAL MUST ACCOMPANY THE EQUIPMENT AT ALL TIMES.



**QP205SB Centrifugal Pump**

Explanation of Code in Remarks Column..... 4  
Suggested Spare Parts ..... 5

**Component Drawings**

Pump Assembly ..... 6-7  
Engine Service Parts ..... 8-9

**NOTICE**  
Specifications and part numbers are subject to change without notice.

# EXPLANATION OF CODE IN REMARKS COLUMN

The following section explains the different symbols and remarks used in the Parts section of this manual. Use the help numbers found on the back page of the manual if there are any questions.

**NOTICE**

The contents and part numbers listed in the parts section are subject to change **without notice**. Multiquip does not guarantee the availability of the parts listed.

## SAMPLE PARTS LIST

| NO. | PART NO. | PART NAME           | QTY. | REMARKS             |
|-----|----------|---------------------|------|---------------------|
| 1   | 12345    | BOLT.....           | 1    | INCLUDES ITEMS W/%  |
| 2%  |          | WASHER, 1/4 IN..... |      | NOT SOLD SEPARATELY |
| 2%  | 12347    | WASHER, 3/8 IN....  | 1    | MQ-45T ONLY         |
| 3   | 12348    | HOSE .....          | A/R  | MAKE LOCALLY        |
| 4   | 12349    | BEARING .....       | 1    | S/N 2345B AND ABOVE |

### NO. Column

**Unique Symbols** — All items with same unique symbol

(@, #, +, %, or >) in the number column belong to the same assembly or kit, which is indicated by a note in the “Remarks” column.

**Duplicate Item Numbers** — Duplicate numbers indicate multiple part numbers, which are in effect for the same general item, such as different size saw blade guards in use or a part that has been updated on newer versions of the same machine.

**NOTICE**

When ordering a part that has more than one item number listed, check the remarks column for help in determining the proper part to order.

### PART NO. Column

**Numbers Used** — Part numbers can be indicated by a number, a blank entry, or TBD.

TBD (To Be Determined) is generally used to show a part that has not been assigned a formal part number at the time of publication.

A blank entry generally indicates that the item is not sold separately or is not sold by Multiquip. Other entries will be clarified in the “Remarks” Column.

### QTY. Column

**Numbers Used** — Item quantity can be indicated by a number, a blank entry, or A/R.

A/R (As Required) is generally used for hoses or other parts that are sold in bulk and cut to length.

A blank entry generally indicates that the item is not sold separately. Other entries will be clarified in the “Remarks” Column.

### REMARKS Column

Some of the most common notes found in the “Remarks” Column are listed below. Other additional notes needed to describe the item can also be shown.

**Assembly/Kit** — All items on the parts list with the same unique symbol will be included when this item is purchased.

Indicated by:  
 “INCLUDES ITEMS W/(unique symbol)”

**Serial Number Break** — Used to list an effective serial number range where a particular part is used.

Indicated by:  
 “S/N XXXXX AND BELOW”  
 “S/N XXXX AND ABOVE”  
 “S/N XXXX TO S/N XXX”

**Specific Model Number Use** — Indicates that the part is used only with the specific model number or model number variant listed. It can also be used to show a part is NOT used on a specific model or model number variant.

Indicated by:  
 “XXXXX ONLY”  
 “NOT USED ON XXXX”

**“Make/Obtain Locally”** — Indicates that the part can be purchased at any hardware shop or made out of available items. Examples include battery cables, shims, and certain washers and nuts.

**“Not Sold Separately”** — Indicates that an item cannot be purchased as a separate item and is either part of an assembly/kit that can be purchased, or is not available for sale through Multiquip.

# SUGGESTED SPARE PARTS

## QP205SB CENTRIFUGAL PUMP WITH VANGUARD 10V3 GASOLINE ENGINE

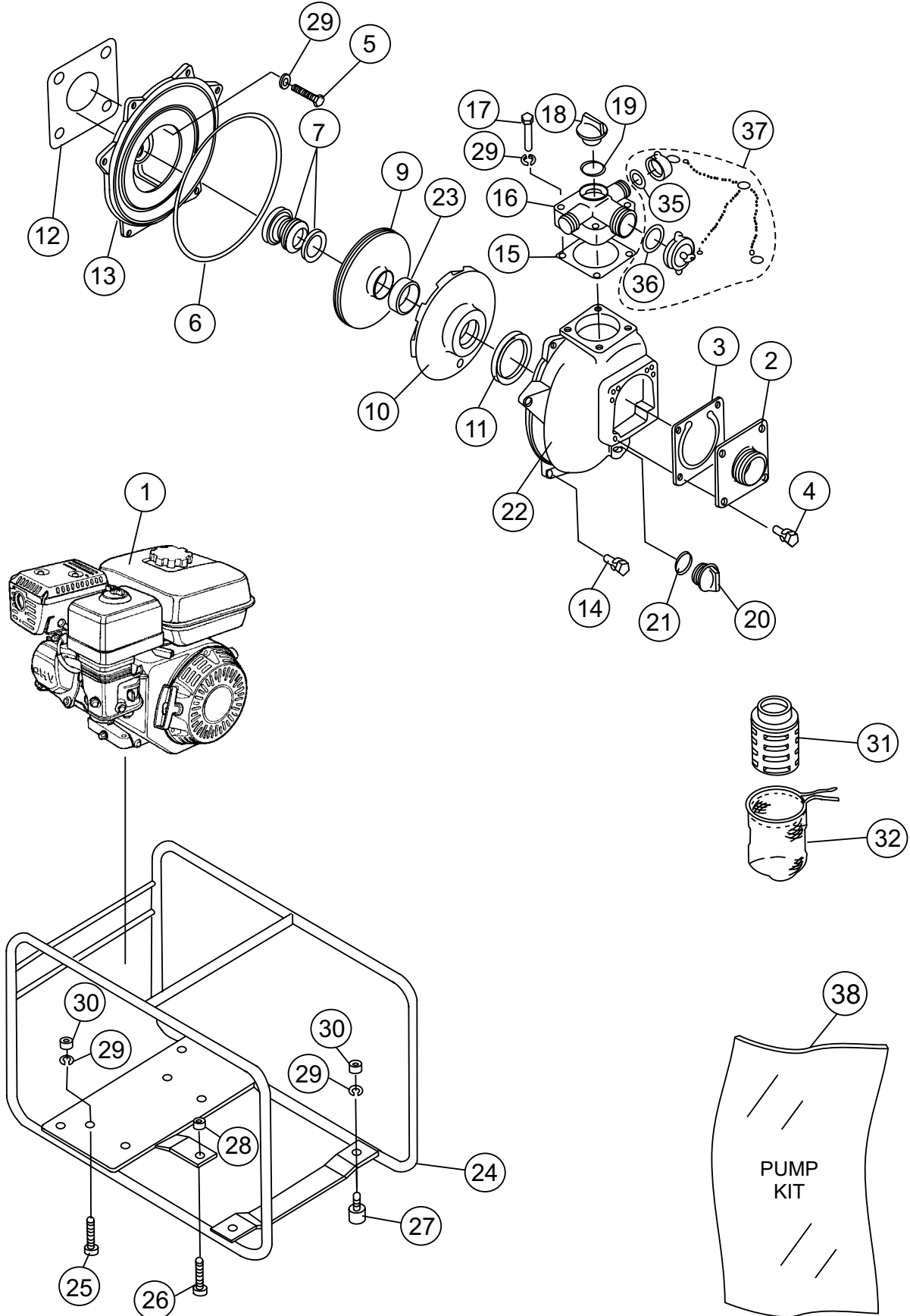
1 to 3 units

| Qty. | P/N         | Description                         |
|------|-------------|-------------------------------------|
| 2    | KIT205      | KIT, PUMP, MECHANICAL SEAL, O-RINGS |
| 2    | .0631211100 | DRAIN CAP, FLOODING                 |
| 2    | .0480350300 | O-RING, DRAIN CAP                   |
| 1    | .0808112320 | MECHANICAL SEAL                     |
| 1    | .0489352550 | O-RING, CASING                      |
| 1    | .1814060031 | IMPELLER                            |
| 2    | .84002309   | FILTER, A/C CARTRIDGE               |
| 2    | .597383     | SPARK PLUG                          |
| 1    | .597080     | GRIP, STARTER ROPE                  |
| 2    | .596772     | STARTER, REWIND (W/GRIP)            |
| 1    | .596765     | CAP, FUEL TANK                      |
| 1    | .792917     | FILTER, FUEL                        |

### NOTICE

Part numbers on this Suggested Spare Parts list may supersede/replace the part numbers shown in the following parts lists.

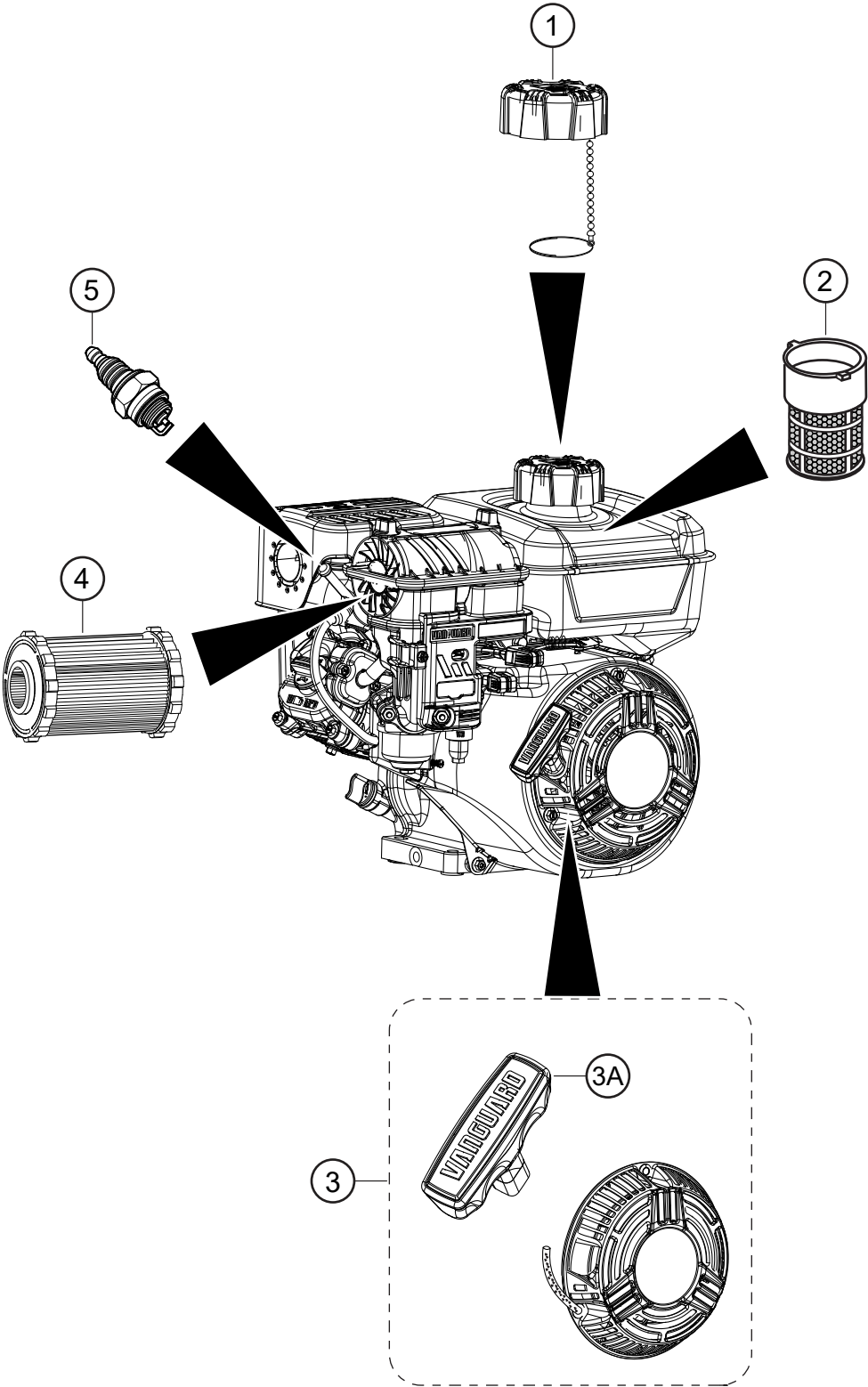
# PUMP ASSEMBLY



# PUMP ASSEMBLY

| <u>NO.</u> | <u>PART NO.</u> | <u>PART NAME</u>                                  | <u>QTY.</u> | <u>REMARKS</u>                          |
|------------|-----------------|---|-------------|---|
| 1          | 10V3            | ENGINE, VANGUARD                                  | 1           |   |
| 2          | 1814100160      | SUCTION COVER, NPT 2"                             | 1           |   |
| 3          | 1378350350      | CHECK VALVE                                       | 1           |   |
| 4          | 0181050825      | BOLT SET W/LOCK WASHER M8 X 25<br>(SUCTION COVER) | 4           |   |
| 5          | 0191150525      | BOLT 5/16" X 24UNF X 25, (CASING COVER)           | 4           |   |
| 6\$        | 0489352550      | O-RING, 3.5 X 255 (CASING)                        | 1           |   |
| 7\$        | 0808112320      | MECHANICAL SEAL .....                             | 1.....      | REPLACES P/N 0803112320<br>1 PC = 1 SET |
| 9          | 1814060031      | IMPELLER, 5/8-18" UNF                             | 1           |   |
| 10         | 1803100130      | VOLUTE CASING                                     | 1           |   |
| 11\$       | 1378330620      | VOLUTE CASING PACKING                             | 1           |   |
| 12         | 1211390610      | CASING COVER PACKING, 84 X 84                     | 1           |   |
| 13         | 9358100020      | CASING COVER                                      | 1           |   |
| 14         | 0181050825      | BOLT SET W/LOCK WASHER M8 X 25<br>(CASING)        | 6           |   |
| 15         | 1803330360      | DELIVERY COVER PACKING                            | 1           |   |
| 16         | 1814100091      | DELIVERY COVER (3-WAY OUTLET)                     | 1           |   |
| 17         | 0105050840      | BOLT, M8 X 40 (DELIVERY CAP)                      | 4           |   |
| 18         | 0631211100      | DRAIN CAP, FLOODING PF 1"                         | 1           |   |
| 19         | 0480350300      | O-RING, DRAIN CAP                                 | 1           |   |
| 20         | 0631211100      | DRAIN CAP, FLOODING PF 1"                         | 1           |   |
| 21         | 0480350300      | O-RING, DRAIN CAP                                 | 1           |   |
| 22         | 1814100010      | CASING  | 1           |   |
| 23\$       | 1803521221      | LINER RING  | 1           |   |
| 24         | 9803214010P002  | BASE  | 1           |   |
| 25         | 0105050840      | BOLT, M8 X 40 (ENGINE)                            | 4           |   |
| 26         | 0181050820      | BOLT SET W/LOCK WASHER, M8 X 20<br>(PUMP)         | 1           |   |
| 27         | 0723323040      | CUSHION RUBBER, 40H30M8                           | 4           |   |
| 28         | 0205450080      | NUT (PUMP)  | 1           |   |
| 29         | 0451250080      | WASHER, LOCK M8                                   | 8           |   |
| 30         | 0209150080      | NUT, FLANGE (ENGINE/CUSHION RUBBER)               | 8           |   |
| 31         | 0742303050      | STRAINER, NPT 2"                                  | 1           |   |
| 32         | 0920312013      | NYLON NET   | 1           |   |
| 35#        |                 | CHAIN CAP PACKING (SMALL 1")                      | 2           |   |
| 36#        |                 | CHAIN CAP PACKING (LARGE 1-1/2")                  | 1           |   |
| 37         | 1814209660ASSY  | BALL CHAIN W/CAP ASSY. ....                       | 1.....      | INCLUDES ITEMS W/#                      |
| 38         | KIT205          | KIT, PUMP .....                                   | 1.....      | INCLUDES ITEMS W/\$                     |

# ENGINE SERVICE PARTS





## ENGINE SERVICE PARTS

---

| <u>NO.</u> | <u>PART NO.</u> | <u>PART NAME</u>               | <u>QTY.</u> | <u>REMARKS</u>    |
|------------|-----------------|--------------------------------|-------------|-------------------|
| 1          | 596765          | CAP, FUEL TANK                 | 1           |                   |
| 2          | 792917          | FILTER, FUEL                   | 1           |                   |
| 3          | 596772          | STARTER, REWIND (W/GRIP) ..... | 1.....      | INCLUDES ITEM W/# |
| 3A#        | 597080          | GRIP, STARTER ROPE             | 1           |                   |
| 4          | 84002309        | FILTER, A/C CARTRIDGE          | 1           |                   |
| 5          | 597383          | SPARK PLUG                     | 1           |                   |

# PARTS MANUAL

## HERE'S HOW TO GET HELP

PLEASE HAVE THE MODEL AND SERIAL  
NUMBER ON-HAND WHEN CALLING

### UNITED STATES

#### *Multiquip Inc.*

(310) 537- 3700  
6141 Katella Avenue Suite 200  
Cypress, CA 90630  
E-MAIL: [mq@multiquip.com](mailto:mq@multiquip.com)  
WEBSITE: [www.multiquip.com](http://www.multiquip.com)

---

### CANADA

#### *Multiquip*

(450) 625-2244  
4110 Industriel Boul.  
Laval, Quebec, Canada H7L 6V3  
E-MAIL: [infocanada@multiquip.com](mailto:infocanada@multiquip.com)

### UNITED KINGDOM

#### *Multiquip (UK) Limited Head Office*

0161 339 2223  
Unit 2, Northpoint Industrial Estate, Globe Lane,  
Dukinfield, Cheshire SK16 4UJ  
E-MAIL: [sales@multiquip.co.uk](mailto:sales@multiquip.co.uk)

© COPYRIGHT 2023, MULTIQUIP INC.

Multiquip Inc, the MQ logo are registered trademarks of Multiquip Inc. and may not be used, reproduced, or altered without written permission. All other trademarks are the property of their respective owners and used with permission.

This manual MUST accompany the equipment at all times. This manual is considered a permanent part of the equipment and should remain with the unit if resold.

The information and specifications included in this publication were in effect at the time of approval for printing. Illustrations, descriptions, references and technical data contained in this manual are for guidance only and may not be considered as binding. Multiquip Inc. reserves the right to discontinue or change specifications, design or the information published in this publication at any time without notice and without incurring any obligations.

