

PARTS MANUAL



MODEL QP305SLT, QPT305SLT HIGH PRESSURE CENTRIFUGAL PUMPS (HONDA GX340K1PKT2/ GX340U1PKT2/GX340UT2PKT2 GASOLINE ENGINE)

Revision #5 (03/25/20)

To find the latest revision of this publication or associated operation manual, visit our website at: www.multiquip.com



THIS MANUAL MUST ACCOMPANY THE EQUIPMENT AT ALL TIMES.

QP305SLT/QPT305SLT Centrifugal Pumps

Table of Contents.....	2
Explanation of Code in Remarks Column.....	4
Suggested Spare Parts	5

Component Drawings

Pump Assembly.....	6-9
Engine Service Parts.....	10-11

NOTICE

Specifications and part numbers are subject to change without notice.

EXPLANATION OF CODE IN REMARKS COLUMN

The following section explains the different symbols and remarks used in the Parts section of this manual. Use the help numbers found on the back page of the manual if there are any questions.

NOTICE

The contents and part numbers listed in the parts section are subject to change **without notice**. Multiquip does not guarantee the availability of the parts listed.

SAMPLE PARTS LIST

NO.	PART NO.	PART NAME	QTY.	REMARKS
1	12345	BOLT	1	INCLUDES ITEMS W/%
2%		WASHER, 1/4 IN.		NOT SOLD SEPARATELY
2%	12347	WASHER, 3/8 IN. ...	1	MQ-45T ONLY
3	12348	HOSE	A/R	MAKE LOCALLY
4	12349	BEARING	1	S/N 2345B AND ABOVE

NO. Column

Unique Symbols — All items with same unique symbol (@, #, +, %, or >) in the number column belong to the same assembly or kit, which is indicated by a note in the “Remarks” column.

Duplicate Item Numbers — Duplicate numbers indicate multiple part numbers, which are in effect for the same general item, such as different size saw blade guards in use or a part that has been updated on newer versions of the same machine.

NOTICE

When ordering a part that has more than one item number listed, check the remarks column for help in determining the proper part to order.

PART NO. Column

Numbers Used — Part numbers can be indicated by a number, a blank entry, or TBD.

TBD (To Be Determined) is generally used to show a part that has not been assigned a formal part number at the time of publication.

A blank entry generally indicates that the item is not sold separately or is not sold by Multiquip. Other entries will be clarified in the “Remarks” Column.

QTY. Column

Numbers Used — Item quantity can be indicated by a number, a blank entry, or A/R.

A/R (As Required) is generally used for hoses or other parts that are sold in bulk and cut to length.

A blank entry generally indicates that the item is not sold separately. Other entries will be clarified in the “Remarks” Column.

REMARKS Column

Some of the most common notes found in the “Remarks” Column are listed below. Other additional notes needed to describe the item can also be shown.

Assembly/Kit — All items on the parts list with the same unique symbol will be included when this item is purchased.

Indicated by:

“INCLUDES ITEMS W/(unique symbol)”

Serial Number Break — Used to list an effective serial number range where a particular part is used.

Indicated by:

“S/N XXXXX AND BELOW”

“S/N XXXX AND ABOVE”

“S/N XXXX TO S/N XXX”

Specific Model Number Use — Indicates that the part is used only with the specific model number or model number variant listed. It can also be used to show a part is NOT used on a specific model or model number variant.

Indicated by:

“XXXXX ONLY”

“NOT USED ON XXXX”

“Make/Obtain Locally” — Indicates that the part can be purchased at any hardware shop or made out of available items. Examples include battery cables, shims, and certain washers and nuts.

“Not Sold Separately” — Indicates that an item cannot be purchased as a separate item and is either part of an assembly/kit that can be purchased, or is not available for sale through Multiquip.

SUGGESTED SPARE PARTS

QP305SLT/QPT305SLT CENTRIFUGAL PUMP WITH HONDA GX340K1PKT2/GX340U1PKT2/ GX340UT2PKT2 ENGINE

1 to 3 units

Qty.	P/N	Description
2	KIT305	KIT, PUMP, MECHANICAL SEAL, SLEEVE, O-RINGS
2	0631211100ASSY	DRAIN CAP, FLOODING W/ O-RING
1	1878000040	OPEN IMPELLER 2 (QP305SLT)
1	1878060030	CLOSED IMPELLER 1 (QP305SLT)
1	7207060040	CLOSED IMPELLER 2 (QPT305SLT)
1	7207060030	CLOSED IMPELLER 1 (QPT305SLT)
3	17210ZE3010	ELEMENT, AIR CLEANER
3	9807955846	SPARK PLUG
1	17620ZH7023	CAP, FUEL FILLER (GX340K1PKT2)
1	17620Z4H020	CAP, FUEL FILLER (GX340U1PKT2, GX340UT2PKT2)
1	17672ZE2W01	FILTER, FUEL (GX340K1PKT2)
1	17672Z4H000	FILTER, FUEL (GX340U1PKT2, GX340UT2PKT2)
1	28462ZE3W01	ROPE, RECOIL STARTER
1	17218ZE3000	FILTER, OUTER
2	1814209660ASSY	BALL CHAIN, W/ CAPS

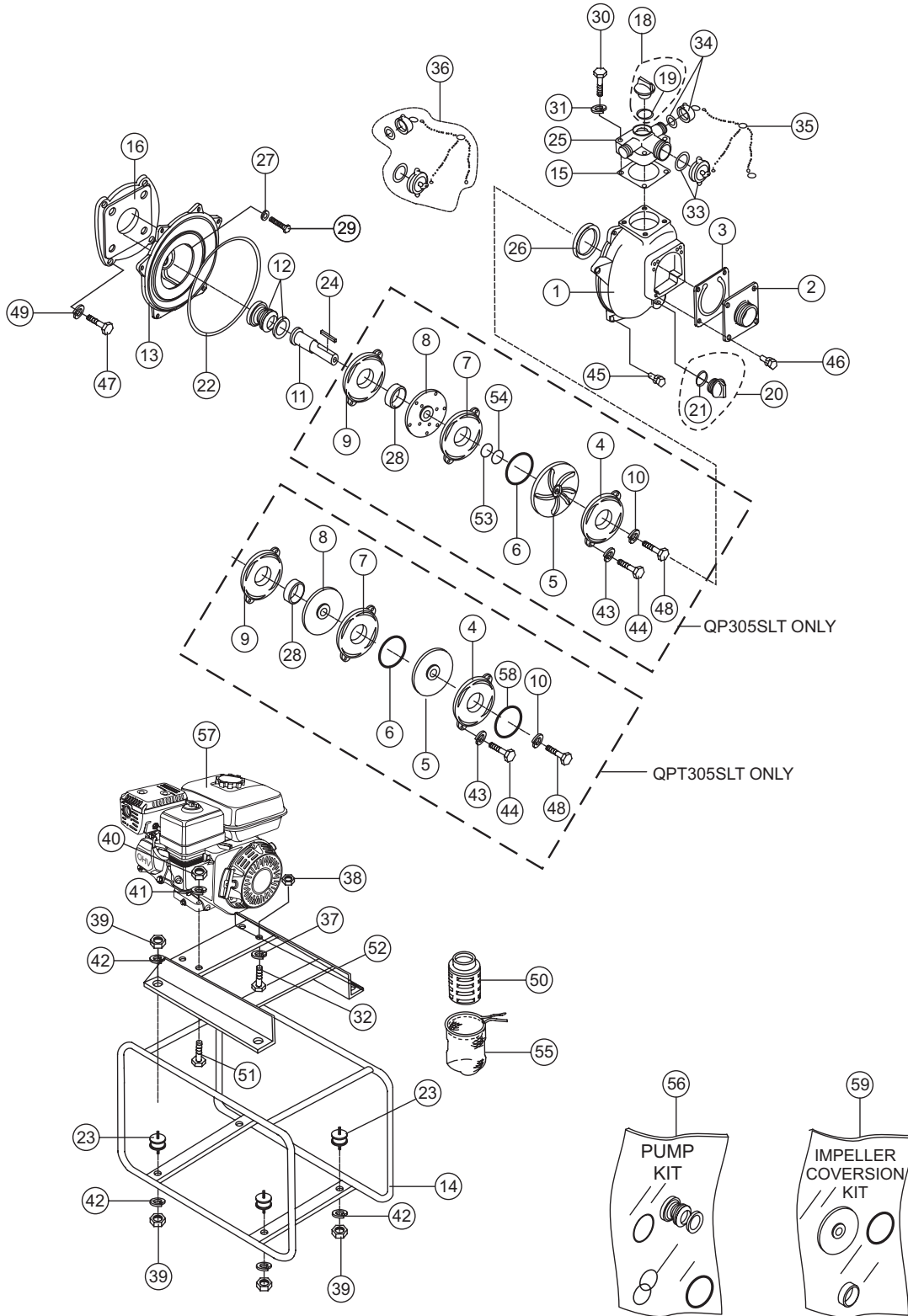
NOTICE

Part numbers on this Suggested Spare Parts list may supersede/replace the part numbers shown in the following parts lists.

PUMP ASSEMBLY

<u>NO.</u>	<u>PART NO.</u>	<u>PART NAME</u>	<u>QTY.</u>	<u>REMARKS</u>
1	1814100010	CASING	1	
2	13910001600014	SUCTION COVER, NPT 3"	1	
3	1378350350	CHECK VALVE	1	
4	1878060130	VOLUTE CASING.....	1.....	QP305SLT ONLY
4%	7207060130	VOLUTE CASING.....	1.....	QPT305SLT ONLY
5	1878000040	OPEN IMPELLER 2.....	1.....	QP305SLT ONLY
5%	7207060040	CLOSED IMPELLER.....	1.....	QPT305SLT ONLY
6%*	1878081290	LINER RING 2	1	
7	1878060110	VOLUTE CASING 2.....	1.....	QP305SLT ONLY
7%	7207060110	VOLUTE CASING 2.....	1.....	QPT305SLT ONLY
8	1878060030	CLOSED IMPELLER 1.....	1.....	QP305SLT ONLY
8%	7207060030	CLOSED IMPELLER 2.....	1.....	QPT305SLT ONLY
9	1878060120	VOLUTE CASING 3.....	1.....	QP305SLT ONLY
9%	7207060120	VOLUTE CASING 3.....	1.....	QPT305SLT ONLY
10	43592012400011	IMPELLER WASHER 34 X 9 X 4.5T.....		QP305SLT ONLY
10%	7207251240	IMPELLER WASHER 30 x 9 x 5T.....	1.....	QPT305SLT ONLY
11	1882221010	PUMP SHAFT	1	
12*	0803112930	MECHANICAL SEAL	1	
13	1988100020	CASING COVER	1	
14	1989214010P002	BASE	1	
15	1803330360	DELIVERY COVER PACKING	1	
16	43570006000014	CASING COVER SET PLATE	1	
18	0631211100ASSY	FLOODING CAP W/ O-RING.....	1.....	INCLUDES ITEM W/ #
19#	0480350300	O'RING (FLOODING CAP), P30	1	
20	0631211100ASSY	DRAIN CAP W/ O-RING.....	1.....	INCLUDES ITEM W/ &
21&	0480350300	O-RING (DRAIN CAP), P30	1	
22*	0489352550	O-RING (CASING) DIA.3.5 X 255	1	
23	0723302040	CUSHION RUBBER	4	
24	0510040443	KEY 1/4" X 1/4" X 43	1	
25	1814100090	DELIVERY COVER (3-WAY OUTLET).....	1.....	S/N 0551 AND BELOW
25	1814100091	DELIVERY COVER (3-WAY OUTLET).....	1.....	S/N 0552 AND ABOVE
26*%	0482200750	O-RING (VOLUTE CASING)	1	
27	0458220080	SEAL WASHER	4	
28*%	1803521220	LINER RING	1	

PUMP ASSEMBLY



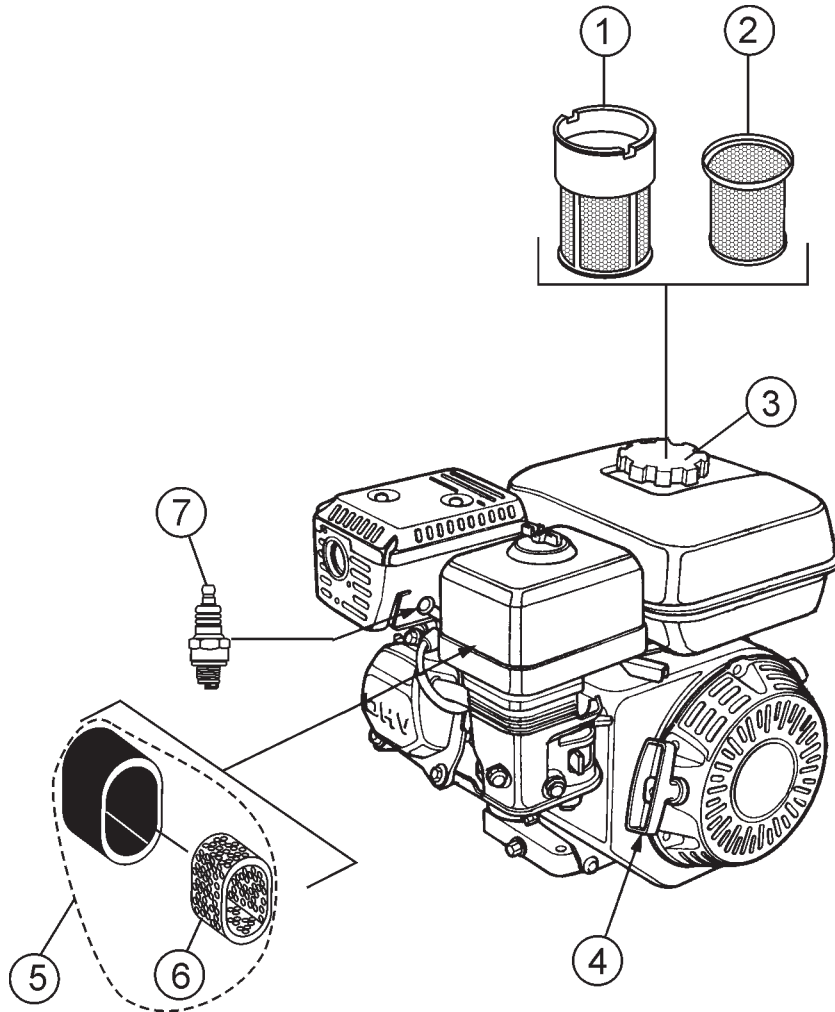
PUMP ASSEMBLY

<u>NO.</u>	<u>PART NO.</u>	<u>PART NAME</u>	<u>QTY.</u>	<u>REMARKS</u>
29	0105050820	BOLT M8 X 20	4	
30	0105050845	BOLT M8 X 45.....	4.....	S/N 305SLT-0551 AND BELOW
30	0105050840	BOLT M8X40.....	4.....	S/N 305SLT-0552 AND ABOVE
31	0451250080	SPRING WASHER M8	4	
32	0105050850	BOLT M8 X 50	1	
33\$		CAP, W/ WASHER	1.....	NOT SOLD SEPARATELY
34\$		CAP, W/ WASHER	1.....	NOT SOLD SEPARATELY
35\$		CHAINS, CAPS.....	3.....	NOT SOLD SEPARATELY
36	1814209660ASSY	BALL CHAIN W/ CAPS.....	1.....	INCLUDES ITEMS W/ \$
37	0451250080	SPRING WASHER M8	1	
38	0205450080	NUT M8	1	
39	0205450100	NUT M10	8	
40	0205450100	NUT M10	4	
41	0451250100	SPRING WASHER M10	4	
42	0451250100	SPRING WASHER M10	8	
43%	0451290060	SPRING WASHER M6	2	
44%	0105090640	BOLT M6 X 40	2	
45	0181050825	BOLT WITH SPRING WASHER M8 X 25	6	
46	0181050825	BOLT WITH SPRING WASHER M8 X 25	4	
47	0191160625	BOLT	4	
48	0181050820	BOLT SET WITH SPRING WASHER.....	1.....	QP305SLT ONLY
48%	0181090820	BOLT SET WITH SPRING WASHER.....	1.....	QPT305SLT ONLY
49	0451250100	SPRING WASHER	4	
50	0742303080	STRAINER	1	
51	0105051050	BOLT	4	
52	19882140210014	ENGINE BASE	1	
53*	0852834230	ADJUST LINER	1.....	QP305SLT ONLY
54*	0852854230	ADJUST LINER	1.....	QP305SLT ONLY
55	0920313014	NYLON NET	1	
56	KIT305	KIT, MECHANICAL SEAL, SLEEVE, O-RINGS.....	1.....	INCLUDES ITEMS W/ * QP305SLT ONLY
57	GX340K1PKT2	ENGINE, HONDA 9.5 HP	1.....	S/N 305SLT-0200 AND BELOW
57	GX340U1PKT2	ENGINE, HONDA 9.5 HP	1.....	S/N 305SLT-0201 TO 305SLT-0150
57	GX340UT2PKT2	ENGINE, HONDA 9.5 HP	1.....	S/N 305SLT-0151 AND ABOVE
58%	7207081300	LINER RING	1.....	QPT305SLT ONLY
59	7207990510	CONVERSION KIT, IMPELLER ASSY.....	1.....	INCLUDES ITEMS W/ % (SEE NOTICE BELOW)

NOTICE

Item 59, Conversion Kit, Part Number 7207990510, is to upgrade a QP305SLT to a QPT305SLT pump.

ENGINE SERVICE PARTS



ENGINE SERVICE PARTS

<u>NO.</u>	<u>PART NO.</u>	<u>PART NAME</u>	<u>QTY.</u>	<u>REMARKS</u>
1	17672ZE2W01	FILTER, FUEL.....	1.....	GX340K1PKT2
2	17672Z4H000	FILTER, FUEL.....		GX340U1PKT2, GX340UT2PKT2
3	17620ZH7023	CAP, WITH GASKET FUEL FILLER	1.....	GX340K1PKT2
3	17620Z4H020	CAP, WITH GASKET FUEL FILLER	1.....	GX340U1PKT2, GX340UT2PKT2
4	28462ZE3W01	ROPE, RECOIL STARTER	1	
5	17210ZE3010	ELEMENT, AIR CLEANER	1.....	INCLUDES ITEM W/ #
6#	17218ZE3000	FILTER, OUTER	1	
7	9807956846	SPARK PLUG	1	

PARTS MANUAL

HERE'S HOW TO GET HELP

PLEASE HAVE THE MODEL AND SERIAL
NUMBER ON-HAND WHEN CALLING

UNITED STATES

Multiquip Inc.

(310) 537- 3700
6141 Katella Avenue Suite 200
Cypress, CA 90630
E-MAIL: mq@multiquip.com
WEBSITE: www.multiquip.com

CANADA

Multiquip

(450) 625-2244
4110 Industriel Boul.
Laval, Quebec, Canada H7L 6V3
E-MAIL: infocanada@multiquip.com

UNITED KINGDOM

Multiquip (UK) Limited Head Office

0161 339 2223
Unit 2, Northpoint Industrial Estate,
Globe Lane,
Dukinfield, Cheshire SK16 4UJ
E-MAIL: sales@multiquip.co.uk

© COPYRIGHT 2020, MULTIQUIP INC.

Multiquip Inc, the MQ logo are registered trademarks of Multiquip Inc. and may not be used, reproduced, or altered without written permission. All other trademarks are the property of their respective owners and used with permission.

This manual MUST accompany the equipment at all times. This manual is considered a permanent part of the equipment and should remain with the unit if resold.

The information and specifications included in this publication were in effect at the time of approval for printing. Illustrations, descriptions, references and technical data contained in this manual are for guidance only and may not be considered as binding. Multiquip Inc. reserves the right to discontinue or change specifications, design or the information published in this publication at any time without notice and without incurring any obligations.

