

PARTS MANUAL



MODEL QP3TB TRASH PUMP (VANGUARD 19L2 10.0 HP GASOLINE ENGINE)

Revision #0 (04/28/23)

To find the latest revision of this publication or associated operation manual, visit our website at: www.multiquip.com



THIS MANUAL MUST ACCOMPANY THE EQUIPMENT AT ALL TIMES.

QP3TB Trash Pump

Explanation Of Code In Remarks Column..... 4
Suggested Spare Parts 5

Component Drawings

Pump Assembly 6-9
Engine Service Parts 10-11

NOTICE
Specifications and part numbers are subject to change without notice.

EXPLANATION OF CODE IN REMARKS COLUMN

The following section explains the different symbols and remarks used in the Parts section of this manual. Use the help numbers found on the back page of the manual if there are any questions.

NOTICE

The contents and part numbers listed in the parts section are subject to change **without notice**. Multiquip does not guarantee the availability of the parts listed.

SAMPLE PARTS LIST

NO.	PART NO.	PART NAME	QTY.	REMARKS
1	12345	BOLT.....	1	INCLUDES ITEMS W/%
2%		WASHER, 1/4 IN.....		NOT SOLD SEPARATELY
2%	12347	WASHER, 3/8 IN....	1	MQ-45T ONLY
3	12348	HOSE		A/R ...MAKE LOCALLY
4	12349	BEARING	1	S/N 2345B AND ABOVE

NO. Column

Unique Symbols — All items with same unique symbol

(@, #, +, %, or >) in the number column belong to the same assembly or kit, which is indicated by a note in the “Remarks” column.

Duplicate Item Numbers — Duplicate numbers indicate multiple part numbers, which are in effect for the same general item, such as different size saw blade guards in use or a part that has been updated on newer versions of the same machine.

NOTICE

When ordering a part that has more than one item number listed, check the remarks column for help in determining the proper part to order.

PART NO. Column

Numbers Used — Part numbers can be indicated by a number, a blank entry, or TBD.

TBD (To Be Determined) is generally used to show a part that has not been assigned a formal part number at the time of publication.

A blank entry generally indicates that the item is not sold separately or is not sold by Multiquip. Other entries will be clarified in the “Remarks” Column.

QTY. Column

Numbers Used — Item quantity can be indicated by a number, a blank entry, or A/R.

A/R (As Required) is generally used for hoses or other parts that are sold in bulk and cut to length.

A blank entry generally indicates that the item is not sold separately. Other entries will be clarified in the “Remarks” Column.

REMARKS Column

Some of the most common notes found in the “Remarks” Column are listed below. Other additional notes needed to describe the item can also be shown.

Assembly/Kit — All items on the parts list with the same unique symbol will be included when this item is purchased.

Indicated by:

“INCLUDES ITEMS W/(unique symbol)”

Serial Number Break — Used to list an effective serial number range where a particular part is used.

Indicated by:

“S/N XXXXX AND BELOW”

“S/N XXXX AND ABOVE”

“S/N XXXX TO S/N XXX”

Specific Model Number Use — Indicates that the part is used only with the specific model number or model number variant listed. It can also be used to show a part is NOT used on a specific model or model number variant.

Indicated by:

“XXXXX ONLY”

“NOT USED ON XXXX”

“Make/Obtain Locally” — Indicates that the part can be purchased at any hardware shop or made out of available items. Examples include battery cables, shims, and certain washers and nuts.

“Not Sold Separately” — Indicates that an item cannot be purchased as a separate item and is either part of an assembly/kit that can be purchased, or is not available for sale through Multiquip.

SUGGESTED SPARE PARTS

QP3TB TRASH PUMP WITH VANGUARD 19L2 GASOLINE ENGINE

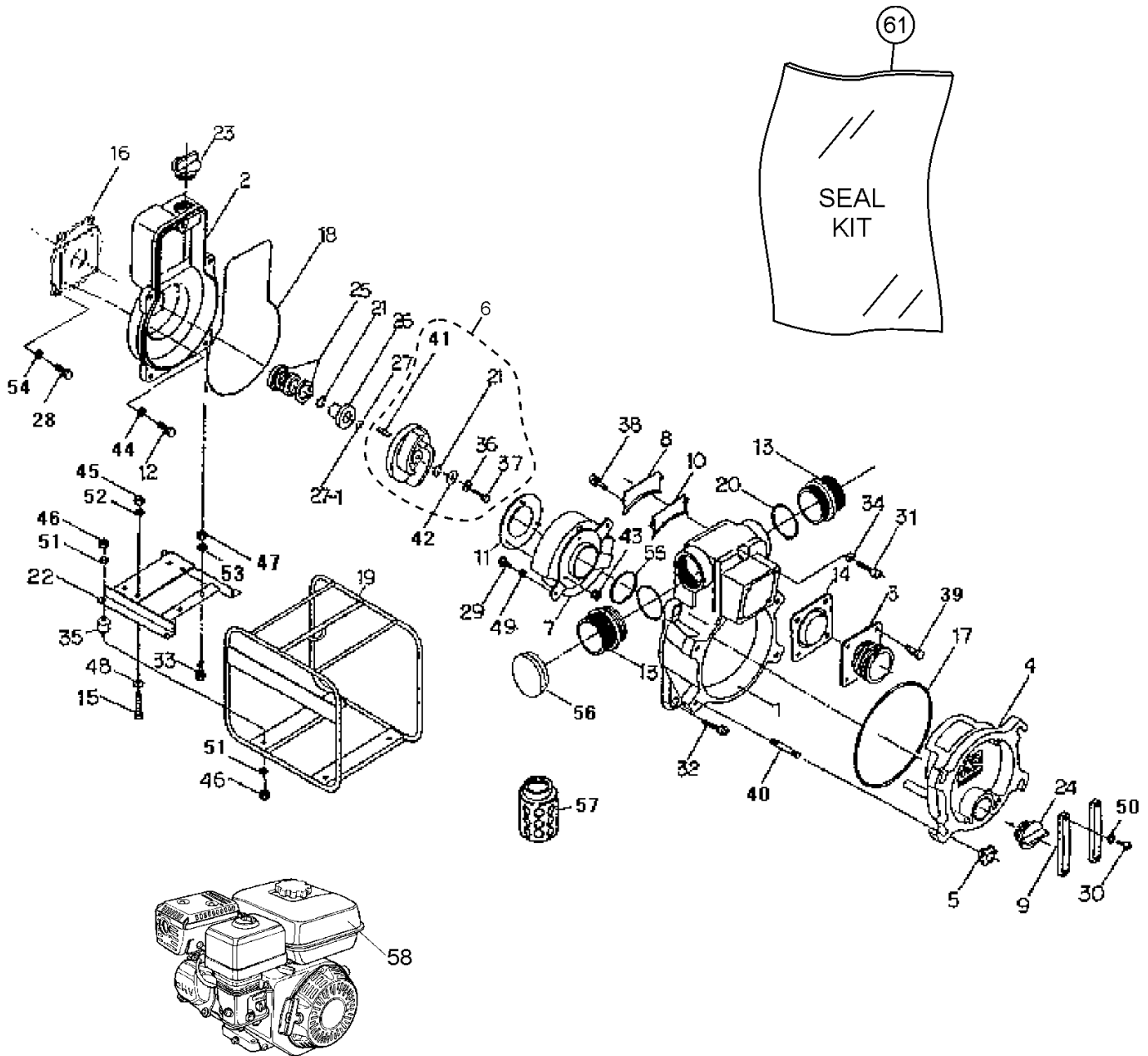
1 to 3 units

Qty.	P/N	Description
1	TBD	IMPELLER KIT
1	.0811885446	MECHANICAL SEAL SLEEVE
2	.0803442930	MECHANICAL SEAL
2	.0631211159	CAP, FLOODING
2	.0483602250	O-RING, DRAIN COVER
2	.0489403400	O-RING, CASING
2	.0482200240	O-RING, MECHANICAL SEAL SLEEVE
4	.0852834525	ADJUST LINER .30
4	.0852854525	ADJUST LINER .50
1	.797032	FILTER, A/C CARTRIDGE
2	.798795	FILTER, PRE CLEANER
3	.691043	SPARK PLUG
1	.594738	STARTER REWIND
1	.693389	ROPE, STARTER
1	.490652	GRIP STARTER ROPE
1	.799324	CAP, FUEL TANK

NOTICE

Part numbers on this Suggested Spare Parts list may supersede/replace the part numbers shown in the following parts lists.

PUMP ASSEMBLY



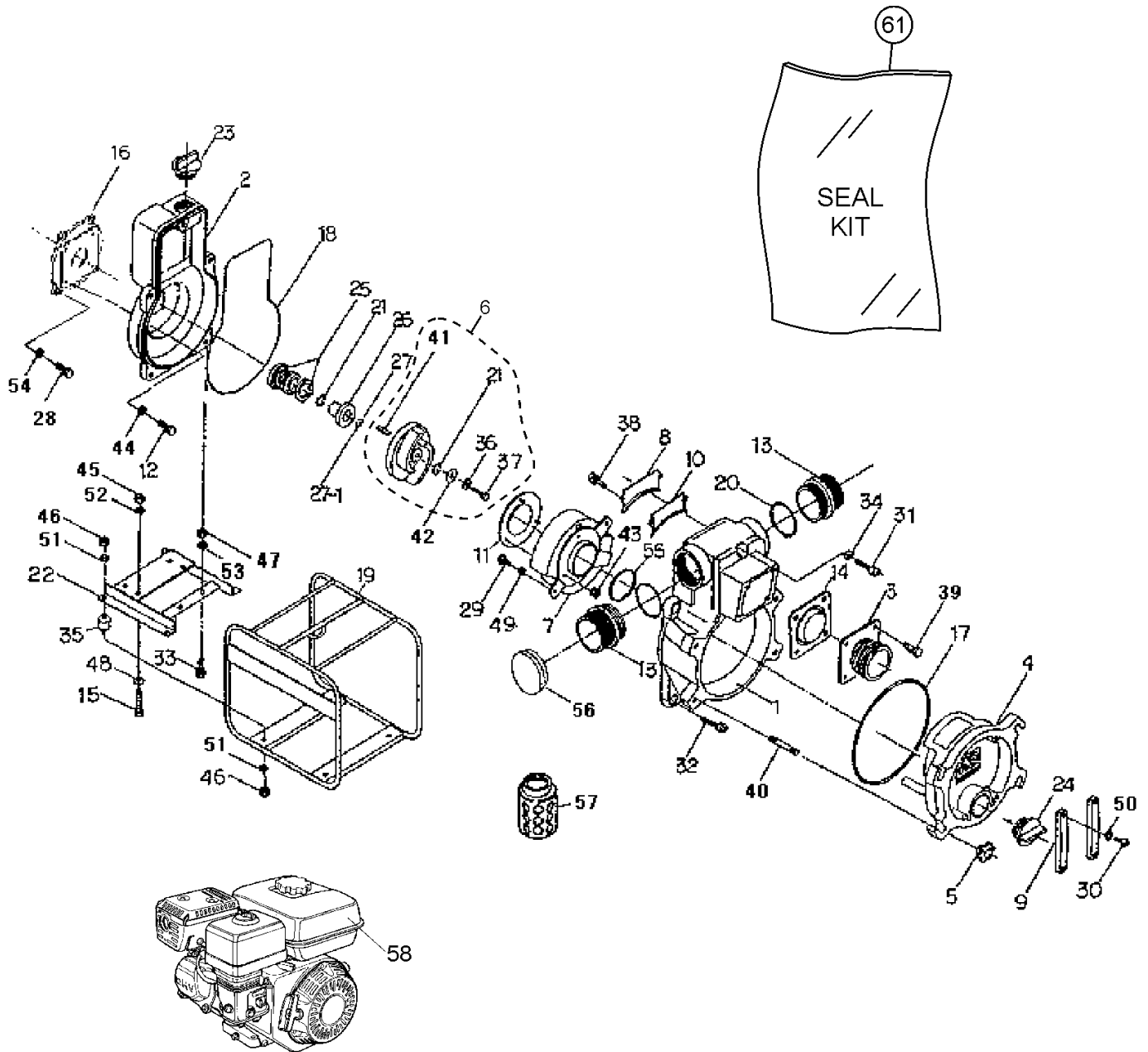
PUMP ASSEMBLY

<u>NO.</u>	<u>PART NO.</u>	<u>PART NAME</u>	<u>QTY.</u>	<u>REMARKS</u>
1	1992100011	CASING	1	
2	1992100020	CASING COVER	1	
3	13910001600014	SUCTION COVER	1	
4	1992100173	DRAIN COVER.....	1.....	REPLACES P/N 1992100171
5	19920002200014	DRAIN COVER HANDLE	4	
6	TBD	IMPELLER KIT.....	1.....	INCLUDES ITEMS W/#
7	1992000110	VOLUTE CASING.....	1.....	REPLACES P/N 1992000133
8	1992100742	SUCTION PLATE	1	
9	1247100250	DRAIN COVER SET HANDLE	2	
10	1992330410	SUCTION PLATE PACKING	1	
11	1992250700	WEAR PLATE	1	
12	0105090820	BOLT (CASING COVER), M8 X 20	4	
13	07904330300014	NIPPLE, NPS3" X NPT3"	2	
14	1378350350	CHECK VALVE	1	
15	0105090840	BOLT (ENGINE)	4	
16	43130006000014	CASING COVER SET PLATE	1	
17@	0483602250	O-RING (DRAIN COVER)	1	
18	0489403400	O-RING (CASING), 4 X 340 MM	1	
19	9398214010P002	BASE, SS400	1	
20	0481310800	O-RING (NIPPLE)	2	
21#@	0482200240	O-RING, IMPELLER, MECH. SEAL.....	2.....	SEE NOTE BELOW
22	93982140200014	ENGINE BASE, SS400	1	
23	0631211159	FLOODING CAP, PF1-1/2"	1	
24	0631211159	DRAIN CAP, PF1-1/2"	1	
25@	0803442930	MECHANICAL SEAL	1	
26@	0811885446	MECHANICAL SEAL SLEEVE, DIA. 30MM	1	
27@	0852834525	ADJUST LINER DIA. 45 X 25.4 MM TO .3	1	
27-1@	0852854525	ADJUST LINER DIA. 45 X 25.4 MM TO .5	1	
28	0191170625	BOLT (CASING COVER SET PLATE)	4	
29	0131190823	SCREW (VOLUTE CASING) M8 X 22.....	4.....	REPLACES P/N 0141090820
30	0141090825	SCREW (DRAIN CVR. SET HANDLE) M8 X 254		
31	0131191290	CAP SCREW (CASING), M12 X 90	1	
32	0131191235	CAP SCREW (CASING), M12 X 35	4	
33	0105091035	BOLT (PUMP)	2	
34	0459220120	SEAL WASHER (CASING) M12	1	
35	0723302040	CUSHION RUBBER, 40 X 20 M10	4	
36#	0458220100	SEAL WASHER, IMPELLER	1	
37#	0191190744	BOLT, (IMPELLER)	1	

NOTICE

Item 21, o-ring, is included in impeller kit, item 6. When ordered as part of the kit, quantity of o-ring is one. Replacement of impeller requires two o-rings, so it is necessary to order one additional o-ring.

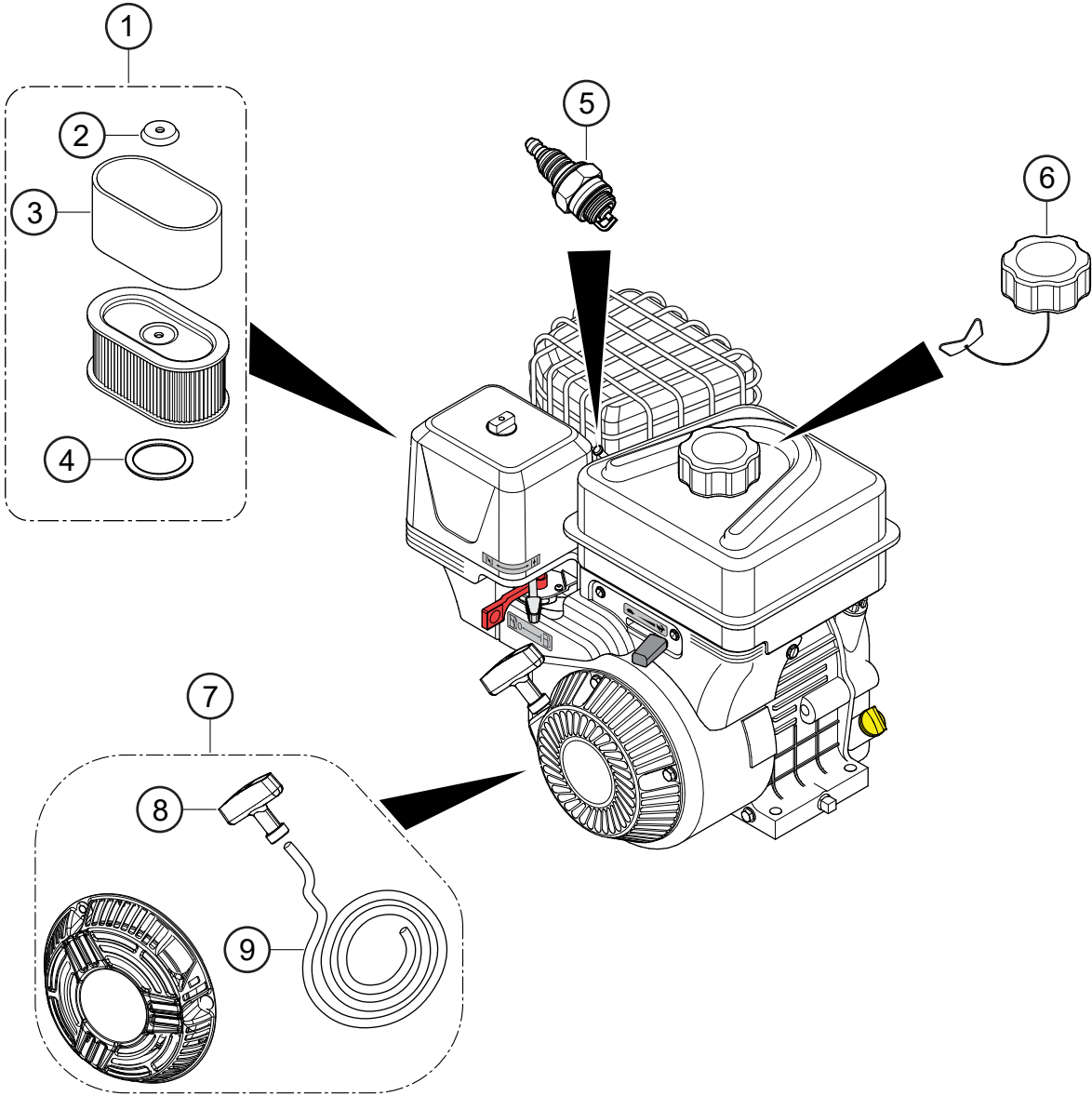
PUMP ASSEMBLY (CONT'D.)



PUMP ASSEMBLY (CONT'D.)

<u>NO.</u>	<u>PART NO.</u>	<u>PART NAME</u>	<u>QTY.</u>	<u>REMARKS</u>
38	0181090820	BOLT SET W/LOCK WASHER M8 X 20 (SUCTION PLATE)	2	
39	0181090825	BOLT SET W/LOCK WASHER M8 X 25 (SUCTION COVER)	4	
40	0151191257	STUD BOLT, (DRAIN COVER HANDLE) M12 X 57 X15 X 22	4	
41#	0520040431	KEY, IMPELLER	1	
42	43342012400011	IMPELLER WASHER, DIA. 42 X 12 MM T4.5	1	
43	0204490060	U-NUT, WEAR PLATE M6	3	
44	0458220080	SEAL, WASHER (CASING COVER) M8	4	
45	0205490080	NUT, (ENGINE) M10	4	
46	0205490100	NUT, (CUSHION RUBBER) M10	8	
47	0205490100	NUT, (PUMP) M10	2	
48	0401650080	WASHER, (ENGINE) M10	8	
49	0451290080	LOCK WASHER (VOLUTE CASING) M8	4	
50	0451290080	LOCK WASHER (DRAIN COVER SET HANDLE) M8	4	
51	0451290100	LOCK WASHER, (CUSHION RUBBER) M10	8	
52	0451290080	LOCK WASHER, (ENGINE) M10	4	
53	0451290100	LOCK WASHER, (PUMP) M10	2	
54	0451290100	LOCK WASHER, (CASING COVER SET PLATE) M10	4	
55	0480570850	O-RING, (VOLUTE CASING)	1	
56	1992108050	CAP	1	
57	0742214080	STRAINER	1	
58	19L2	ENGINE, VANGUARD 10 HP	1	
61	KIT3TE	MECHANICAL SEAL, SLEEVE AND O-RINGS.1.....INCLUDES ITEMS W/@ KIT		

ENGINE SERVICE PARTS



ENGINE SERVICE PARTS

<u>NO.</u>	<u>PART NO.</u>	<u>PART NAME</u>	<u>QTY.</u>	<u>REMARKS</u>
1	797032	FILTER, A/C CARTRIDGE	1.....	INCLUDES ITEMS W/#
2#	798505	WASHER, SEALING	1	
3#	798795	FILTER, PRE CLEANER	1	
4#	798965	SEAL, O-RING	1	
5	691043	SPARK PLUG	1	
6	799324	CAP, FUEL TANK	1	
7	594738	STARTER, REWIND	1.....	INCLUDES ITEMS W/%
8%	490652	GRIP, STARTER ROPE	1	
9%	693389	ROPE, STARTER	1.....	CUT TO REQUIRED LENGTH

PARTS MANUAL

HERE'S HOW TO GET HELP

PLEASE HAVE THE MODEL AND SERIAL
NUMBER ON-HAND WHEN CALLING

UNITED STATES

Multiquip Inc.

(310) 537- 3700
6141 Katella Avenue Suite 200
Cypress, CA 90630
E-MAIL: mq@multiquip.com
WEBSITE: www.multiquip.com

CANADA

Multiquip

(450) 625-2244
4110 Industriel Boul.
Laval, Quebec, Canada H7L 6V3
E-MAIL: infocanada@multiquip.com

UNITED KINGDOM

Multiquip (UK) Limited Head Office

0161 339 2223
Unit 2, Northpoint Industrial Estate, Globe Lane,
Dukinfield, Cheshire SK16 4UJ
E-MAIL: sales@multiquip.co.uk

© COPYRIGHT 2023, MULTIQUIP INC.

Multiquip Inc, the MQ logo are registered trademarks of Multiquip Inc. and may not be used, reproduced, or altered without written permission. All other trademarks are the property of their respective owners and used with permission.

This manual MUST accompany the equipment at all times. This manual is considered a permanent part of the equipment and should remain with the unit if resold.

The information and specifications included in this publication were in effect at the time of approval for printing. Illustrations, descriptions, references and technical data contained in this manual are for guidance only and may not be considered as binding. Multiquip Inc. reserves the right to discontinue or change specifications, design or the information published in this publication at any time without notice and without incurring any obligations.

