

PARTS MANUAL



MODEL QP402B CENTRIFUGAL PUMP (VANGUARD 19L2 10.0 HP GASOLINE ENGINE)

Revision #0 (11/13/23)

To find the latest revision of this publication or associated operation manual, visit our website at: www.multiquip.com



THIS MANUAL MUST ACCOMPANY THE EQUIPMENT AT ALL TIMES.

TABLE OF CONTENTS

QP402B Centrifugal Pump

Explanation Of Code In Remarks Column..... 4
Suggested Spare Parts 5

Component Drawings

Pump Assembly 6-7
Engine Service Parts 8-9

NOTICE
Specifications and part numbers are subject to change without notice.

EXPLANATION OF CODE IN REMARKS COLUMN

The following section explains the different symbols and remarks used in the Parts section of this manual. Use the help numbers found on the back page of the manual if there are any questions.

NOTICE

The contents and part numbers listed in the parts section are subject to change without notice. Multiquip does not guarantee the availability of the parts listed.

SAMPLE PARTS LIST

NO.	PART NO.	PART NAME	QTY.	REMARKS
1	12345	BOLT	1	INCLUDES ITEMS W/%
2%		WASHER, 1/4 IN.		NOT SOLD SEPARATELY
2%	12347	WASHER, 3/8 IN. ...	1	MQ-45T ONLY
3	12348	HOSE	A/R	MAKE LOCALLY
4	12349	BEARING	1	S/N 2345B AND ABOVE

NO. Column

Unique Symbols — All items with same unique symbol (@, #, +, %, or >) in the number column belong to the same assembly or kit, which is indicated by a note in the “Remarks” column.

Duplicate Item Numbers — Duplicate numbers indicate multiple part numbers, which are in effect for the same general item, such as different size saw blade guards in use or a part that has been updated on newer versions of the same machine.

NOTICE

When ordering a part that has more than one item number listed, check the remarks column for help in determining the proper part to order.

PART NO. Column

Numbers Used — Part numbers can be indicated by a number, a blank entry, or TBD.

TBD (To Be Determined) is generally used to show a part that has not been assigned a formal part number at the time of publication.

A blank entry generally indicates that the item is not sold separately or is not sold by Multiquip. Other entries will be clarified in the “Remarks” Column.

QTY. Column

Numbers Used — Item quantity can be indicated by a number, a blank entry, or A/R.

A/R (As Required) is generally used for hoses or other parts that are sold in bulk and cut to length.

A blank entry generally indicates that the item is not sold separately. Other entries will be clarified in the “Remarks” Column.

REMARKS Column

Some of the most common notes found in the “Remarks” Column are listed below. Other additional notes needed to describe the item can also be shown.

Assembly/Kit — All items on the parts list with the same unique symbol will be included when this item is purchased.

Indicated by:

“INCLUDES ITEMS W/(unique symbol)”

Serial Number Break — Used to list an effective serial number range where a particular part is used.

Indicated by:

“S/N XXXXX AND BELOW”

“S/N XXXX AND ABOVE”

“S/N XXXX TO S/N XXX”

Specific Model Number Use — Indicates that the part is used only with the specific model number or model number variant listed. It can also be used to show a part is NOT used on a specific model or model number variant.

Indicated by:

“XXXXX ONLY”

“NOT USED ON XXXX”

“Make/Obtain Locally” — Indicates that the part can be purchased at any hardware shop or made out of available items. Examples include battery cables, shims, and certain washers and nuts.

“Not Sold Separately” — Indicates that an item cannot be purchased as a separate item and is either part of an assembly/kit that can be purchased, or is not available for sale through Multiquip.

SUGGESTED SPARE PARTS

QP402B CENTRIFUGAL PUMP WITH VANGUARD 19L2 GASOLINE ENGINE

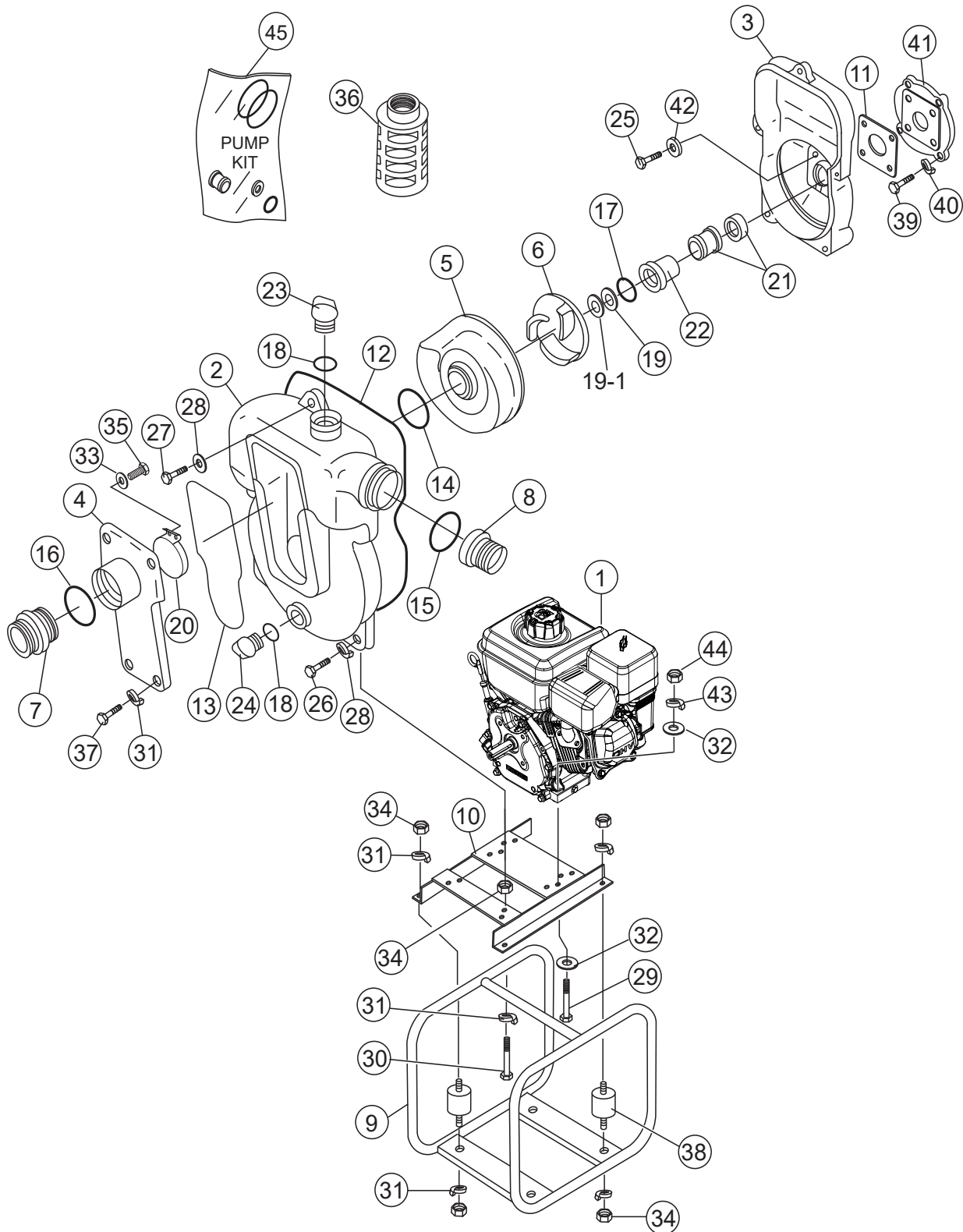
1 to 3 units

Qty.	P/N	Description
2	KIT402H	KIT, PUMP, MECHANICAL SEAL, SLEEVE, O-RINGS
2	.0631211100	DRAIN CAP, FLOODING W/O-RING
2	.0480350300	O-RING DRAIN CAP
1	.0481310950	O-RING, VOLUTE CASING
1	.0489353850	O-RING, CASING
1	.1424000030	IMPELLER
2	.797032	FILTER, A/C CARTRIDGE
3	Q16PRU11	SPARK PLUG
1	.66574	ROPE, STARTER
1	.799324	CAP, TANK

NOTICE

Part numbers on this Suggested Spare Parts list may supersede/replace the part numbers shown in the following parts lists.

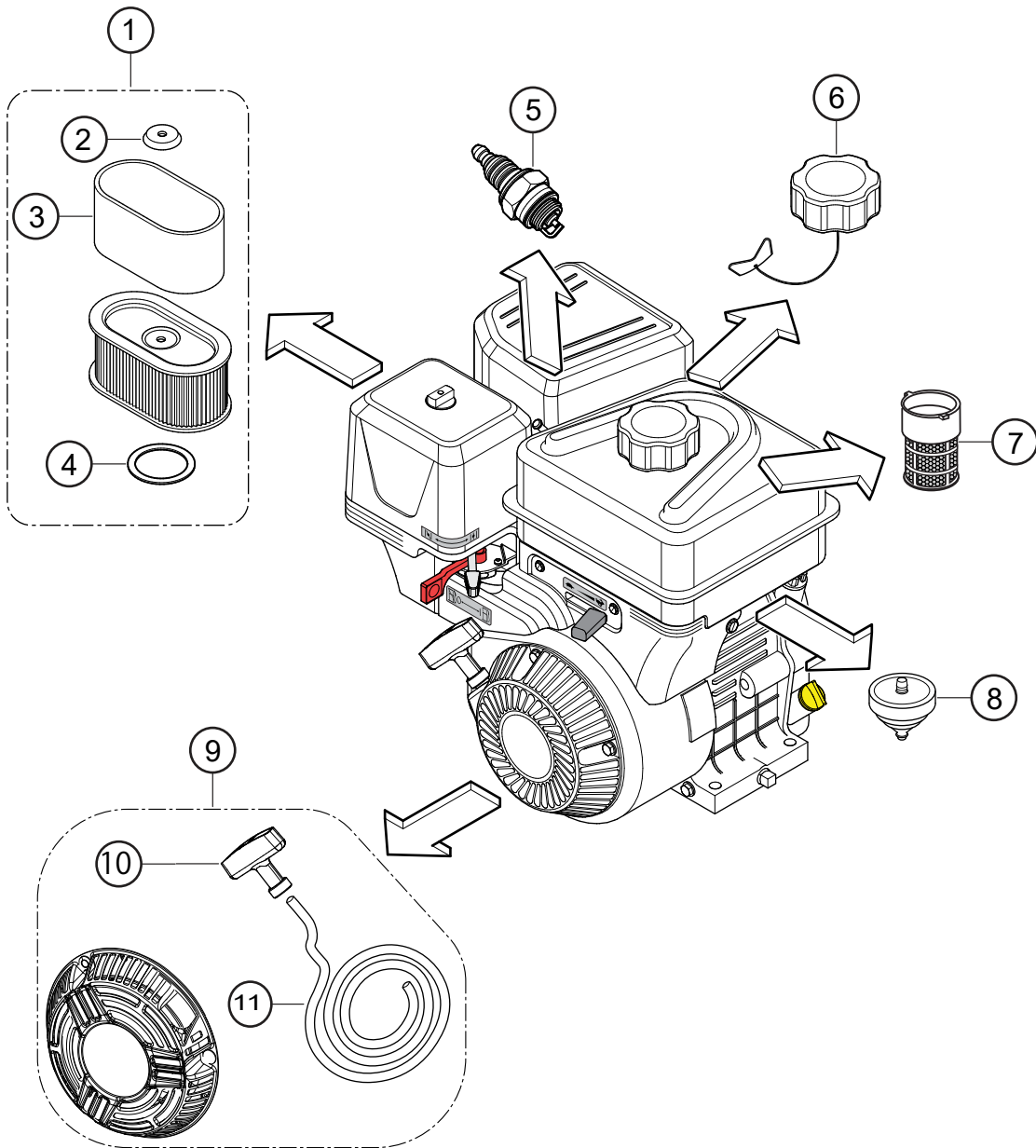
PUMP ASSEMBLY



PUMP ASSEMBLY

<u>NO.</u>	<u>PART NO.</u>	<u>PART NAME</u>	<u>QTY.</u>	<u>REMARKS</u>
1	19L2320120F1	ENGINE, VANGUARD 10 HP	1	
2	9430100010	CASING	1	
3	9430100020	CASING COVER	1	
4	9430100160	SUCTION COVER	1	
5	9430000130	VOLUTE CASING	1	
6	1424000030	IMPELLER	1	
7	07904340400014	NIPPLE, NPS4"XNPT4"	1	
8	07989340400014	SOCKET, M100XNPT4"	1	
9	9451214010P002	BASE	1	
10	94512140200014	ENGINE BASE	1	
11	1317390610	CASING COVER PACKING	1	
12	0489353850	O-RING (CASING)	1	
13	0489352400	O-RING (SUCTION COVER)	1	
14	0481310950	O-RING (VOLUTE CASING)	1	
15	0481311000	O-RING (SOCKET)	1	
16	0481311100	O-RING (NIPPLE)	1	
17	0481310250	O-RING (MECHANICAL SEAL SLEEVE)	1	
18	0480350300	O-RING (FLOODING/DRAIN CAP)	2	
19	0852834525	ADJUST LINER	1	
19-1	0852854525	ADJUST LINER	1	
20	9430350350	CHECK VALVE	1	
21	0806113630	MECHANICAL SEAL, SET	1	
22	0811883056	MECHANICAL SEAL SLEEVE	1	
23	0631211100	FLOODING CAP	1	
24	0631211100	DRAIN CAP	1	
25	0105050820	BOLT, (CASING COVER)	4	
26	0105051240	BOLT, (CASING)	4	
27	0105051250	BOLT, (CASING)	1	
28	0451250120	WASHER, LOCK	5	
29	011208045	BOLT, (ENGINE).....	4	REPLACES P/N 0105050845
30	0105051040	BOLT, (PUMP)	2	
31	0451250100	WASHER, LOCK	16	
32	0401450080	WASHER, FLAT M8	8	
33	0401450060	WASHER, M6	2	
34	0205450100	NUT, (CUSHION RUBBER, PUMP)	10	
35	0141090616	SCREW, (CHECK VALVE)	2	
36	0742213100	STRAINER	1	
37	0105051040	BOLT, (SUCTION COVER)	6	
38	0723302040	CUSHION RUBBER	4	
39	0191160625	BOLT, (SET PLATE)	4	
40	0451250100	WASHER, LOCK	4	
41	43130006000014	CASING COVER SET PLATE	1	
42	0458220080	SEAL WASHER	4	
43	0451290080	WASHER, LOCK.....	4	REPLACES P/N 0451250080
44	0205450080	NUT, 8MM	4	
45	KIT402H	KIT, PUMP.....	1	INCLUDES ITEMS W/%

ENGINE SERVICE PARTS



ENGINE SERVICE PARTS

<u>NO.</u>	<u>PART NO.</u>	<u>PART NAME</u>	<u>QTY.</u>	<u>REMARKS</u>
1	797032	FILTER, A/C CARTRIDGE	1.....	INCLUDES ITEMS W/\$
2\$	798505	SEALING, WASHER	1	
3\$	798795	FILTER, PRE-CLEANER	1	
4\$	798965	SEAL, O-RING	1	
5	Q16PRU11	SPARK PLUG	1.....	REPLACES P/N 491055S
6	799324	CAP, FUEL TANK	1	
7	792917	FILTER, FUEL TANK	1	
8	2346	FILTER, FUEL.....	1.....	REPLACES P/N 394358S
9	798825	STARTER, RE-WIND.....	1.....	INCLUDES ITEMS W/#
10#	490652	GRIP-STARTER, ROPE	1	
11#	66574	ROPE, STARTER	1.....	CUT TO REQUIRED LENGTH

PARTS MANUAL

HERE'S HOW TO GET HELP

PLEASE HAVE THE MODEL AND SERIAL
NUMBER ON-HAND WHEN CALLING

UNITED STATES

Multiquip Inc.

(310) 537- 3700
6141 Katella Avenue Suite 200
Cypress, CA 90630
E-MAIL: mq@multiquip.com
WEBSITE: www.multiquip.com

CANADA

Multiquip

(450) 625-2244
4110 Industriel Boul.
Laval, Quebec, Canada H7L 6V3
E-MAIL: infocanada@multiquip.com

UNITED KINGDOM

Multiquip (UK) Limited Head Office

0161 339 2223
Unit 2, Northpoint Industrial Estate, Globe Lane,
Dukinfield, Cheshire SK16 4UJ
E-MAIL: sales@multiquip.co.uk

© COPYRIGHT 2023, MULTIQUIP INC.

Multiquip Inc, the MQ logo are registered trademarks of Multiquip Inc. and may not be used, reproduced, or altered without written permission. All other trademarks are the property of their respective owners and used with permission.

This manual MUST accompany the equipment at all times. This manual is considered a permanent part of the equipment and should remain with the unit if resold.

The information and specifications included in this publication were in effect at the time of approval for printing. Illustrations, descriptions, references and technical data contained in this manual are for guidance only and may not be considered as binding. Multiquip Inc. reserves the right to discontinue or change specifications, design or the information published in this publication at any time without notice and without incurring any obligations.

