

# PARTS MANUAL



## **MODEL QP402H CENTRIFUGAL PUMP (HONDA GX240U1PMT2/GX240UT2PMT2 GASOLINE ENGINE)**

Revision #5 (08/13/20)

To find the latest revision of this publication or associated operation manual, visit our website at: [www.multiquip.com](http://www.multiquip.com)



**THIS MANUAL MUST ACCOMPANY THE EQUIPMENT AT ALL TIMES.**

## QP402H Centrifugal Pump

Explanation Of Code In Remarks Column.....	4
Suggested Spare Parts .....	5

## Component Drawings

Pump Assembly.....	6-7
Engine Service Parts.....	8-9

### **NOTICE**

Specifications and part numbers are subject to change without notice.



# EXPLANATION OF CODE IN REMARKS COLUMN

The following section explains the different symbols and remarks used in the Parts section of this manual. Use the help numbers found on the back page of the manual if there are any questions.

**NOTICE**

The contents and part numbers listed in the parts section are subject to change **without notice**. Multiquip does not guarantee the availability of the parts listed.

## SAMPLE PARTS LIST

NO.	PART NO.	PART NAME	QTY.	REMARKS
1	12345	BOLT .....	1	INCLUDES ITEMS W/%
2%		WASHER, 1/4 IN. ....		NOT SOLD SEPARATELY
2%	12347	WASHER, 3/8 IN. ...	1	MQ-45T ONLY
3	12348	HOSE .....	A/R	MAKE LOCALLY
4	12349	BEARING .....	1	S/N 2345B AND ABOVE

## NO. Column

**Unique Symbols** — All items with same unique symbol (@, #, +, %, or >) in the number column belong to the same assembly or kit, which is indicated by a note in the “Remarks” column.

**Duplicate Item Numbers** — Duplicate numbers indicate multiple part numbers, which are in effect for the same general item, such as different size saw blade guards in use or a part that has been updated on newer versions of the same machine.

**NOTICE**

When ordering a part that has more than one item number listed, check the remarks column for help in determining the proper part to order.

## PART NO. Column

**Numbers Used** — Part numbers can be indicated by a number, a blank entry, or TBD.

TBD (To Be Determined) is generally used to show a part that has not been assigned a formal part number at the time of publication.

A blank entry generally indicates that the item is not sold separately or is not sold by Multiquip. Other entries will be clarified in the “Remarks” Column.

## QTY. Column

**Numbers Used** — Item quantity can be indicated by a number, a blank entry, or A/R.

A/R (As Required) is generally used for hoses or other parts that are sold in bulk and cut to length.

A blank entry generally indicates that the item is not sold separately. Other entries will be clarified in the “Remarks” Column.

## REMARKS Column

Some of the most common notes found in the “Remarks” Column are listed below. Other additional notes needed to describe the item can also be shown.

**Assembly/Kit** — All items on the parts list with the same unique symbol will be included when this item is purchased.

Indicated by:

“INCLUDES ITEMS W/(unique symbol)”

**Serial Number Break** — Used to list an effective serial number range where a particular part is used.

Indicated by:

“S/N XXXXX AND BELOW”

“S/N XXXX AND ABOVE”

“S/N XXXX TO S/N XXX”

**Specific Model Number Use** — Indicates that the part is used only with the specific model number or model number variant listed. It can also be used to show a part is NOT used on a specific model or model number variant.

Indicated by:

“XXXXX ONLY”

“NOT USED ON XXXX”

**“Make/Obtain Locally”** — Indicates that the part can be purchased at any hardware shop or made out of available items. Examples include battery cables, shims, and certain washers and nuts.

**“Not Sold Separately”** — Indicates that an item cannot be purchased as a separate item and is either part of an assembly/kit that can be purchased, or is not available for sale through Multiquip.

## SUGGESTED SPARE PARTS

### QP402H CENTRIFUGAL PUMP WITH HONDA GX240U1PMT2/GX240UT2PMT2 ENGINE

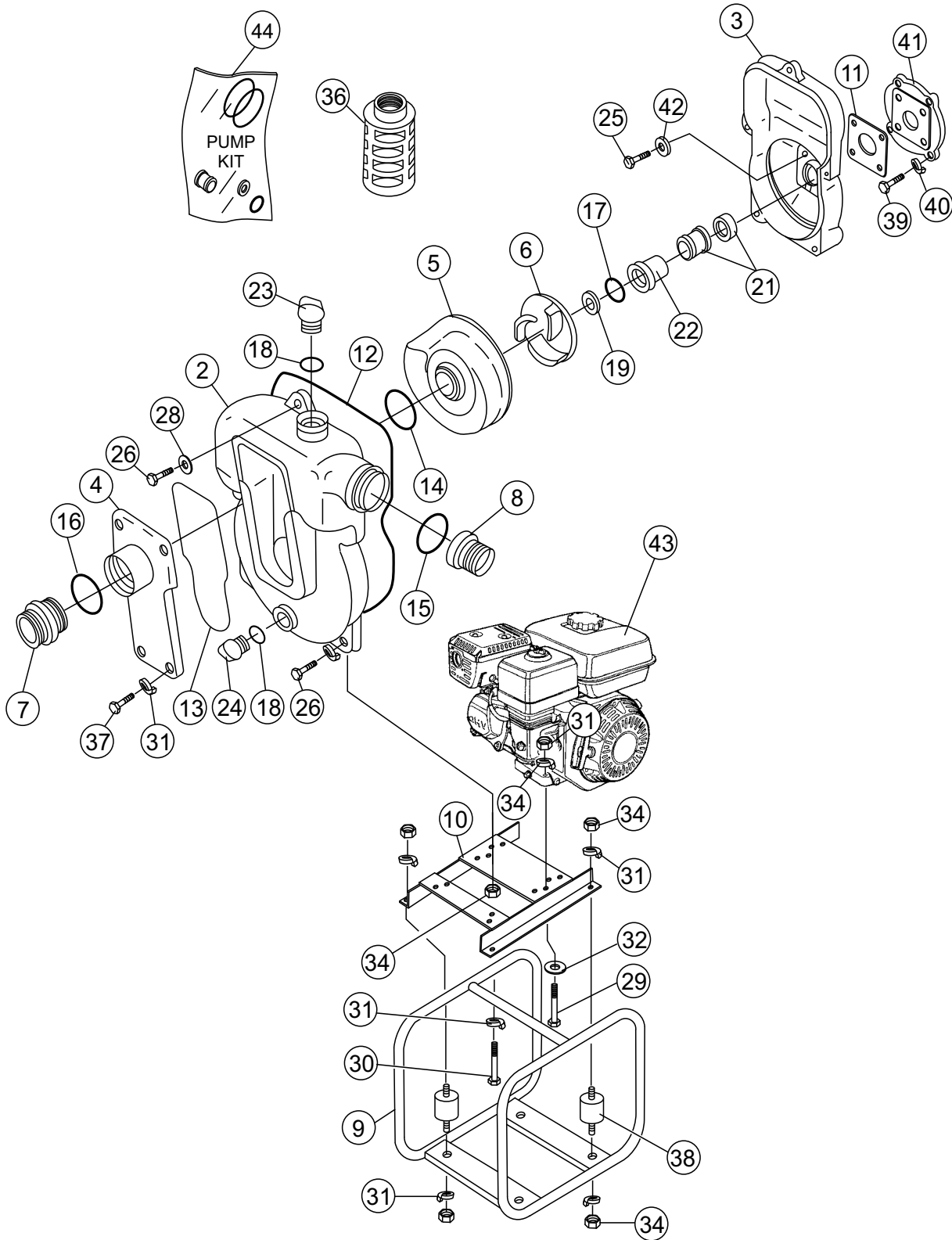
1 to 3 units

Qty.	P/N	Description
2	KIT402H	KIT, PUMP, MECHANICAL SEAL, SLEEVE, O-RINGS
2	.0631211100ASSY	DRAIN CAP, FLOODING W/O-RING
2	.0480350300	O-RING DRAIN CAP
1	.0482200750	O-RING, VOLUTE CASING
1	.0489312550	O-RING, CASING
1	.1424000030	IMPELLER
2	.17210ZE2822	ELEMENT, AIR CLEANER
3	.9807956846	SPARK PLUG (GX240U1PMT2)
3	.9807955876	SPARK PLUG (GX240UT2PMT2)
1	.28462ZE2W11	ROPE, RECOIL STARTER
1	.17620Z0T305	CAP, WITH GASKET, FUEL FILLER (GX240U1PMT2)
1	.17620Z4H020	CAP, WITH GASKET, FUEL FILLER (GX240UT2PMT2)

#### NOTICE

Part numbers on this Suggested Spare Parts list may supersede/replace the part numbers shown in the following parts lists.

# PUMP ASSEMBLY

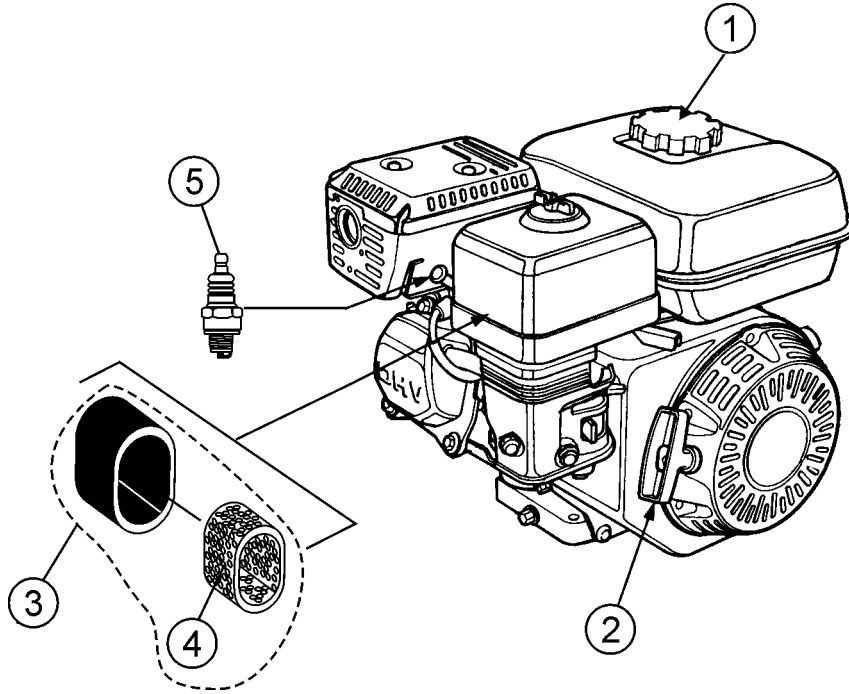


# PUMP ASSEMBLY

<u>NO.</u>	<u>PART NO.</u>	<u>PART NAME</u>	<u>QTY.</u>	<u>REMARKS</u>
2	9430100010	CASING	1	
3	9430100020	CASING COVER.....	1.....	REPLACES 0430100020
4	9430100160	SUCTION COVER	1	
5	9430000130	VOLUTE CASING	1	
6	1424000030	IMPELLER.....	1.....	REPLACES 1401000030
7	07904340400014	NIPPLE, NPS4"XNPT4".....	1.....	REPLACES 1424101800
8	07989340400014	SOCKET, M100XNPT4".....	1.....	REPLACES 1424102200
9	1353214011P002	BASE	1	
10	19752140200002	ENGINE BASE	1	
11	1317390610	CASING COVER PACKING	1	
12%	0489353850	O-RING (CASING) DIA.3.5 X 385	1	
13	0489352400	O-RING (SUCTION COVER), DIA.3.5 X 238.....	1.....	REPLACES 0489352380
14%	0481310950	O-RING (VOLUTE CASING), G95	1	
15	0481311000	O-RING (SOCKET), G100	1	
16	0481311100	O-RING (NIPPLE), G110	1	
17%	0481310250	O-RING (MECHANICAL SEAL SLEEVE), G25	1	
18	0480350300	O-RING (FLOODING CAP), P30	2	
19%	0852834525	ADJUST LINER, DIA. 45X25 t0.3.....	1.....	REPLACES 7852833020
19%	0852854525	ADJUST LINER, DIA. 45X25 t0.5.....	1.....	REPLACES 7852853020
20	9430350350	CHECK VALVE	1	
21%	0806113630	MECHANICAL SEAL, HK9A-LN DIA. 30.....	1SET.....	REPLACES 0801113530
22%	0811883056	MECH. SEAL SLEEVE, DIA. 1"XDIA 30 X56.....	1.....	REPLACES 0811253056
23	0631211100	FLOODING CAP, PF1"	1	
24	0631211100	DRAIN CAP, W/ O-RING, PF1"	1	
25	0105050820	BOLT, CASING COVER M8X20	4	
26	0105051240	BOLT, CASING M12X40.....	4.....	REPLACES 0181051240
27	0105051250	BOLT, CASING M12X50.....	4.....	REPLACES 0181051250
28	0451250120	WASHER, LOCK M12	5	
29	0105051045	BOLT, ENGINE M10X45	4	
30	0105051035	BOLT, PUMP M10X35	2	
31	0451250100	WASHER, SPRING	20	
32	0401450100	WASHER, M10	4	
33	0401450060	WASHER, M6.....	2.....	REPLACES 0401650060
34	0205450100	NUT, ENGINE CUSHION RUBBER M10	14	
35	0141090616	SCREW, CHECK ENGINE M6X16	2	
36	0742213100	STRAINER, NPT4".....	1.....	REPLACES 0742063100
37	0105051040	BOLT, SUCTION COVER M10X40.....	6.....	REPLACES 0181051040
38	0723302040	CUSHION RUBBER, DIA. 40 H20 M10	4	
39	0191160625	BOLT, SET PLATE 3/8-16UNCX25	4	
40	0451250100	WASHER, LOCK M10	4	
41	43130006000002	CASING COVER SET PLATE	1	
42	0458220080	SEAL WASHER, M8	4	
43	GX240UT2PMT2	ENGINE, 5.5 HP.....	1.....	REPLACES GX240U1PMT2
44	KIT402H	KIT, PUMP.....	1.....	INCLUDES ITEMS W/ %

# ENGINE SERVICE PARTS

---





## ENGINE SERVICE PARTS

---

<u>NO.</u>	<u>PART NO.</u>	<u>PART NAME</u>	<u>QTY.</u>	<u>REMARKS</u>
1	17620Z0T305	CAP, WITH GASKET, FUEL FILLER.....	1.....	GX240U1PMT2
1	17620Z4H020	CAP, WITH GASKET, FUEL FILLER.....	1.....	GX240UT2PMT2
2	28462ZE2W11	ROPE, RECOIL STARTER	1	
3	17210ZE2822	ELEMENT, AIR CLEANER .....	1.....	INCLUDES ITEM W/ #
4#	17218ZE2505	FILTER, OUTER	1	
5	9807956846	SPARK PLUG .....	1.....	GX240U1PMT2
5	9807955876	SPARK PLUG .....	1.....	GX240UT2PMT2

# PARTS MANUAL

## HERE'S HOW TO GET HELP

PLEASE HAVE THE MODEL AND SERIAL  
NUMBER ON-HAND WHEN CALLING

### UNITED STATES

#### *Multiquip Inc.*

(310) 537- 3700  
6141 Katella Avenue Suite 200  
Cypress, CA 90630  
E-MAIL: [mq@multiquip.com](mailto:mq@multiquip.com)  
WEBSITE: [www.multiquip.com](http://www.multiquip.com)

### CANADA

#### *Multiquip*

(450) 625-2244  
4110 Industriel Boul.  
Laval, Quebec, Canada H7L 6V3  
E-MAIL: [infocanada@multiquip.com](mailto:infocanada@multiquip.com)

### UNITED KINGDOM

#### *Multiquip (UK) Limited Head Office*

0161 339 2223  
Unit 2, Northpoint Industrial Estate,  
Globe Lane,  
Dukinfield, Cheshire SK16 4UJ  
E-MAIL: [sales@multiquip.co.uk](mailto:sales@multiquip.co.uk)

© COPYRIGHT 2020, MULTIQUIP INC.

Multiquip Inc, the MQ logo are registered trademarks of Multiquip Inc. and may not be used, reproduced, or altered without written permission. All other trademarks are the property of their respective owners and used with permission.

This manual MUST accompany the equipment at all times. This manual is considered a permanent part of the equipment and should remain with the unit if resold.

The information and specifications included in this publication were in effect at the time of approval for printing. Illustrations, descriptions, references and technical data contained in this manual are for guidance only and may not be considered as binding. Multiquip Inc. reserves the right to discontinue or change specifications, design or the information published in this publication at any time without notice and without incurring any obligations.

Your Local Dealer is:

