

PARTS MANUAL



MODEL QPT405SLT HIGH PRESSURE CENTRIFUGAL PUMP (HONDA GX390UT2PXU GASOLINE ENGINE)

Revision #4 (06/10/20)

To find the latest revision of this publication or associated operation manual, visit our website at: www.multiquip.com



THIS MANUAL MUST ACCOMPANY THE EQUIPMENT AT ALL TIMES.

**QPT405SLT
Centrifugal Pump**

Explanation Of Code In Remarks Column..... 4
Suggested Spare Parts 5

Component Drawings

Nameplate And Decals Assembly 6-7
Pump Assembly..... 8-11
Engine Service Parts 12-13

NOTICE

Specifications and part numbers are subject to change without notice.

EXPLANATION OF CODE IN REMARKS COLUMN

The following section explains the different symbols and remarks used in the Parts section of this manual. Use the help numbers found on the back page of the manual if there are any questions.

NOTICE

The contents and part numbers listed in the parts section are subject to change **without notice**. Multiquip does not guarantee the availability of the parts listed.

SAMPLE PARTS LIST

NO.	PART NO.	PART NAME	QTY.	REMARKS
1	12345	BOLT	1	INCLUDES ITEMS W/%
2%		WASHER, 1/4 IN.		NOT SOLD SEPARATELY
2%	12347	WASHER, 3/8 IN. ...	1	MQ-45T ONLY
3	12348	HOSE	A/R	MAKE LOCALLY
4	12349	BEARING	1	S/N 2345B AND ABOVE

NO. Column

Unique Symbols — All items with same unique symbol (@, #, +, %, or >) in the number column belong to the same assembly or kit, which is indicated by a note in the “Remarks” column.

Duplicate Item Numbers — Duplicate numbers indicate multiple part numbers, which are in effect for the same general item, such as different size saw blade guards in use or a part that has been updated on newer versions of the same machine.

NOTICE

When ordering a part that has more than one item number listed, check the remarks column for help in determining the proper part to order.

PART NO. Column

Numbers Used — Part numbers can be indicated by a number, a blank entry, or TBD.

TBD (To Be Determined) is generally used to show a part that has not been assigned a formal part number at the time of publication.

A blank entry generally indicates that the item is not sold separately or is not sold by Multiquip. Other entries will be clarified in the “Remarks” Column.

QTY. Column

Numbers Used — Item quantity can be indicated by a number, a blank entry, or A/R.

A/R (As Required) is generally used for hoses or other parts that are sold in bulk and cut to length.

A blank entry generally indicates that the item is not sold separately. Other entries will be clarified in the “Remarks” Column.

REMARKS Column

Some of the most common notes found in the “Remarks” Column are listed below. Other additional notes needed to describe the item can also be shown.

Assembly/Kit — All items on the parts list with the same unique symbol will be included when this item is purchased.

Indicated by:

“INCLUDES ITEMS W/(unique symbol)”

Serial Number Break — Used to list an effective serial number range where a particular part is used.

Indicated by:

“S/N XXXXX AND BELOW”

“S/N XXXX AND ABOVE”

“S/N XXXX TO S/N XXX”

Specific Model Number Use — Indicates that the part is used only with the specific model number or model number variant listed. It can also be used to show a part is NOT used on a specific model or model number variant.

Indicated by:

“XXXXX ONLY”

“NOT USED ON XXXX”

“Make/Obtain Locally” — Indicates that the part can be purchased at any hardware shop or made out of available items. Examples include battery cables, shims, and certain washers and nuts.

“Not Sold Separately” — Indicates that an item cannot be purchased as a separate item and is either part of an assembly/kit that can be purchased, or is not available for sale through Multiquip.

SUGGESTED SPARE PARTS

QPT405SLT CENTRIFUGAL PUMP

1 to 3 units

Qty.	P/N	Description
20805404235.....	MECHANICAL SEAL
20631211100ASSY.....	DRAIN CAP W/O-RING
20631211159.....	FLOODING CAP
11473060030.....	IMPELLER 1
11473060040.....	IMPELLER 2
10742217100.....	STRAINER
21473068050ASSY.....	BALL CHAIN, W/CAPS

HONDA GX390UT2PXU GASOLINE ENGINE

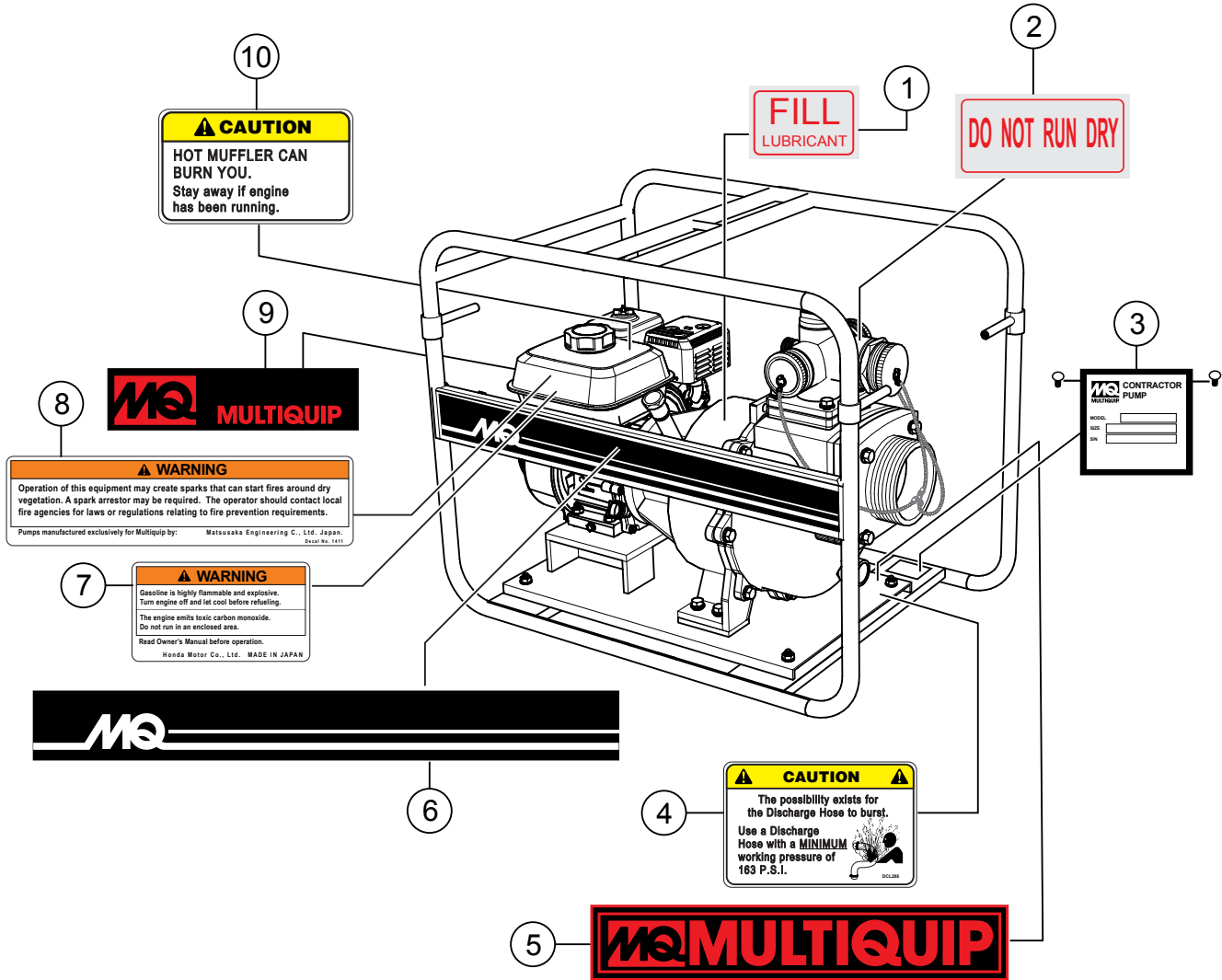
1 to 3 units

39807955846.....	SPARK PLUG
117620Z4H900.....	TANK CAP
117672ZE2W01.....	SWITCH ASSY.
317210ZE3010.....	ELEMENT A/C DUAL
217218ZE3000.....	FILTER OUTER
128462ZE3W01.....	ROPE, RECOIL
128461Z5T305.....	GRIP, STARTER

NOTICE

Part numbers on this Suggested Spare Parts list may supersede/replace the part numbers shown in the following parts lists.

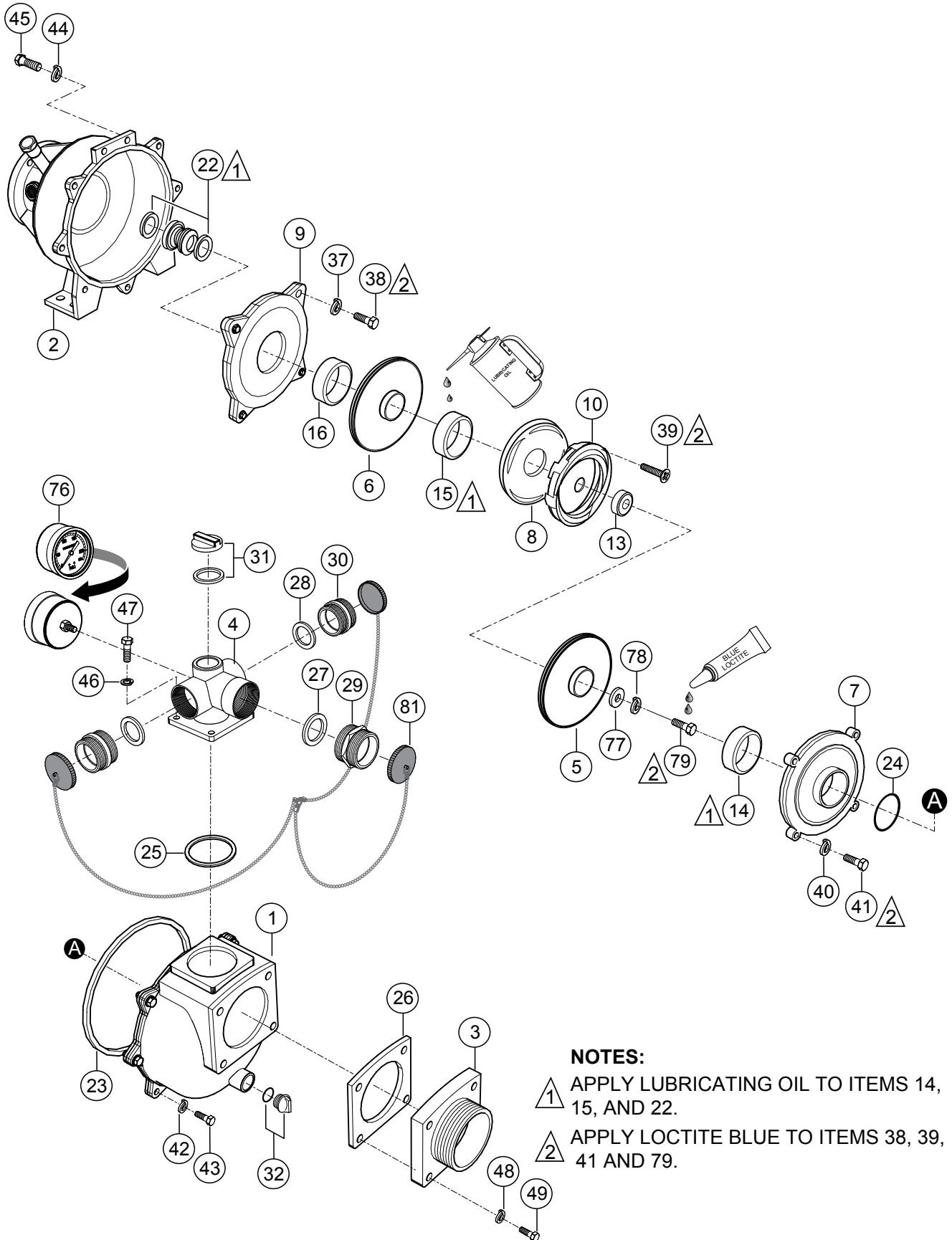
NAMEPLATE AND DECALS ASSEMBLY



NAMEPLATE AND DECALS ASSEMBLY

<u>NO.</u>	<u>PART NO.</u>	<u>PART NAME</u>	<u>QTY.</u>	<u>REMARKS</u>
1	2200241	DECAL; FILL LUBRICANT	1	
2	1200111	DECAL; DO NOT RUN DRY	1	
3		SERIAL PLATE	1CONTACT MQ PARTS DEPT.
4	DCL285	DECAL; CAUTION, DISCHARGE HOSE	1	
5	2200111	DECAL; MQ MULTQUIP LOGO	1	
6	2200131	DECAL; MQ STRIPE	1	
7	87516Z4H0100	DECAL; WARNING, GASOLINE FLAMMABLE	1	
8	2200231	DECAL; WARNING, START FIRES	1	
9	2200191	DECAL; MQ MULTQUIP LOGO	1	
10	22000191	DECAL; CAUTION, HOT MUFFLER	1	

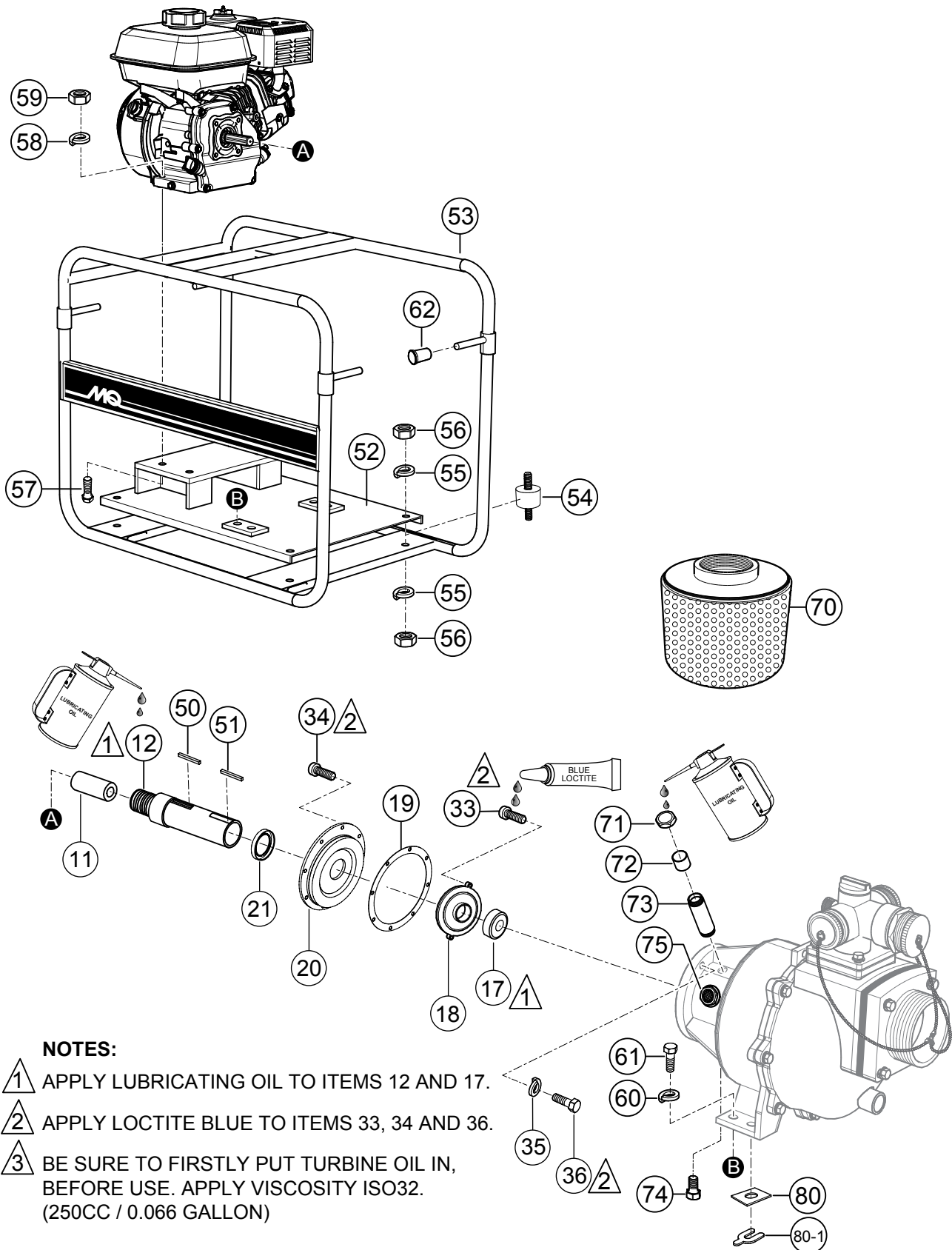
PUMP ASSEMBLY



PUMP ASSEMBLY

<u>NO.</u>	<u>PART NO.</u>	<u>PART NAME</u>	<u>QTY.</u>	<u>REMARKS</u>
1	14730600100002	CASING	1	
2	14730600200002	CASING COVER	1	
3	14730001600002	SUCTION COVER	1	
4	14730600900002	DELIVERY COVER (3-WAY OUTLET)	1	
5	1473060030	IMPELLER 1	1	
6	1473060040	IMPELLER 2	1	
7	1473060130	VOLUTE CASING 1	1	
8	1473060120	VOLUTE CASING 2	1	
9	1473060110	VOLUTE CASING 3	1	
10	1473060140	GUIDE VANE	1	
13	1473221270	SHAFT SPACER	1	
14	1473251220	LINER RING 1	1	
15	1473081220	LINER RING 2	1	
16	1473081220	LINER RING 3	1	
22	0805404235	MECHANICAL SEAL	1	
23	0481573750	O-RING	1	
24	0480571150	O-RING	1	
25	0481571650	O-RING	1	
26	1601350350	CHECK VALVE	1	
27	0481311100	O-RING	1	
28	0481310800	O-RING	2	
29	07905340400014	NIPPLE (4")	1	
30	07905330310014	NIPPLE (3")	2	
31	0631211159	FLOODING CAP	1	
32	0631211100ASSY	DRAIN CAP	1.....	REPLACES P/N 0631211100
37	0451250100	WASHER, LOCK.....	4.....	REPLACES P/N 0451290100
38	0105091040	BOLT	4	
39	0161090645	FLAT SCREW	3	
40	0451250100	WASHER, LOCK.....	4.....	REPLACES P/N 0451290100
41	0105191010	BOLT	4	
42	045129-0120	WASHER, LOCK	7	
43	0105091235	BOLT	7	
44	0451250100	WASHER, LOCK.....	2.....	REPLACES P/N 0451290100
45	0105091035	BOLT	2	
46	0451290160	WASHER, LOCK	4	
47	0105091640	BOLT	4	
48	0451290160	WASHER, LOCK	4	
49	0105091650	BOLT	4	
76	1473809360	PRESSURE GAUGE	1	
77	1466251241	IMPELLER WASHER	1	
78	0451250100	WASHER, LOCK.....	1.....	REPLACES P/N 0451290100
79	0105091025	BOLT	1	
81	1473068050ASSY	BALL CHAIN WITH CAP	1	

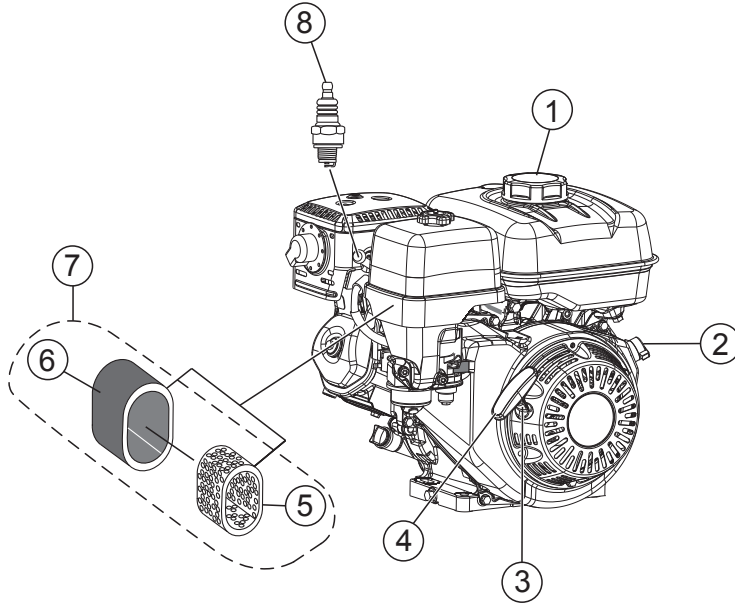
PUMP ASSEMBLY



PUMP ASSEMBLY

<u>NO.</u>	<u>PART NO.</u>	<u>PART NAME</u>	<u>QTY.</u>	<u>REMARKS</u>
11	1473221010	PUMP SHAFT	1	
12	1473221020	EXTENSION SHAFT	1	
17	0670006207	BALL BEARING	1	
18	1473201320	BEARING SET PLATE	1	
19	1473390780	OIL ROOM COVER PACKING	1	
20	1473130760	OIL ROOM COVER	1	
21	0861354808	OIL SEAL	1	REPLACES P/N 0862354808
33	0131190515	CAP SCREW	3	
34	0131190515	CAP SCREW	4	
35	0451290070	WASHER, LOCK	4	
36	0191170632	BOLT	4	
50	0505070825	KEY	1	
51	0515070825	KEY	1	
52	14732140200014	ENGINE BASE	1	
53	1473214010P002	BASE	1	
54	0723303032	CUSHION RUBBER	4	
55	0451290080	WASHER, LOCK	8	
56	0205490080	NUT	8	
57	0105091060	BOLT	4	
58	0451250100	WASHER, LOCK.....	4	REPLACES P/N 0451290100
59	020310080	NUT.....	4	REPLACES P/N 0205490100
60	030212300	WASHER, LOCK.....	4	REPLACES P/N 0451290120
61	0105091235	BOLT	4	
62	1412317030	CAP	4	
70	0742217100	STRAINER	1	
71	1473807150	OIL CAP	1	
72	0772253838	SOCKET	1	
73	E120038100	LONG NIPPLE	1	
74	1473807160	OIL PLUG	1	
75	1473809370	OIL GAUGE, SIGHT GLASS	1	
80	0852830000	BASE LINER	4	
80-1	0852850000	BASE LINER	4	

ENGINE SERVICE PARTS



ENGINE SERVICE PARTS

<u>NO.</u>	<u>PART NO.</u>	<u>PART NAME</u>	<u>QTY.</u>	<u>REMARKS</u>
1	17620Z4H900	TANK CAP, CHROME PLATED	1	
2	35120Z5T003	SWITCH ASSY.	1	
3	28462ZE3W01	ROPE, RECOIL	1	
4	28461Z5T305	GRIP, STARTER	1	
5		AIR CLEANER ELEMENT	1NOT SOLD SEPARATELY
6	17218ZE3000	FILTER OUTER	1	
7	17210ZE3505	ELEMENT A/C DUAL H-5252697	1	
8	9807955846	SPARK PLUG, BPR5ES (NGK)	1	

PARTS MANUAL

HERE'S HOW TO GET HELP

PLEASE HAVE THE MODEL AND SERIAL
NUMBER ON-HAND WHEN CALLING

UNITED STATES

Multiquip Inc.

(310) 537- 3700
6141 Katella Avenue Suite 200
Cypress, CA 90630
E-MAIL: mq@multiquip.com
WEBSITE: www.multiquip.com

CANADA

Multiquip

(450) 625-2244
4110 Industriel Boul.
Laval, Quebec, Canada H7L 6V3
E-MAIL: infocanada@multiquip.com

UNITED KINGDOM

Multiquip (UK) Limited Head Office

0161 339 2223
Unit 2, Northpoint Industrial Estate,
Globe Lane,
Dukinfield, Cheshire SK16 4UJ
E-MAIL: sales@multiquip.co.uk

© COPYRIGHT 2020, MULTIQUIP INC.

Multiquip Inc, the MQ logo are registered trademarks of Multiquip Inc. and may not be used, reproduced, or altered without written permission. All other trademarks are the property of their respective owners and used with permission.

This manual MUST accompany the equipment at all times. This manual is considered a permanent part of the equipment and should remain with the unit if resold.

The information and specifications included in this publication were in effect at the time of approval for printing. Illustrations, descriptions, references and technical data contained in this manual are for guidance only and may not be considered as binding. Multiquip Inc. reserves the right to discontinue or change specifications, design or the information published in this publication at any time without notice and without incurring any obligations.

Your Local Dealer is:

