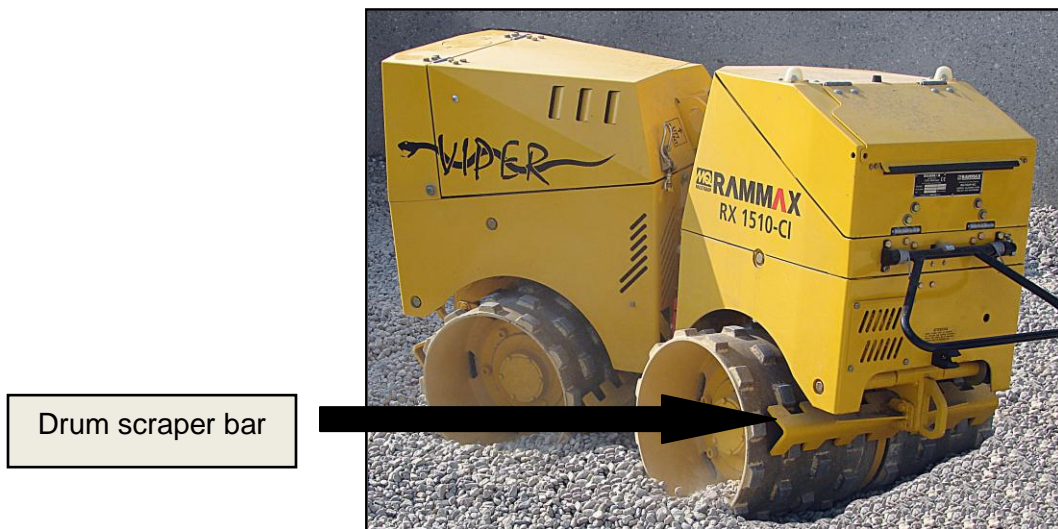
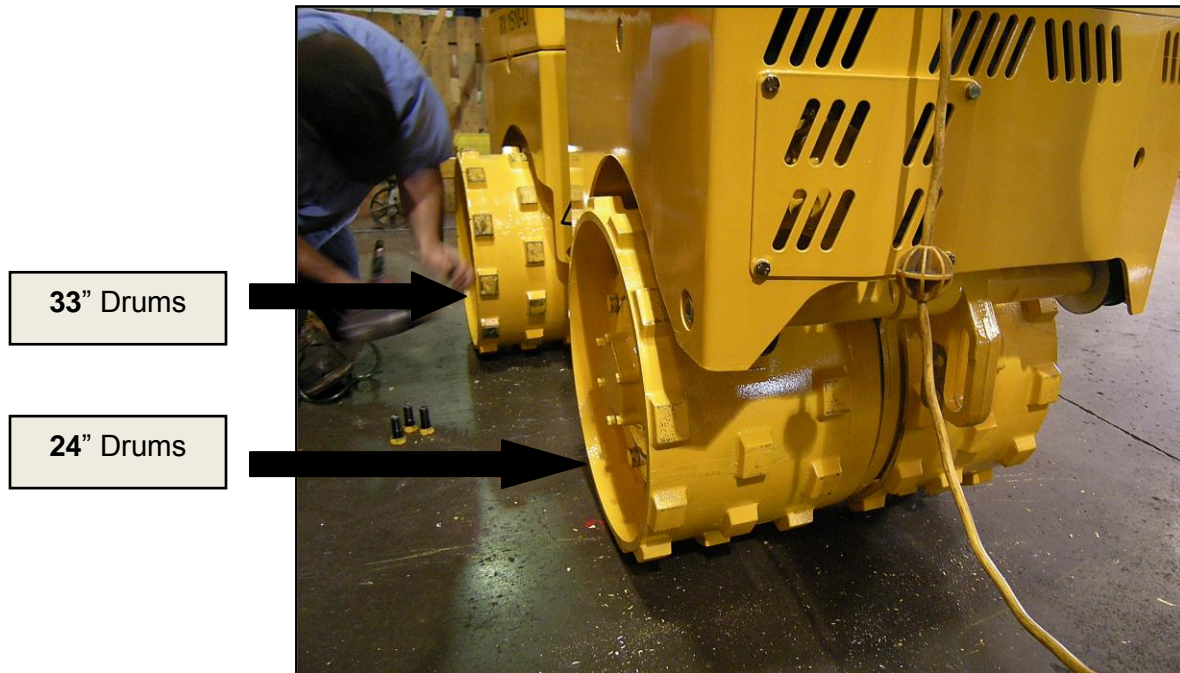


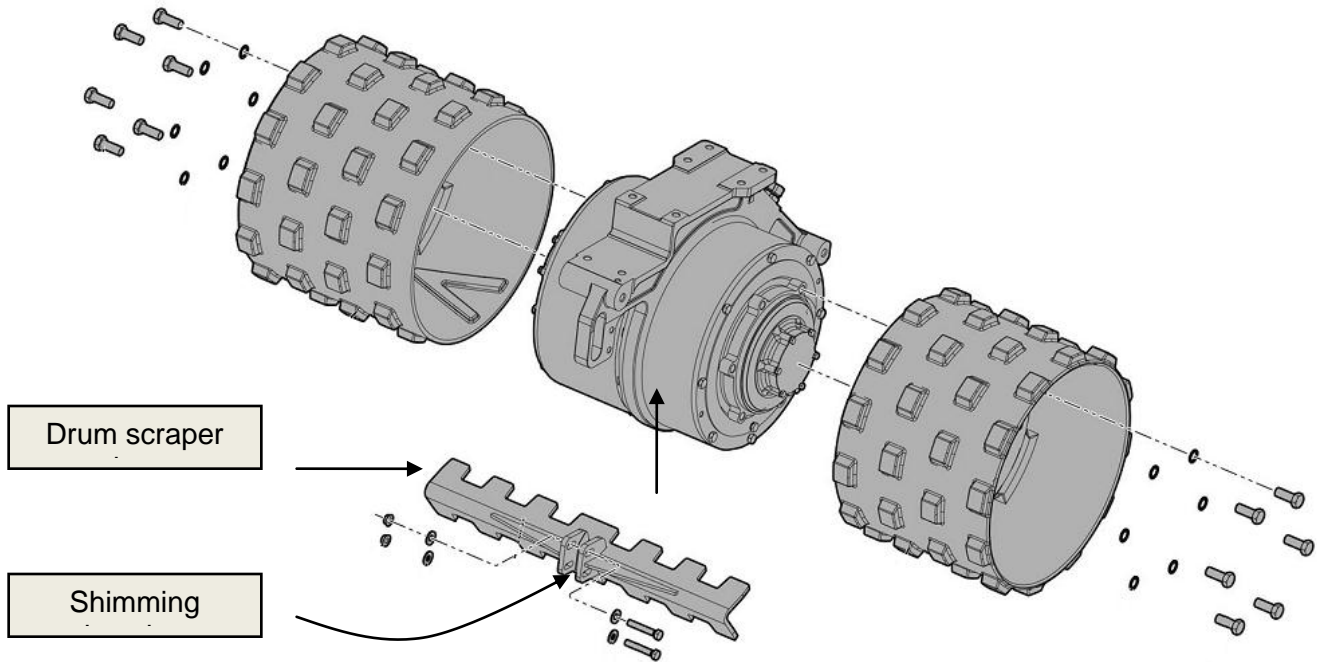
## DRUM SCRAPER BAR SHIMS

When performing a drum swap from 33" to 24", shims are added to the drum scraper bars in order to achieve a snug fit. Without shims added, the drum scraper bars may remain a loose fit.

**DRUM SWAP** = Changing drums with different width size 33" or 24"

**DRUM SCRAPER BAR** = Scraps dirt build up, off drums





The shims come in two sizes (0.5 mm & 1 mm)



MQ PART# 3-18615 (0.5 mm)



MQ PART# 3-18598 (1 mm)

Add shims as necessary

