

SYMBOL	PARTS NAME
Ar	Armature ass'y
Rotor	Rotor
Fg	Field Coil
ExAr	Armature Exciter
ExFg	Field Exciter
Re1, 3	Rectifier
Re2, 4	Rectifier
D1~2	Diode
CON1	Receptacle
CON2	Receptacle
CON3	Receptacle
SW1	CV/CC Selector Switch
SW2	CC Current Range Selector Switch
SW3	Idle Control Switch
R	Resistor
VR1	Current Control
VR2	Voltage Control
S	Rotary Solenoid
CT1~3	Current Transformer
FC	Field Control Unit
TB1	Terminal Board
TB2	Terminal Board
⊕ ⊖	Welding Output Terminal
⊥	Ground Terminal
CB1	AC Circuit Breaker (GFCI)
L1, 2	AC Reactor
DCL	DC Reactor
TH	Thermostat Switch
CB2	Circuit Protector

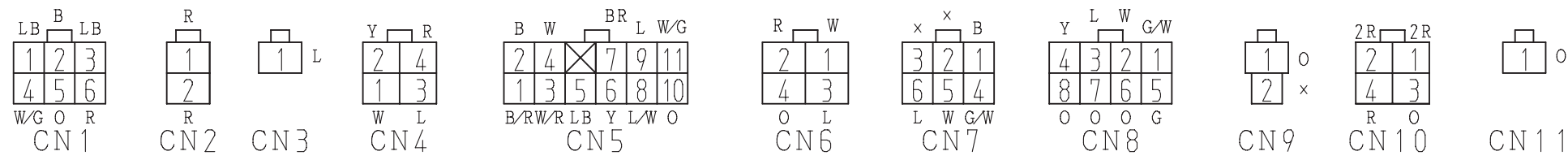
Connector
(View from Inserting Wire side)

Combination terminal

TB 1	⊗	U N V
TB 2	⊗	J K AC501930

WIRING COLOR CODE			
SYMBOL	COLOR	SYMBOL	COLOR
B	BLACK	R	RED
L	BLUE	W	WHITE
BR	BROWN	Y	YELLOW
G	GREEN	LB	LIGHT BLUE
GR	GRAY	LG	LIGHT GREEN
V	VIOLET	O	ORANGE
P	PINK		

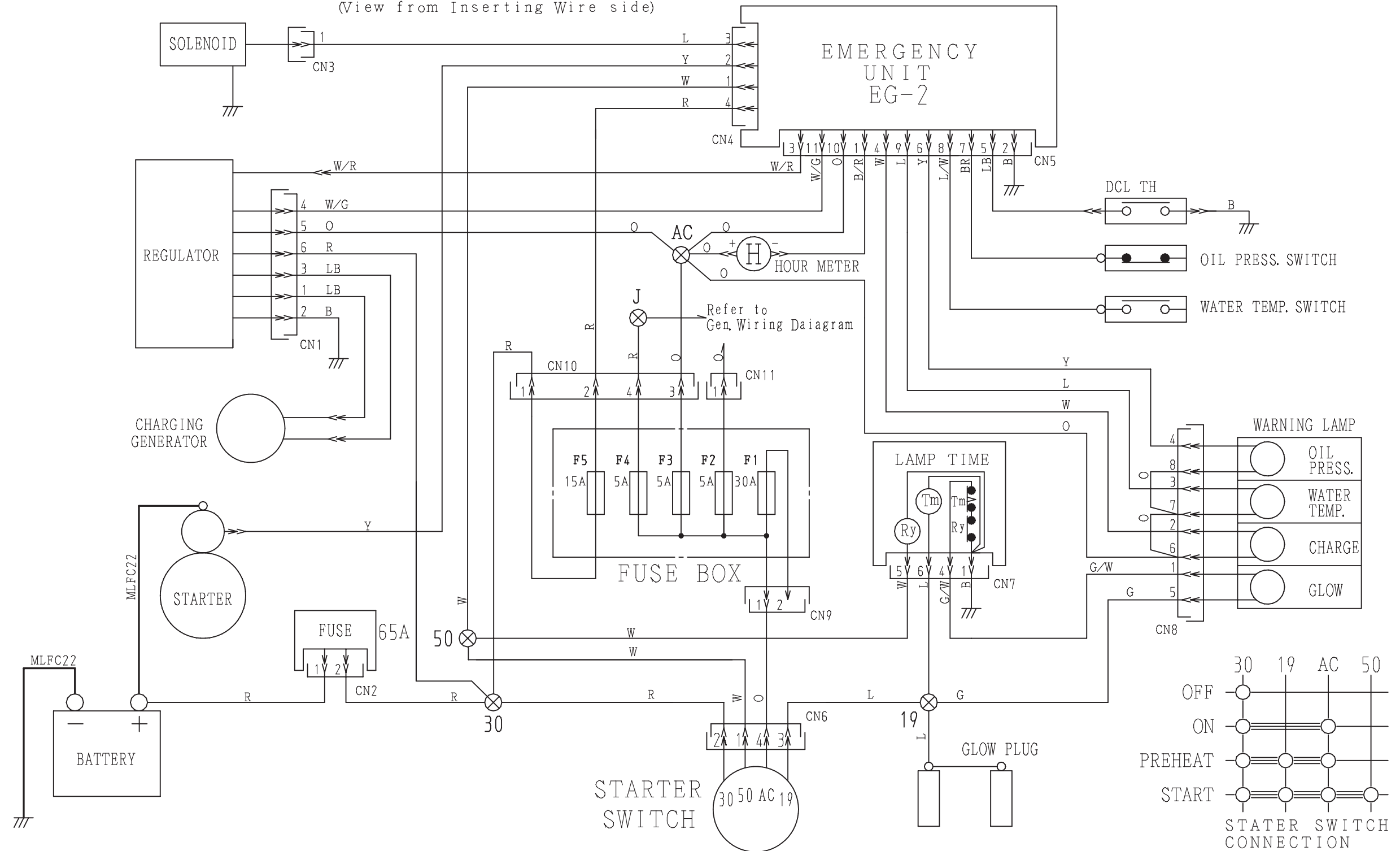
SDW225SSA GFCI Generator Wiring Diagram



Combination Terminal TB2 ⊗



Connector
(View from Inserting Wire side)



WIRING COLOR CODE			
SYMBOL	COLOR	SYMBOL	COLOR
B	BLACK	R	RED
L	BLUE	W	WHITE
BR	BROWN	Y	YELLOW
G	GREEN	LB	LIGHT BLUE
GR	GRAY	LG	LIGHT GREEN
V	VIOLET	O	ORANGE
P	PINK		

SDW225SSA GFCI ENGINE WIRING DIAGRAM