

# PARTS MANUAL



## **StreetPro SERIES MODEL SP1E16A PROFESSIONAL PAVEMENT SAW (5HP ELECTRIC MOTOR)**

Revision #1 (09/27/19)

To find the latest revision of this publication  
or associated operation manual, visit our  
website at: [www.multiquip.com](http://www.multiquip.com)



**THIS MANUAL MUST ACCOMPANY THE EQUIPMENT AT ALL TIMES.**

**PN: 38271**

# TABLE OF CONTENTS

---

## **SP1E16A Pavement Saw**

Table Of Contents.....	2
Explanation Of Code In Remarks Column.....	4
Suggested Spare Parts .....	5
Nameplate And Decals Assembly.....	6-7
Frame/Undercarriage Assembly.....	8-9
Electric Motor Assembly.....	10-11
Blade And Water Assembly.....	12-13
Pointer Assembly. ....	14-15

### **NOTICE**

Part numbers are subject to change without notice.



# EXPLANATION OF CODE IN REMARKS COLUMN

The following section explains the different symbols and remarks used in the Parts section of this manual. Use the help numbers found on the back page of the manual if there are any questions.

**NOTICE**

The contents and part numbers listed in the parts section are subject to change **without notice**. Multiquip does not guarantee the availability of the parts listed.

## SAMPLE PARTS LIST

NO.	PART NO.	PART NAME	QTY.	REMARKS
1	12345	BOLT.....	1	INCLUDES ITEMS W/%
2%		WASHER, 1/4 IN.....		NOT SOLD SEPARATELY
2%	12347	WASHER, 3/8 IN....	1	MQ-45T ONLY
3	12348	HOSE .....	A/R	MAKE LOCALLY
4	12349	BEARING .....	1	S/N 2345B AND ABOVE

## NO. Column

**Unique Symbols** — All items with same unique symbol

(@, #, +, %, or >) in the number column belong to the same assembly or kit, which is indicated by a note in the “Remarks” column.

**Duplicate Item Numbers** — Duplicate numbers indicate multiple part numbers, which are in effect for the same general item, such as different size saw blade guards in use or a part that has been updated on newer versions of the same machine.

**NOTICE**

When ordering a part that has more than one item number listed, check the remarks column for help in determining the proper part to order.

## PART NO. Column

**Numbers Used** — Part numbers can be indicated by a number, a blank entry, or TBD.

TBD (To Be Determined) is generally used to show a part that has not been assigned a formal part number at the time of publication.

A blank entry generally indicates that the item is not sold separately or is not sold by Multiquip. Other entries will be clarified in the “Remarks” Column.

## QTY. Column

**Numbers Used** — Item quantity can be indicated by a number, a blank entry, or A/R.

A/R (As Required) is generally used for hoses or other parts that are sold in bulk and cut to length.

A blank entry generally indicates that the item is not sold separately. Other entries will be clarified in the “Remarks” Column.

## REMARKS Column

Some of the most common notes found in the “Remarks” Column are listed below. Other additional notes needed to describe the item can also be shown.

**Assembly/Kit** — All items on the parts list with the same unique symbol will be included when this item is purchased.

Indicated by:  
 “INCLUDES ITEMS W/(unique symbol)”

**Serial Number Break** — Used to list an effective serial number range where a particular part is used.

Indicated by:  
 “S/N XXXXX AND BELOW”  
 “S/N XXXX AND ABOVE”  
 “S/N XXXX TO S/N XXX”

**Specific Model Number Use** — Indicates that the part is used only with the specific model number or model number variant listed. It can also be used to show a part is NOT used on a specific model or model number variant.

Indicated by:  
 “XXXXX ONLY”  
 “NOT USED ON XXXX”

**“Make/Obtain Locally”** — Indicates that the part can be purchased at any hardware shop or made out of available items. Examples include battery cables, shims, and certain washers and nuts.

**“Not Sold Separately”** — Indicates that an item cannot be purchased as a separate item and is either part of an assembly/kit that can be purchased, or is not available for sale through Multiquip.

## SUGGESTED SPARE PARTS

---

### SP1E16A PAVEMENT SAW WITH 5HP ELECTRIC MOTOR

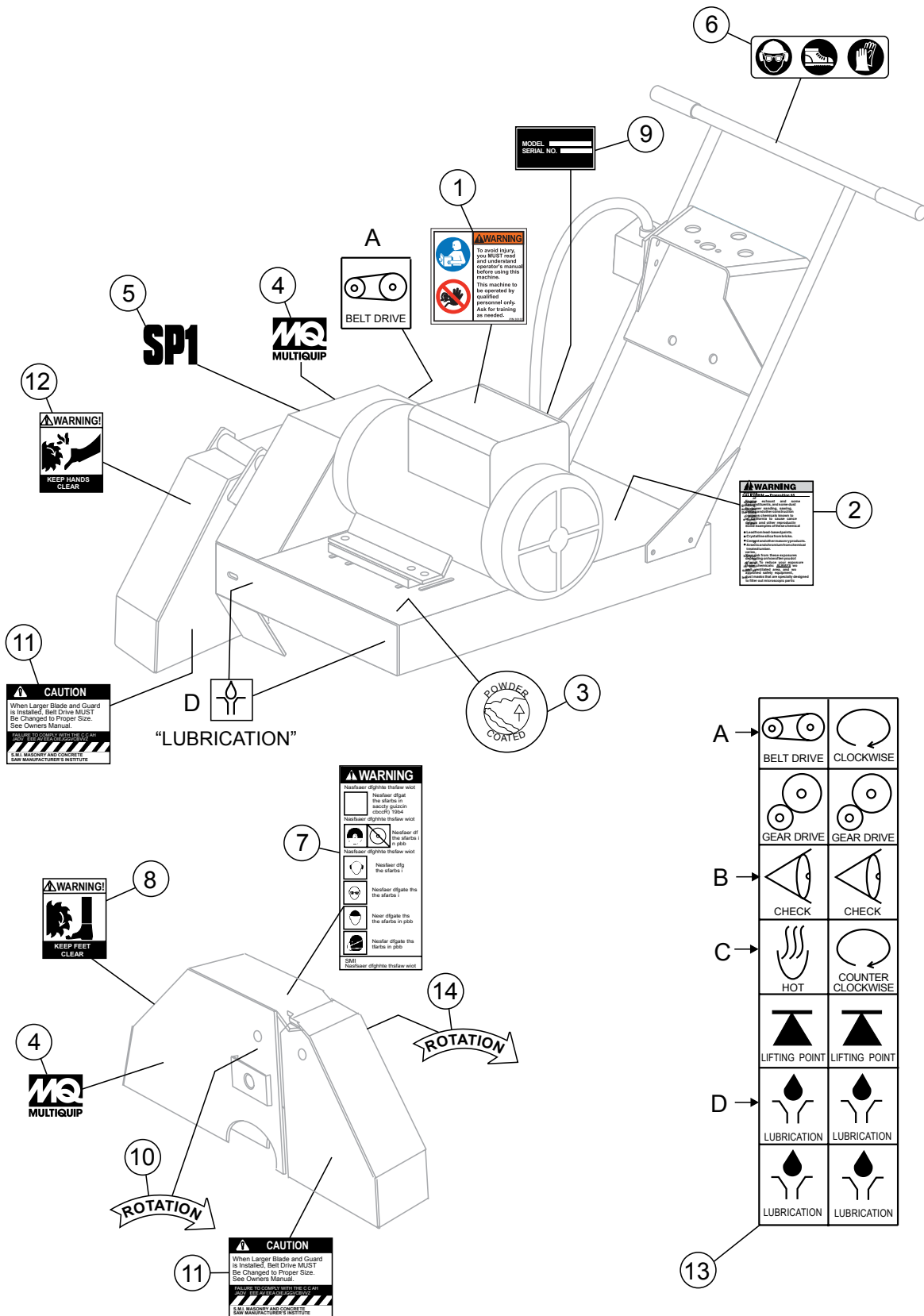
1 to 3 units

Qty.	P/N	Description
3.....	20478.....	HAND GRIP
4.....	2621.....	GREASE ZERK, SPINDLE BEARING
4.....	1162 A.....	CAP, GREASE ZERK
3.....	16779-006.....	BELT (3VX300) 5HP ELECTRIC MOTOR
2.....	23668001.....	6" REAR WHEEL
2.....	26221001.....	4" FRONT WHEEL

#### **NOTICE**

Part numbers on this Suggested Spare Parts list may supersede/replace the part numbers shown in the following parts lists.

# NAMEPLATE AND DECALS ASSY.

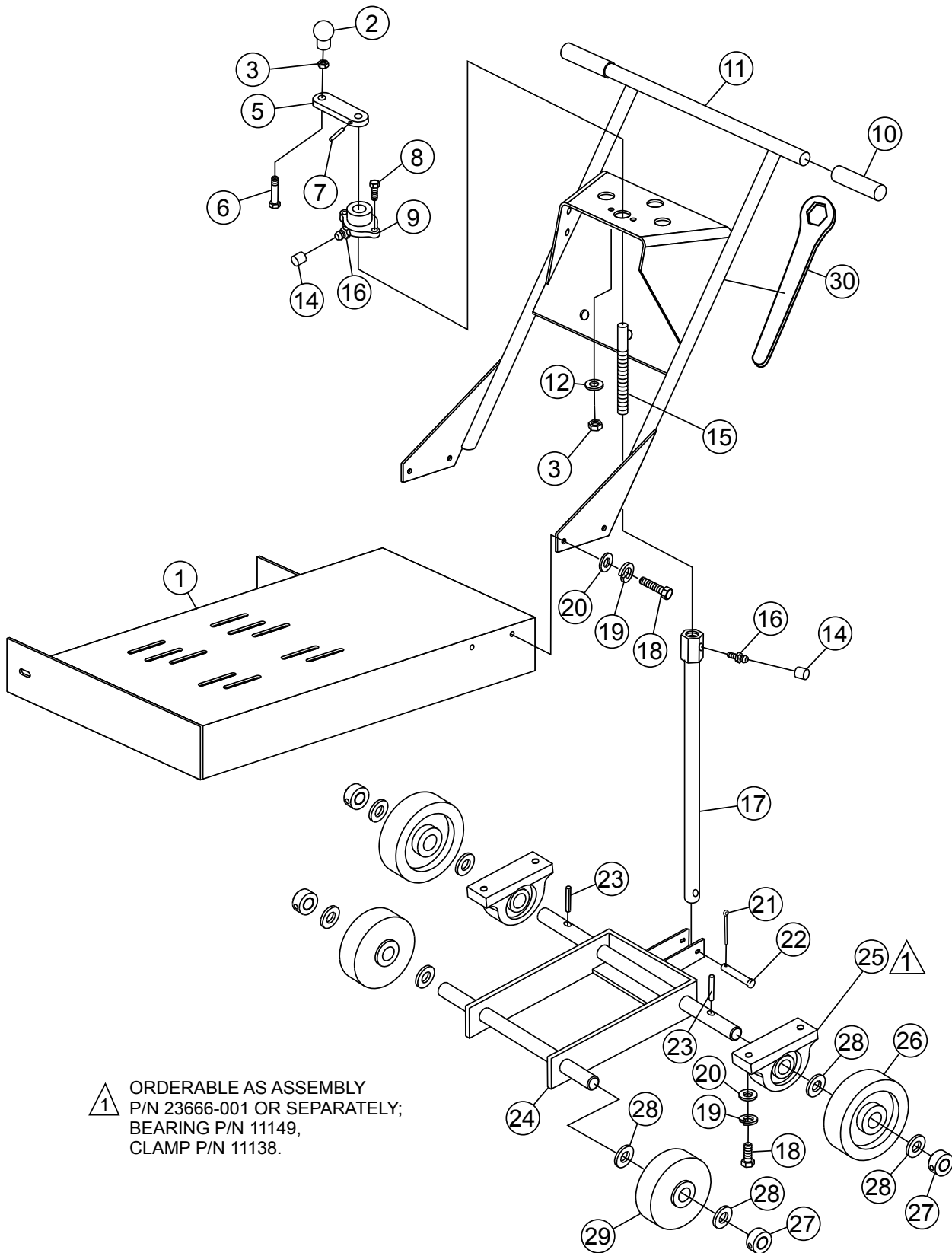


A →		
	BELT DRIVE	CLOCKWISE
	GEAR DRIVE	GEAR DRIVE
B →		
	CHECK	CHECK
C →		
	HOT	COUNTER CLOCKWISE
	LIFTING POINT	LIFTING POINT
D →		
	LUBRICATION	LUBRICATION
	LUBRICATION	LUBRICATION

## NAMEPLATE AND DECALS ASSY.

<u>NO.</u>	<u>PART NO.</u>	<u>PART NAME</u>	<u>QTY.</u>	<u>REMARKS</u>
1	35137	DECAL, READ MANUAL ASK FR TRAINING	1	
2	20525	DECAL, PROP 65 WARNING	1	
3	13118	DECAL, POWDER COATED	1	
4	38213	DECAL, MQ MULTIQUIP	3	
5	25783	DECAL, SP 1	3	
6	11247	DECAL, ISO SAFETY GEAR	1	
7	22122-001	DECAL, WARNING	1	
8	25250-001	DECAL, WARNING FEET	1	
9		SERIAL NUMBER PLATE.....	1	.....CONTACT PARTS DEPT.
10	25491	DECAL, ROTATION CW	1	
11	23330-001	DECAL, CAUTION BLADE GUARD	2	
12	25249-001	DECAL, WARNING HANDS	1	
13	11246	DECAL SHEET, INTL STDS	1	
14	25678	DECAL, ROTATION CCW	1	

# FRAME/UNDERCARRIAGE ASSY.



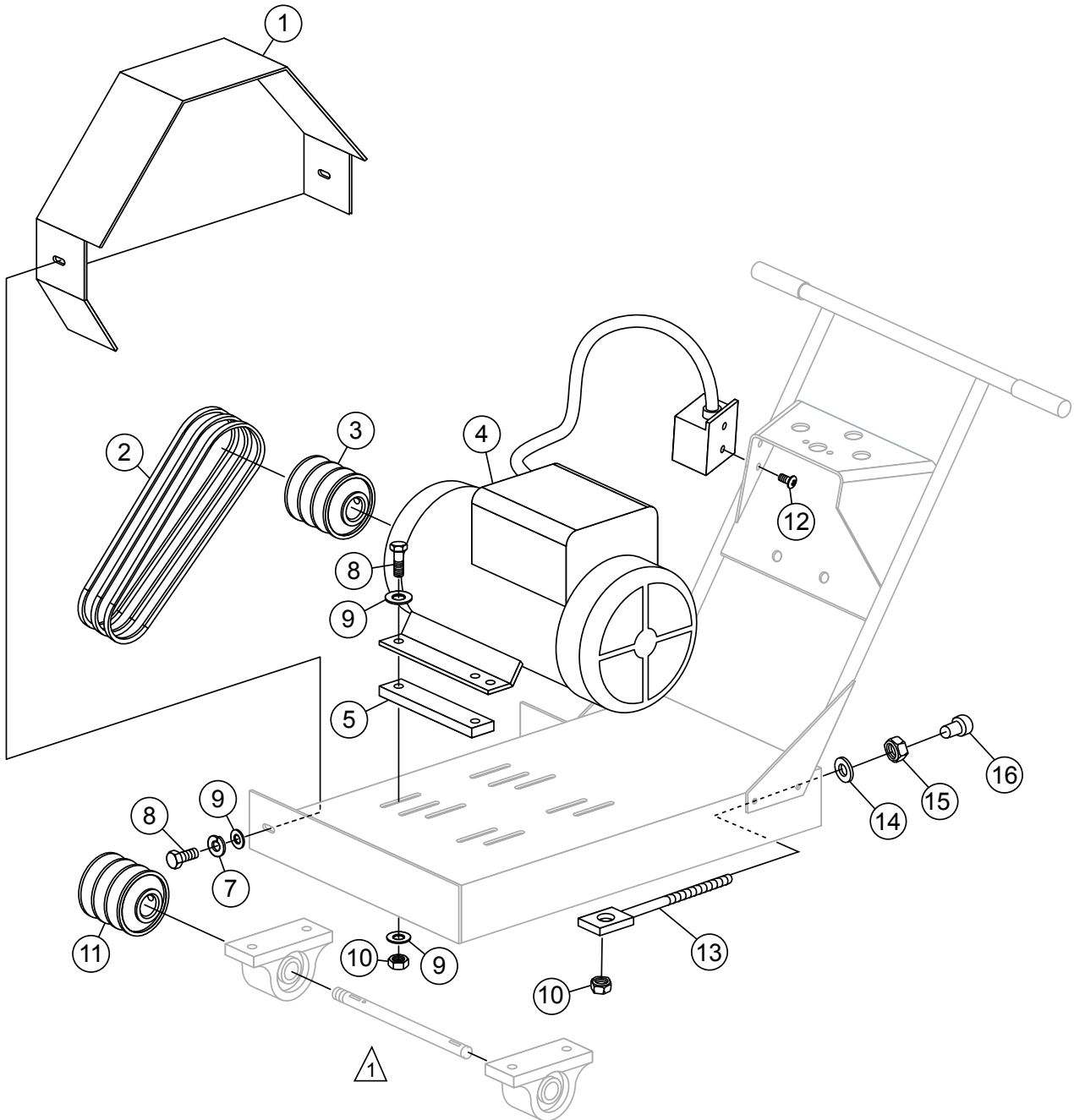
△ ORDERABLE AS ASSEMBLY  
P/N 23666-001 OR SEPARATELY;  
BEARING P/N 11149,  
CLAMP P/N 11138.



## FRAME/UNDERCARRIAGE ASSY.

<u>NO.</u>	<u>PART NO.</u>	<u>PART NAME</u>	<u>QTY.</u>	<u>REMARKS</u>
1	26145-351	FRAME	1	
2	4403	KNOB, ROUND 1-3/8 DIA X 3/8-16 BLACK	1	
3	5283	HEX NUT, 5/16 - 18, NYLOC	3	
5	28808-002	CRANK HANDLE	1	
6	1121	BOLT	1	
7	4568	ROLL PIN 3/16 X 1	1	
8	2623	BOLT, CARRIAGE 5/16-18 X 1-1/2	2	
9	23284-001	FLANGE BEARING	1	
10	15081	HAND GRIP	2	
11	26126-353	HANDLE	1	
12	0300 B	FLATWASHER 5/16	2	
14	1162 A	CAP, GREASE ZERK	4	
15	26137-002	ACME SCREW	1	
16	2621	ZERK, GREASE STR 1/4 - 28	4	
17	29408-352	JACK ARM (SUPPORT TUBE)	1	
18	0205	SCREW, HHCS 3/8 - 16 X 1-1/4	4	
19	0166 A	LOCKWASHER, 3/8	4	
20	10136	FLATWASHER 3/8	4	
21	6014 B	COTTER PIN 3/32 X 1	1	
22	08326-019	PIN 3/8 X 2-5/16	1	
23	07402-024	ROLL PIN 1/8 X 1-1/2	2	
24	26120-352	WHEEL BASE ASSEMBLY	1	
25	23666-001	CLAMP & BEARING ASSEMBLY	2	
25A	11138	CLAMP ASSEMBLY	2	
25B	11149	BEARING	2	
26	23668-001	REAR WHEEL, 6 X 2	2	
27	25181-001	LOCKING COLLAR	4	
28	8151	FLATWASHER, 3/4	6	
29	26121-001	FRONT WHEEL	2	
30	29013-001	WRENCH, BOX END, 1-1/2"	1	

# ELECTRIC MOTOR ASSY.

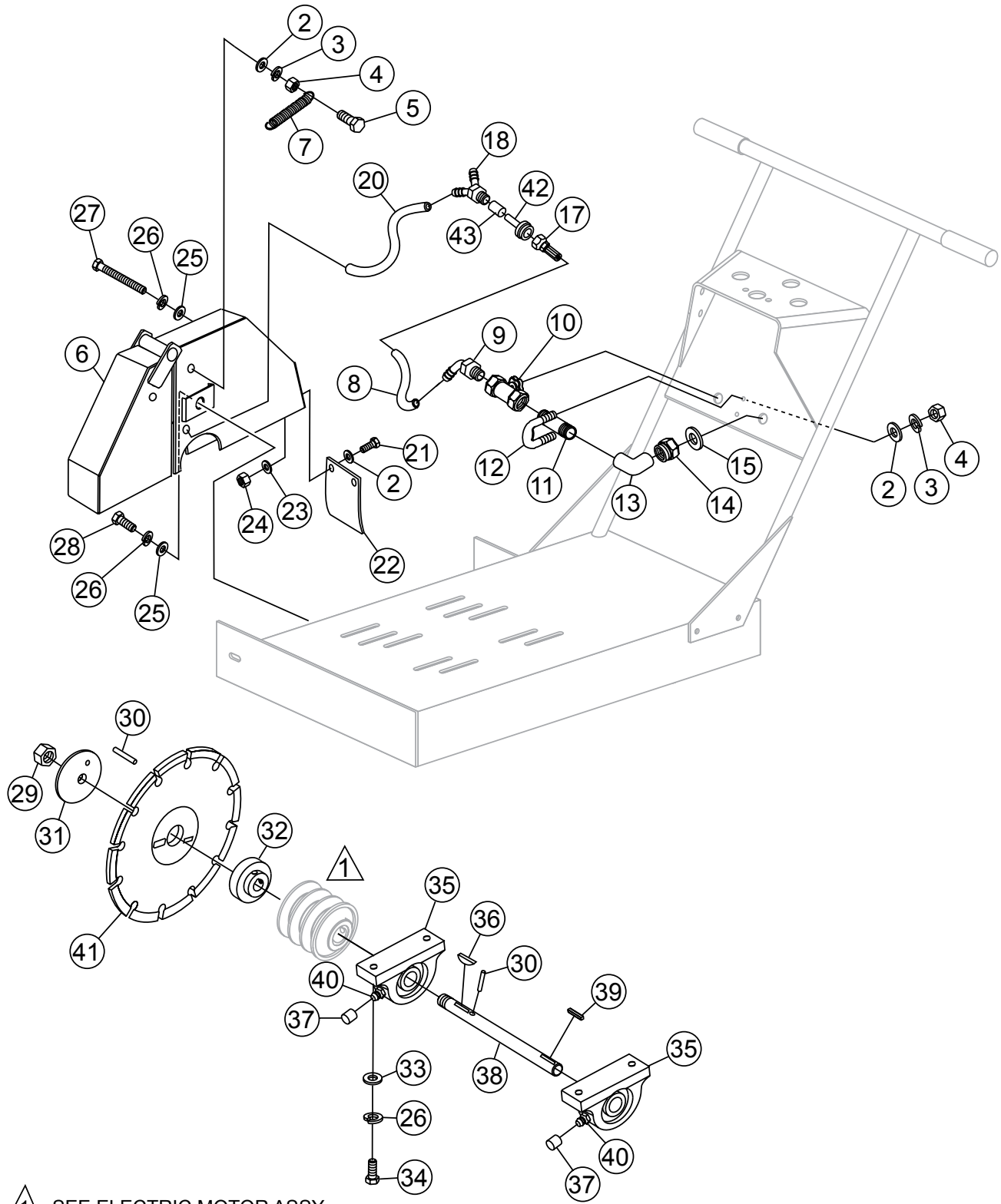


## **ELECTRIC MOTOR ASSY.**

---

<b><u>NO.</u></b>	<b><u>PART NO.</u></b>	<b><u>PART NAME</u></b>	<b><u>QTY.</u></b>	<b><u>REMARKS</u></b>
1	26142-354	BELT GUARD, YELLOW	1	
2	16779-006	BELT - 3VX300	3	
3	23665-005	PULLEY, MOTOR	1	
4	26152-502	MOTOR, 5 HP ELECTRIC	1	
5	27084-002	SPACER	2	
7	0166 A	WASHER, LOCK, 3/8 MED	2	
8	2623	SCREW, HHC 5/16 - 18 X 1-1/4"	4	
9	0300 B	WASHER, FLAT 5/16	8	
10	5283	NUT, 5/16 - 18 LOCK	4	
11	23665-009	PULLEY, SPINDLE	1	
12	23865-001	SCREW, HHWTF 10-24 X 5/8	2	
13	23811-352	BELT TIGHTENER	1	
14	EM923025	WASHER, FLAT 3/8 SAE	1	
15	10133	NUT, NYLOC 3/8-16	1	
16	10779-011	PROTECTOR	1	

# BLADE AND WATER ASSY.

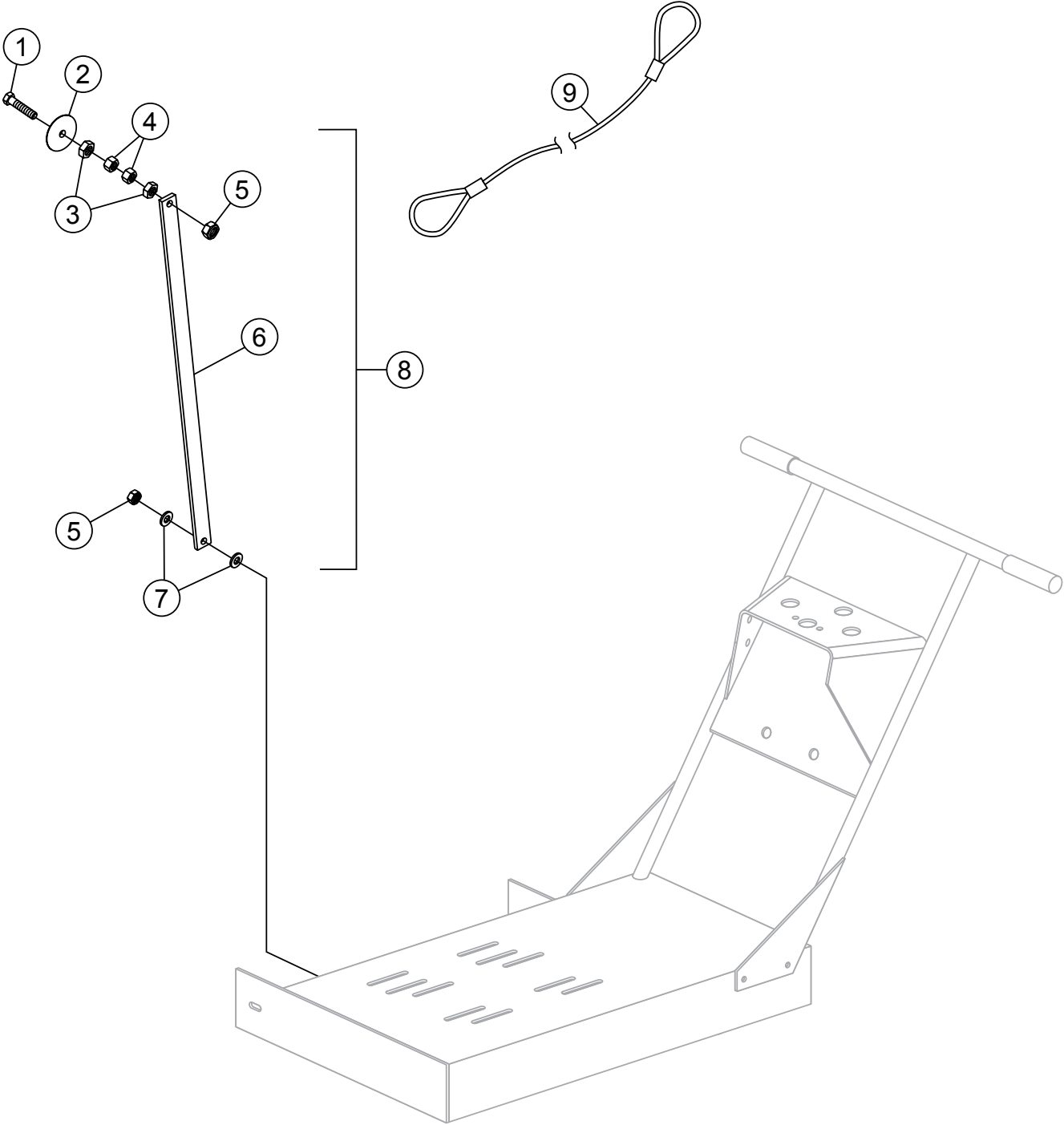


1 SEE ELECTRIC MOTOR ASSY.

## BLADE AND WATER ASSY.

<u>NO.</u>	<u>PART NO.</u>	<u>PART NAME</u>	<u>QTY.</u>	<u>REMARKS</u>
2	0948	FLATWASHER, 1/4	5	
3	0181B	LOCK WASHER 1/4	5	
4	0949	HEX NUT 1/4 - 20	5	
5	0424	SCREW, HHCS 1/4 - 20 X 1	4	
6	29406-352	BLADE GUARD 16"	1	
7	18626-001	SPRING	2	
8	23255-011	HOSE 26"	1	
9	23566-001	BARBED FITTING 90 DEG.	1	
10	35122-402	VALVE	1	
11	11708	NIPPLE 1/2	1	
12	16378-005	U-BOLT 1/4	1	
13	23252-002	ELBOW 1/2	1	
14	15544	CONNECTOR, GARDEN HOSE	1	
15	13336-001	WASHER, RUBBER	1	
17	24778-001	SWIVEL CONNECTOR	1	
18	14233-004	Y-FITTING	1	
20	60021	HOSE, 1.0 FT.....	2.....	SOLD PER FOOT
21	0131A	SCREW, HHCS 1/4 - 20 X 3/4	2	
22	28729-005	CHIP GUARD	1	
23	10930	FENDER WASHER 1/4	2	
24	10024	LOCKNUT, 1/4 - 20	2	
25	10136	FLATWASHER 3/8	6	
26	0166A	LOCKWASHER 3/8	2	
27	06501-032	SCREW, HHCS 3/8 - 16 X 4	1	
28	0205	SCREW, HHCS 3/8 - 16 X 1	1	
29	06922-003	NUT L.H. 1 - 1/4	1	
30	24894-020	DOWEL PIN 3/8 X 1-1/4	2	
31	26928-004	FLANGE, OUTER	1	
32	28811-001	FLANGE, INNER	1	
33	4001	FLATWASHER	4	
34	1284	SCREW, HHCS 3/8 - 16 X 1-1/2	4	
35	3200	BEARING	2	
36	0125	WOODRUFF KEY 1/4 X 1	1	
37	1162 A	CAP, GREASE ZERK	2	
38	26136-004	SPINDLE	1	
39	6059 B	KEY 1/4 X 1-3/4	1	
40	2621	GREASE ZERK	2	
41		BLADE .....	1.....	CONTACT MQ UNIT SALES
42	28876-001	FITTING, BRASS 3/8 BARB X 3/4M GRDN	1	
43	60021	HOSE, 2 IN.	1	

**POINTER ASSY.**



## POINTER ASSY.

---

<u>NO.</u>	<u>PART NO.</u>	<u>PART NAME</u>	<u>QTY.</u>	<u>REMARKS</u>
1	21017	SCREW, POINTER ARM	1	
2	29043-001	WHEEL, POINTER	1	
3	1007	NUT, HEX JAM 3/8 - 16	2	
4	1456	NUT, HEX FINISH 3/8 - 16	2	
5	10133	NUT, NYLOC 3/8 - 16	2	
6	27073-001	ARM, POINTER	1	
7	10136	WASHER, FLAT 3/8	2	
8	29042-501	INDICATOR ASSEMBLY	1	
9	15830	LANYARD	1	

# PARTS MANUAL

## HERE'S HOW TO GET HELP

PLEASE HAVE THE MODEL AND SERIAL  
NUMBER ON-HAND WHEN CALLING

### UNITED STATES

#### *Multiquip Inc.*

(310) 537- 3700  
6141 Katella Avenue Suite 200  
Cypress, CA 90630  
E-MAIL: [mq@multiquip.com](mailto:mq@multiquip.com)  
WEBSITE: [www.multiquip.com](http://www.multiquip.com)

### CANADA

#### *Multiquip*

(450) 625-2244  
4110 Industriel Boul.  
Laval, Quebec, Canada H7L 6V3  
E-MAIL: [infocanada@multiquip.com](mailto:infocanada@multiquip.com)

### UNITED KINGDOM

#### *Multiquip (UK) Limited Head Office*

0161 339 2223  
Unit 2, Northpoint Industrial Estate,  
Globe Lane,  
Dukinfield, Cheshire SK16 4UJ  
E-MAIL: [sales@multiquip.co.uk](mailto:sales@multiquip.co.uk)

© COPYRIGHT 2019, MULTIQUIP INC.

Multiquip Inc, the MQ logo are registered trademarks of Multiquip Inc. and may not be used, reproduced, or altered without written permission. All other trademarks are the property of their respective owners and used with permission.

This manual MUST accompany the equipment at all times. This manual is considered a permanent part of the equipment and should remain with the unit if resold.

The information and specifications included in this publication were in effect at the time of approval for printing. Illustrations, descriptions, references and technical data contained in this manual are for guidance only and may not be considered as binding. Multiquip Inc. reserves the right to discontinue or change specifications, design or the information published in this publication at any time without notice and without incurring any obligations.

