

# PARTS MANUAL



## **StreetPro SERIES MODEL SP6457 PROFESSIONAL PAVEMENT SAW (DEUTZ 57 HP DIESEL ENGINE)**

Revision #3 (11/29/10)

To find the latest revision of this  
publication, visit our website at:  
[www.multiquip.com](http://www.multiquip.com)



**THIS MANUAL MUST ACCOMPANY THE EQUIPMENT AT ALL TIMES.**



# WARNING



**CALIFORNIA — Proposition 65 Warning**

Diesel engine exhaust and some of its constituents are known to the State of California to cause cancer, birth defects and other reproductive harm.

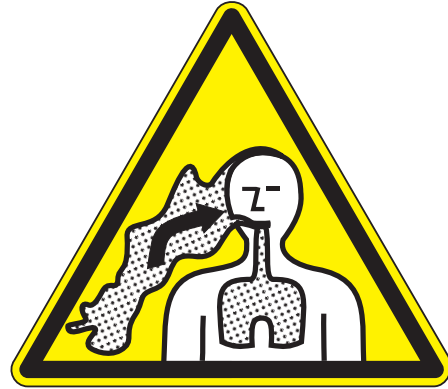
## **WARNING**



### **SILICOSIS WARNING**

Grinding/cutting/drilling of masonry, concrete, metal and other materials with silica in their composition may give off dust or mists containing crystalline silica. Silica is a basic component of sand, quartz, brick clay, granite and numerous other minerals and rocks. Repeated and/or substantial inhalation of airborne crystalline silica can cause serious or fatal respiratory diseases, including silicosis. In addition, California and some other authorities have listed respirable crystalline silica as a substance known to cause cancer. When cutting such materials, always follow the respiratory precautions mentioned above.

## **WARNING**



### **RESPIRATORY HAZARDS**

Grinding/cutting/drilling of masonry, concrete, metal and other materials can generate dust, mists and fumes containing chemicals known to cause serious or fatal injury or illness, such as respiratory disease, cancer, birth defects or other reproductive harm. If you are unfamiliar with the risks associated with the particular process and/or material being cut or the composition of the tool being used, review the material safety data sheet and/or consult your employer, the material manufacturer/supplier, governmental agencies such as OSHA and NIOSH and other sources on hazardous materials. California and some other authorities, for instance, have published lists of substances known to cause cancer, reproductive toxicity, or other harmful effects.

Control dust, mist and fumes at the source where possible. In this regard use good work practices and follow the recommendations of the manufacturers or suppliers, OSHA/NIOSH, and occupational and trade associations. Water should be used for dust suppression when wet cutting is feasible. When the hazards from inhalation of dust, mists and fumes cannot be eliminated, the operator and any bystanders should always wear a respirator approved by NIOSH/MSHA for the materials being used.

# TABLE OF CONTENTS

## SP6457 StreetPro Professional Pavement Saw

Proposition 65 Warning ..... 2  
Silicosis/Respiratory Warnings ..... 3  
Table Of Contents ..... 4  
Parts Ordering Procedures ..... 5  
Explanation Of Codes In Remarks Column ..... 6  
Suggested Spare Parts ..... 7

## Component Drawings

Console Mounting Assembly ..... 8-9  
Deck/Gauge Panel Assembly ..... 10-11  
Nameplate and Decals Assembly ..... 12-13  
Access Panel Assembly ..... 14-15  
F-N-R Control and Handle Assembly ..... 16-17  
Joystick Mounting Assembly ..... 18-19  
Fuel Tank Assembly ..... 20-21  
Gauges and Controls Assembly ..... 22-23  
Engine Assembly ..... 24-25  
Air Intake Hose Assembly ..... 26-27  
Muffler Kit Assembly ..... 28-29  
Engine Mounting Assembly ..... 30-31  
Engine Guard Assembly ..... 32-33  
Handle and Light Assembly ..... 34-35  
Light Connector/Dash Panel Assembly ..... 36-37  
Pointer Assembly ..... 38-39  
Rear Pointer and Foot Rest Assembly ..... 40-41  
Battery Assembly ..... 42-43  
Drive Assembly ..... 44-45  
Transaxle Mounting/Cam Lever Assy. .... 46-47  
4-Speed Blad shaft (Gearbox) Assembly ..... 48-51  
Shifter Assembly ..... 52-53  
Gearbox Mounting Assembly ..... 54-55  
Pulley and V-Belt Assembly ..... 56-57  
Belt Guard Assembly ..... 58-59  
Lift Pump Circuit Assembly ..... 60-61  
Water System Assembly ..... 62-63

Bladeguard (16-36") Assembly ..... 64-65  
Bladeguard (42") Assembly ..... 66-67  
Bladeguard (48") Assembly ..... 68-69  
Bladeguard Mount/Wiper Assembly ..... 70-71  
Depth Stop Meter/Cable Assembly ..... 72-73  
Depth Stop Cylinder/Valve Assembly ..... 74-75  
Front Axle Assembly ..... 76-77  
Cable Mount Assembly ..... 78-79  
Wiring Harness/Circuit Breaker Assy. .... 80-81  
Water Pump Kit Assembly ..... 82-83  
Gearbox Seal Kit Assembly ..... 84-85  
Bushing Extension Kits Assembly ..... 86-87  
Collar/Flange Puller Assy. (Option) ..... 88-89  
Seal Sleeve Puller Assy. (Option) ..... 90-91  
Tools ..... 92-93  
  
Terms and Conditions of Sale ..... 94

# PARTS ORDERING PROCEDURES

## Ordering parts has never been easier! Choose from three easy options:

Effective:  
January 1<sup>st</sup>, 2006

www.multiquip.com



### Order via Internet (Dealers Only):

Order parts on-line using Multiquip's SmartEquip website!

- View Parts Diagrams
- Order Parts
- Print Specification Information



If you have an MQ Account, to obtain a Username and Password, E-mail us at: [parts@multiquip.com](mailto:parts@multiquip.com).

To obtain an MQ Account, contact your District Sales Manager for more information.

Goto [www.multiquip.com](http://www.multiquip.com) and click on **Order Parts** to log in and save!

Use the **internet** and qualify for a **5% Discount** on *Standard orders* for all orders which include complete part numbers.\*

Note: Discounts Are Subject To Change



### Order via Fax (Dealers Only):

All customers are welcome to order parts via Fax.

**Domestic (US) Customers dial:**  
1-800-6-PARTS-7 (800-672-7877)

**Fax** your order in and qualify for a **2% Discount** on *Standard orders* for all orders which include complete part numbers.\*

Note: Discounts Are Subject To Change



**Order via Phone: Domestic (US) Dealers Call:**  
1-800-427-1244

### Non-Dealer Customers:

Contact your local Multiquip Dealer for parts or call 800-427-1244 for help in locating a dealer near you.



**International Customers** should contact their local Multiquip Representatives for Parts Ordering information.

## When ordering parts, please supply:

- |   |  |
|---|--|
| <input type="checkbox"/> Dealer Account Number                                | <input type="checkbox"/> Specify Preferred Method of Shipment:                         |
| <input type="checkbox"/> Dealer Name and Address                              | <input checked="" type="checkbox"/> UPS/Fed Ex <input checked="" type="checkbox"/> DHL |
| <input type="checkbox"/> Shipping Address (if different than billing address) | <input type="checkbox"/> Priority One <input checked="" type="checkbox"/> Truck        |
| <input type="checkbox"/> Return Fax Number                                    | <input type="checkbox"/> Ground  |
| <input type="checkbox"/> Applicable Model Number                              | <input type="checkbox"/> Next Day  |
| <input type="checkbox"/> Quantity, Part Number and Description of Each Part   | <input type="checkbox"/> Second/Third Day  |

### NOTICE

All orders are treated as *Standard Orders* and will ship the same day if received prior to 3PM PST.

WE ACCEPT ALL MAJOR CREDIT CARDS!



# EXPLANATION OF CODE IN REMARKS COLUMN

The following section explains the different symbols and remarks used in the Parts section of this manual. Use the help numbers found on the back page of the manual if there are any questions.

## NOTICE

The contents and part numbers listed in the parts section are subject to change **without notice**. Multiquip does not guarantee the availability of the parts listed.

## SAMPLE PARTS LIST

NO.	PART NO.	PART NAME	QTY.	REMARKS
1	12345	BOLT.....	1	INCLUDES ITEMS W/%
2%		WASHER, 1/4 IN.....		NOT SOLD SEPARATELY
2%	12347	WASHER, 3/8 IN....	1	MQ-45T ONLY
3	12348	HOSE .....		A/R ...MAKE LOCALLY
4	12349	BEARING .....	1	S/N 2345B AND ABOVE

## NO. Column

**Unique Symbols** — All items with same unique symbol

(@, #, +, %, or >) in the number column belong to the same assembly or kit, which is indicated by a note in the “Remarks” column.

**Duplicate Item Numbers** — Duplicate numbers indicate multiple part numbers, which are in effect for the same general item, such as different size saw blade guards in use or a part that has been updated on newer versions of the same machine.

## NOTICE

When ordering a part that has more than one item number listed, check the remarks column for help in determining the proper part to order.

## PART NO. Column

**Numbers Used** — Part numbers can be indicated by a number, a blank entry, or TBD.

TBD (To Be Determined) is generally used to show a part that has not been assigned a formal part number at the time of publication.

A blank entry generally indicates that the item is not sold separately or is not sold by Multiquip. Other entries will be clarified in the “Remarks” Column.

## QTY. Column

**Numbers Used** — Item quantity can be indicated by a number, a blank entry, or A/R.

A/R (As Required) is generally used for hoses or other parts that are sold in bulk and cut to length.

A blank entry generally indicates that the item is not sold separately. Other entries will be clarified in the “Remarks” Column.

## REMARKS Column

Some of the most common notes found in the “Remarks” Column are listed below. Other additional notes needed to describe the item can also be shown.

**Assembly/Kit** — All items on the parts list with the same unique symbol will be included when this item is purchased.

Indicated by:

“INCLUDES ITEMS W/(unique symbol)”

**Serial Number Break** — Used to list an effective serial number range where a particular part is used.

Indicated by:

“S/N XXXXX AND BELOW”

“S/N XXXX AND ABOVE”

“S/N XXXX TO S/N XXX”

**Specific Model Number Use** — Indicates that the part is used only with the specific model number or model number variant listed. It can also be used to show a part is NOT used on a specific model or model number variant.

Indicated by:

“XXXXX ONLY”

“NOT USED ON XXXX”

**“Make/Obtain Locally”** — Indicates that the part can be purchased at any hardware shop or made out of available items. Examples include battery cables, shims, and certain washers and nuts.

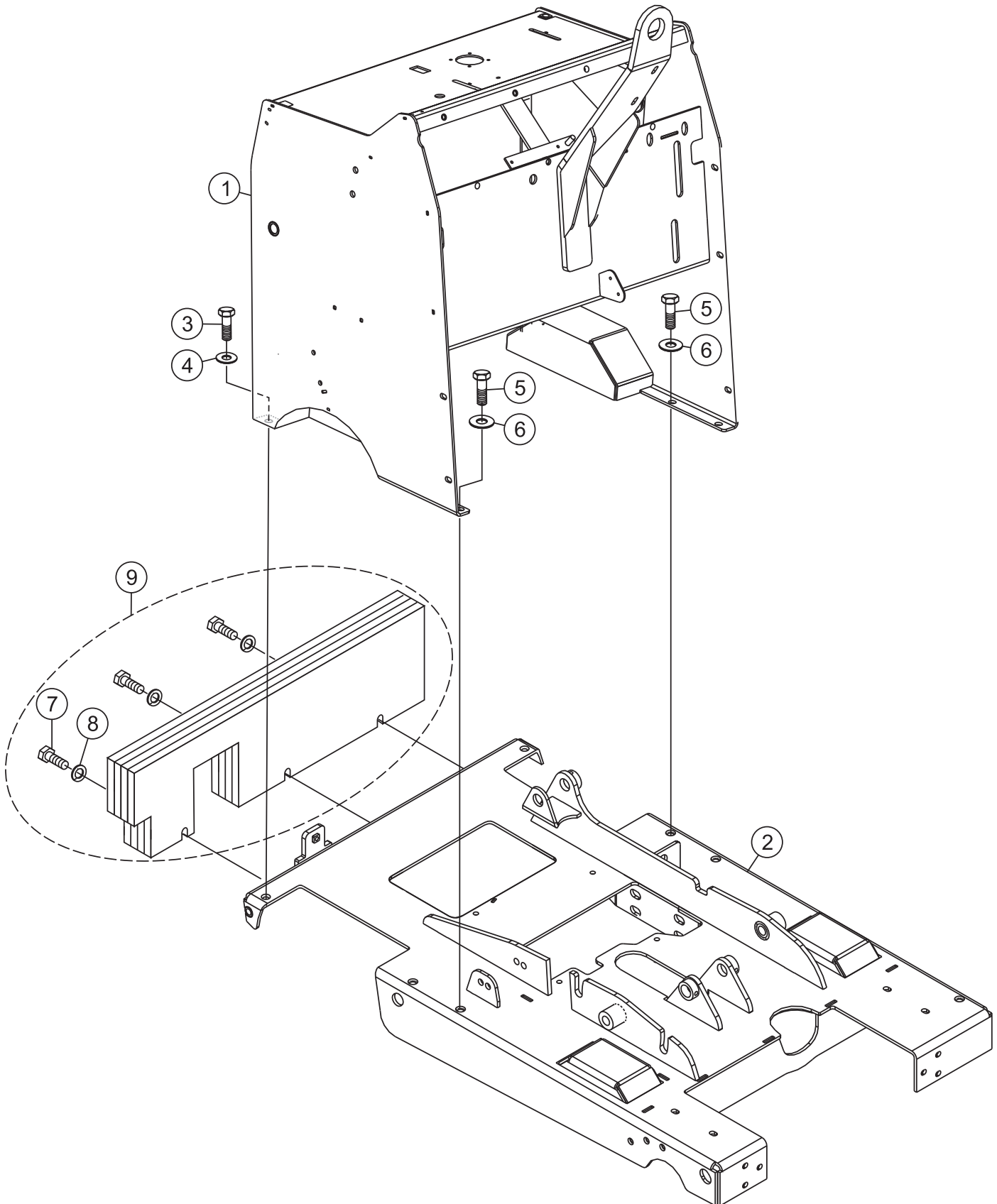
**“Not Sold Separately”** — Indicates that an item cannot be purchased as a separate item and is either part of an assembly/kit that can be purchased, or is not available for sale through Multiquip.

## SP6457 CONCRETE SAW

### *1 to 5 Units*

Qty.....	P/N .....	Description
1 .....	345008 .....	Coupler, Splined
1 .....	446010 .....	Valve, Cartridge
1 .....	560028-5 .....	Switch Assembly
1 .....	521004 .....	V-Belt (16", 20" and 26" only)
1 .....	521001 .....	V-Belt (30" and 36" only)
1 .....	521007 .....	V-Belt All Models
2 .....	520007 .....	5G 3VX 530 drive belt
1 .....	300008 .....	Primary Air Filter Element
1 .....	300009 .....	Safety Air Filter Element
1 .....	306006 .....	Transaxle Hydraulic Filter
2 .....	500009 .....	Wheel, Rear Axle
2 .....	582038 .....	Bushing, Rear Wheel
2 .....	180003 .....	Outer Flange
2 .....	180004 .....	Inner Flange
1 .....	582012 .....	Bushing, Flange
1 .....	915316 .....	Screw, HHC 5/8-11 x 3 LH Gr8
1 .....	915315 .....	Screw, HHC 5/8-11 x 3 RH Gr8
1 .....	577009 .....	Gasket, Drain Plug
1 .....	306012 .....	Engine Oil Filter, Deutz
1 .....	304010 .....	Engine Fuel Filter, Deutz
1 .....	362002 .....	Tube, B.G. Water Delivery R.H.
1 .....	362003 .....	Tube, B.G. Water Delivery L.H.
1 .....	25643 .....	Relief Check Valve

# CONSOLE MOUNTING ASSY.





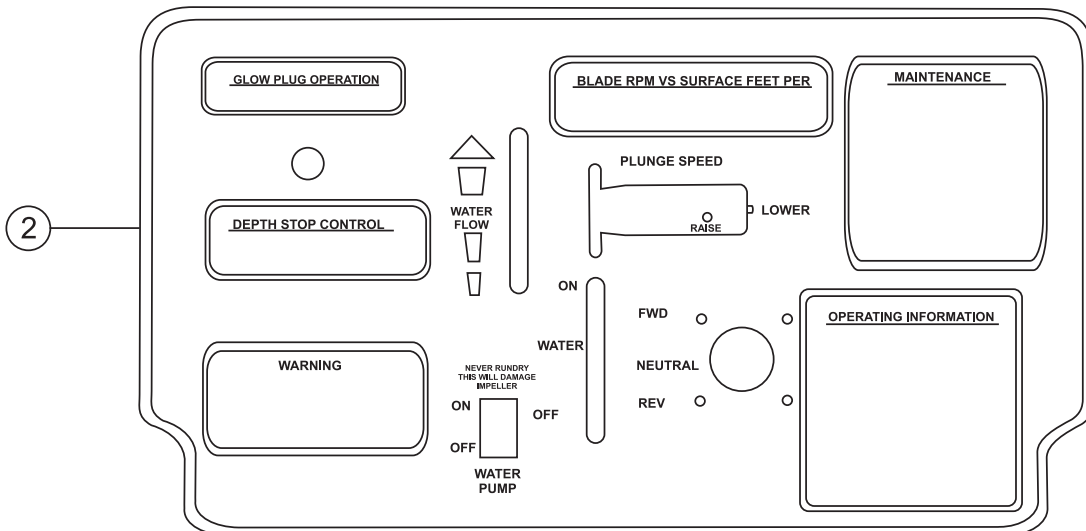
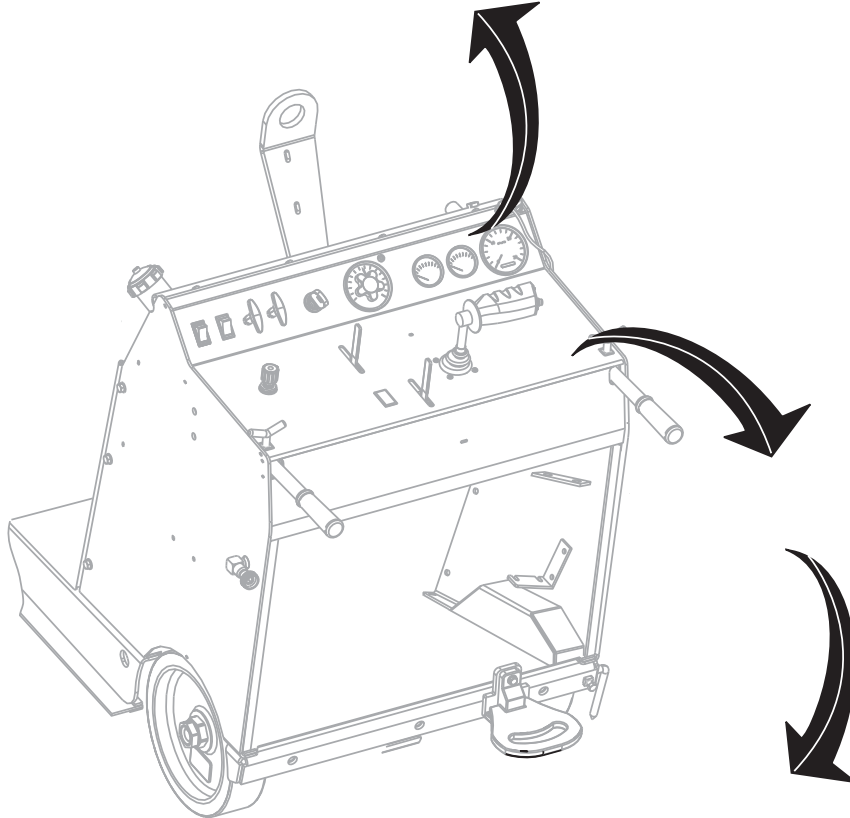
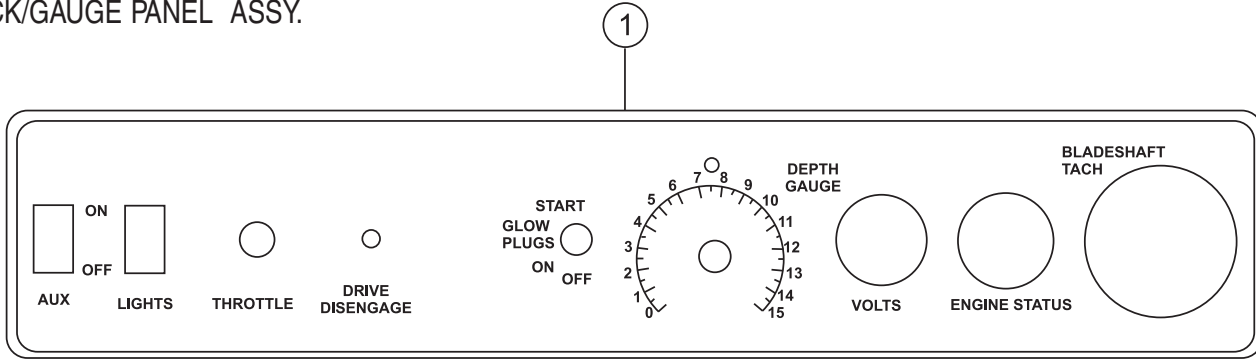
# CONSOLE MOUNTING ASSY.

## DECK/GAUGE PANEL ASSY.

<u>NO</u>	<u>PART NO</u>	<u>PART NAME</u>	<u>QTY.</u>	<u>REMARKS</u>
1	25744	CONSOLE	1	
2	100048	FRAME PLATFORM	1	
3	16530	SCREW, HHC 7/16-14 X 1	2	
4	933243	WASHER, FLAT SAE 7/16 GRD 9 YZ	2	
5	3214	SCREW, HHC 1/2-13 X 1-1/4	4	
6	933244	WASHER, FLAT SAE 1/2 GRD 9 YZ	4	
7#	EM963105	SCREW, HHC 1/2-13 X 2	3	
7#	2549	SCREW, HHC 1/2-13 X 3	3	
8#	933244	WASHER, FLAT SAE 1/2 GRD 9 YZ	3	
9	M18011	OPTIONAL WEIGHT KIT .....	1.....	INCLUDES ITEMS W/#

# DECK/GAUGE PANEL ASSY.

DECK/GAUGE PANEL ASSY.



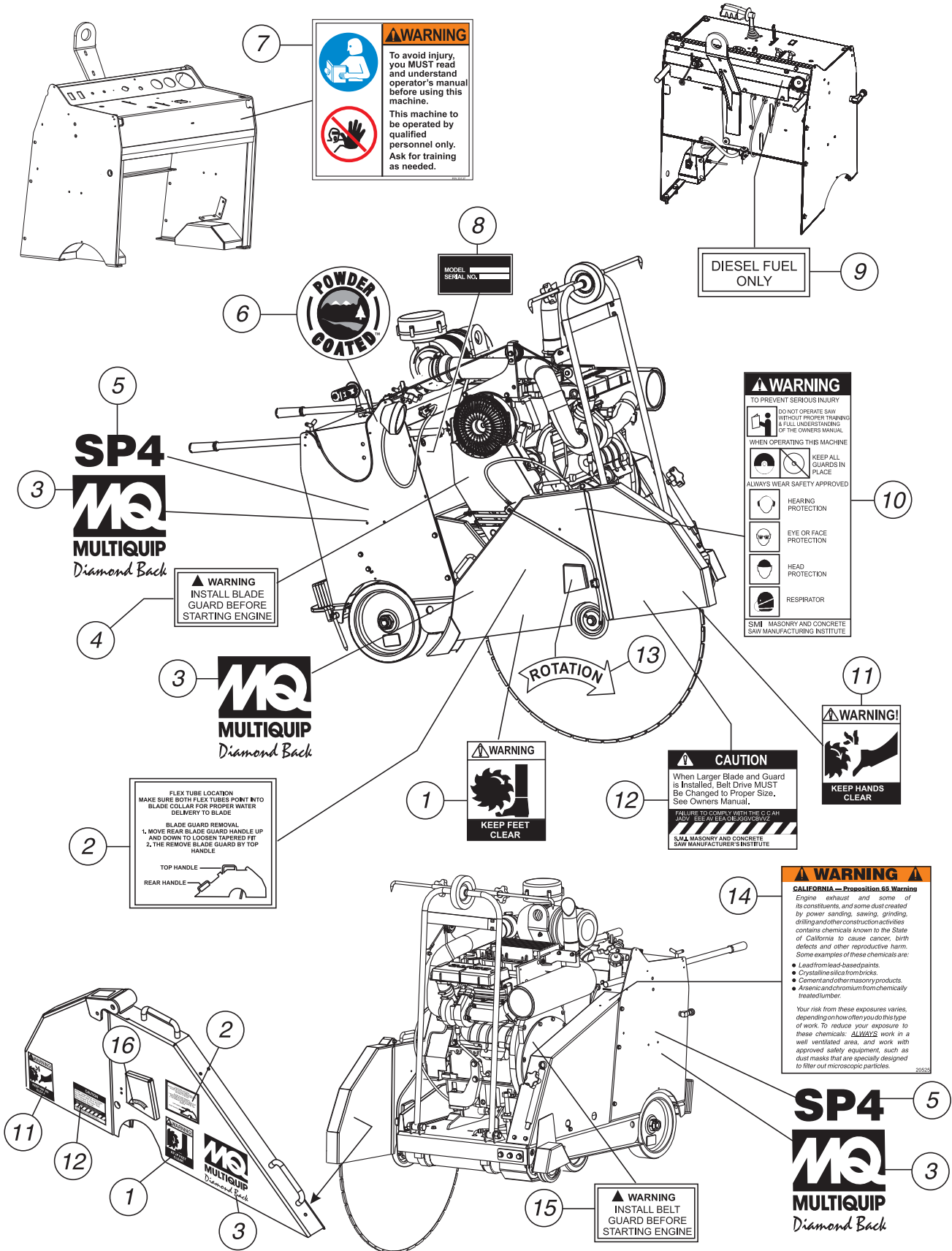
## DECK/GAUGE PANEL ASSY.

DECK/GAUGE PANEL ASSY.

<u>NO</u>	<u>PART NO</u>	<u>PART NAME</u>	<u>QTY.</u>	<u>REMARKS</u>
1	600151	GAUGE PANEL	1	
2	600152	DECK PANEL	1	

# NAMEPLATE AND DECALS ASSY.

## NAMEPLATE AND DECAL ASSY.



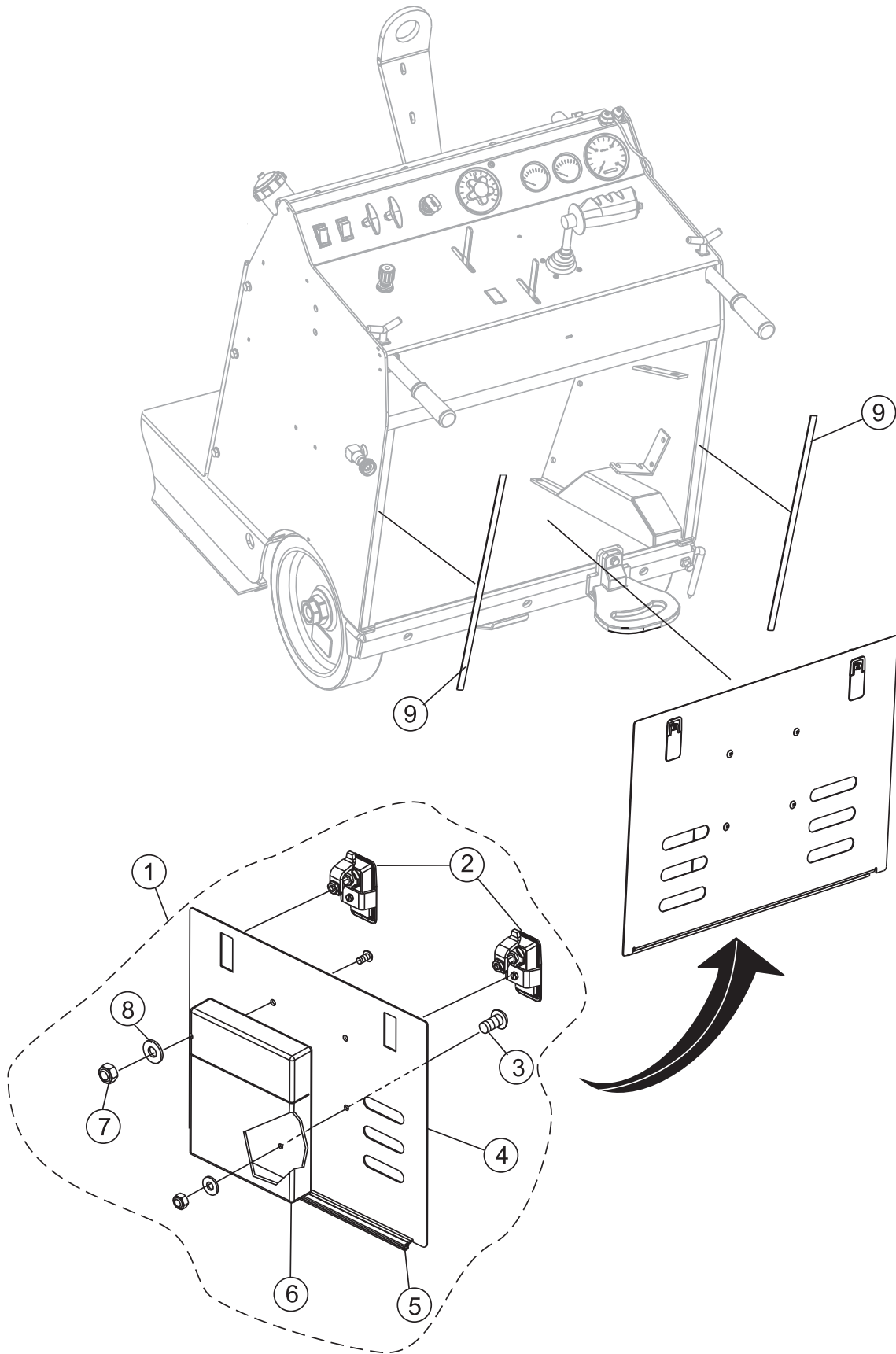
## NAMEPLATE AND DECALS ASSY.

### NAMEPLATE AND DECAL ASSY.

<u>NO</u>	<u>PART NO</u>	<u>PART NAME</u>	<u>QTY.</u>	<u>REMARKS</u>
1	25250-001	DECAL, WARNING, KEEP FEET CLEAR	2	
2	606004	DECAL, BLADE GUARD REMOVAL	2	
3	25782	DECAL, MQ DIAMOND LOGO	4	
4	21302	DECAL, WARNING, INSTALL BLADE GUARD .....	1.....	REPLACES P/N 606004
5	25786	DECAL, SP4 LOGO	2	
6	13118	DECAL, POWDER COATED	1	
7	35137	DECAL, WARNING, READ MANUAL	1	
8	1997	DECAL, NAMEPLATE	1	
9	M600002	DECAL, DIESEL FUEL ONLY	1	
10	22122-001	DECAL, WARNING, SERIOUS INJURY	1	
11	25249-001	DECAL, WARNING, KEEP HANDS CLEAR	2	
12	23330-001	DECAL, CAUTION, DRIVE BELT	1	
13	25491	DECAL, ROTATION, CW	1	
14	20525	DECAL, WARNING, PROPOSITION 65	1	
15	604001	DECAL, WARNING, INSTALL BELT GUARD	1	
16	25678	DECAL, ROTATION, CCW	1	

# ACCESS PANEL ASSY.

ACCESS PANEL ASSY.



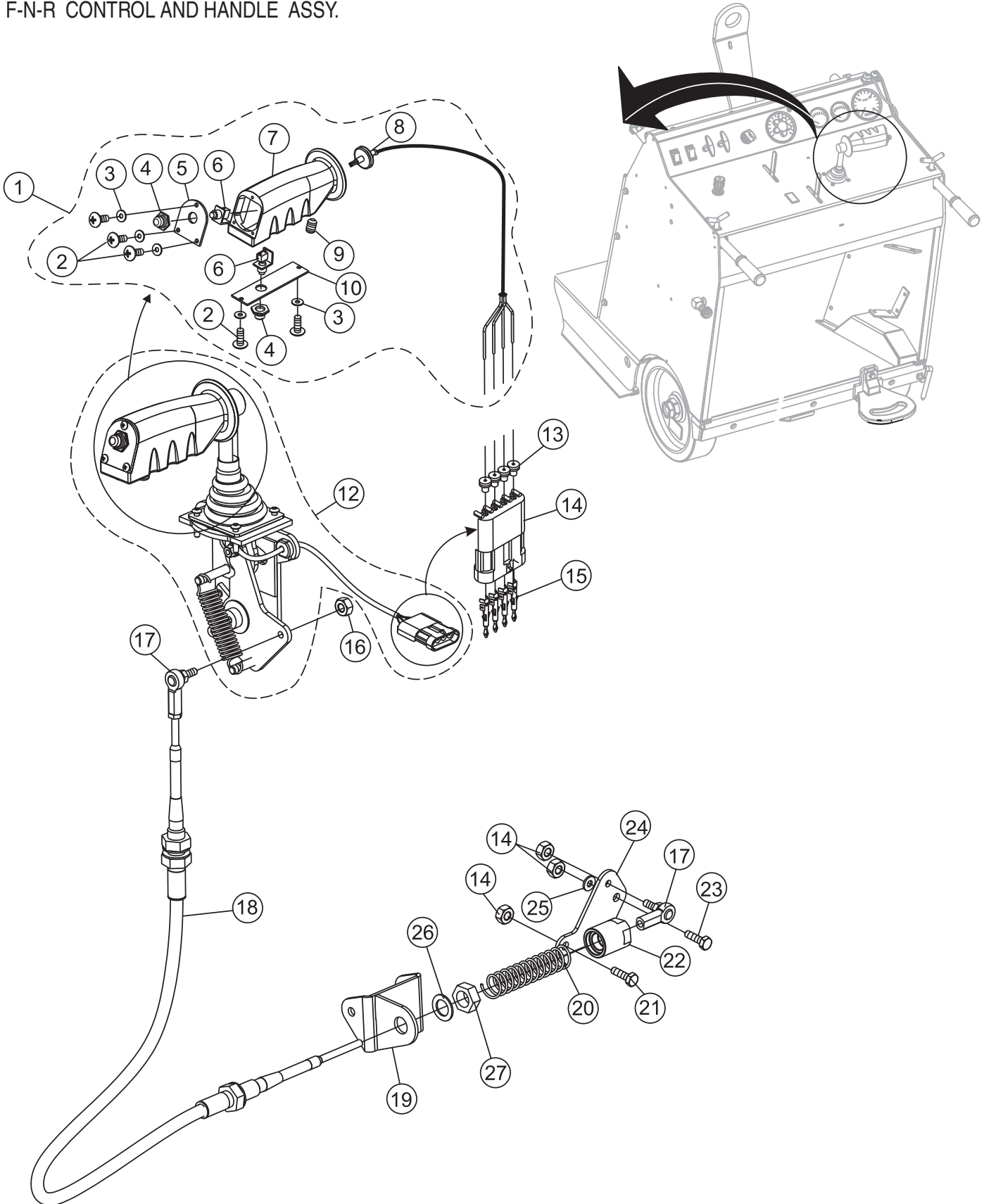
# ACCESS PANEL ASSY.

## ACCESS PANEL ASSY.

<u>NO</u>	<u>PART NO</u>	<u>PART NAME</u>	<u>QTY.</u>	<u>REMARKS</u>
1	102039	PANEL ASSY., REAR CONSOLE, RED .....	1 .....	INCLUDES ITEMS W/*
2*	560020	LATCH, REAR SAW ACCESS PANEL	2	
3*	12287	SCREW, THP 1/4-20 X 3/4" SS	4	
4*	102039-1	PANEL, REAR CONSOLE 6000, RED	1	
5*	577002	WEATHER STRIP, REAR SAW ACCESS PANEL	1.75 FT.	
6*	29057	DOCUMENT BOX, CP90007-07	1	
7*	10024	NUT, NYLOCK 1/4-20	4	
8*	10930	WASHER, FENDER, 1/4 X 1-1/4"	4	
9	29093	GASKET, TRIMLOCK X-109BT	2	

# F-N-R CONTROL AND HANDLE ASSY.

F-N-R CONTROL AND HANDLE ASSY.





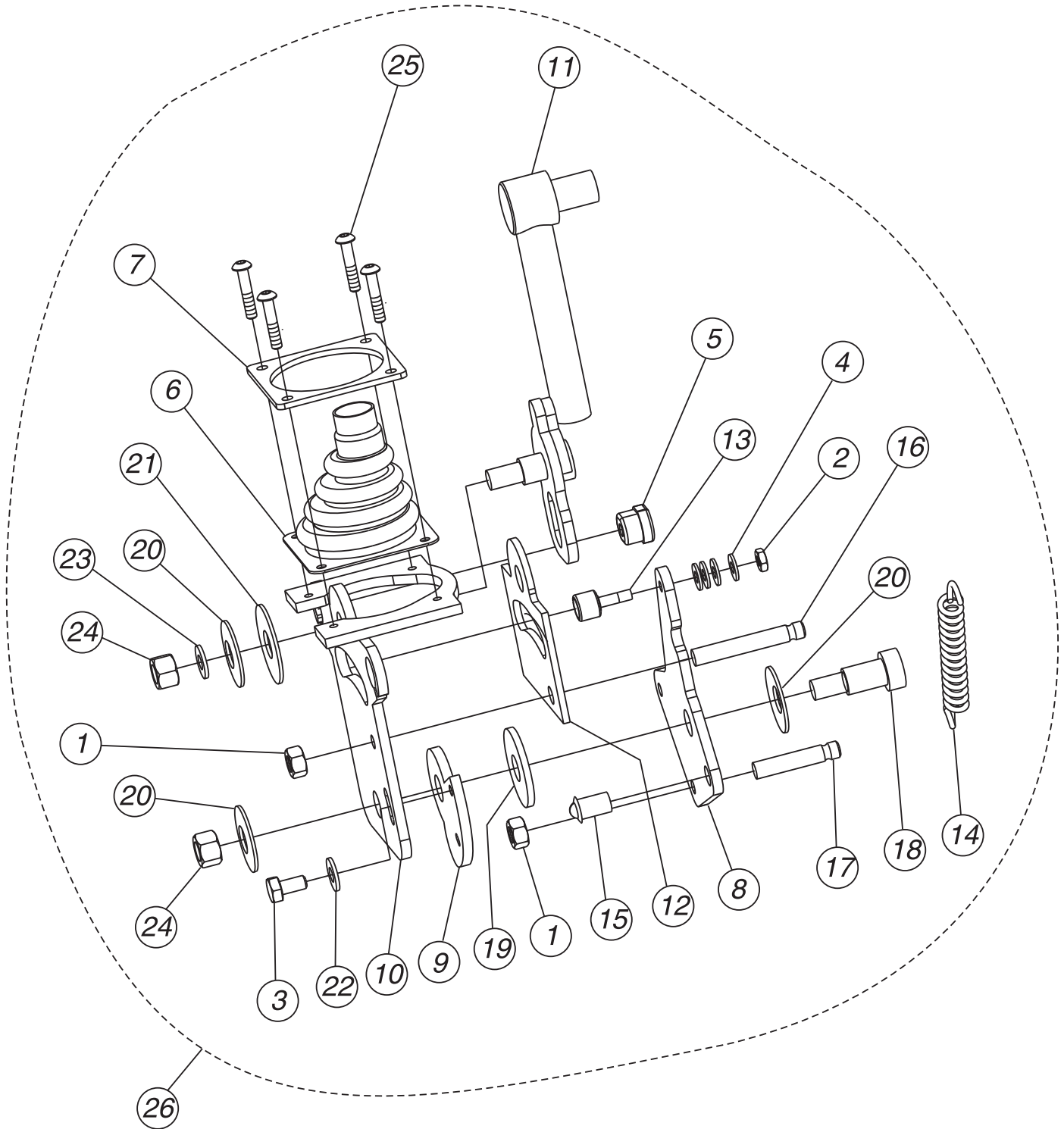
## F-N-R CONTROL AND HANDLE ASSY.

### F-N-R CONTROL AND HANDLE ASSY.

<u>NO</u>	<u>PART NO</u>	<u>PART NAME</u>	<u>QTY.</u>	<u>REMARK</u>
1%	560030	F-N-R CONTROL HANDLE ASSY. ....	1	INCLUDES ITEMS W/*
2*%	560028-6	SCREW, #6-32 X 3/8	5	
3*%	5600028-8	WASHER, FLAT #4 NYLON	5	
4*%	560028-4	RUBBER BOOT	2	
5*%	560028-3	PLATE, SIDE SWITCH	1	
6*%	560028-5	SWITCH ASSEMBLY	2	
7*%	560028-1	HANDLE HOUSING	1	
8*%	60118	WIRE, F-N-R	1	
9*%	925381	SCREW, SET 1/4-20 X 3/8	1	
10*%	560028-2	PLATE, FRONT SWITCH	1	
12	25627	F-N-R CONTROL ASSY. ....	1	INCLUDES ITEMS W/%
13%	405070	SEAL, WEATHERPACK, RED	4	
14%	12223	TERMINAL WEATHERPACK	4	
15%	405046	CONNECTOR, TERMINAL, MALE	4	
16	6904	NUT, HEX FINISH 1/4-28 ZINC	4	
17	580001	ROD END, 1/4-20 FEMALE RH	2	
18	440006	CABLE, CONTROL 40" X 2" STROKE	1	
19	120077	MOUNT W/A TRANSAXLE CTRL. CABLE	1	
20	565006	SPRING, CTRL. CABLE TENSIONING	1	
21	915003	SCREW, HHC 1/4-20 X 3/4 GRD. 8	1	
22	584044	RETAINER, FNR CABLE SPRING	1	
23	2295	SCREW, HHC 1/4-20 X 7/8	1	
24	440005	PLATE, F-N-R PINTLE CONTROL	1	
25	933240	WASHER, FLAT SAE 1/4" GRD. 9	1	
26	TBD	WASHER	1	
27	TBD	NUT	1	

# JOYSTICK MOUNTING ASSY.

JOYSTICK MOUNTING ASSY.

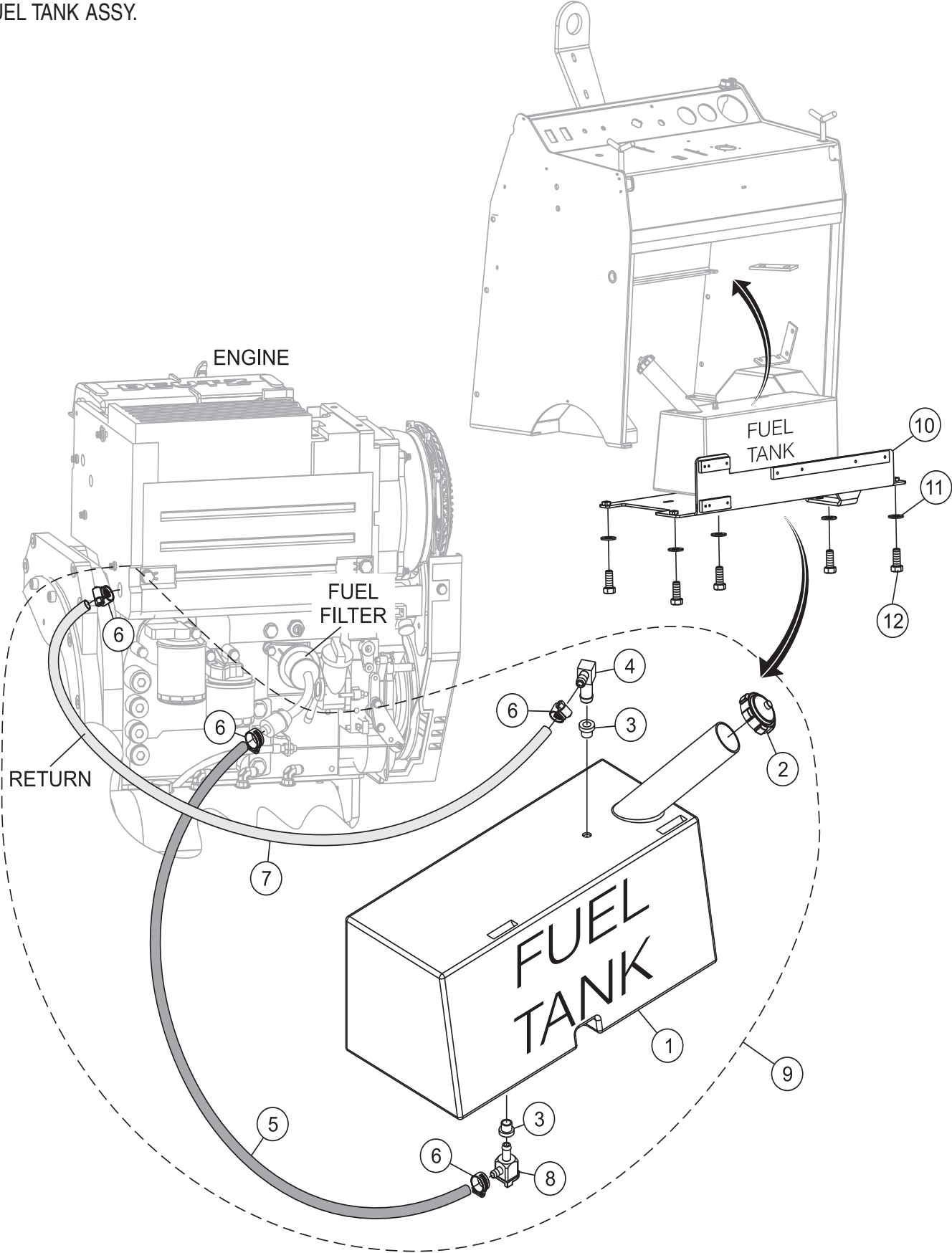


# JOYSTICK MOUNTING ASSY.

## JOYSTICK MOUNTING ASSY.

<u>NO</u>	<u>PART NO</u>	<u>PART NAME</u>	<u>QTY.</u>	<u>REMARK</u>
1*	0161D	NUT, HEX FINISH 5/16-18	2	
2*	10019	NUT, FYLOC #10-32	1	
3*	1579	SCREW. JJC 1/4-20 X .5	1	
4*	2203	WASHER, FLAT, #10	4	
5*	405053	CORD GRIP, SAW FNR CONTROL	1	
6*	442005-6	BOOT, FNR CONTROL HANDLE	1	
7*	442006-3	SPACER, F-N-R	1	
8*	442011	BELLCRANK, SAW F-N-R	1	
9*	442012	PLATE, NEUTRAL DETENT	1	
10*	442013	F-N-R MOUNTING PLATE	1	
11*	442021	CONTROL LEVER	1	
12*	442022	SPACER, F-N-R DELRIN	1	
13*	460018	CAM ROLLER, SAW FNR CONTROL	1	
14*	565005	EXTENSION SPRING F-N-R CONTROL	1	
15*	584021	DENTENT BALL, SAW FNR CONTROL	1	
16*	584023	PIN, LONG SPRING HANGER	1	
17*	584024	PIN, SHORT SPRING HANGER	1	
18*	926348	SCREW, SHOULDER 3/8-16 X 3/4	1	
19*	933015	FRICITION DISC, SAW F-N-R	1	
20*	933073	1/2 X 1-1/4 BELLEVILLE WASHER	3	
21*	933225	WASHER, FENDER 1/2 X 1-1/2 ZINC	1	
22*	933240	WASHER, FLAT 1/4 SAE	1	
23*	933242	WASHER, FLAT 3/8 SAE	1	
24*	938062	LOCKNUT 3/8-16YZ	2	
25*	973735	SCREW, BHSC 10-24X1-SS	4	
26	M13004	F-N-R MOUNTING ASSY. ....	1	INCLUDES ITEMS W/*

FUEL TANK ASSY.



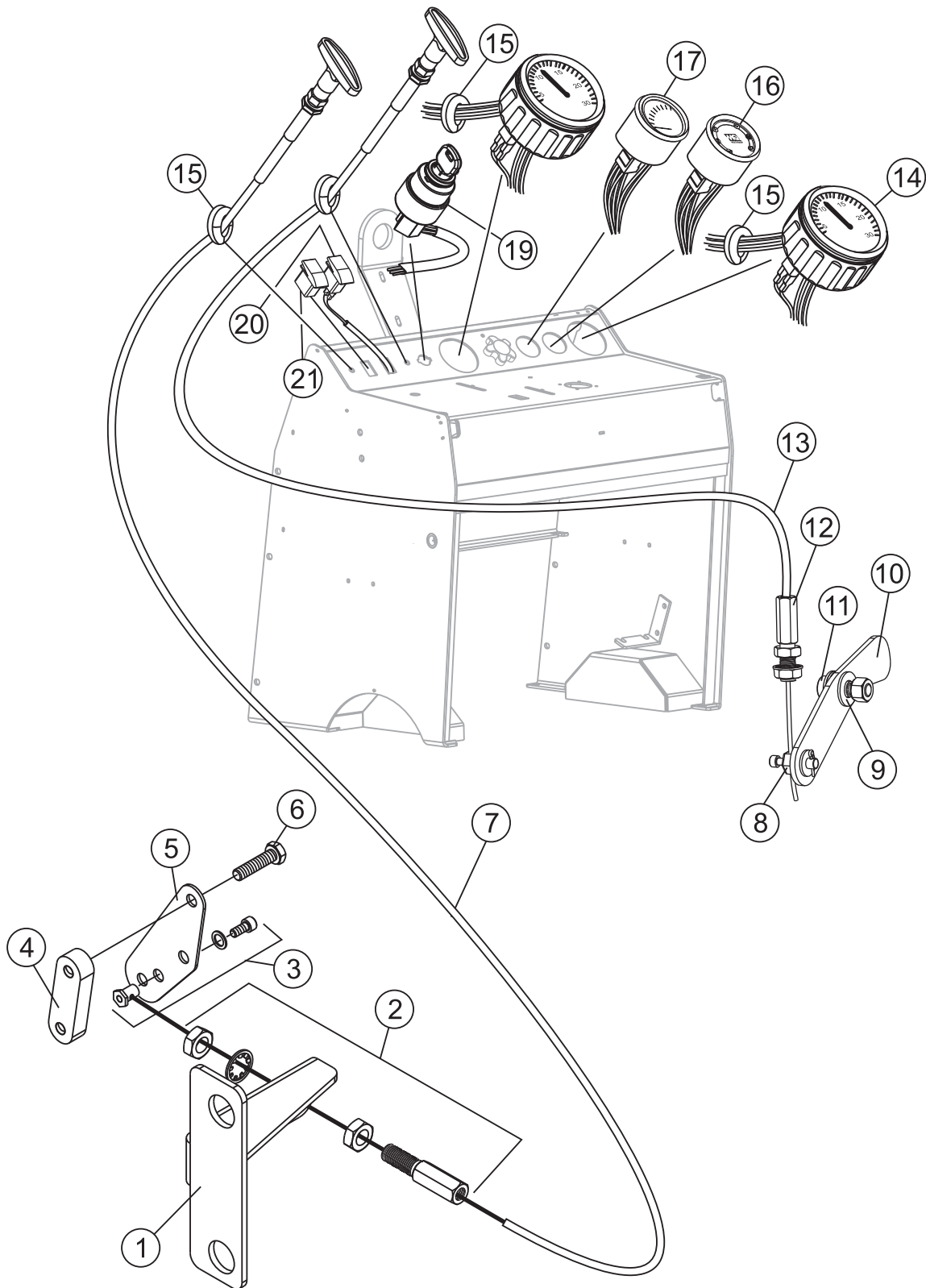
# FUEL TANK ASSY.

## FUEL TANK ASSY.

<u>NO</u>	<u>PART NO</u>	<u>PART NAME</u>	<u>QTY.</u>	<u>REMARK</u>
1*	140004	FUEL TANK, 6000 & 6400 10 GAL	1	
2*	29509	CAP, FUEL TANK 2.25 DIA, ONE WAY VALVE	1	
3*	19633	BUSHING, RUBBER FUEL DAPCO 10672	2	
4*	368006	FITTING, FUEL 90 DEG. #4 X #6 BARB	1	
5*	35009	HOSE, 22.5" - 5/16" FUEL LINE	1	
6*	19473	CLAMP, HOSE WORM # 2	4	
7*	35007	HOSE, 26.5" - 1/4" FUEL LINE	1	
8*	37128	VALVE, FUEL ON/OFF	1	
9	25553	FUEL TANK ASSY.....	1	INCLUDES ITEMS W/*
10	102043-1	PLATFORM W/A SAW FUEL TANK	1	
11	933242	WASHER, FLAT SAE 3/8" GRADE 9	5	
12	0166	SCREW, HHC 3/8-16" X 7/8"	5	

# GAUGES AND CONTROLS ASSY.

GAUGES AND CONTROLS ASSY.

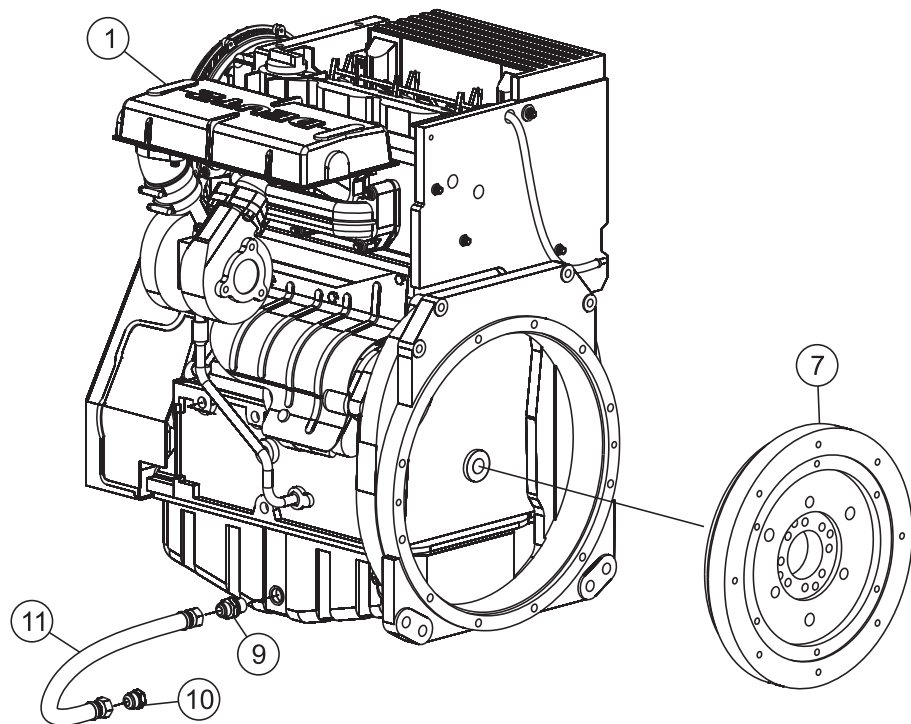
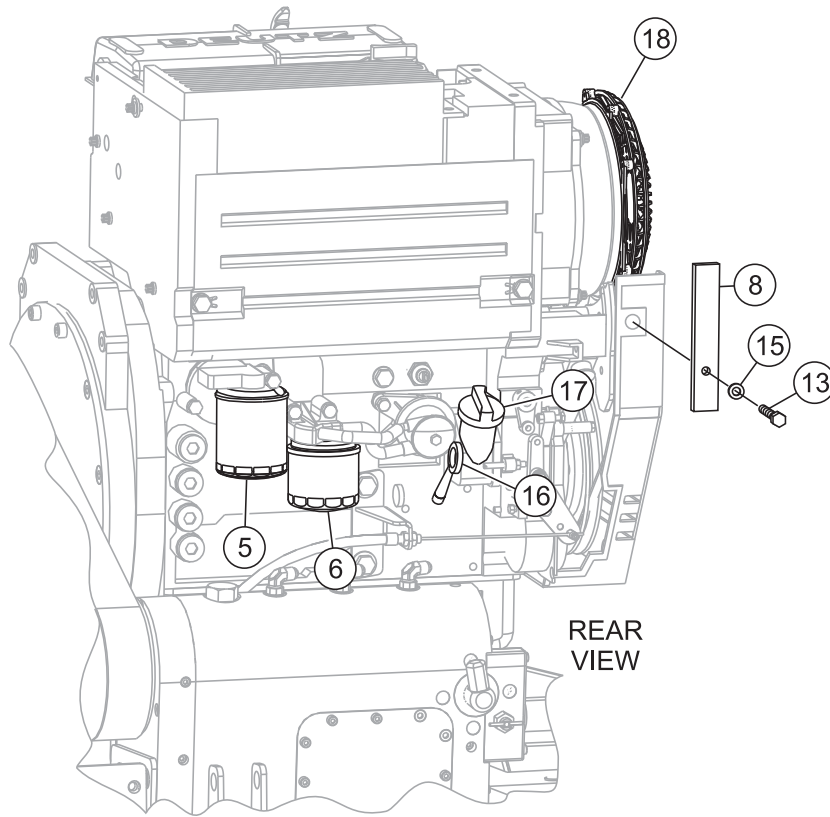


## GAUGES AND CONTROLS ASSY.

### GAUGES AND CONTROLS ASSY.

<u>NO</u>	<u>PART NO</u>	<u>PART NAME</u>	<u>QTY.</u>	<u>REMARK</u>
1	120222	BRACKET, DUETZ THROTTLE CABLE	1	
2	25634	BULK HEAD ADAPTOR	1	
3	25624	SWIVEL, CABLE END	1	
4	448004-1	SPACER, DEUTZ THROTTLE ACTUATOR ARM	1	
5	448004	ARM, DEUTZ THROTTLE ACTUATOR	1	
6	M940653	SCREW, HHC M6-1.0 X 25MM GR10.9	2	
7	15171	CABLE, PULL (THROTTLE)	1	
8	584028	PIVOT END, CABLE	1	
9	933242	WASHER, FLAT SAE 3/8 GRD 9 YZ	6	
10	448006	CAM LEVER, CONCRETE SAW	1	
11	926327	SCREW, SHDLR 3/8D X 1/2L, 5/16-1,SCKT HD	1	
12	25634	BULK HEAD ADAPTOR	1	
13	15171	CABLE, PULL (DRIVE ENGAGE)	1	
14	421000	TACHOMETER, ELECTRIC 0-3000 RPM	1	
15	579072	GROMMET. 1/2" ID	4	
16	406021	INDICATOR, ENGINE	1	
17	423000	VOLTMETER	1	
18	406017-1	KEY, IGNITION	2	
19	406017	IGNITION SWITCH W/KEYS	1	
20	406000	SWITCH, ROCKER, CH# M-58031-01 .....	2 .....	AUX AND LIGHTS
21	406020	BLANK, ROCKER SWITCH COVER .....	1 .....	AUX SWITCH NOT USED

ENGINE ASSY.





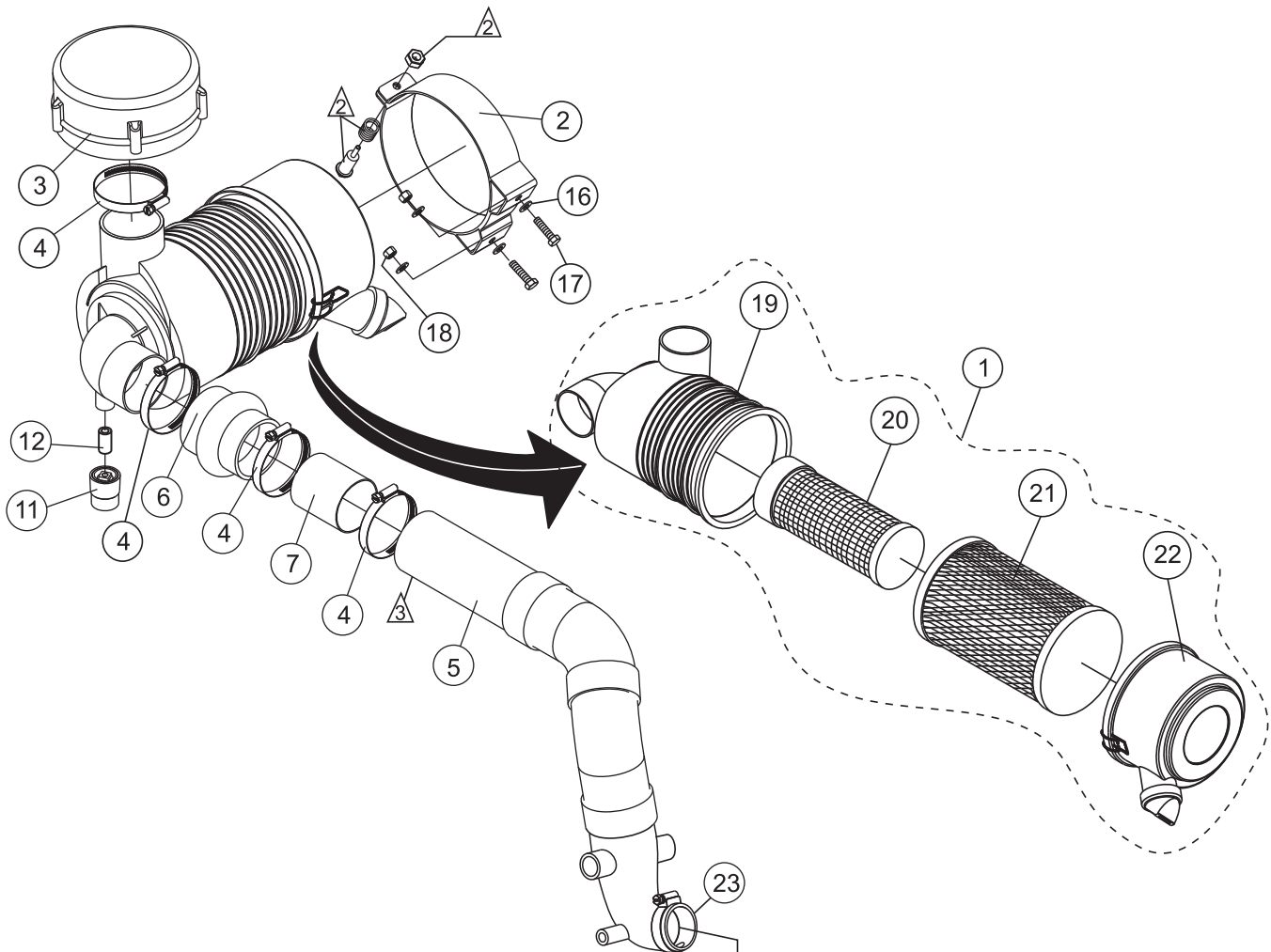
# ENGINE ASSY.

## ENGINE ASSY.

<u>NO.</u>	<u>PART NO.</u>	<u>PART NAME</u>	<u>QTY.</u>	<u>REMARKS</u>
1	35396	ENGINE, DEUTZ BF3L 2011 60HP TURBO DIESEL	1	
5	306012	FILTER, OIL, DEUTZ	1	
6	304010	FILTER, FUEL, DEUTZ	1	
7	267002	FLYWHEEL, MODIFIED BF 3L 1011 FL	1	
8	205007	PLATE, HANDLEBAR STOP	1	
9	367681	FITTING, STR 8MJ-M18MO	1	
10	366030	FITTING, PLUG 8MJ	1	
11	35017	HOSE ASSY, 19.9" #8LP W/ 370677/370677	1	
13	946703	SCREW, HHC M8-1.25 X 25MM GR10.9	1	
15	933242	WASHER	1	
16	TBD	DIPSTICK	1	
17	TBD	OIL FILLER CAP	1	
18	267009	BLOWER JACKET 57HP DEUTZ TD 04179632	1	

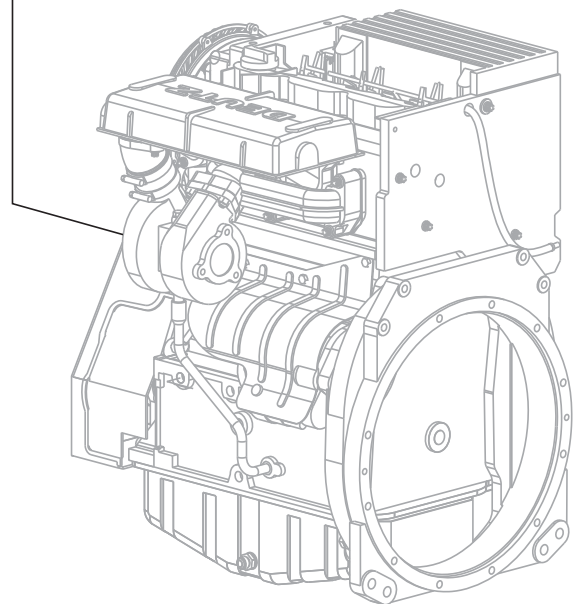
# AIR INTAKE HOSE ASSY.

## AIR INTAKE HOSE ASSY.



### NOTES:

- ① AIR INTAKE HOSE ORIENTATION MAY BE FLIPPED ON UNIT
- ② INCLUDED WITH ITEM 2. CANNOT BE PURCHASED SEPARATELY.
- ③ CUT END TO FIT.



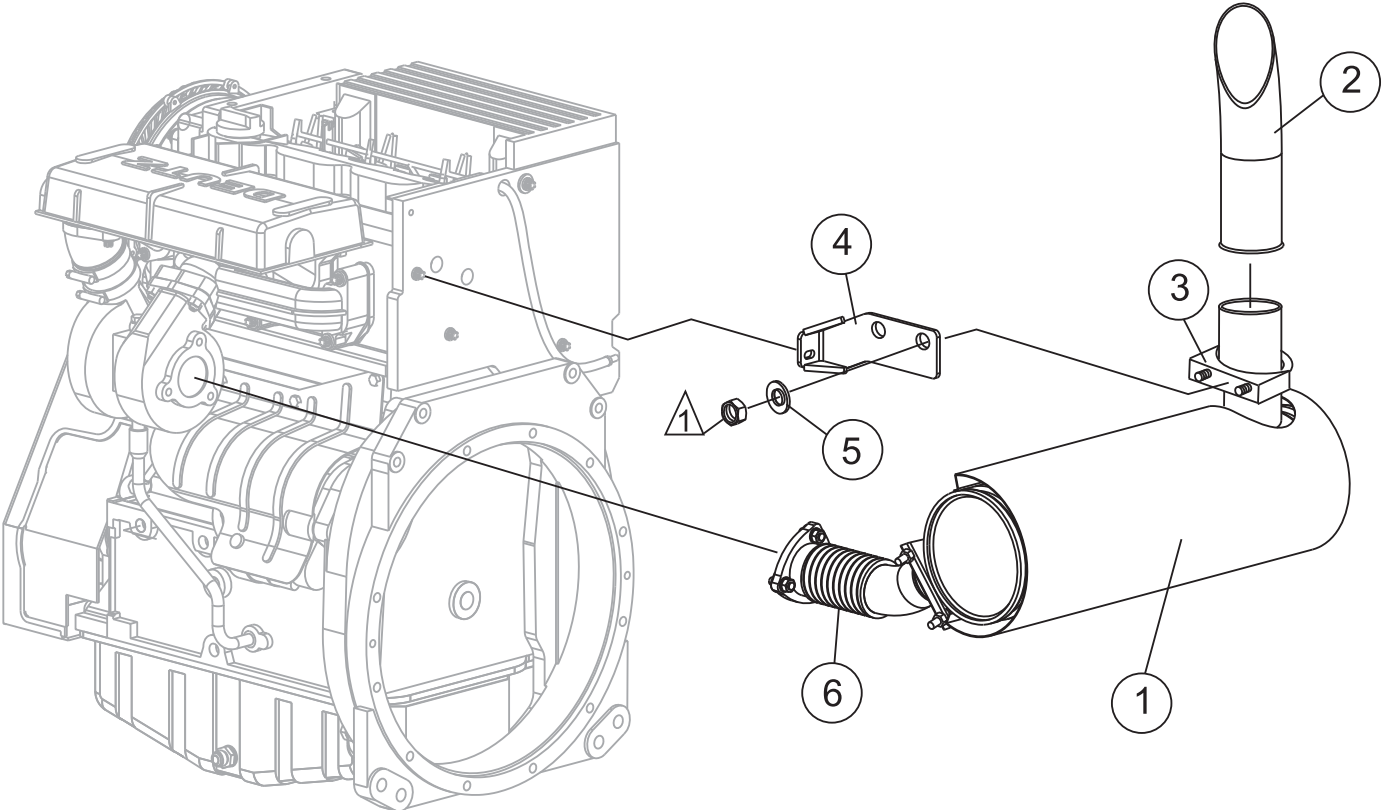
# AIR INTAKE HOSE ASSY.

## AIR INTAKE HOSE ASSY.

<u>NO</u>	<u>PART NO</u>	<u>PART NAME</u>	<u>QTY.</u>	<u>REMARK</u>
1	300010	AIR CLEANER, DONALDSON, W/90 DEG. BEND .....	1 .....	INCLUDES ITEMS W/*
2	300007-1	BAND, DONALDSON AIR CLEANER	1	
3	282003	PREFILTER, ENGINE AIR 3"	1	
4	29218	CLAMP, HOSE WORM #48	3	
5	25625	AIR INTAKE HOSE ASM	1	
6	302009	HOSE, HUMP 3" x 2.75"	1	
7	584036	TUBING, AIR CLEANER SPLICE	1	
8	302012	TUBE, CRANCASE BREATHER, 57HP	1	
11	406018	INDICATOR, ELECTRICAL SERVICE 30" H2O/7.5KPa	1	
12	65516	FITTING, NIPPLE 1/8" MP	1	
16	933241	WASHER, FLAT SAE 5/16 GRD 9 YZ	4	
17	2623	SCREW, HHC 5/16-18 x 1-1/4	2	
18	5283	NUT, NYLOC 5/16-18	2	
19*	300010-1	BODY, AIR FILTER	1	
20*	300009	AIR FILTER, SAFETY ELEMENT	1	
21*	300008	AIR FILTER, PRIMARY ELEMENT	1	
22*	300010-2	CAP, AIR FILTER	1	
23	15538	CLAMP, HOSE WORM #6, 7/16-11/16	1	

# MUFFLER KIT ASSY.

MUFFLER KIT ASSY.



NOTES:

① INCLUDED WITH ITEM 3.

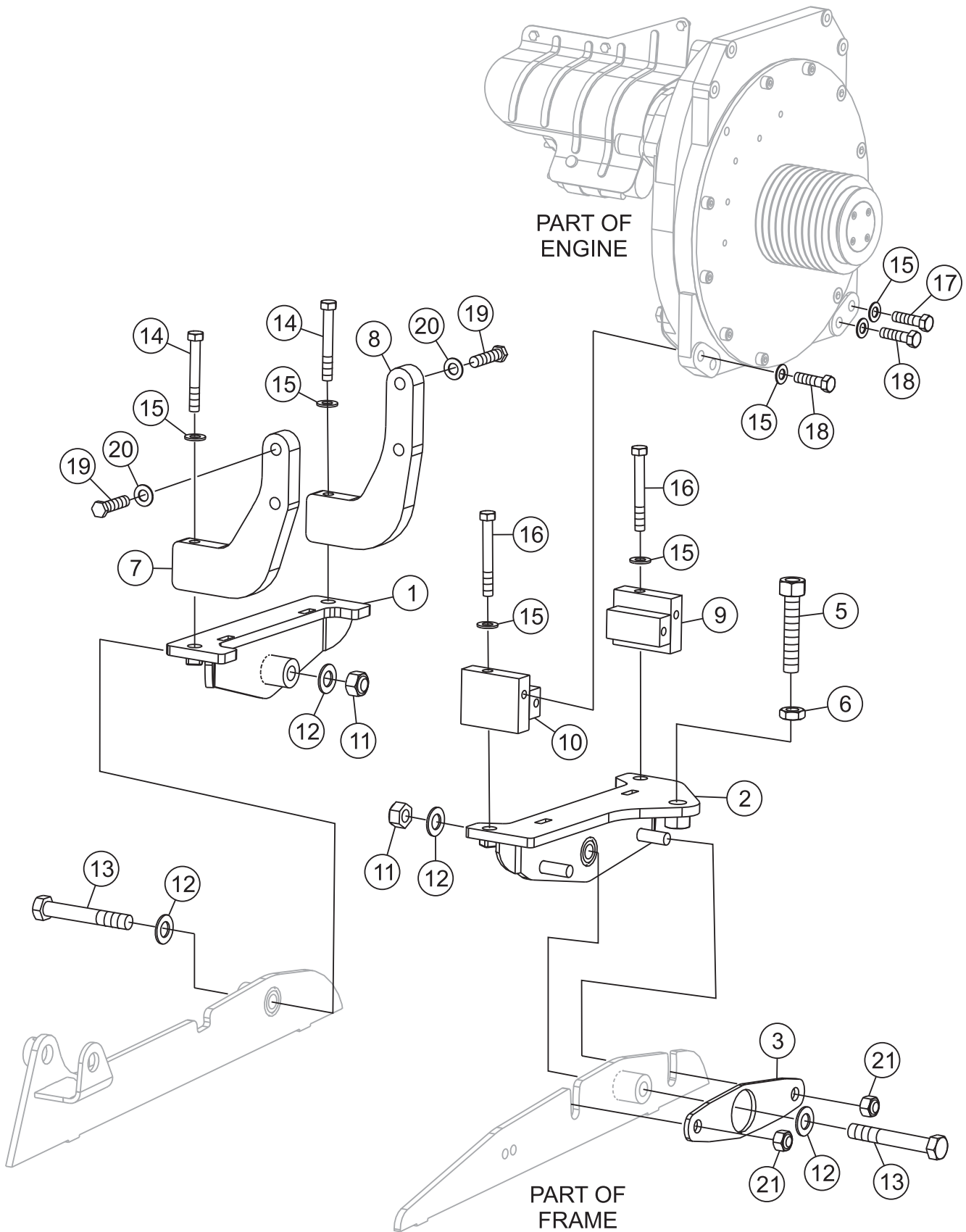
# MUFFLER KIT ASSY

MUFFLER KIT ASSY.

<u>NO</u>	<u>PART NO</u>	<u>PART NAME</u>	<u>QTY.</u>	<u>REMARK</u>
1	280002	MUFFLER AND FLEX KIT ASSY.	1	
2	285003	EXHAUST, 12" EXTENSION	1	
3	570005	CLAMP, MUFFLER 2-1/2", 5/16" U-BOLT	1	
4	106088	BRACKET W/A, DEUTZ MUFFLER SUPPORT	1	
5	0300 B	WASHER, FLAT SAE 5/16	2	
6	280002	FLEX KIT	1	

# ENGINE MOUNTING ASSY.

ENGINE MOUNTING ASSY.



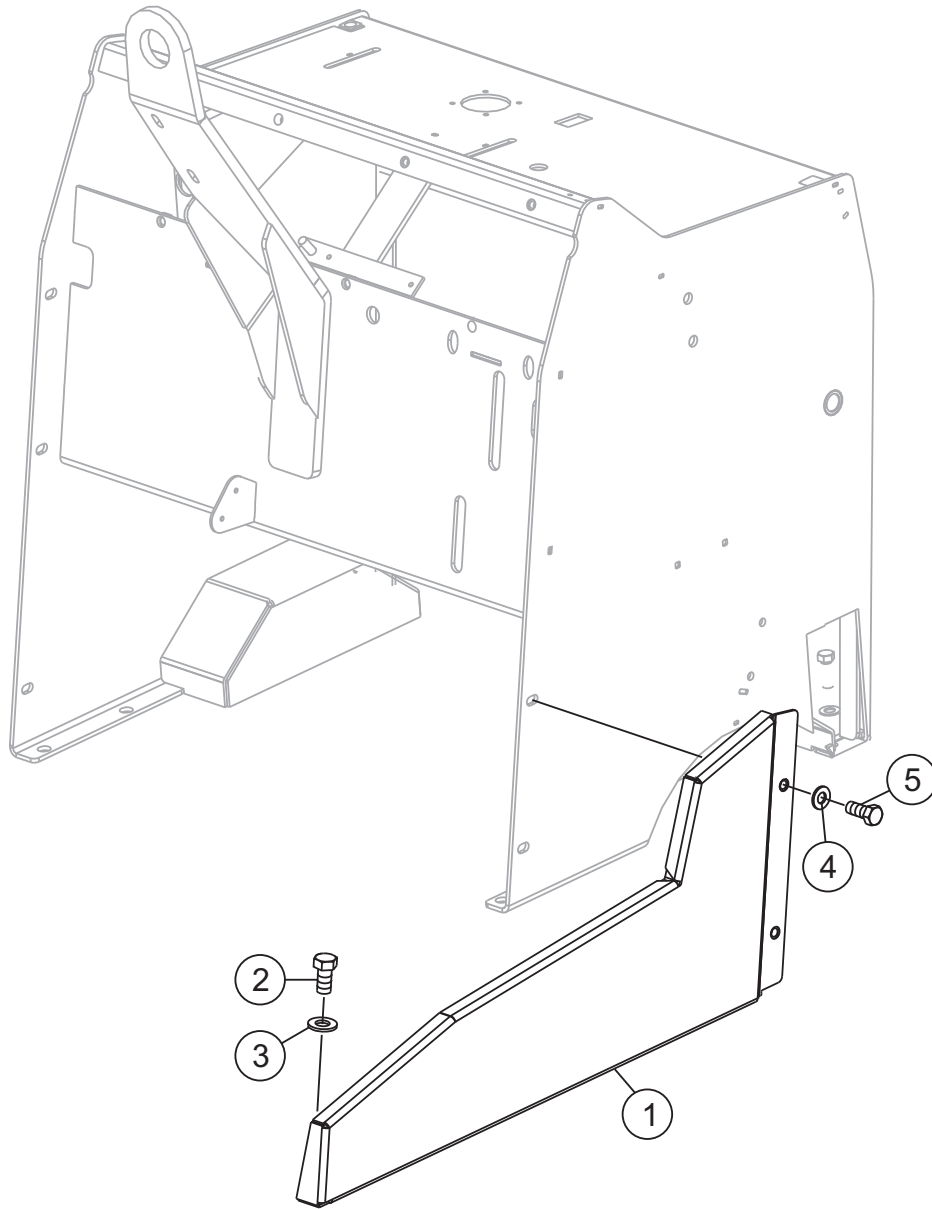
# ENGINE MOUNTING ASSY.

## ENGINE MOUNTING ASSY.

<u>NO.</u>	<u>PART NO.</u>	<u>PART NAME</u>	<u>QTY.</u>	<u>REMARKS</u>
1	120266	FRONT ENGINE TRUNNION	1	
2	120267	REAR ENGINE TRUNNION	1	
3	120268	RETAINER PLATE	1	
4	937188	NUT, LOCK NUT,NYLOC 5/8-11GRD8	2	
5	913838	SCREW, HHC 3/4-10X4 FT GR8	1	
6	936216	NUT, HEX JAM 3/4-10, ZINC	1	
7	120270	SUPPORT ARM, LH DEUTZ ENGINE	1	
8	120271	SUPPORT ARM, RH DEUTZ ENGINE	1	
9	120274	ENGINE MOUNT, RH REAR DEUTZ ENGINE, WA	1	
10	120273	ENGINE MOUNT, LH REAR DEUTZ ENGINE, WA	1	
11	938067	NUT, TOP LOCK 3/4-10 GR9YZ	2	
12	933247	WASHER, FLAT SAE 3/4 GRD 9 YZ	4	
13	915373	SCREW, HHC 3/4-10X5GRD 8	2	
14	915218	SCREW, HHC 1/2-13 X 3-3/4GRD8	2	
15	933244	WASHER, FLAT SAE 1/2 GRD 9 YZ	7	
16	16521	SCREW, HHC 1/2-13 X 4 GD8	2	
17	25716	SCREW, MODIFIED 1/2-13 X 1 3/4 GR5	1	
18	915211	SCREW, HHC 1/2-13 X 2 GR8 YZ	3	
19	940738	SCREW, HHC M14-2.0X50MM GRD. 10.9	4	
20	933245	WASHER, FLAT SAE 9/16 GRD 9 YZ	4	
21	TBD	NUT	2	

# ENGINE GUARD ASSY.

ENGINE GUARD ASSY.





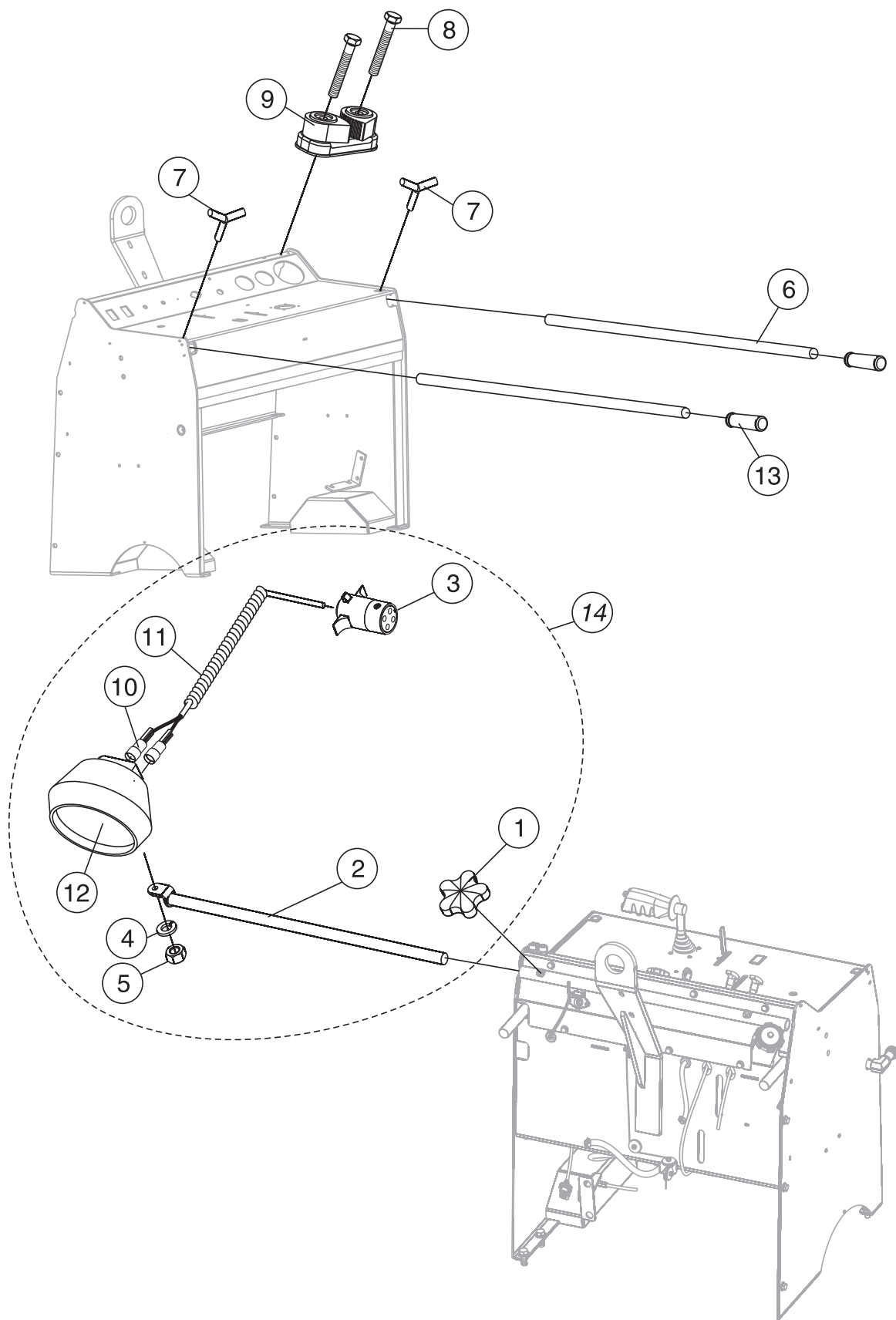
## ENGINE GUARD ASSY.

### ENGINE GUARD ASSY.

<u>NO.</u>	<u>PART NO.</u>	<u>PART NAME</u>	<u>QTY.</u>	<u>REMARKS</u>
1	205011	ENGINE GUARD, WA	1	
2	3214	SCREW, HHC 1/2-13 X 1 1/4	1	
3	933244	1/2 SAE FLAT WASHER YZ9	1	
4	TBD	WASHER	2	
5	TBD	HEX BOLT	2	

# HANDLE AND LIGHT ASSY.

HANDLE AND LIGHT ASSY.



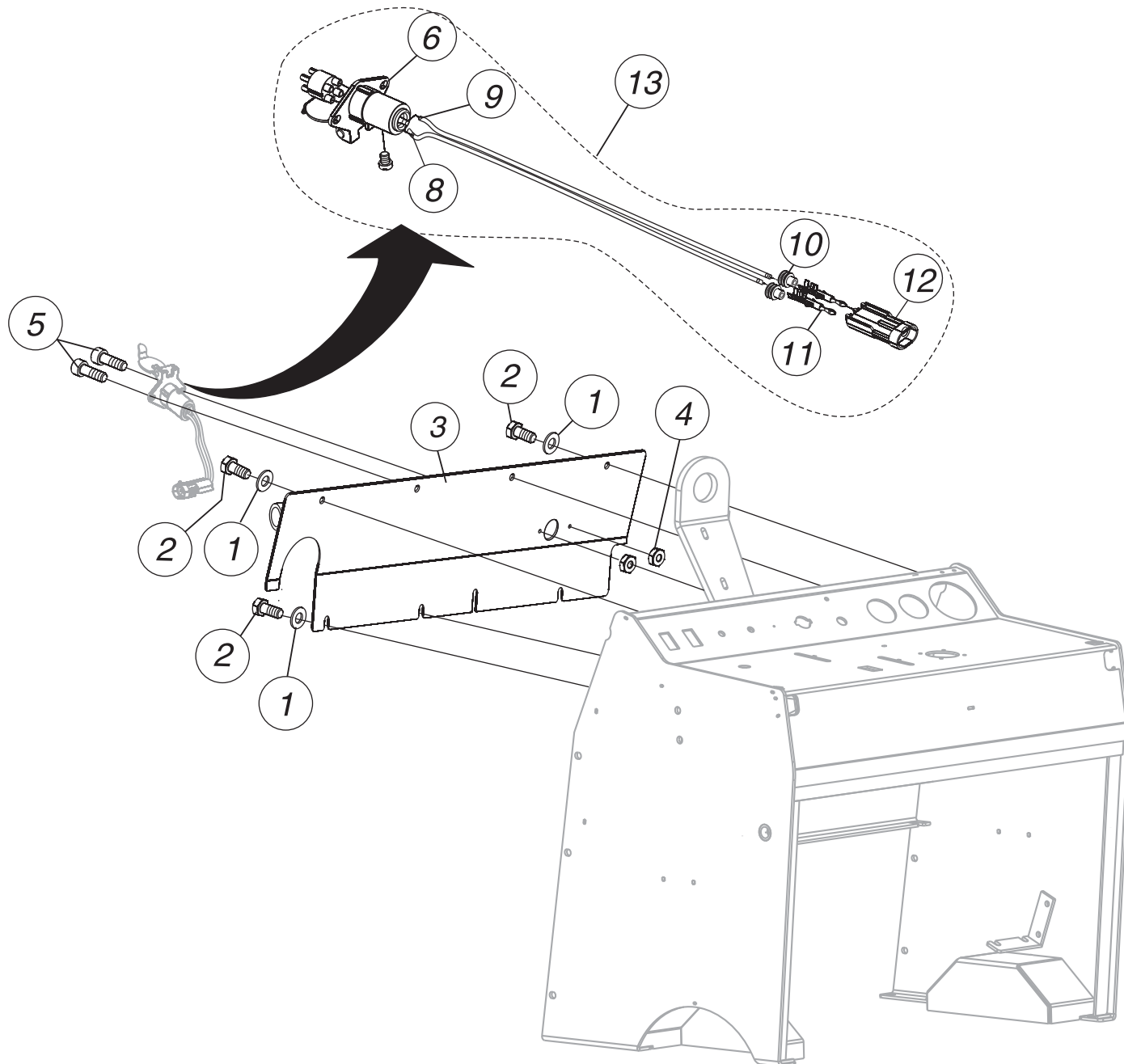
# HANDLE AND LIGHT ASSY.

## HANDLE AND LIGHT ASSY.

<u>NO.</u>	<u>PART NO.</u>	<u>PART NAME</u>	<u>QTY.</u>	<u>REMARKS</u>
1*	15503	KNOB, COMFORT GRIP STAR, 3/8 - 16 X 1	2	
2*	102023-2	TUBE, LIGHT BAR	1	
3*	405001	CONNECTOR, PLUG, 4 PIN FEMALE	1	
4*	TBD	WASHER, LOCK	1	
5*	TBD	NUT	1	
6	560023-1	HANDLE BAR, CONCRETE SAW	2	
7	560024	KNOB W/A, HANDLEBAR	2	
8	923199	SCREW, SHC 8-32 X 1-1/4	2	
9	574002	CAM CLEAT	1	
10*	TBD	TERMINAL, FEM-SMALL 16-18 GA	2	
11*	TBD	CORD, LIGHT-EXTENDABLE	1	
12*	TBD	LIGHT ASSY., RECTANGULAR COMP.	1	
13	560017	GRIP HANDLE BAR	2	
14	TBD	LIGHT KIT .....	1	INCLUDES ITEMS W/*

# LIGHT CONNECTOR/DASH PANEL ASSY.

LIGHT CONNECTOR/DASH PANEL ASSY.



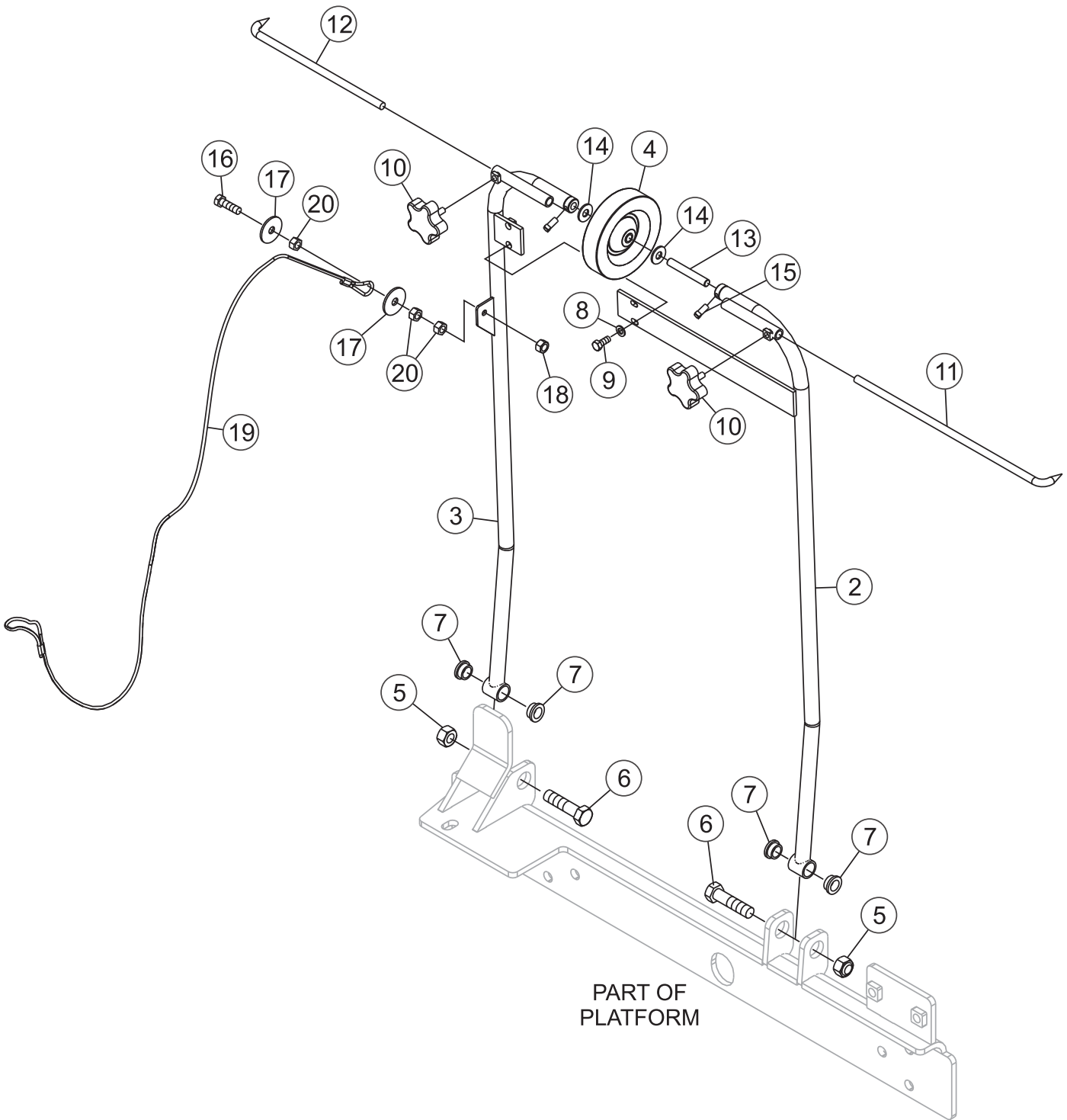
# LIGHT CONNECTOR/DASH PANEL ASSY.

## LIGHT CONNECTOR/DASH PANEL ASSY.

<u>NO.</u>	<u>PART NO.</u>	<u>PART NAME</u>	<u>QTY.</u>	<u>REMARKS</u>
1	933241	WASHER, FLAT SAE 5/16 GRD 9 YZ	7	
2	0655	SCREW, HHC 5/16-18 X 3/4	7	
3	104016	COVER W/A, CONCRETE SAW DASH PANEL	1	
4	13287	NUT, NYLOC 8-32	2	
5	923114	SCREW, SHC 8-32 x 1/2	2	
6*	405000	CONNECTOR, 4-WAY SOCKET CHROME	1	
8*	TBD	WIRE, BLACK #14	TBD	
9*	TBD	WIRE, BLACK #14	TBD	
10*	12171	SEAL, WEATHERPACK 16-18 GA , GREEN	2	
11*	12179	TERMINAL, WEATHERPACK MALE 14-16 GA	2	
12*	12176	CONNECTOR, WEATHERPACK 2 PIN MALE	1	
13	25865	HARNESS, LIGHT KIT .....	1 .....	INCLUDES ITEMS W/*

# POINTER ASSY.

POINTER ASSY.

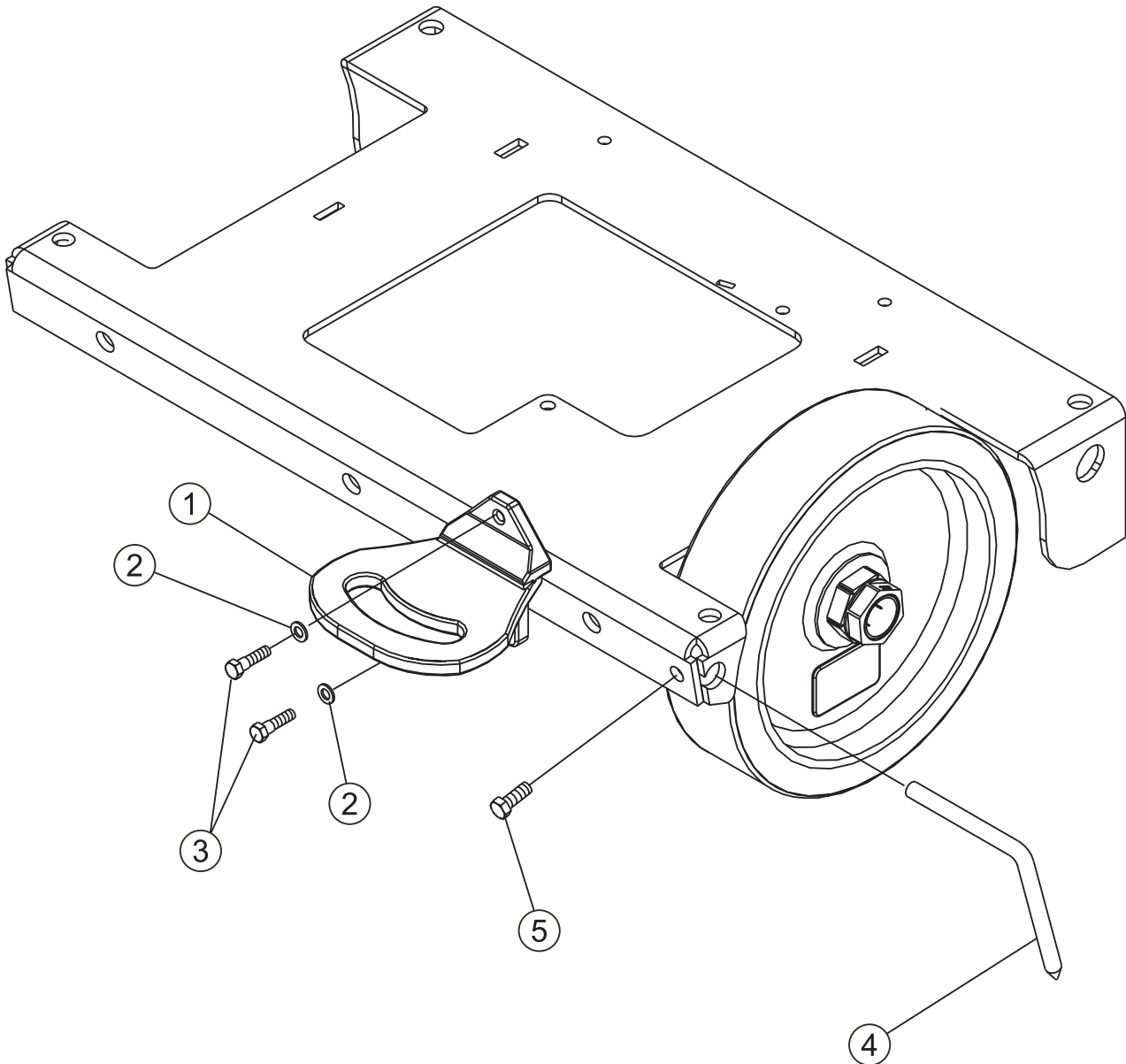


## POINTER ASSY.

<b><u>NO.</u></b>	<b><u>PART NO.</u></b>	<b><u>PART NAME</u></b>	<b><u>QTY.</u></b>	<b><u>REMARKS</u></b>
2	120239	POINTER FRAME WA, RIGHT SIDE 6400	1	
3	120238	POINTER FRAME WA, LEFT SIDE 6400	1	
4	500005	6 X 1 POINTER WHEEL	1	
5	5070 B	NUT, NYLOC 3/4-10	2	
6	995366	SCREW, HHC 3/4-10X3-1/4 YZ5	2	
7	582008	BUSHING, FLANGE, 1 OD X 3/4 ID	4	
8	933241	WASHER, FLAT SAE 5/16 GRD 9 YZ	2	
9	0655	SCREW, HHC 5/16-18 X 3/4	2	
10	15503	KNOB, COMFORT GRIP STAR, 3/8-16 X 1	2	
11	110044	POINTER, RIGHT FRONT 17 1/4 (6457)	1	
12	110045	POINTER, LEFT FRONT 12 1/4	1	
13	160004	AXLE, POINTER WHEEL	1	
14	933244	WASHER, FLAT SAE 1/2 GRD 9 YZ	2	
15	926006	SCREW, SQHS, CP 1/4-20 X 1/2	2	
16	20473	SCREW, HHC 3/8-16 X 3 FULL THREAD GR5	1	
17	3233	WASHER, FENDER, 1.5OD X 3/8ID	2	
18	937185	NUT, LOCK, NYLOC 3/8-16 GRD 8	1	
19	574003	POINTER ROPE ASSY	1	
20	1456	NUT, HEX FINISH 3/8-16	3	

# REAR POINTER AND FOOT REST ASSY.

REAR POINTER AND FOOT REST ASSY.



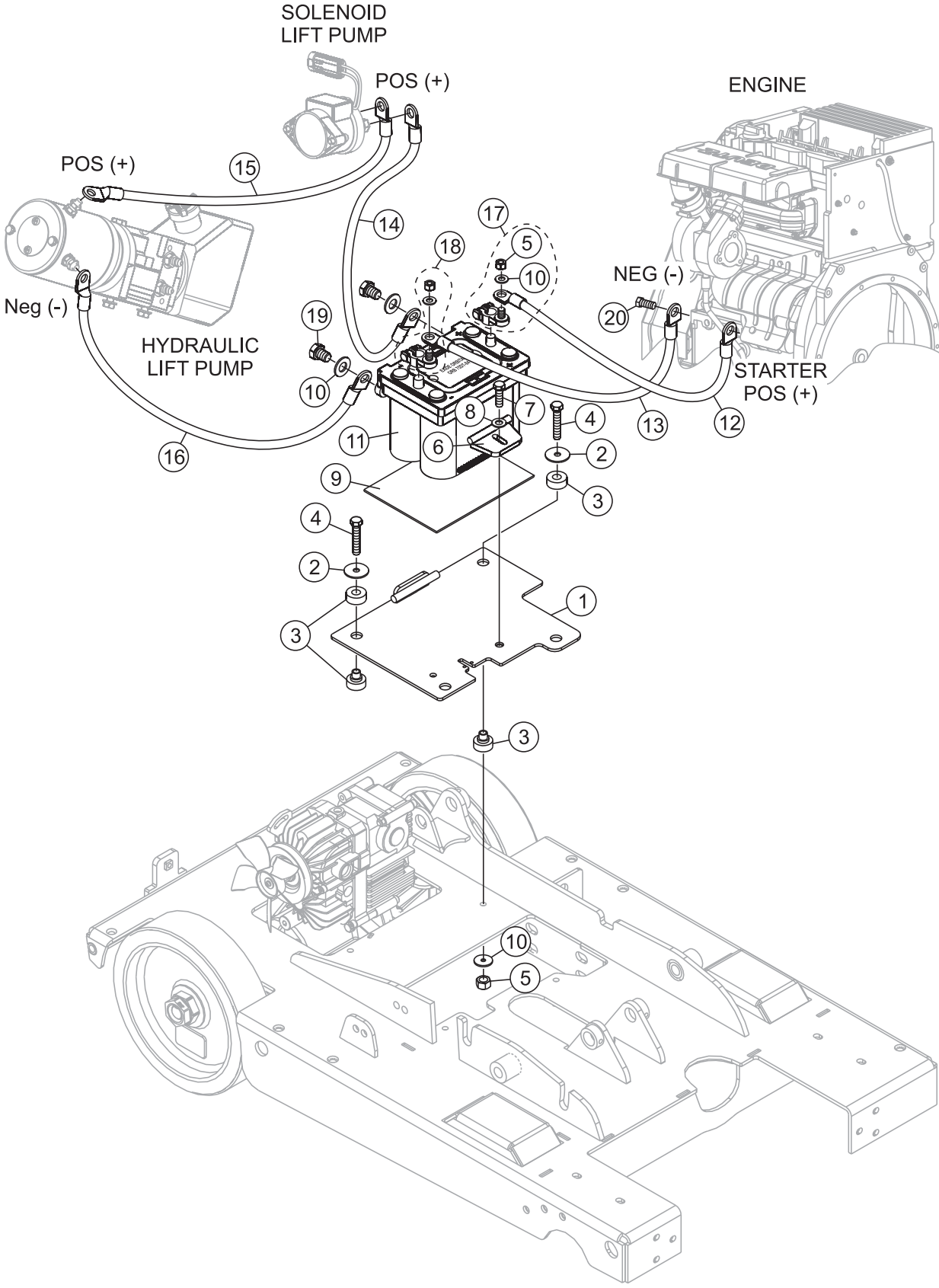


## REAR POINTER AND FOOT REST ASSY.

REAR POINTER AND FOOT REST ASSY.

<u>NO.</u>	<u>PART NO.</u>	<u>PART NAME</u>	<u>QTY.</u>	<u>REMARKS</u>
1	560029	FOOT REST	1	
2	933241	WASHER, FLAT 5/16" YZ9	2	
3	0202	SCREW, HHC 5/16"-18 X 1 ZINC	2	
4	110020	REAR POINTER	1	
5	0205	HCS, 3/8-16 X1	1	

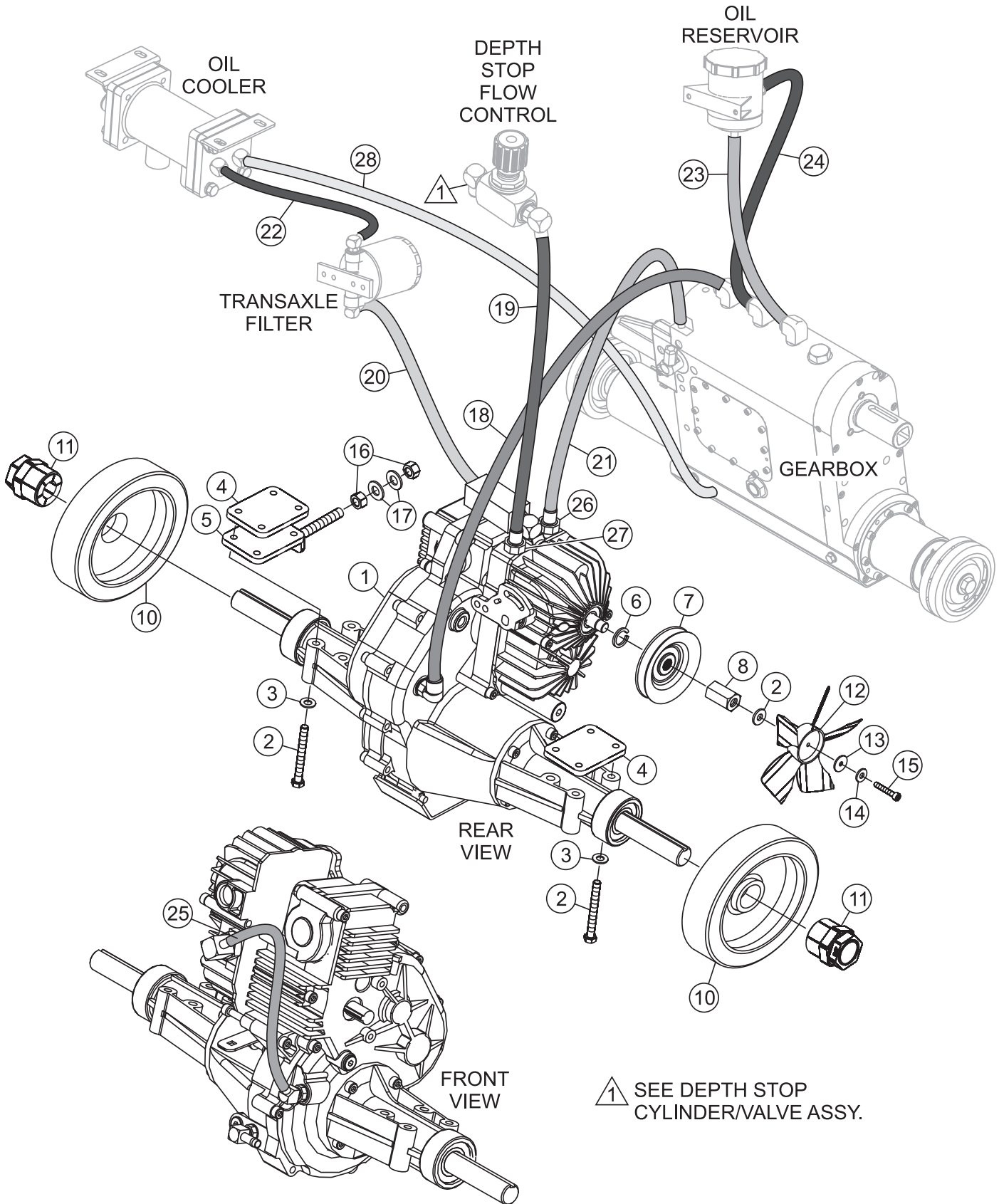
BATTERY ASSY.



## BATTERY ASSY

<b>NO.</b>	<b>PART NO.</b>	<b>PART NAME</b>	<b>QTY.</b>	<b>REMARKS</b>
1	120265	PLATFORM, CONCRETE SAW BATTERY, WA	1	
2	12832	SNUBBING WASHER	4	
3	575001	RUBBER MOUNT ASSY	4	
4	1665	SCREW, HHC 3/8-16 X 2	4	
5	10133	NUT, NYLOC 3/8-16	6	
6	125051	BATTERY RETAINER CLIP W/A 6057 & 6457	1	
7	915109	SCREW, HHC 3/8-16X1-1/2 GR8YZ	1	
8	933242	WASHER, FLAT SAE 3/8 GRD 9 YZ	1	
9	206011	BATTERY RUBBER PAD	2	
10	10136	WASHER, FLAT SAE 3/8	8	
11	404006	BATTERY	1	
12	35037	CABLE ASSY, BATTERY POS (+) TO STARTER (+)	1	
13	35032	CABLE ASSY, ENGINE GROUND	1	
14	35033	CABLE ASSY, BATT. TO LIFT PUMP SOLENOID	1	
15	35036	CABLE ASSY, LIFT PUMP SOL. TO LIFT PUMP POS (+)	1	
16	35035	CABLE ASSY, BATTERY TO LIFT PUMP NEG (-)	1	
17	405060	TERMINAL, POSITIVE BATTERY, MARINE	1	
18	405061	TERMINAL, NEGATIVE BATTERY, MARINE	1	
19	915101	SCREW, HHC 3/8-16 X 1/2 GRD8	2	
20	940692	SCREW, HHC M10-1.5 X 20 MM	1	

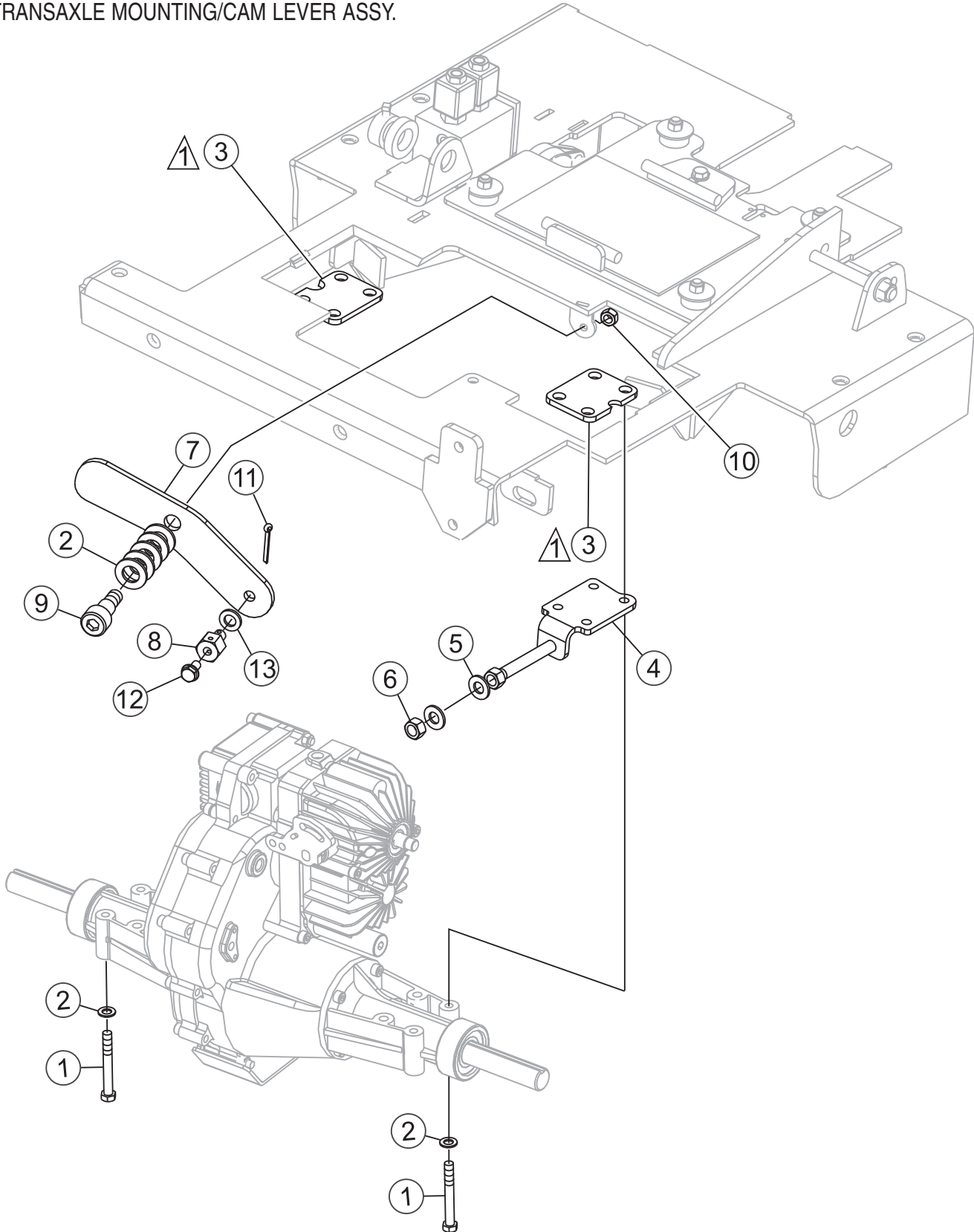
## DRIVE ASSY.



<u>NO.</u>	<u>PART NO.</u>	<u>PART NAME</u>	<u>QTY.</u>	<u>REMARKS</u>
1	263003	TRANSAXLE	1	
2	06501-028	SCREW, HHC 3/8-16 X 3-1/2 RCC130H	8	
3	933242	3/8 SAE FLAT WASHER YZ9	9	
4	120078	BACKING PLATE, TRANSAXLE	2	
5	125040	ALIGNMENT ADJ BRACKET	1	
6	25623	CIRCLIP, RETAINER	1	
7	540033	PULLEY, A SECTION		
		4.125 X 18 TOOTH SPLINE	1	
8	583064	STAND-OFF 7/8 HEX	1	
10	35326	WHEEL, 12X3X2 NEOPRENE TREAD	2	
11	582038	BUSHING, 1" TRANSTORQUE KEYLESS	2	
12	384001	6-1/2" 5 BLADE FAN	1	
13	933201	3/16 FENDER WASHER	1	
14	TBD	8 SAE FLAT WASHER	1	
15	923118	SCREW, SHC 8-32X1 NP	1	
16	968011	NUT, HEX FINISH 1/2-13	1	
17	933244	WASHER, FLAT SAE 3/8 GRD 9 YZ	2	
18	25966	HOSE, 61" #6 LP .....	1	..... TRANSAXLE (REAR) TO BLADESHAFT (TOP)
19	25971	HOSE, 24.2" #4 HP .....	1	..... TRANSAXLE (TOP) TO WATER FLOW (RIGHT)
20	25956	HOSE, 8" #8 LP .....	1	..... TRANSAXLE (TOP) TO TRANS. FILTER (BOTTOM)
21	25973	HOSE, 65.7" #4 HP .....	1	..... TRANSAXLE (TOP) TO BLADESHAFT (REAR)
22	25955	HOSE, 17" #8 LP .....	1	..... TRANS. FILTER (TOP) TO OIL COOLER (RIGHT)
23	25964	HOSE, 73.9" #6 LP .....	1	..... BLADESHAFT (TOP) TO OIL RESERVOIR (BOTTOM)
24	25964	HYDRAULIC HOSE .....	1	..... BLADESHAFT (TOP) TO OIL RESERVOIR (REAR)
25	25976	HOSE, 18.5" 1/2 ID PUSHLOCK 250 PSI ..	1	..... TRANSAXLE (FRONT) TO TRANSAXLE (FRONT)
26	25718	FITTING, ORIFICE 4MJ-6MO X .020	1	
27	367470	FITTING, STR 4MJ - 6MO	1	
28	25957	HOSE, 78.4" #8 LP	1	..... OIL COOLER (RIGHT) TO BLADESHAFT (REAR)

# TRANSAXLE MOUNTING/CAM LEVER ASSY.

TRANSAXLE MOUNTING/CAM LEVER ASSY.



1 ENSURE NOTCHES FACE OUTBOARD.

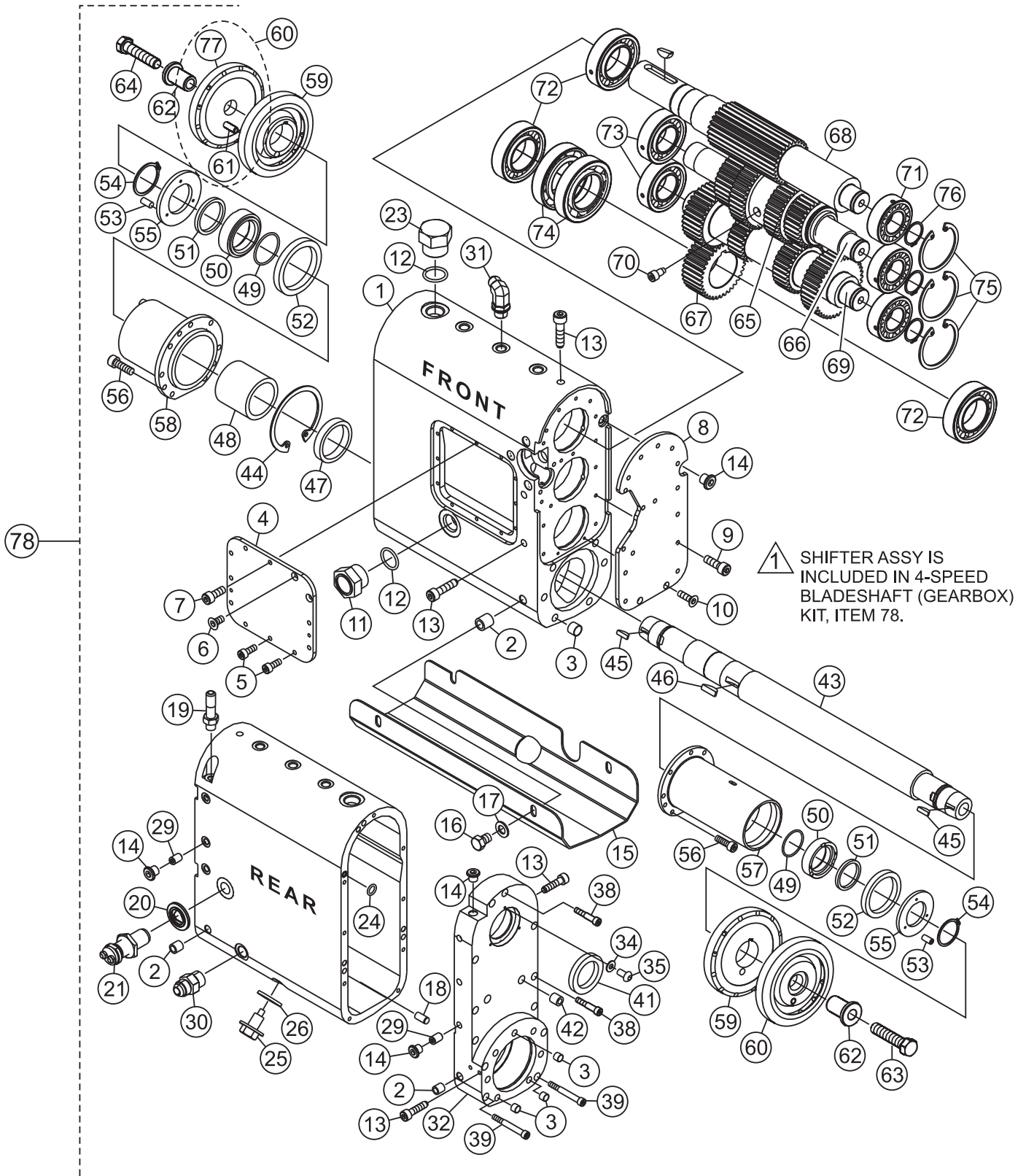
## TRANSAXLE MOUNTING/CAM LEVER ASSY.

### TRANSAXLE MOUNTING/CAM LEVER ASSY.

<u>NO.</u>	<u>PART NO.</u>	<u>PART NAME</u>	<u>QTY.</u>	<u>REMARKS</u>
1	06501-028	SCREW, HHC 3/8-16 X 3-1/2 RCC130H	8	
2	933242	WASHER, FLAT SAE 3/8 GRD 9 YZ	13	
3	120078	TRANSAXLE BACKING PLATE ASSY, WA	2	
4	125040	ALIGNMENT ADJUSTING BRACKET, WA	1	
5	933244	WASHER, FLAT SAE 1/2 GRD 9 YZ	2	
6	968011	NUT, HEX FINISH 1/2-13	2	
7	448007	CAM LEVER	1	
8	584028	SWIVEL, CABLE	1	
9	926327	3/8 X 1/2 SHOULDER BOLT	1	
10	5283	NUT, NYLOC 5/16-18	1	
11	965012	PIN, COTTER 1/16X1/2 PLTD	1	
12	923113	SCREW, SHC 8-32X3/8 GRD 8	1	
13	TBD	WASHER	1	

# 4-SPEED BLADESHAFT (GEARBOX) ASSY.

GEARBOX ASSY.





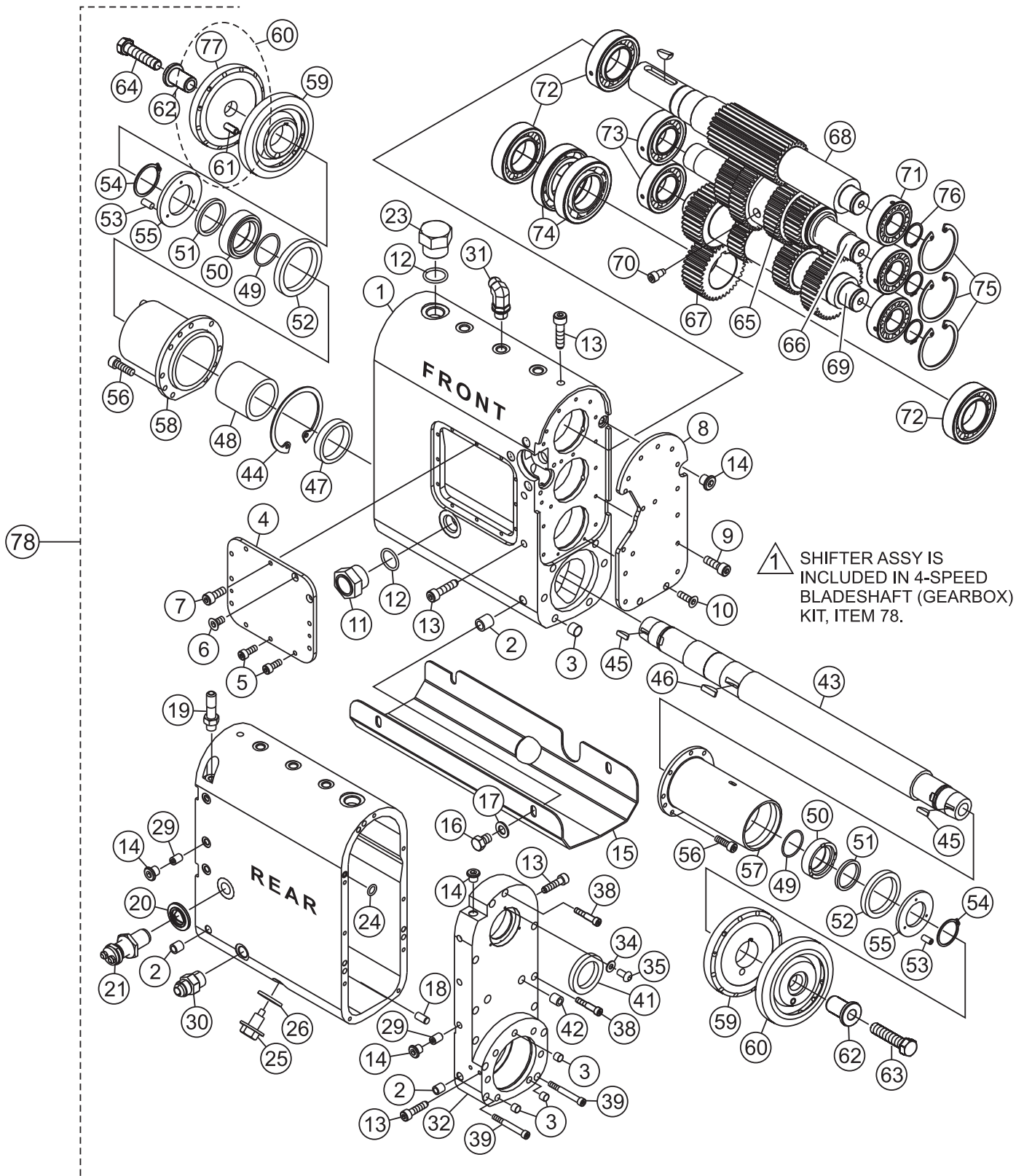
## 4-SPEED BLADESHAFT (GEARBOX) ASSY.

### GEARBOX ASSY.

<u>NO.</u>	<u>PART NO.</u>	<u>PART NAME</u>	<u>QTY.</u>	<u>REMARKS</u>
1*	220100-1	HOUSING, MAIN CASE	1	
2*	960857	THREADED INSERT 3/8-16 X 9/16-12	1	
3*	960855	THREADED INSERT 5/16-18 X 1/2-13	13	
4*	220100-3	FRONT ACCESS COVER	1	
5*	923202	1/4-20 X 5/8 SHCS	9	
6*	2460	SCREW, 1/4-20 X 1/2" FHSC	2	
7*	923201	1/4-20 X 1/2 SHCS	1	
8*	220100-4	COVER PLATE	1	
9*	923203	1/4-20 X 3/4 SHCS	13	
10*	924200	10-24 X 5/8 FHSCS	2	
11*	584019	SIGHT GLASS	1	
12*	25666	O-RING	2	
13*	584030	ANTI-ROTATING BOLT	8	
14*	368697	4-7/16-20 SAE-HHP	8	
15*	202000	BLADESHAFT SKID PLATE	1	
16*	915101	3X8-16 X 1/2 HCS YZ8	4	
17*	933242	3/8 SAE FLAT WASHER YZ9	4	
18*	926942	DOWEL PIN 3/8 X 3/4	3	
19*	421001	TACH SIGNAL GENERATOR	1	
20*	25695	WASHER, SEALED 3/4"	1	
21*	306013	FILTER, HIGH PRESSURE INLINE	1	
23*	368657	FITTING, PLUG 12MO	1	
24*	578011	O-RING	1	
25*	583026	1/2-20 MAGNETIC DRAIN PLUG	1	
26*	577009	DRAIN PLUG GASKET	1	
29*	367015-013	1/16 HH PLUG .013 ORIFICE	6	
30*	11749	FITTING, STR 8MJ-8MO	1	
31*	11722	FITTING, 90 6MJ-6MO	3	
32*	220100-5	HOUSING, END COVER	1	
34*	2203	WASHER, FLAT, #10	3	
35*	924029	SCREW, BHSCS 10-24 X 3/8	3	
38*	923260	5/16-18 X 1-3/4 SHCS	5	
39*	923264	5/16-18 X 2-3/4 SHCS	4	
41*	480005	SEAL	1	
42*	960157	7/16-14 THREADED INSERT	2	
43*	162004	BLADESHAFT, 6400 SERIES 4 SPEED	1	
44*	576011	SNAP RING	1	
45*	241003	WOODRUFF KEY #807	2	
46*	969340	KEY 3/8 X 1.375	1	
47*	583019	GEAR SPACER	1	
48*	583069	SPACER, BEARNG 6400 SERIES 4 SPEED	1	
49*	578135	O- RING	2	
50*	485003	SEAL SLEEVE	2	
51*	480007	SEAL CR 19599	2	
52*	480006	SEAL	2	
53*	576006	1/4-20 X 1/2 SET SCREW	2	
54*	10138	EXTERNAL SNAP RING	6	
55*	486001	THRUST WASHER	2	

# 4-SPEED BLADESHAFT (GEARBOX) ASSY.

GEARBOX ASSY. (CONTINUED)



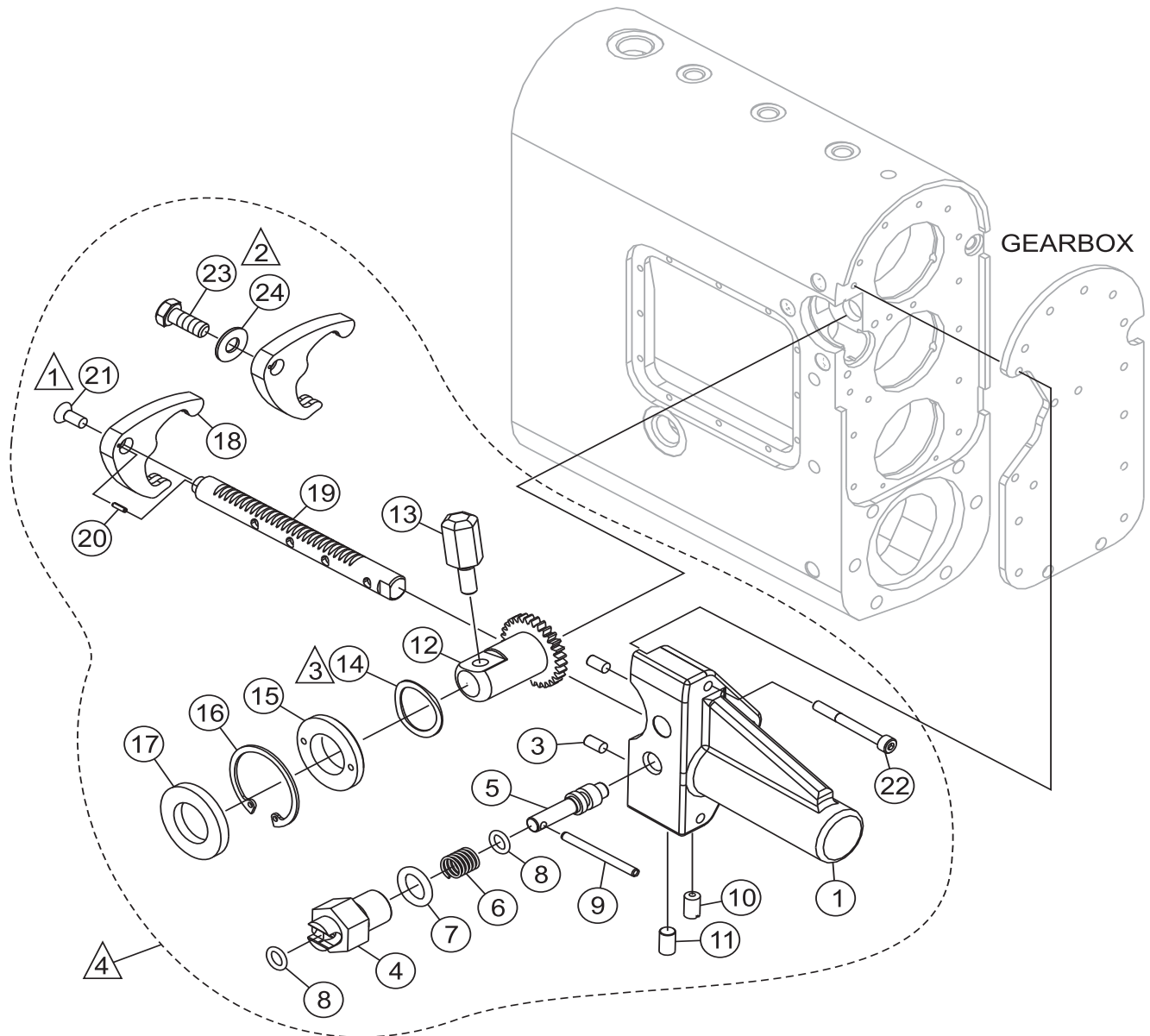
## 4-SPEED BLADESHAFT (GEARBOX) ASSY.

### GEARBOX ASSY. (CONTINUED)

<u>NO.</u>	<u>PART NO.</u>	<u>PART NAME</u>	<u>QTY.</u>	<u>REMARKS</u>
56*	923255	SCREW SHC 5-16 X 18 X 1	13	
57*	25693	HOUSING, LONG SIDE, 6400 SERIES	1	
58*	168006	HOUSING, SHORT SIDE, 6400 SERIES	1	
59*	180004	COLLAR, INNER BLADE SHAFT	2	
60*	180003	COLLAR ASSY, OUTER BLADE SHAFT .....	2 .....	INCLUDES ITEMS W/#
61#*	926790	PIN, DOWEL 3/8 X 1-3/4	2	
62*	582012	BUSHING, QUICK DISCONNECT	2	
63*	915316	SCREW, HHC 5/8-11X3 LH GR8	1	
64*	915315	SCREW, HHC 5/8-11X3 GR8	1	
65*	241001	SLIDER GEAR	1	
66*	241001-1	SLIDER SHAFT	1	
67*	241003	OUTPUT GEAR	1	
68*	241000	INPUT GEAR	1	
69*	241002	MAIN SHAFT	1	
70*	241001-2	BOLT, SLIDER	1	
71*	460014	BEARING 22207-RHR	3	
72*	460011	BEARING	3	
73*	460004	BEARING	2	
74*	460015	BEARING	2	
75*	576009	EXTERNAL SNAP RING	3	
76*	576008	INTERNAL SNAP RING	3	
77#*	180003-1	COLLAR, OUTER BLADE SHAFT	1	
78	25694	4-SPEED BLADESHAFT (GEARBOX) ASSY .....	1 .....	INCLUDES ITEMS W/*

# SHIFTER ASSY.

## SHIFTER ASSY.



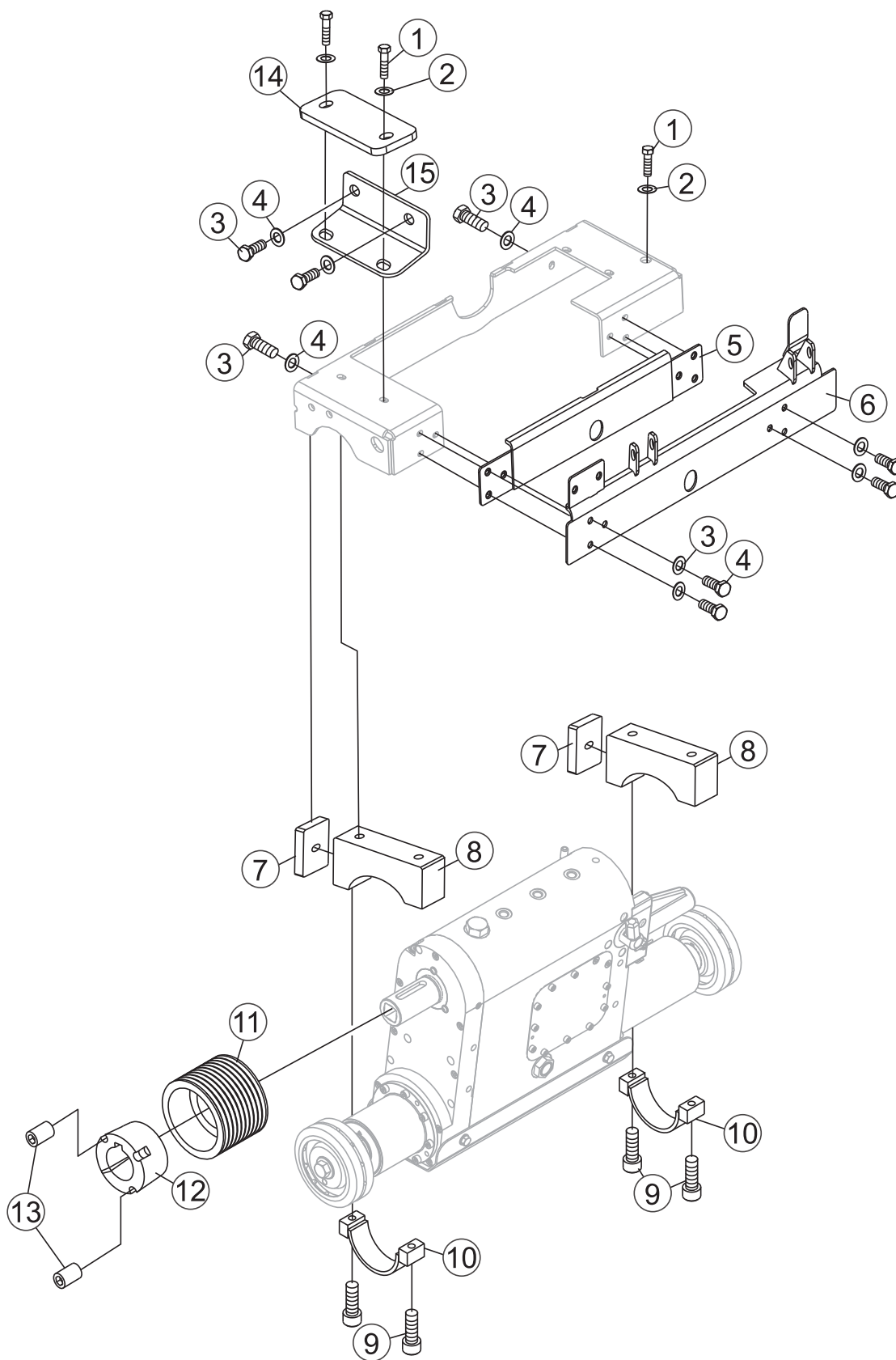
- ① ITEM 21: S/N 1-84
- ② ITEMS 23 AND 24: S/N 85 AND ABOVE
- ③ ITEM 14: USE TWO WAVE DISC SPRINGS FOR S/N 85 AND ABOVE
- ④ SHIFTER ASSY INCLUDED WITH 4-SPEED BLADESHAFT (GEARBOX) ASSY

## SHIFTER ASSY.

<u>NO.</u>	<u>PART NO.</u>	<u>PART NAME</u>	<u>QTY.</u>	<u>REMARKS</u>
1	220100-2	SHIFT COVER HOUSING .....	1 .....	S/N 1-84
1	25705	SHIFT COVER HOUSING .....	1 .....	S/N 85 AND ABOVE
3	926919	DOWEL PIN 1/4 X 3/4 .....	2 .....	S/N 1-84 ONLY
4	584018-1	DETENT BODY	1	
5	584018-2	DETENT PLUNGER	1	
6	565001	PLUNGER SPRING	1	
7	578014	O-RING AS-014	1	
8	578010	O-RING	2	
9	974312	PIN, SPRING 0.125 X 1.5	1	
10	584017	BALL PLUNGER	1	
11	925584	SET SCREW .375 X 0.625	1	
12	241004-1	SHIFT PINION	1	
13	560022	PINION SHIFT HANDLE	1	
14	565000	WAVE DISC SPRING .....	1 .....	S/N 1-84
14	565000	WAVE DISC SPRING .....	2 .....	S/N 85 AND ABOVE
15	583035	SHIFTER SPACER	1	
16	576010	SNAP RING 2.0 X 0.0693	1	
17	480004	SEAL	1	
18	241005-2	SHIFT FORK .....	1 .....	S/N 1-84
18	35341	SHIFT FORK .....	1 .....	S/N 85 AND ABOVE
19	241005-1	SHIFT ROD .....	1 .....	S/N 1-84
19	35342	SHIFT ROD .....	1 .....	S/N 85 AND ABOVE
20	964053	SPRING PIN 3/32 X 3/8 .....	1 .....	S/N 1-84
20	35353	SPRING PIN 1/8 X 3/8 .....	1 .....	S/N 85 AND ABOVE
21	924254	SCREW, FHSCS 5/16-18 X 3/4 .....	1 .....	S/N 1-84 ONLY
22	923212	SCREW, SHCS 1/4-20 X 2-1/4	3	
23	915103	SCREW, HCS 3 X 8-16 X 3/4 .....	1 .....	S/N 85 AND ABOVE ONLY
24	933242	WASHER, 3/8 SAE FLAT WASHER .....	1 .....	S/N 85 AND ABOVE ONLY

# GEARBOX MOUNTING ASSY.

GEARBOX MOUNTING ASSY.



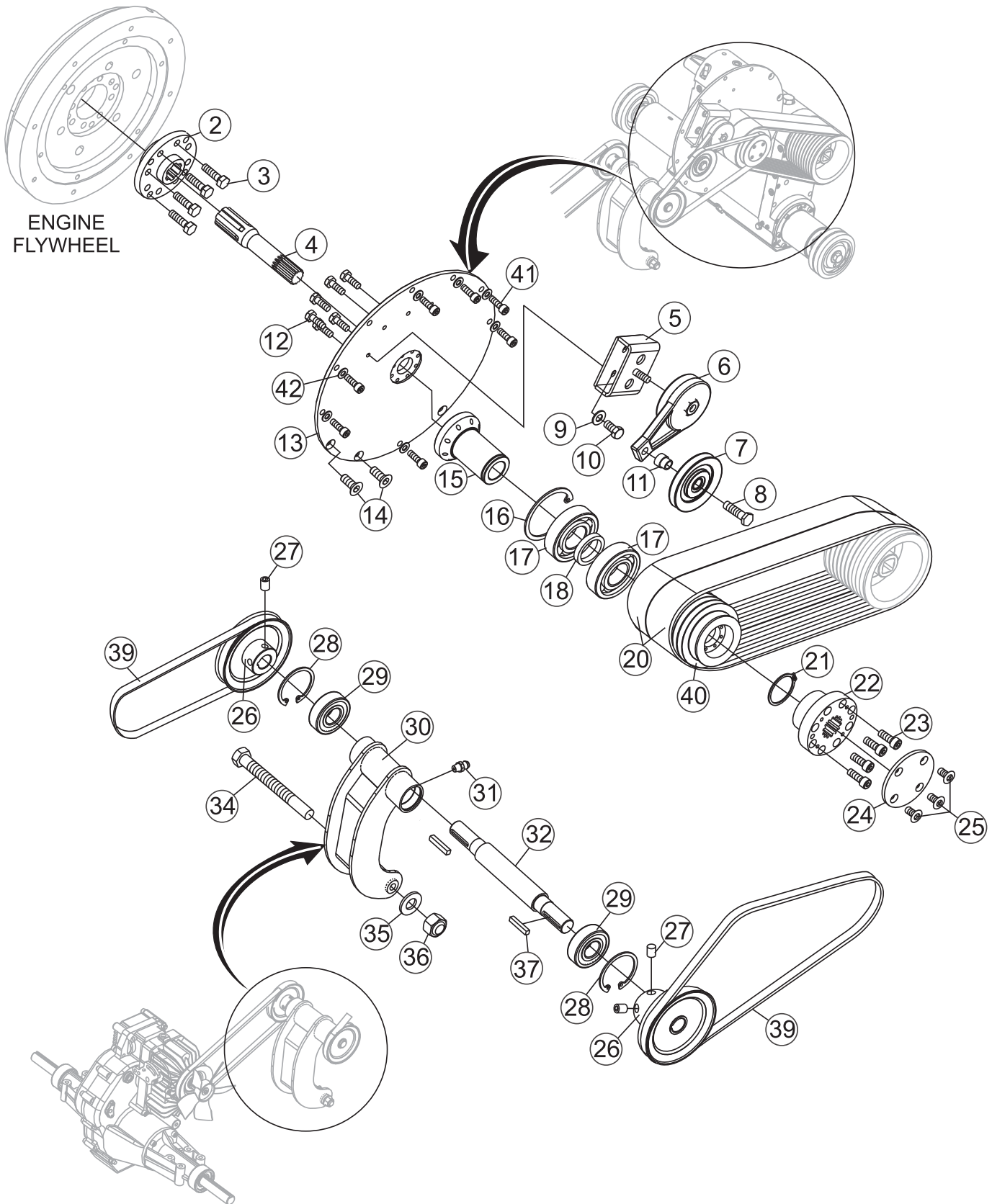
## GEARBOX MOUNTING ASSY.

### GEARBOX MOUNTING ASSY.

<u>NO</u>	<u>PART NO</u>	<u>PART NAME</u>	<u>QTY.</u>	<u>REMARK</u>
1	06502012	SCREW, HHC 7/16- 14 X 1- 1/2	1	
2	933243	7/16 SAEFLAT WASHER YZ9	3	
3	16530	SCREW, HHC 7/16-14 X 1	2	
4	1023	SCREW, HHC 3/8-16 X 1 1/4 GR 5	6	
5	100022	REMOVABLE FRONT SECTION, WA	1	
6	25757	FRONT PLATE- POINTER MOUNT, WA	1	
7	583095	GEARBOX MOUNT SPACER	2	
8	120225	GEARBOX MOUNTING BLOCK ASSY.	1	
9	923357	SCREW, SHC 7/16-14 X 1-1/4,NP	4	
10	120226	GEARBOX MOUNTING BLOCK W/PIN, ASSY.	1	
11	540043	PULLEY, 6.0 10G 3V	1	
12	460016	BUSHING, 17/8- 2517 SERIES TAPER LOCK	1	
13	TBD	PLATE	TBD	
14	583094	GEARBOX SUPPORT PLATE WASHER	1	
15	125053	GEARBOX SUPPORT, RIGHT SIDE	1	

# PULLEY AND V-BELT ASSY.

## PULLEY AND V-BELT ASSY.



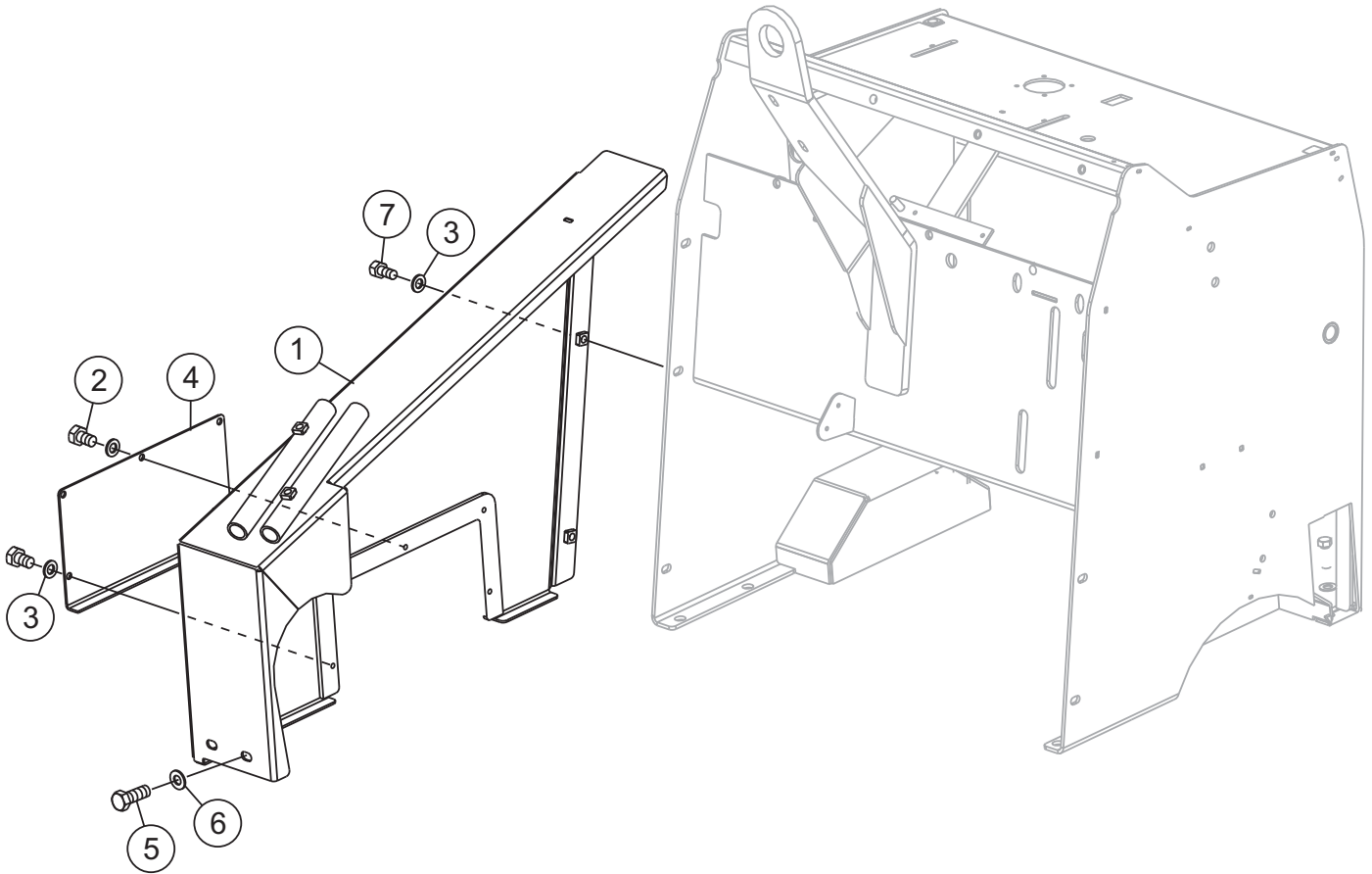


# PULLEY AND V-BELT ASSY.

## PULLEY AND V-BELT ASSY.

<u>NO</u>	<u>PART NO</u>	<u>PART NAME</u>	<u>QTY.</u>	<u>REMARKS</u>
2	544005	FLANGE, SPLINED DRIVE	1	
3	938422	SCREW, HHC M10-1.0 X 50MM 10.9 NP	8	
4	544006	SHAFT, SPLINED DRIVE	1	
5	120232	BELT TENSIONER MOUNT	1	
6	448000	TENSIONER IDLER ARM RT2001	1	
7	540003	4 INCH A SECTION SHEAVE	1	
8	25716	SCREW, MODIFIED 1/2-13 X 1-3/4 GR5	1	
9	933242	WASHER, 3/8 FLAT SAE P YZ	2	
10	915103	SCREW, HHC 3/8-16 X 3/4 GR8 YZ	2	
11	544001	SHOULDER ADAPTER SB0005	1	
12	915003	SCREW, HHC 1/4-20 X 3/4 GRD 8	8	
13	261002-1	ADAPTOR PLATE	1	
14	939978	SCREW, FHSC 10-1.5 X 25 MM NP	3	
15	544007	BEARING SUPPORT	1	
16	576015	SNAP RING, INTERNAL	1	
17	460024	BEARING	2	
18	583088	SPACER, BEARING 10 MM	1	
20	520009	V-BELT, 3VX 450 5 G POWERBAND	2	
21	576014	SNAP RING, EXTERNAL	1	
22	544008	SPLINED DRIVEN FLANGE	1	
23	923203	SCREW, SHC 1/4-20 X 3/4	8	
24	544004	PTO CAP	1	
25	924200	SCREW, FHSC 10-24 X 5/8 NP	4	
26	540030	PULLEY, A SECTION 4.125 X 3/4"	3	
27	925437	SCREW, SHS, CP 5/16-18 X 3/8	4	
28	576003	SNAP RING	2	
29	460021	BEARING, ROLLER 6204-2RS	2	
30	120281	JACKSHAFT PIVOT ARM, W/A	1	
31	960102	FITTING, GREASE ZERK 1/8 MP	1	
32	167004	JACKSHAFT	1	
34	10307	SCREW, HHC 1/2-13 X 5	1	
35	933244	WASHER, FLAT SAE 1/2 9 YZ	1	
36	10176	NUT, NYLOC 1/2-13	1	
37	584029	KEY, 3/16	2	
38	521006	BELT, AX 35	1	
39	521013	BELT, AX 37	1	
40	540056	PULLEY, 5.1 10G 3V X 4.0 1A	1	
41	940694	SCREW, HHC M10-1.5X30MM FT 10.9 NP	8	
42	933242	WASHER, FLAT SAE 3/8 GRD 9 YZ	8	

## BELT GUARD

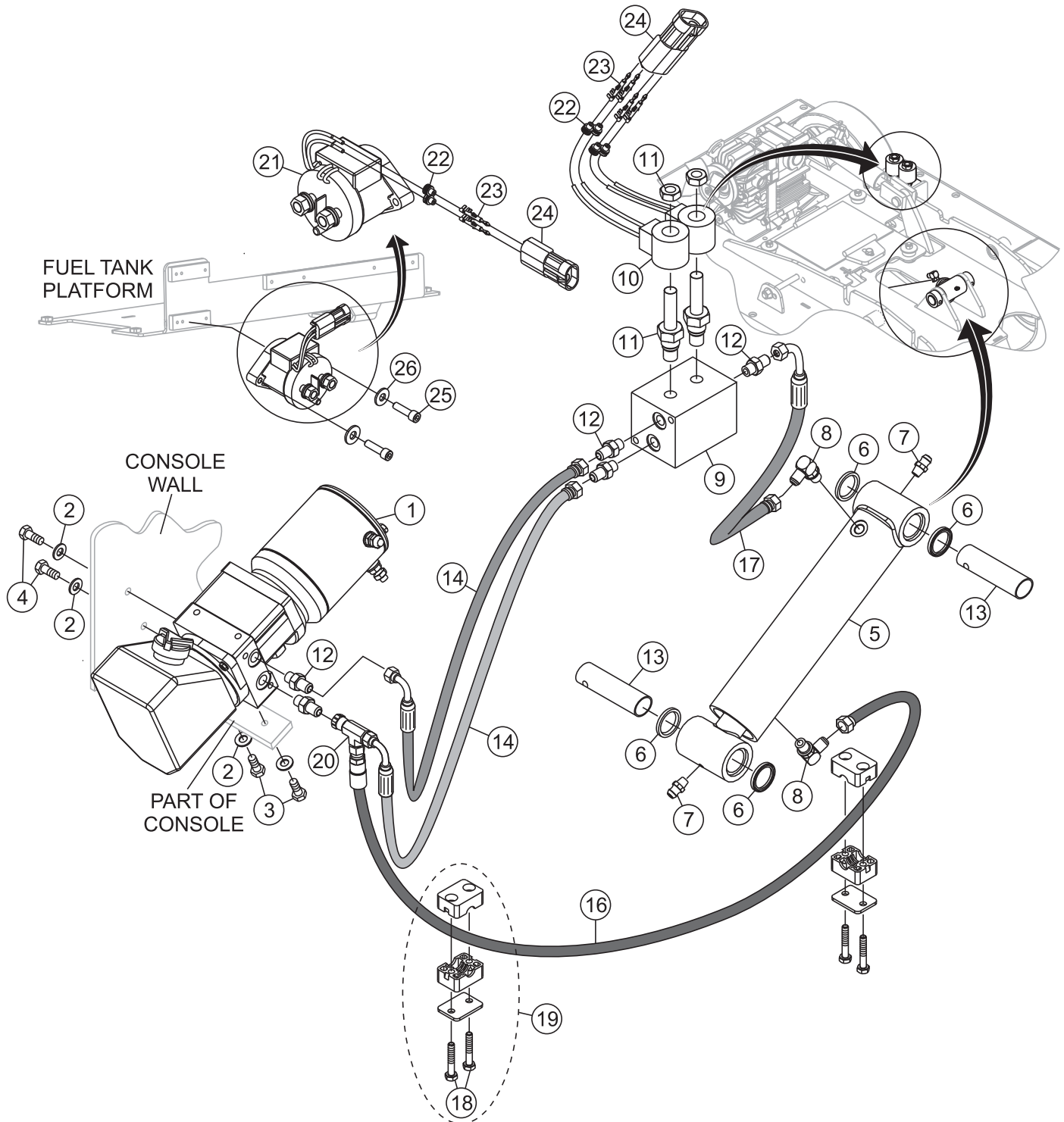


## BELT GUARD

<u>NO.</u>	<u>PART NO.</u>	<u>PART NAME</u>	<u>QTY.</u>	<u>REMARKS</u>
1	25756	BELT GUARD, WA	1	
2	915051	5/16-18 X 1/2 HCS YZ8	5	
3	933241	5/16 SAE FLAT WASHER YZ9	8	
4	204021-1	BELT ADJUSTMENT ACCESS COVER	1	
5	915105	3/8-16 X 1 HCS YZ8	2	
6	933242	3/8 FLAT WASHER YZ9	2	
7	0655	SCREW, HHC 5/16-18 X 3/4	3	

# LIFT PUMP CIRCUIT ASSY.

## LIFT PUMP CIRCUIT ASSY.



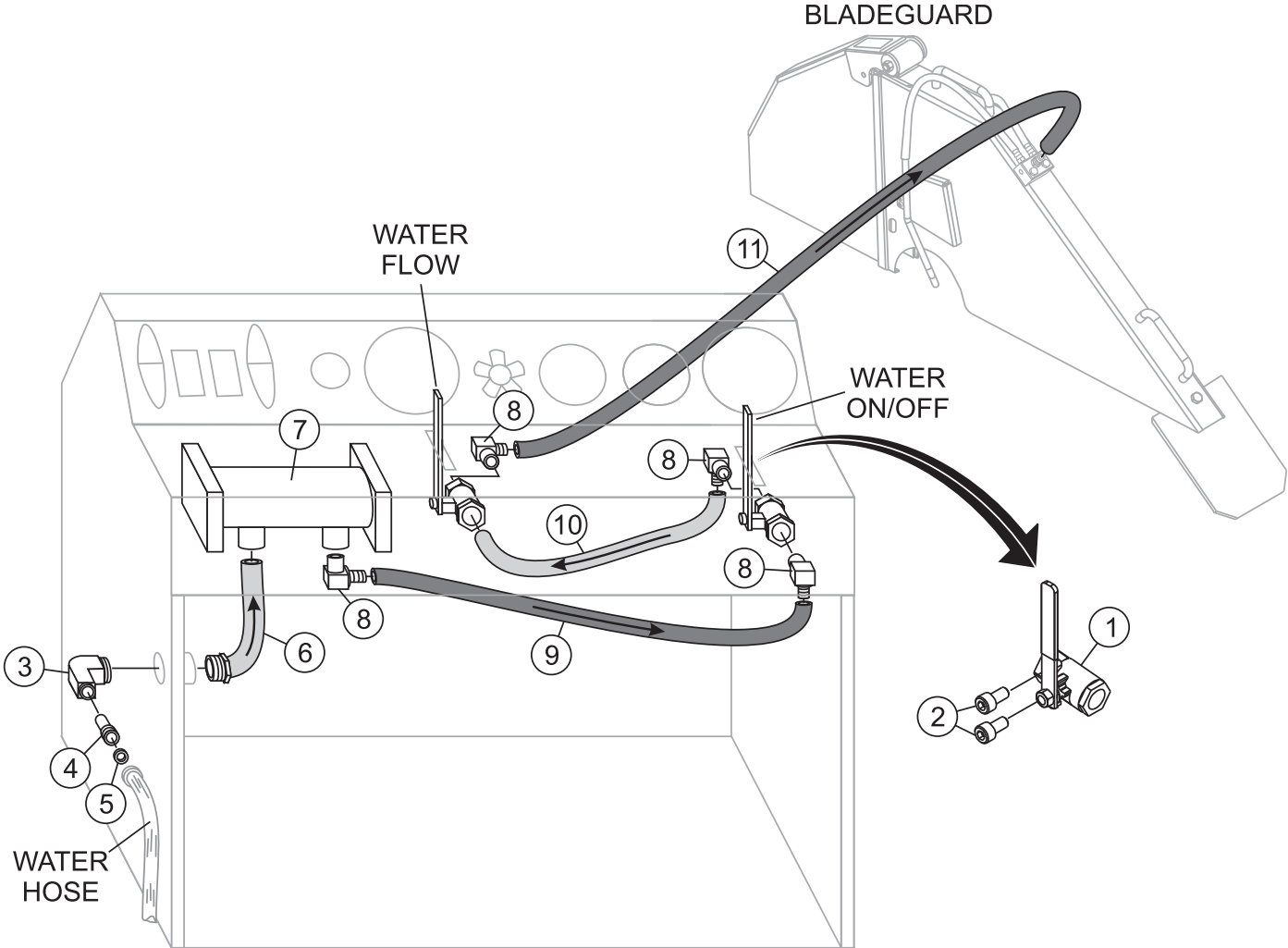
# LIFT PUMP CIRCUIT ASSY.

## LIFT PUMP CIRCUIT ASSY.

<u>NO</u>	<u>PART NO</u>	<u>PART NAME</u>	<u>QTY.</u>	<u>REMARK</u>
1	340009	LIFT PUMP ASSY	1	
2	933241	5/16 SAE FLAT WASHER GRD 9 YZ	4	
3	4683	SCREW, HHC 5/16-18 X 5/8	2	
4	06500-007	SCREW, HHC 5/16-18 X 7/8	2	
5	447009	LIFT CYLINDER	1	
6	480003	SEAL, OIL CR-9815	4	
7	2621	FITTING, GREASE ZERK STR 1/4-28	2	
8	368817	FITTING, 90 4MJ-4MO	2	
9	444008	MANIFOLD, 3 SPEED RAISE-LOWER	1	
10	446029	COIL, 12VDC-CARTRIDGE VALVE	2	
11	446010	CARTRIDGE VALVE	2	
12	21095	FITTING, STR 4MJ-4MO	5	
13	169006	PIN, CYLINDER	2	
14	25968	HOSE, 16.7" #4 HP	2	
16	25967	HOSE, 58.6" #4 HP	1	
17	25970	HOSE, 21.2" #4 HP	1	
18*	5277	HHC 1/4-20 X 1-1/2	4	
19	570050	CLAMP ASSY, #4 SINGLE HOSE	2	INCLUDES ITEMS W/*
20	366690	FITTING, TEE RUN 4MJ-4MJ-4FJ	1	
21	25628	SOLENOID, LIFT PUMP	1	
22	12171	SEAL, WEATHERPACK 16-18 GA GREEN	6	
23	12179	TERMINAL, WEATHERPACK MALE 14-16 GA	6	
24	405066	CONNECTOR, WEATHERPACK MALE	2	
25	923186	SCREW, SHC 12-24 X 3/4	2	
26	2203	WASHER, FLAT #10	2	

# WATER SYSTEM ASSY.

WATER SYSTEM ASSY.



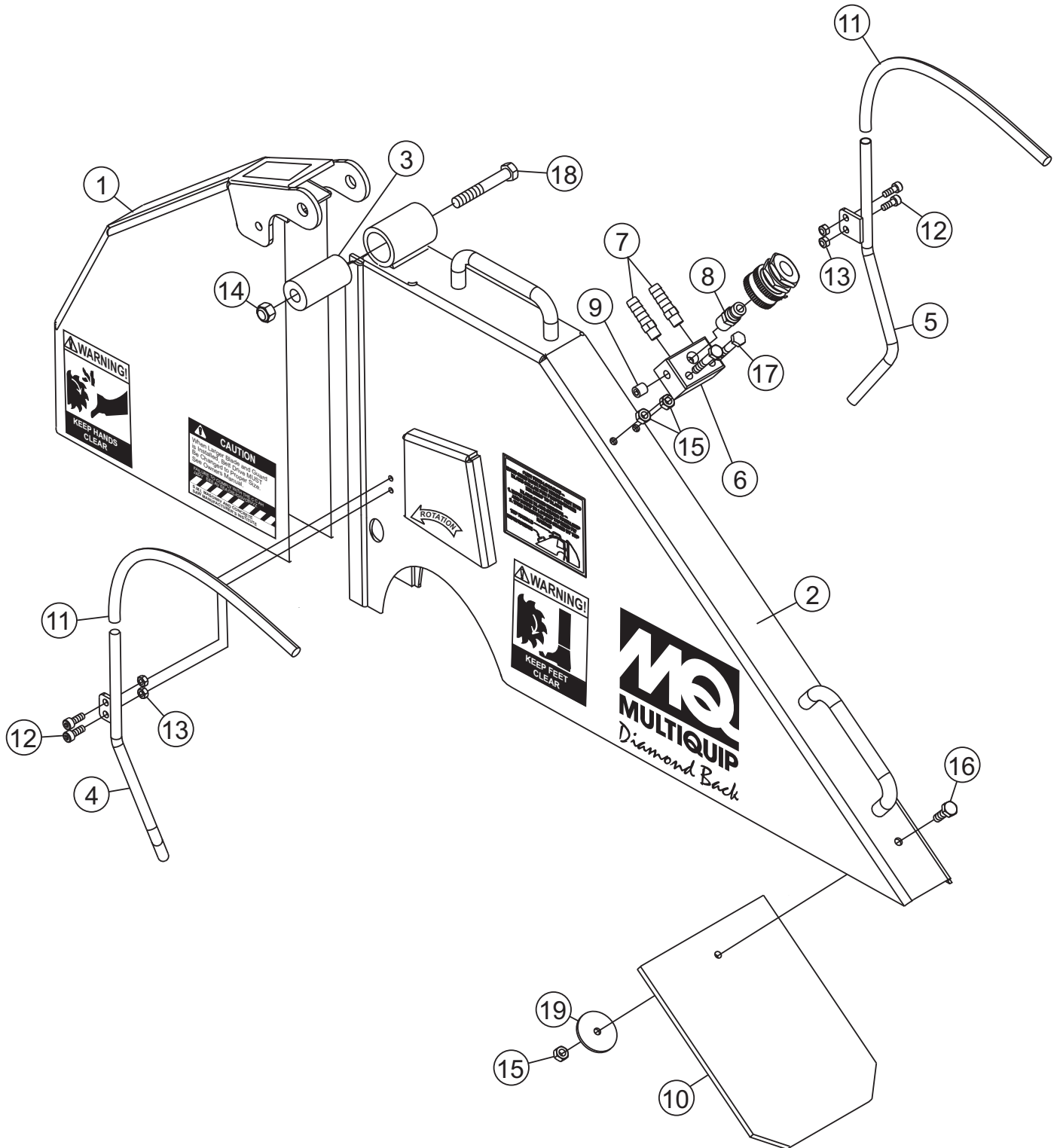
# WATER SYSTEM ASSY.

## WATER SYSTEM ASSY.

<u>NO</u>	<u>PART NO</u>	<u>PART NAME</u>	<u>QTY.</u>	<u>REMARKS</u>
1	446004	VALVE, BALL, 1/2 BRASS	2	
2	923143	SCREW, SHC 10-24 x 3/8"	4	
3	26496	FITTING, 90 1/2MP- 1/2FP	1	
4	25827	FITTING, BRASS (F) 3/4 GHT SWIVEL 1/2 MNPT	1	
5	25828	GASKET, GARDEN HOSE SWIVEL	1	
6	25960	HOSE, 7.5", #8 LP .....	1	..... WATER HOSE TO OIL COOLER
7	382001	OIL COOLER	1	
8	25931	FITTING, 90 8BARB-1/2 MP (4390-8-8)	4	
9	25962	HOSE, 19.5", #8 LP .....	1	..... OIL COOLER TO WATER ON/OFF
10	25961	HOSE, 17.2", #8 LP .....	1	..... WATER ON/OFF TO WATER FLOW
11	25963	HOSE, 127.8", #8 LP .....	1	..... WATER FLOW TO BLADEGUARD

# BLADEGUARD (16-36") ASSY.

BLADEGUARD (16-36") ASSY.





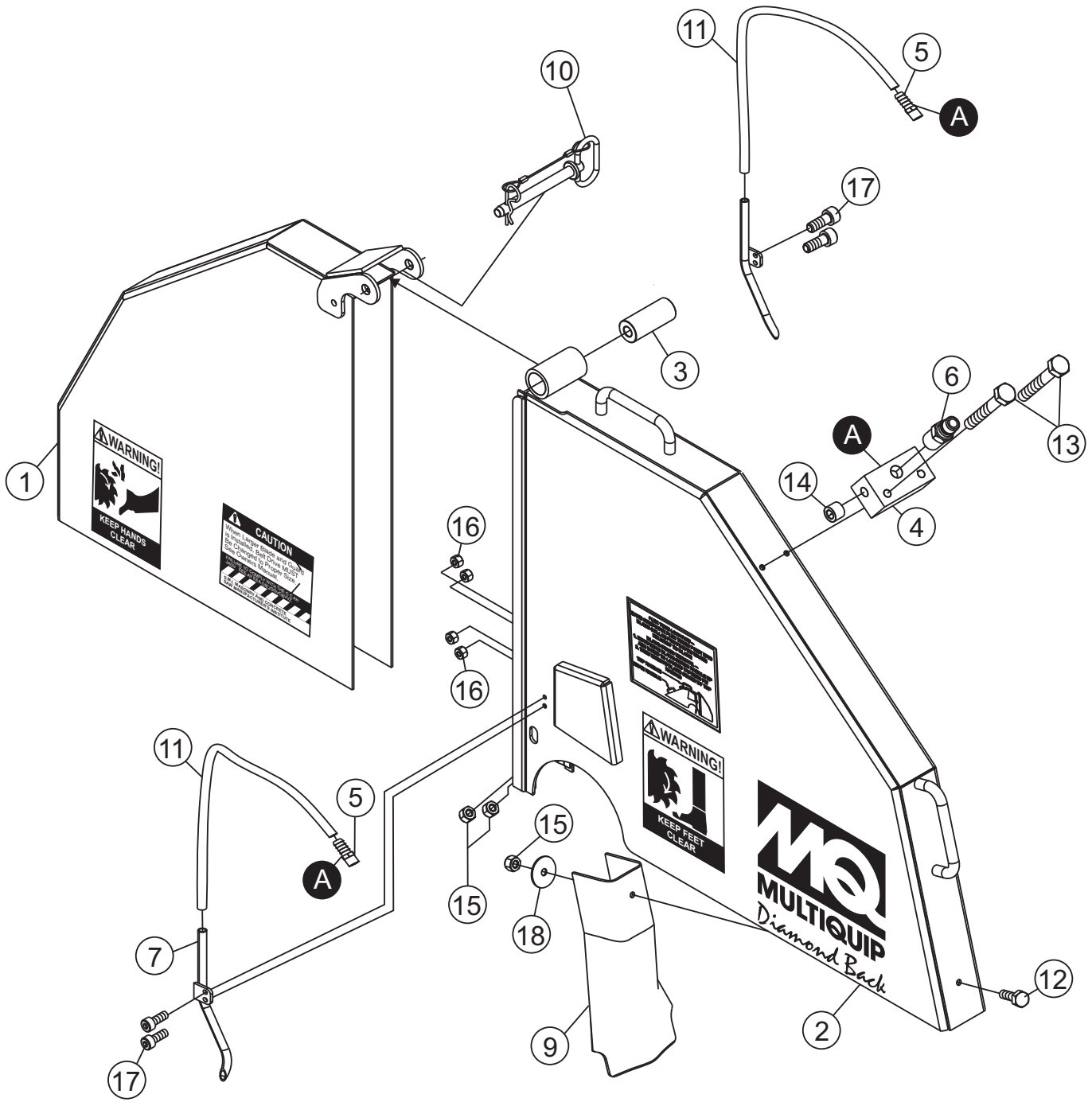
# BLADE GUARD (16-36") ASSY.

## BLADEGUARD (16-36") ASSY.

<u>NO.</u>	<u>PART NO.</u>	<u>PART NAME</u>	<u>QTY.</u>	<u>REMARKS</u>
1	200003	BLADEGUARD W/A, FRONT HALF .....	1	16"
1	200008	BLADEGUARD W/A, FRONT HALF .....	1	20"
1	200009	BLADEGUARD W/A, FRONT HALF .....	1	26"
1	200011	BLADEGUARD W/A, FRONT HALF .....	1	30"
1	200013	BLADEGUARD W/A, FRONT HALF .....	1	36"
2	200004	BLADEGUARD W/A, REAR HALF .....	1	16"
2	200008	BLADEGUARD W/A, REAR HALF .....	1	20"
2	200010	BLADEGUARD W/A, REAR HALF .....	1	26"
2	200012	BLADEGUARD W/A, REAR HALF .....	1	30"
2	200014	BLADEGUARD W/A, REAR HALF .....	1	36"
3	582040	BUSHING, BLADEGUARD HINGE, DELRIN .....	1	16", 20", 26"
3	582039	BUSHING, BLADEGUARD HINGE, DELRIN .....	1	30", 36"
4	362002	RIGHT SIDE WATERING TUBE	1	
5	362003	LEFT SIDE WATERING TUBE	1	
6	445002	MANIFOLD, WATER, SMALL .....	1	16", 20", 26"
6	445003	MANIFOLD, WATER, LARGE .....	1	30", 36"
7	370456	FITTING, BRASS 6BARB-1/4MP	2	
8	320010	FITTING,QD MALE SNAPTITE PHN4,1/4MP	2	
9	2113	FITTING, PLUG 1/8MP HEX SKT HD	1	
10	200019	FLAP, MUD	1	
11	576006	HOSE, WATER #6LP	2	
12	923144	SCREW, SHC 10-24 X 1/2	4	
13	1618	NUT, NYLOC 10-24	1	
14	10176	NUT, NYLOC 1/2- 13	1	
15	10024	NUT, NYLOC 1/4- 20	3	
16	0131 A	SCREW, HHC 1/4- 20 X 3/4	1	
17	26250	SCREW, HHC 1/4- 20 X 1 3/4	2	
18	06503-026	SCREW, HHC 1/2-13 X 3-1/4 .....	1	16", 20", 26"
18	06503-030	SCREW, HHC 1/2-13 X 3-3/4 .....	1	30", 36"
19	10930	WASHER, FENDER, 1/4 X 1-1/4	1	

# BLADEGUARD (42") ASSY.

BLADEGUARD (42") ASSY.



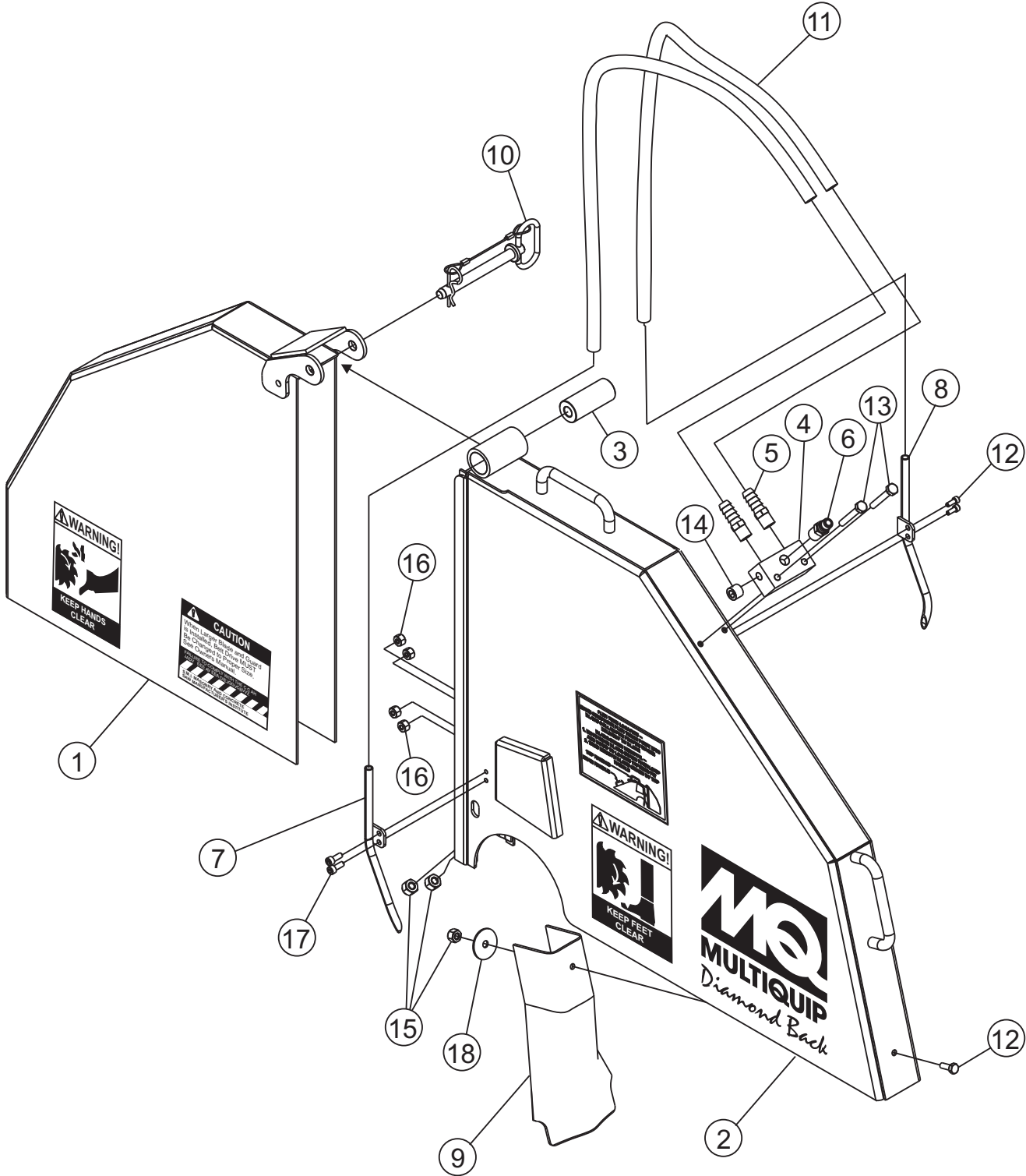
# BLADEGUARD (42") ASSY.

## BLADEGUARD (42") ASSY.

<u>NO.</u>	<u>PART NO.</u>	<u>PART NAME</u>	<u>QTY.</u>	<u>REMARKS</u>
1	200021	BLADEGUARD, FRONT HALF	1	
2	200022	BLADEGUARD, REAR HALF	1	
3	582039	BUSHING, BLADEGUARD HINGE, DELRIN	1	
4	445003	MANIFOLD, WATER, LARGE	1	
5	370456	FITTING, BRASS 6BARB-1/4MP	2	
6	320010	FITTING, QD MALE SNAPTITE PHN4 1/4MP	1	
7	362003	LEFT SIDE WATERING TUBE	1	
8	362002	RIGHT SIDE WATERING TUBE	1	
9	200019	FLAP, MUD, BLADEGUARD	1	
10	584039	PIN, HINGE 4-1/2 W/RETAINING WIRE	1	
11	362009	HOSE, WATER # 6LP	2	
12	0131 A	SCREW, HHC 1/4-20 X 3/4	1	
13	26250	SCREW, HHC 1/4-20 X 1 3/4	2	
14	2113	FITTING, PLUG 1/8MP HEX SKT HD	1	
15	10024	NUT, NYLOC 1/4-20	3	
16	1618	NUT, NYLOC 10-24	4	
17	923144	SCREW, SHC 10-24 X 1/2	4	
18	10930	WASHER, FENDER, 1/4 X 1-1/4	1	

# BLADEGUARD (48") ASSY.

BLADEGUARD (48") ASSY.



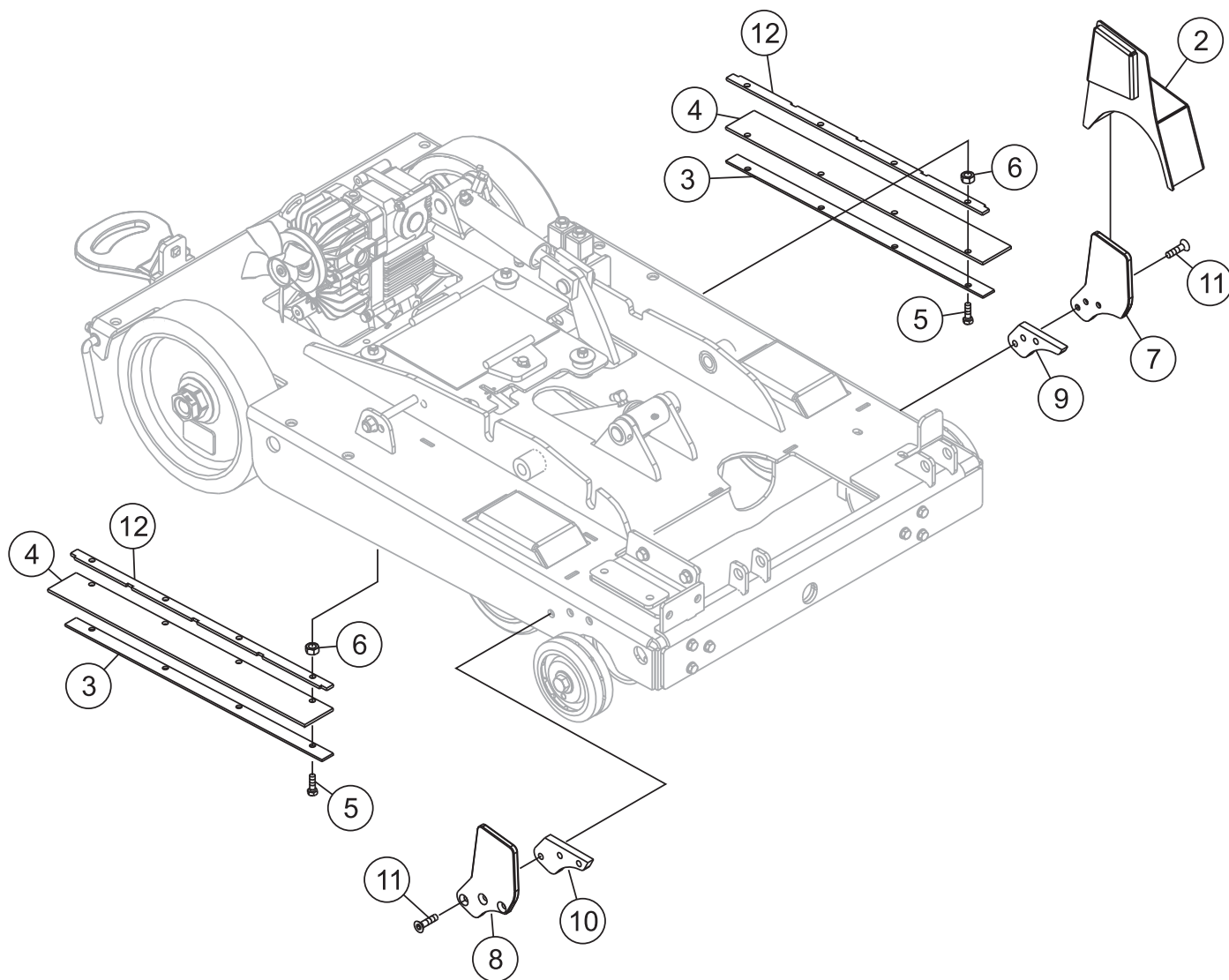
# BLADEGUARD (48") ASSY.

## BLADEGUARD (48") ASSY.

<u>NO.</u>	<u>PART NO.</u>	<u>PART NAME</u>	<u>QTY.</u>	<u>REMARKS</u>
1	200046	BLADEGUARD W/A, FRONT HALF	1	
2	200047	BLADEGUARD W/A, REAR HALF	1	
3	582039	BUSHING, BLADEGUARD HINGE, DELRIN	1	
7	445003	MANIFOLD, WATER, LARGE	1	
8	370456	FITTING, BRASS 6BARB-1/4MP	2	
4	320010	FITTING, QD MALE SNAPTITE PHN4 1/4MP	1	
9	362003	LEFT SIDE WATERING TUBE	1	
10	362002	RIGHT SIDE WATERING TUBE	1	
11	200019	FLAP, MUD, BLADEGUARD	1	
6	584039	PIN, HINGE 4-1/2 W/RETAINING WIRE	1	
5	362010	HOSE, WATER # 6LP	2	
16	0131 A	SCREW, HHC 1/4-20 X 3/4	1	
15	26250	SCREW, HHC 1/4-20 X 1 3/4	2	
17	2113	FITTING, PLUG 1/8MP HEX SKT HD	1	
13	10024	NUT, NYLOC 1/4-20	3	
12	1618	NUT, NYLOC 10-24	4	
18	923144	SCREW, SHC 10-24 X 1/2	4	
14	10930	WASHER, FENDER, 1/4 X 1-1/4	1	

# BLADEGUARD MOUNT/WIPER ASSY.

BLADEGUARD MOUNT/WIPER ASSY.



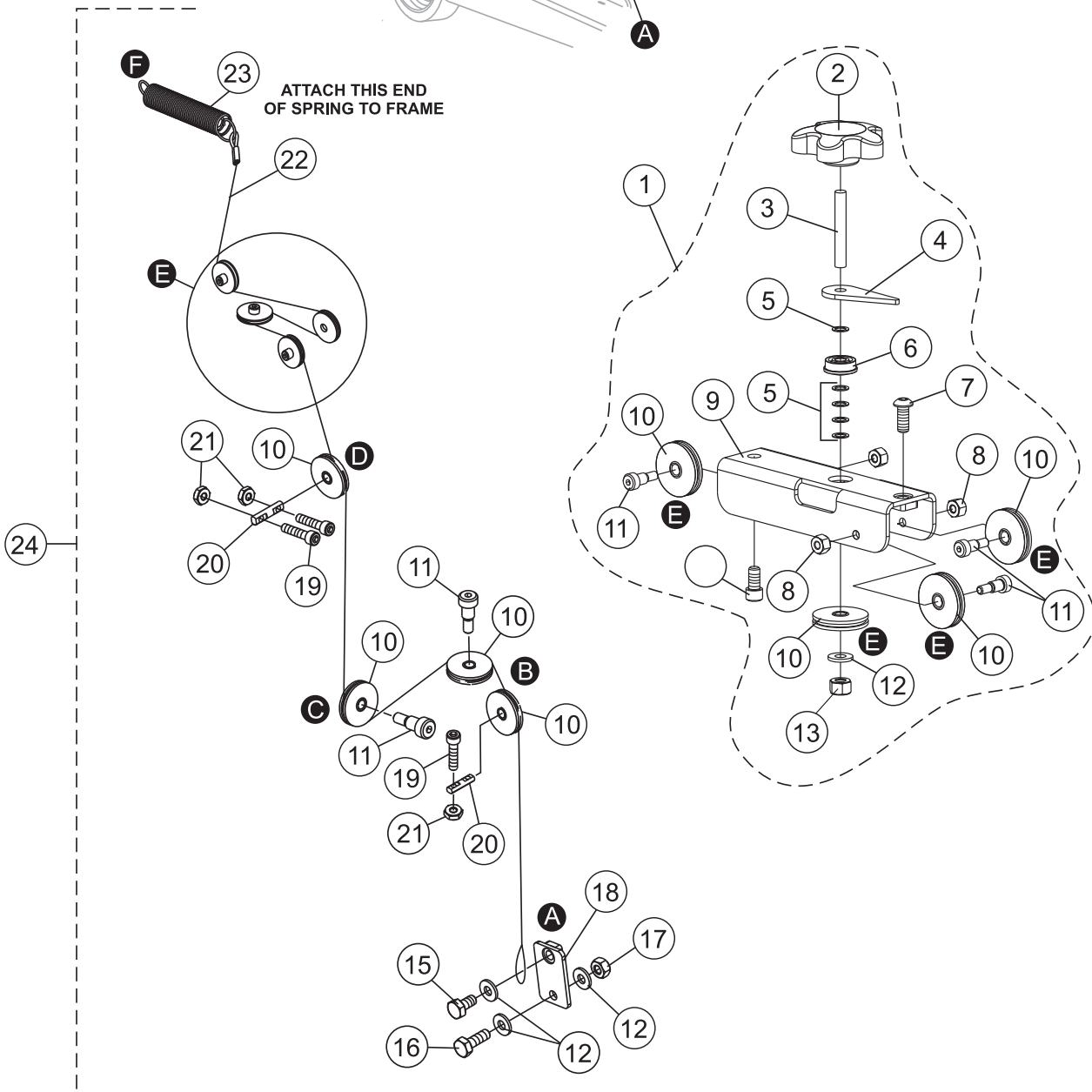
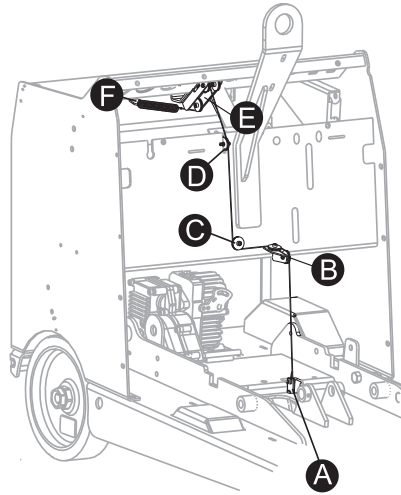
# BLADEGUARD MOUNT/WIPER ASSY.

## BLADEGUARD MOUNT/WIPER ASSY

<u>NO.</u>	<u>PART NO.</u>	<u>PART NAME</u>	<u>QTY.</u>	<u>REMARKS</u>
2	M200000	FLANGE GAURD, WA	1	
3	100019	BACKING STRIP	2	
4	206006	SLURRY GUARD FLAP	2	
5	202	SCREW, HHC 5/16-18 X 1 ZINC	8	
6	5283	NUT, NYLOC 5/16-18	8	
7	120090	LEFT BLADEGAURD MOUNT CLIP	1	
8	120092	RIGHT BLADEGAURD MOUNT CLIP	1	
9	120091	LEFT BLADE CLIP SPACER	1	
10	120093	RIGHT BLADE CLIP SPACER	1	
11	924288	3/8-16 X 1-1/2 SHCS	6	

# DEPTH STOP METER/CABLE ASSY.

## DEPTH STOP METER/CABLE ASSY.





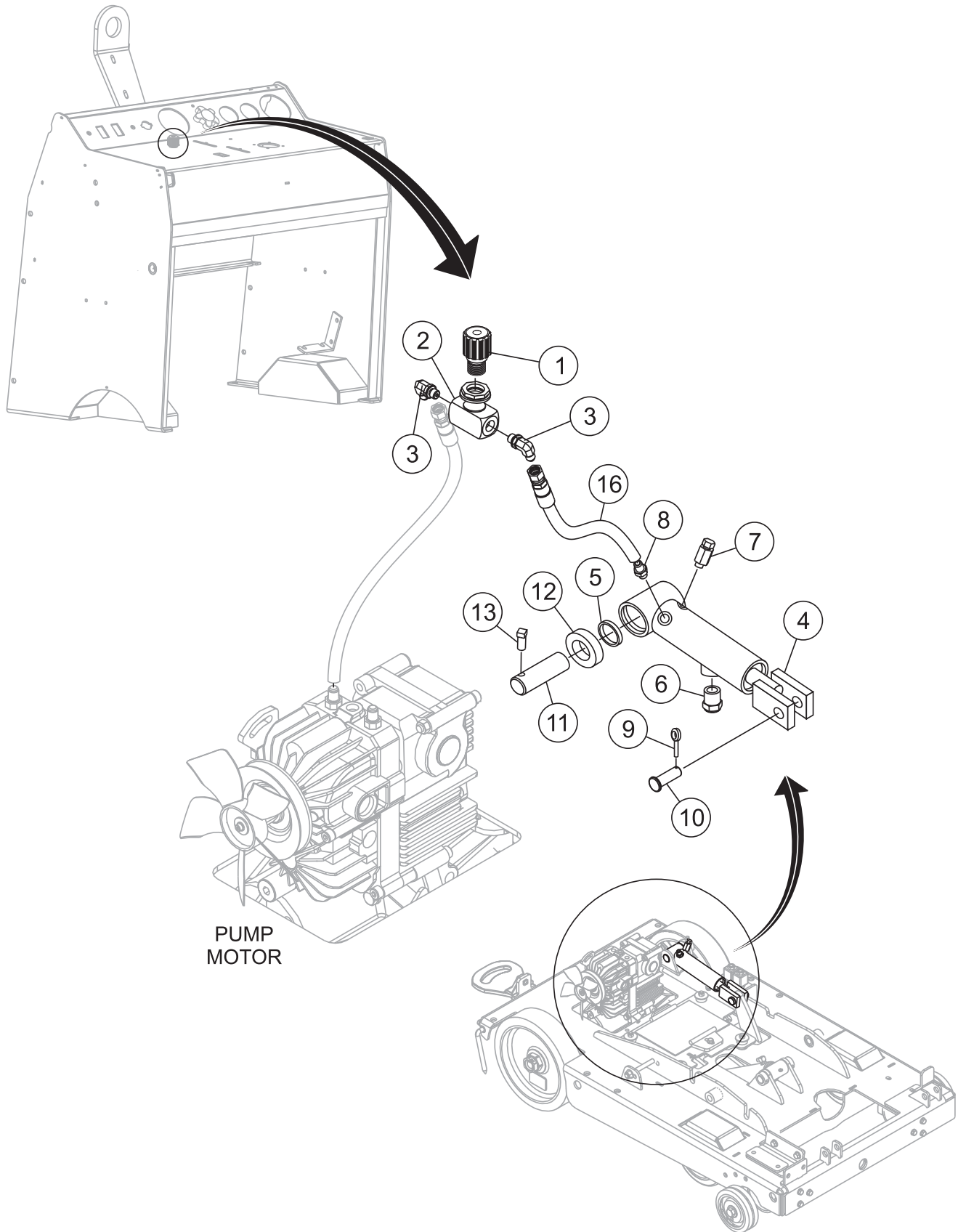
## DEPTH STOP METER/CABLE ASSY.

### DEPTH STOP METER/CABLE ASSY.

<b>NO</b>	<b>PART NO</b>	<b>PART NAME</b>	<b>QTY.</b>	<b>REMARKS</b>
1	25538	DEPTH METER ASSY. ....	1	INCLUDES ITEMS W/*
2*	560025	KNOB, SAW DEPTH INDICATOR	1	
3*	584025	STUD, 1/4-20X1 3/4" B7 NO PLATE	1	
4*	110031	POINTER, CONCRETE SAW DEPTH	1	
5*	583059	SHIM, 0.375 OD x 0.251 ID x 0.020 THICK	5	
6*	460019	FLANGE BEARING, 0.25 ID X 0.75 OD	1	
7*	973752	SCREW, BHSC, 1/4-20 x 5/8 SS	1	
8*	1618	NUT, NYLOC 10-24	3	
9*	125039	U-BRACKET W/A, SAW DEPTH INDICATOR	1	
10*	540011	PULLEY, CABLE 1.25 OD	8	
11*	926149	SCREW, SHDLR 1/4D X 5/16L , 10-24, SCKT HD	6	
12*	933240	WASHER, FLAT SAE 1/4 GRD 9 YZ	4	
13*	10024	NUT, NYLOC 1/4-20	1	
14*	923201	SCREW, SHC 1/4-20 x 1/2	1	
15%	0131 A	SCREW, HHC 1/4-20 X 3/4	1	
16%	1579	SCREW, HHC 1/4-20 x .5	1	
17%	949	NUT, HEX FINISH 1/4-20	1	
18%	120243	TAB W/A, DEPTH INDICATOR	1	
19%	923116	SCREW, SHC 8-32 x 3/4	3	
20%	160013	AXLE, INDICATOR SHEAVE	2	
21%	13287	NUT, NYLOC 8-32	3	
22%	440012	CABLE, DEPTH INDICATOR	1	
23%	565004	SPRING, EXTENSION, DEPTH INDICATOR	1	
24	25538	DEPTH METER CABLE ASSY. ....	1	INCLUDES ITEMS W/%

# DEPTH STOP CYLINDER/VALVE ASSY.

DEPTH STOP CYLINDER/VALVE ASSY.



PUMP  
MOTOR

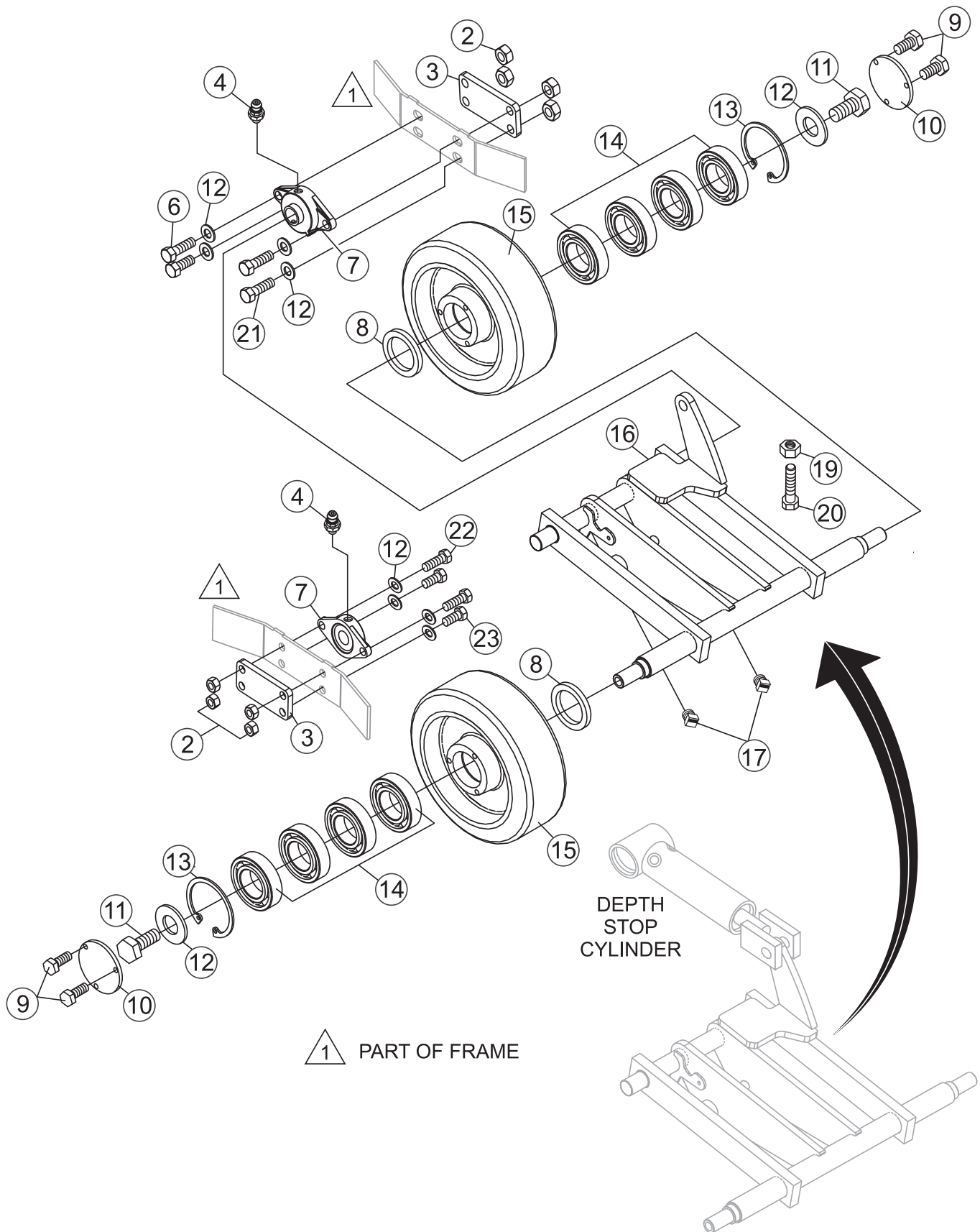
## DEPTH STOP CYLINDER/VALVE ASSY.

### DEPTH STOP CYLINDER/VALVE ASSY.

<u>NO.</u>	<u>PART NO.</u>	<u>PART NAME</u>	<u>QTY.</u>	<u>REMARKS</u>
1	446024	VALVE, DEPTH STOP FLOW CONTROL .....	1 .....	INCLUDES ITEMS W/*
2*	446024-1	PANEL MOUNT KIT, VALVE	1	
3	368817	FITTING, 90 4MJ-4MO	2	
4	447008	DEPTH STOP CYLINDER	1	
5	480003	SEAL, OIL CR-9815	2	
6	25675	FITTING, BRASS BREATHER VENT 1/4" NPT	1	
7	25632	FITTING, BLEEDER VALVE	1	
8	21095	FITTING, STR 4MJ-4MO	1	
9	965079	PIN, COTTER 1/8 X 1-3/4	1	
10	966166	PIN, CLEVIS 3/4 X 2	1	
11	169004	DEPTH STOP CYLINDER PIN	1	
12	583061	DEPTH STOP CYLINDER SPACER	1	
13	926064	5/16-24 X 5/8" SQUARE HEAD SET SCREW	1	
14	25718	FITTING, ORIFICE 4MJ-6MO X .020	1	
16	25971	HOSE ASSY, 24.2" #4 HP	1	

# FRONT AXLE ASSY.

FRONT AXLE ASSY.



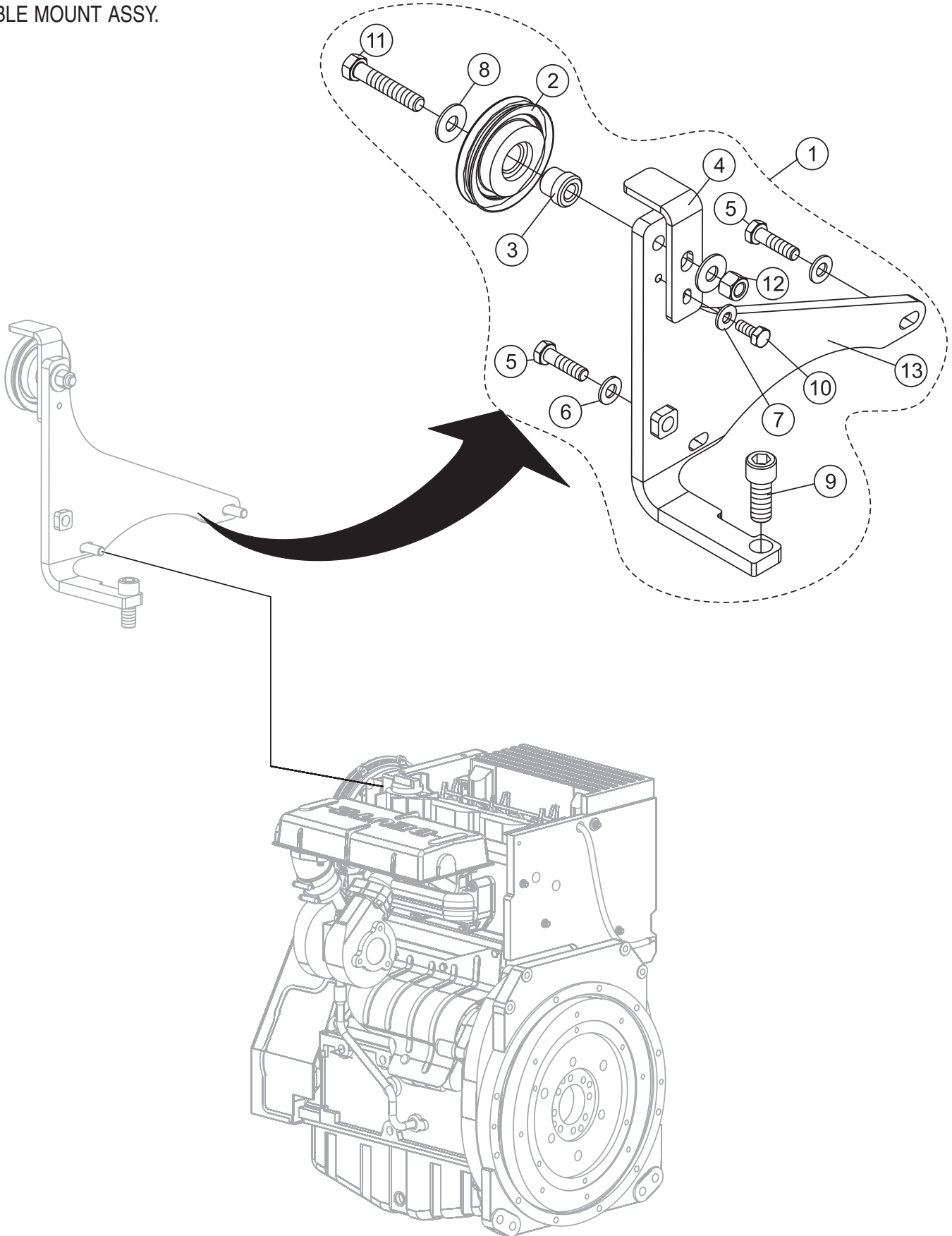
**FRONT AXLE ASSY.**

## FRONT AXLE ASSY.

<u>NO.</u>	<u>PART NO.</u>	<u>PART NAME</u>	<u>QTY.</u>	<u>REMARKS</u>
2	4702	NUT, HEX FINISH 5/8-11	8	
3	583096	BEARING BACKING PLATE	2	
4	960105	1/4-28 GREASE ZERK	1	
6	912311	5/8-11 X 2 HCS	2	
7	25599	BEARING, FRONT AXLE PIVOT	2	
8	485002	SEAL	2	
9	915001	1/4-20 X 1/2 HCS YZ8	6	
10	508005	8 X 3 WHEEL COVER	2	
11	06505008	5/8-11 X 1 HCS YZ8	2	
12	933246	5/8 SAE FLAT WASHER YZ9	11	
13	576003	SNAP RING, HO-185	2	
14	460002	BEARING	8	
15	500006	8 X 3 WHEEL	2	
16	35107	FRONT AXLE 6457-48", WA	1	
17	926064	SCREW, SQHS, CP 5/16-24 X 5/8	2	
19	968011	NUT, HEX FINISH 1/2-13	2	
20	19400	SCREW, HHC 1/2-13 X 2 FULL THREAD	2	
21	21376	SCREW, 5/8-11 X 1-1/2 HCS YZ8	4	
22	915311	5/8-11 X 2 HCS YZ8	2	
23	915309	SCREW, 5/8-11 X 1-1/2 HCS YZ8	2	

# CABLE MOUNT ASSY.

CABLE MOUNT ASSY.



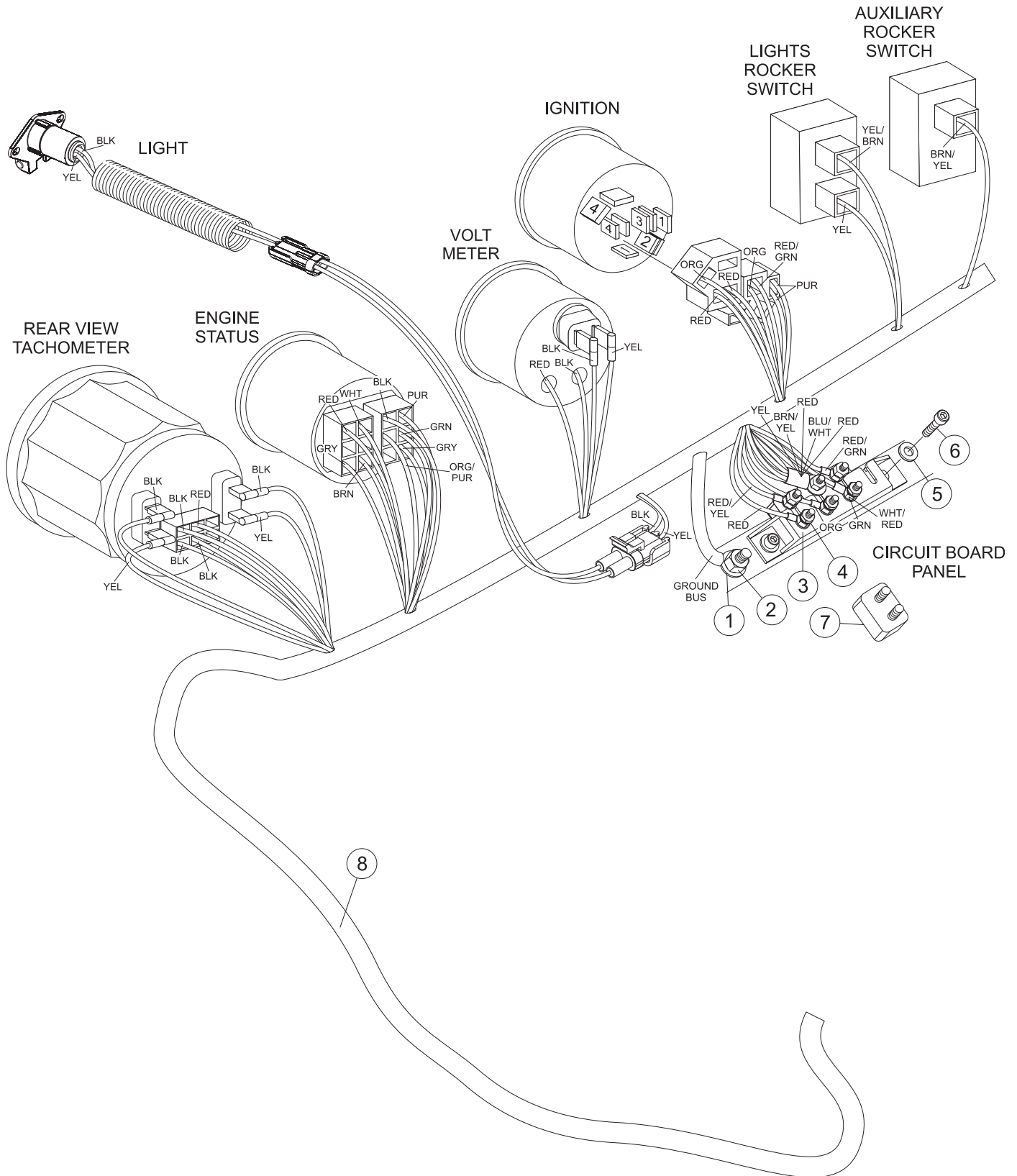
## CABLE MOUNT ASSY.

### CABLE MOUNT ASSY.

<u>NO.</u>	<u>PART NO.</u>	<u>PART NAME</u>	<u>QTY.</u>	<u>REMARKS</u>
1	35203	CABLE MOUNT GROUP,6000-6400	1	
2	540039	PULLY, POINTER ROPE	1	
3	544002	SHOULDER, ADAPTER	1	
4	125043-3	RETAINER, SAW POINTER CABLE	1	
5	940674	SCREW, HHC M8-1.25 X 30MM GRADE 10.9	2	
6	933241	WASHER, FLAT SAE 5/16 GRD 9 YZ	2	
7	0948	WASHER, FLAT SAE 1/4	1	
8	10136	WASHER, FLAT SAE 3/8	2	
9	939654	SCREW, SHC M12-1.75x30MM 12.9 NP	1	
10	4514	SCREW, HHC 1/4-20 X 5/8 GR 5	1	
11	1665	SCREW, HHC 3/8-16 X 2	1	
12	10133	NUT, NYLOC 3/8-16	1	
13	125043	MOUNT W/A CABLE GUIDE	1	

# WIRING HARNESS/CIRCUIT BREAKER ASSY.

## WIRING HARNESS/CIRCUIT BREAKER ASSY.





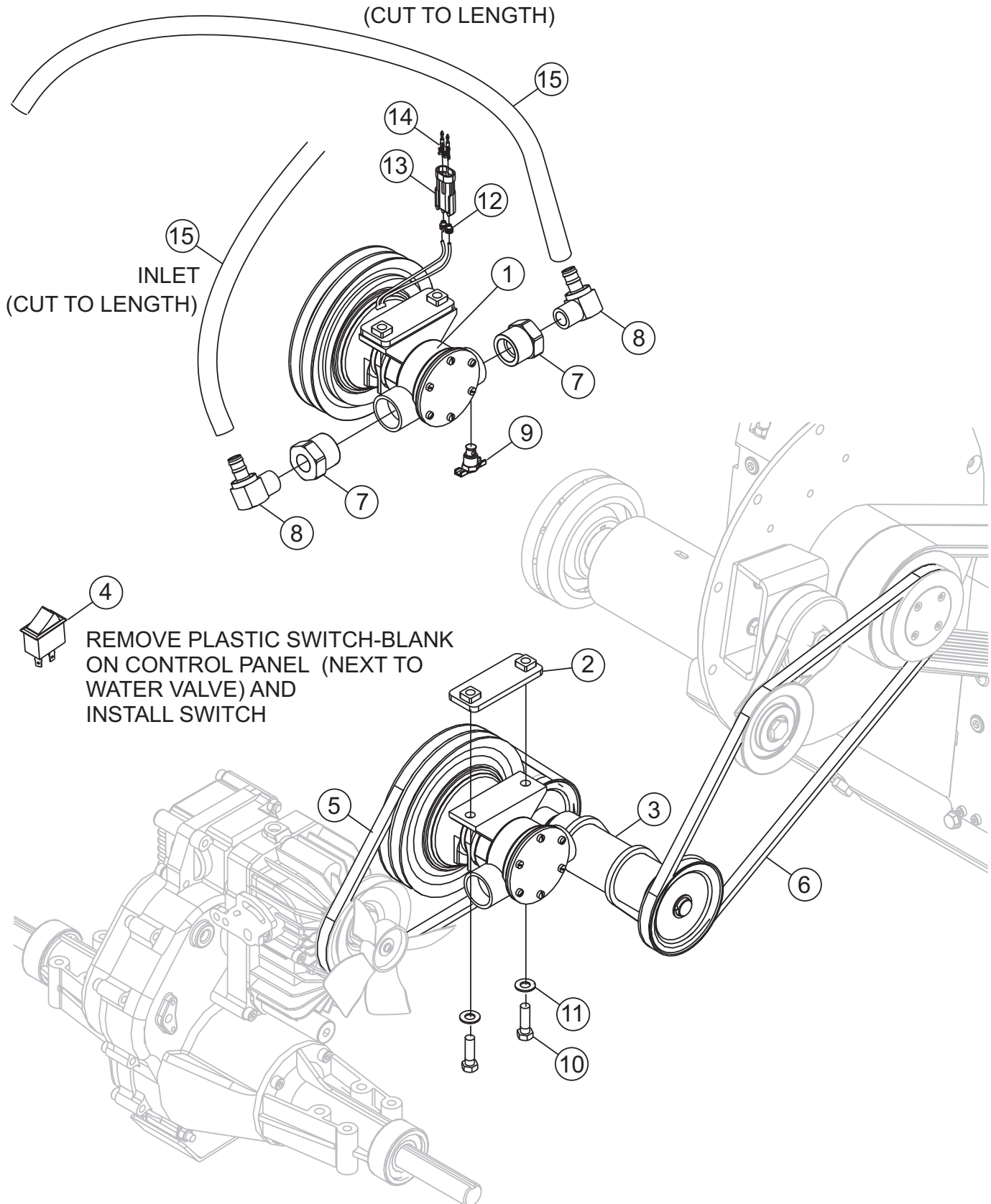
## WIRING HARNESS/CIRCUIT BREAKER ASSY.

### WIRING HARNESS/CIRCUIT BREAKER ASSY.

<u>NO.</u>	<u>PART NO.</u>	<u>PART NAME</u>	<u>QTY.</u>	<u>REMARKS</u>
1	933242	WASHER	1	
2	10133	NUT, NYLOC 3/8-16	1	
3	406012	MOUNTING BAR, CIRCUIT BREAKER	1	
4	25935	NUT, HEX 10-32 W/STAR WASHER	3	
5	933076	WASHER, FLAT SAE #12 ZINC	2	
6	923201	SCREW, SHC 1/4-20 X 1/2	2	
7	406019	CIRCUIT BREAKER, 10 AMP	3	
8	35436	HARNESS	1	

# WATER PUMP KIT ASSY.

WATER PUMP KIT ASSY.

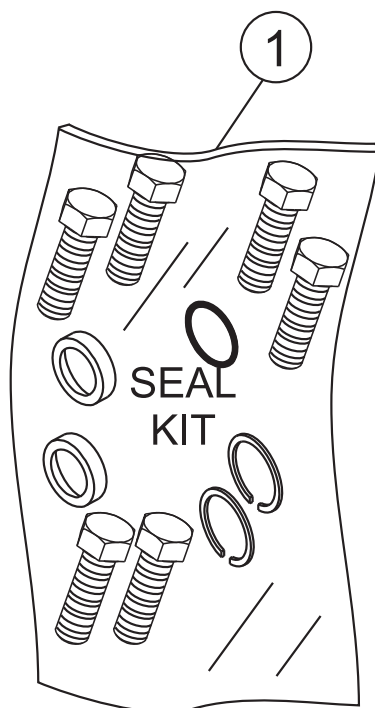


## WATER PUMP KIT ASSY.

### BELT DRIVE WITH WATER PUMP ASSY.

<u>NO.</u>	<u>PART NO.</u>	<u>PART NAME</u>	<u>QTY.</u>	<u>REMARKS</u>
1	342000	JABSCO WATER PUMP	1	
2	120089	BACKING PLATE, WATER PUMP	1	
3	35116	JACKSHAFT W/A, W/WATER PUMP OPTION	1	
4	406000	ROCKER SWITCH	1	
5	521006	AX 35 BELT	1	
6	521016	AX 43 BELT	1	
7	367021	16 M NPT HOLLOW HEX PLUG	1	
8	25931	FITTING, 90 8BARB - 1/2 MP (4390-8-8)	1	
9	369970	FITTING, PETCOCK RAD DRAIN 1/4MP	1	
10	1023	SCREW, HHC 3/8-16 X 1 1/4 GR 5	2	
11	933242	WASHER, FLAT SAE 3/8 GRD 9 YZ	2	
12	12171	SEAL, WEATHERPACK 16-18 GA, GREEN	2	
13	12176	CONNECTOR, WEATHERPACK 2 MALE PIN	1	
14	12179	FITTING, PETCOCK RAD DRAIN 1/4MP	2	
15	35080	HOSE, #8 LP - 40"	2	

GEARBOX SEAL KIT ASSY.



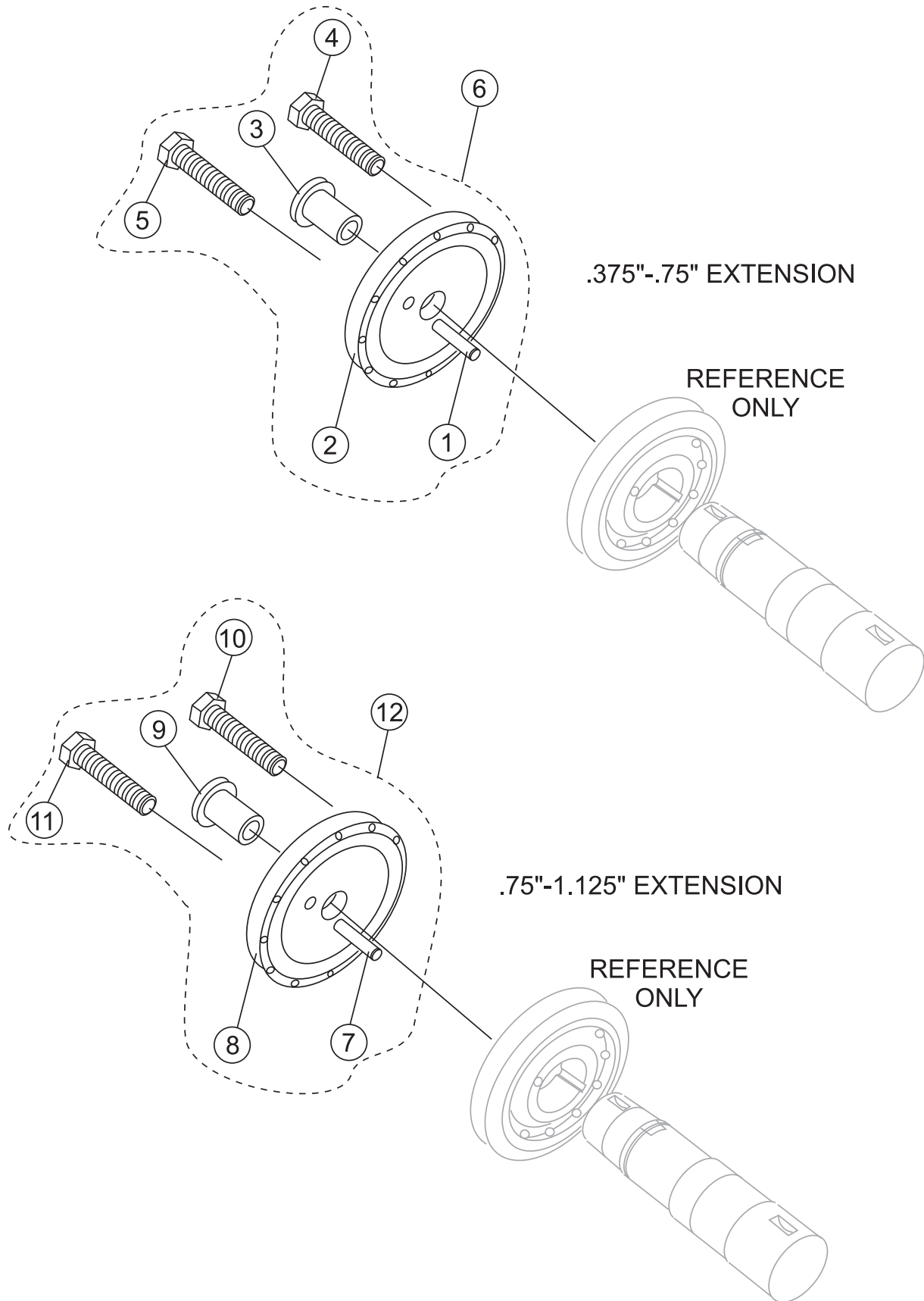
# GEARBOX SEAL KIT ASSY.

## GEARBOX SEAL KIT ASSY.

<u>NO</u>	<u>PART NO</u>	<u>PART NAME</u>	<u>QTY.</u>	<u>REMARKS</u>
1	TBD	SEAL KIT .....	1 .....	INCLUDES ITEMS BELOW
	576006	SNAP RING, SH-196	2	
	925382	SCREW, SHS 1/4-20 X 1/2	6	
	480006	SEAL, OIL CR-28655	1	
	480007	SEAL, OIL CR-19599	2	
	578135	O-RING, SIZE 135, VITON	2	

# BUSHING EXTENSION KITS ASSEMBLY

## BUSHING EXTENSION KITS ASSEMBLY



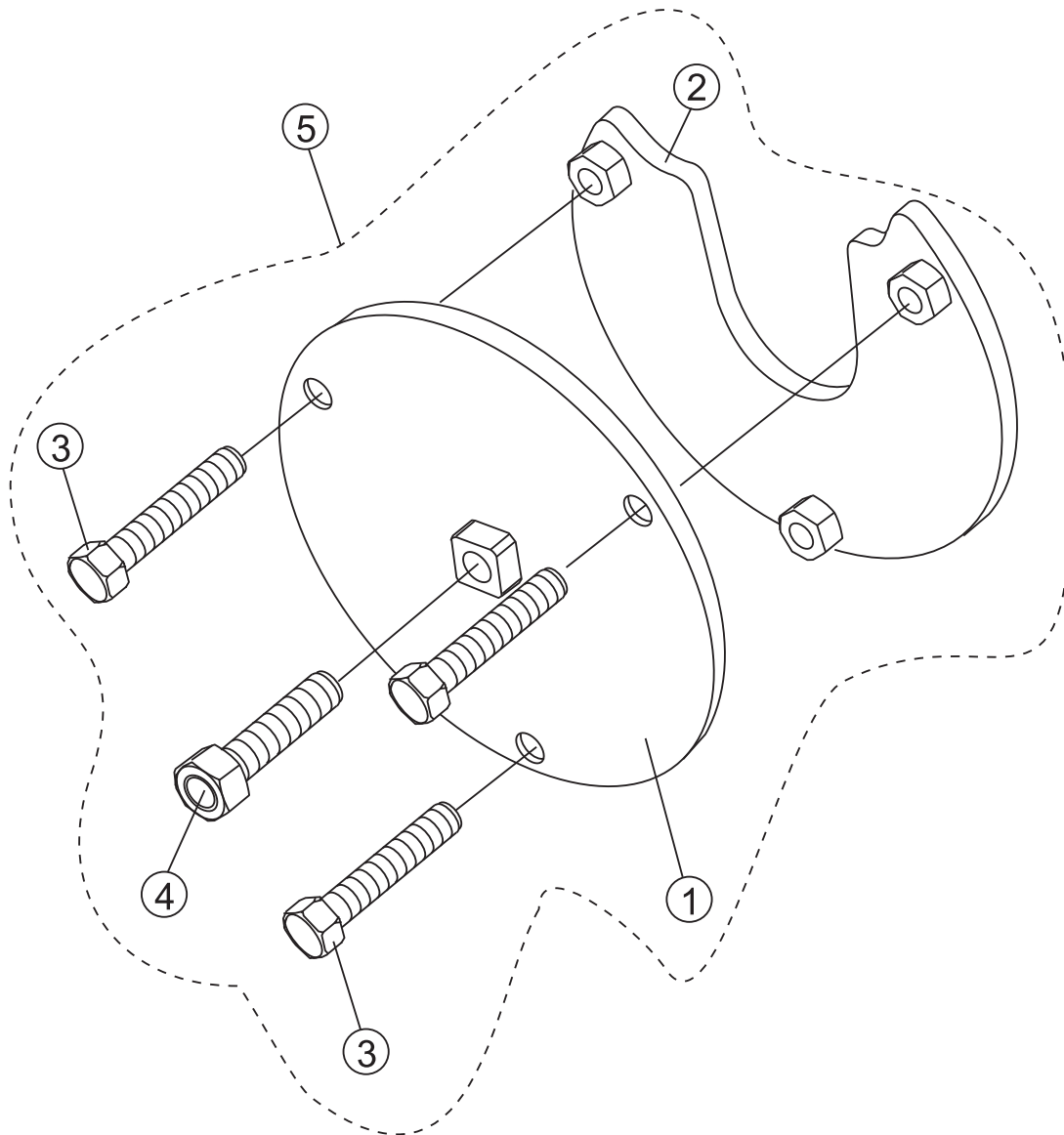
# BUSHING EXTENSION KITS ASSEMBLY

## BUSHING EXTENSION KITS ASSEMBLY

<u>NO.</u>	<u>PART NO.</u>	<u>PART NAME</u>	<u>QTY.</u>	<u>REMARKS</u>
1*	926949	DOWEL PIN, 3/8" X 2-1/4	1	
2*	180003	COLLAR, OUTER	1	
3*	582032	QD BUSHING, 3/8" - 3/4"	1	
4*	90123445	5/8"-11 X 4 LH HEX BOLT	1	
5*	915319	5/8"-11 X 4 RH HEX BOLT	1	
6	18501	BUSHING EXTENSION KIT (.375" — .75") .....	1	INCLUDES ITEMS W/*
7#	926950	DOWEL PIN, 3/8" X 2-1/2	1	
8#	180003	COLLAR, OUTER	1	
9#	582033	QD BUSHING, 3/4" - 1-1/8	1	
10#	90123445	5/8"-11 X 4 LH HEX BOLT	1	
11#	915319	5/8"-11 X 4 RH HEX BOLT	1	
12	18502	BUSHING EXTENSION KIT (.75" — 1.125") .....	1	INCLUDES ITEMS W/#

# COLLAR/FLANGE PULLER ASSY. (OPTION)

COLLAR/FLANGE PULLER (OPTION)





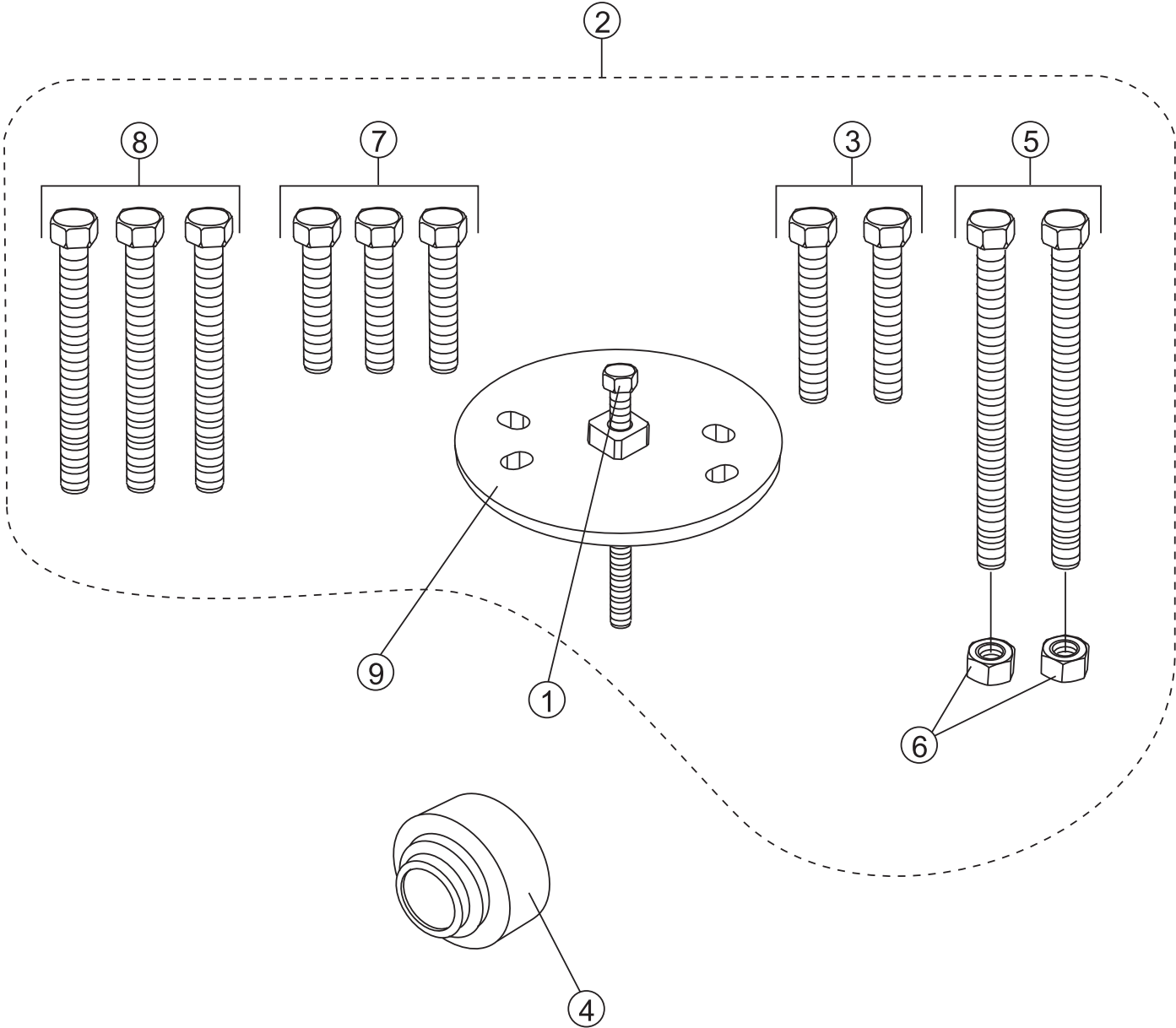
## COLLAR/FLANGE PULLER ASSY. (OPTION)

### COLLAR/FLANGE PULLER (OPTION)

<u>NO.</u>	<u>PART NO.</u>	<u>PART NAME</u>	<u>QTY.</u>	<u>REMARKS</u>
1*	584037	OUTER PULLER	1	
2*	584038	PLATE, PULLER	1	
3*	2549	SCREW, HHC 1/2"-13 X3	2	
4*	25138	SCREW, HHC 5/8"-11 X5 TAP	1	
5	18503	COLLAR/FLANGE PULLER ASSY. ...	1	INCLUDES ITEMS W/*

# SEAL SLEEVE PULLER ASSY. (OPTION)

COLLAR/FLANGE PULLER (OPTION)

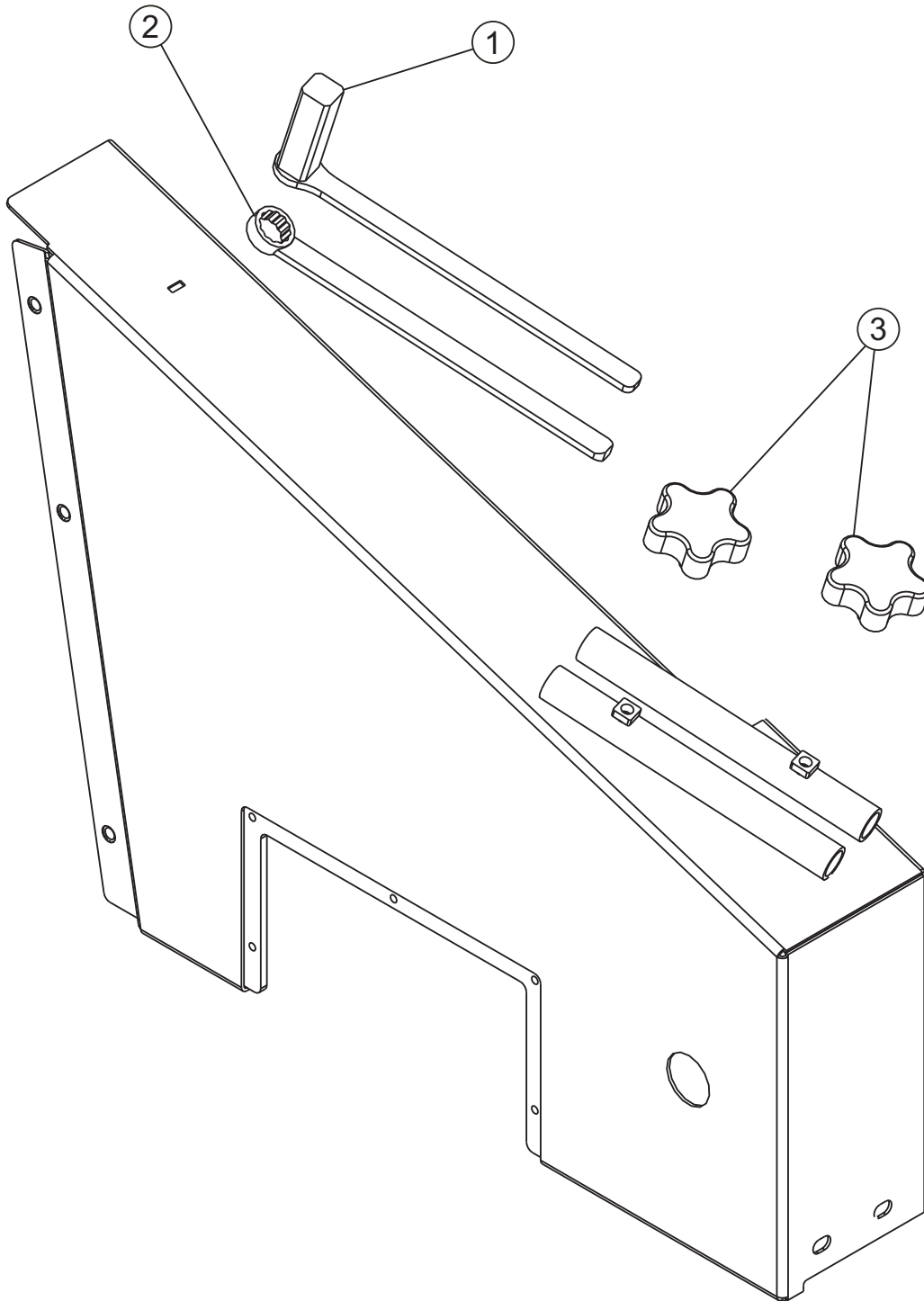


## SEAL SLEEVE PULLER ASSY. (OPTION)

### COLLAR/FLANGE PULLER (OPTION)

<u>NO.</u>	<u>PART NO.</u>	<u>PART NAME</u>	<u>QTY.</u>	<u>REMARKS</u>
1	35163	SCREW, HHC 3/8 – 16 X 4 FULL THREAD	1	
2	M18505	SEAL SLEEVE & THRUST WASHER PULLER ASSY. ....	1	INCLUDES ITEMS W/*
3*	35162	SCREW, 10 - 24 X 6 FULL THREAD	2	
4	584049	SEAL INSTALLATION TOOL	1	
5*	35161	SCREW, 10 - 24 X 12 FULL THREAD	2	
6*	937980	NUT, WELD 10 - 24	2	
7*	35164	SCREW, HHC 1/4 – 20 X 5	3	
8*	35165	SCREW, HHC 1/4 – 20 X 10	3	
9	584050	TOOL, SEAL REMOVAL	1	

TOOLS



## TOOLS

<u>NO.</u>	<u>PART NO.</u>	<u>PART NAME</u>	<u>QTY.</u>	<u>REMARKS</u>
1	584015	BLADESHAFT SHIFT WRENCH W/A, 6457	1	
2	584011	15-16 BLADE WRENCH	1	
3	15503	KNOB, COMFORT GRIP	2	

# TERMS AND CONDITIONS OF SALE — PARTS

## PAYMENT TERMS

Terms of payment for parts are net 30 days.

## FREIGHT POLICY

All parts orders will be shipped collect or prepaid with the charges added to the invoice. All shipments are F.O.B. point of origin. Multiquip's responsibility ceases when a signed manifest has been obtained from the carrier, and any claim for shortage or damage must be settled between the consignee and the carrier.

## MINIMUM ORDER

The minimum charge for orders from Multiquip is \$15.00 net. Customers will be asked for instructions regarding handling of orders not meeting this requirement.

## RETURNED GOODS POLICY

Return shipments will be accepted and credit will be allowed, subject to the following provisions:

1. A Returned Material Authorization must be approved by Multiquip prior to shipment.
2. To obtain a Return Material Authorization, a list must be provided to Multiquip Parts Sales that defines item numbers, quantities, and descriptions of the items to be returned.
  - a. The parts numbers and descriptions must match the current parts price list.
  - b. The list must be typed or computer generated.
  - c. The list must state the reason(s) for the return.
  - d. The list must reference the sales order(s) or invoice(s) under which the items were originally purchased.
  - e. The list must include the name and phone number of the person requesting the RMA.
3. A copy of the Return Material Authorization must accompany the return shipment.
4. Freight is at the sender's expense. All parts must be returned freight prepaid to Multiquip's designated receiving point.

5. Parts must be in new and resalable condition, in the original Multiquip package (if any), and with Multiquip part numbers clearly marked.
6. The following items are not returnable:
  - a. Obsolete parts. (If an item is in the price book and shows as being replaced by another item, it is obsolete.)
  - b. Any parts with a limited shelf life (such as gaskets, seals, "O" rings, and other rubber parts) that were purchased more than six months prior to the return date.
  - c. Any line item with an extended dealer net price of less than \$5.00.
  - d. Special order items.
  - e. Electrical components.
  - f. Paint, chemicals, and lubricants.
  - g. Decals and paper products.
  - h. Items purchased in kits.
7. The sender will be notified of any material received that is not acceptable.
8. Such material will be held for five working days from notification, pending instructions. If a reply is not received within five days, the material will be returned to the sender at his expense.
9. Credit on returned parts will be issued at dealer net price at time of the original purchase, less a 15% restocking charge.
10. In cases where an item is accepted, for which the original purchase document can not be determined, the price will be based on the list price that was effective twelve months prior to the RMA date.
11. Credit issued will be applied to future purchases only.

## PRICING AND REBATES

Prices are subject to change without prior notice. Price changes are effective on a specific date and all orders received on or after that date will be billed at the revised price. Rebates for price declines and added charges for price increases will not be made for stock on hand at the time of any price change.

Multiquip reserves the right to quote and sell direct to Government agencies, and to Original Equipment Manufacturer accounts who use our products as integral parts of their own products.

## SPECIAL EXPEDITING SERVICE

A \$35.00 surcharge will be added to the invoice for special handling including bus shipments, insured parcel post or in cases where Multiquip must personally deliver the parts to the carrier.

## LIMITATIONS OF SELLER'S LIABILITY

Multiquip shall not be liable hereunder for damages in excess of the purchase price of the item with respect to which damages are claimed, and in no event shall Multiquip be liable for loss of profit or good will or for any other special, consequential or incidental damages.

## LIMITATION OF WARRANTIES

No warranties, express or implied, are made in connection with the sale of parts or trade accessories nor as to any engine not manufactured by Multiquip. Such warranties made in connection with the sale of new, complete units are made exclusively by a statement of warranty packaged with such units, and Multiquip neither assumes nor authorizes any person to assume for it any other obligation or liability whatever in connection with the sale of its products. Apart from such written statement of warranty, there are no warranties, express, implied or statutory, which extend beyond the description of the products on the face hereof.

Effective: February 22, 2006



# PARTS MANUAL

## HERE'S HOW TO GET HELP

PLEASE HAVE THE MODEL AND SERIAL  
NUMBER ON-HAND WHEN CALLING

### UNITED STATES

#### ***Multiquip Corporate Office***

18910 Wilmington Ave.      Tel. (800) 421-1244  
Carson, CA 90746      Fax (800) 537-3927  
Contact: mq@multiquip.com

#### ***Service Department***

800-421-1244      Fax: 310-537-4259  
310-537-3700

#### ***Technical Assistance***

800-478-1244      Fax: 310-943-2238

#### ***MQ Parts Department***

800-427-1244      Fax: 800-672-7877  
310-537-3700      Fax: 310-637-3284

#### ***Warranty Department***

800-421-1244      Fax: 310-537-1173  
310-537-3700

---

### MEXICO

#### ***MQ Cipsa***

Carr. Fed. Mexico-Puebla KM 126.5      Tel: (52) 222-225-9900  
Momoxpan, Cholula, Puebla 72760 Mexico      Fax: (52) 222-285-0420  
Contact: pmastretta@cipsa.com.mx

### CANADA

#### ***Multiquip***

4110 Industriel Boul.      Tel: (450) 625-2244  
Laval, Quebec, Canada H7L 6V3      Tel: (877) 963-4411  
Contact: jmartin@multiquip.com      Fax: (450) 625-8664

---

### UNITED KINGDOM

#### ***Multiquip (UK) Limited Head Office***

Unit 2, Northpoint Industrial Estate,      Tel: 0161 339 2223  
Globe Lane,      Fax: 0161 339 3226  
Dukinfield, Cheshire SK16 4UJ  
Contact: sales@multiquip.co.uk

© COPYRIGHT 2010, MULTIQUIP INC.

Multiquip Inc and the MQ logo are registered trademarks of Multiquip Inc. and may not be used, reproduced, or altered without written permission. All other trademarks are the property of their respective owners and used with permission.

This manual MUST accompany the equipment at all times. This manual is considered a permanent part of the equipment and should remain with the unit if resold.

The information and specifications included in this publication were in effect at the time of approval for printing. Illustrations, descriptions, references and technical data contained in this manual are for guidance only and may not be considered as binding. Multiquip Inc. reserves the right to discontinue or change specifications, design or the information published in this publication at any time without notice and without incurring any obligations.

Your Local Dealer is:

