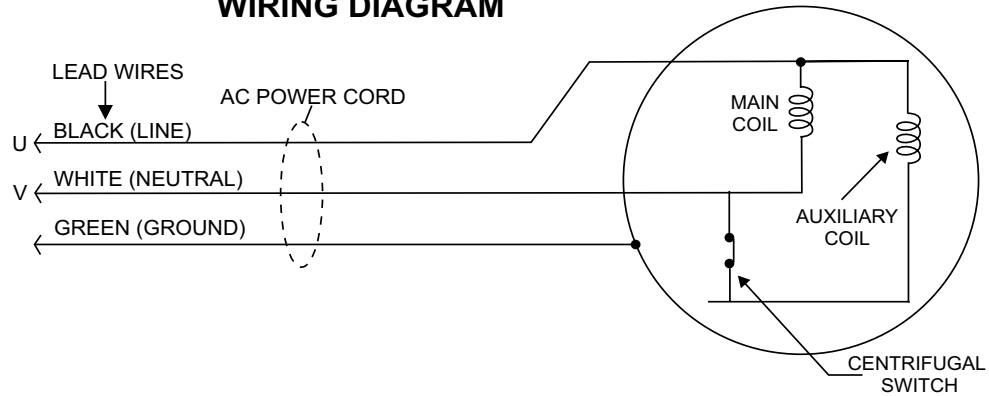


ST-1500 SERIES SUB. PUMP — WIRING DIAGRAMS

115 VAC, 60 Hz. ELECTRIC MOTOR WIRING DIAGRAM



CONTROL BOX WIRING DIAGRAM

