

# ST-3050D SUB. PUMP/CONTRL. BOX — WIRING DIAGRAM (CB200)

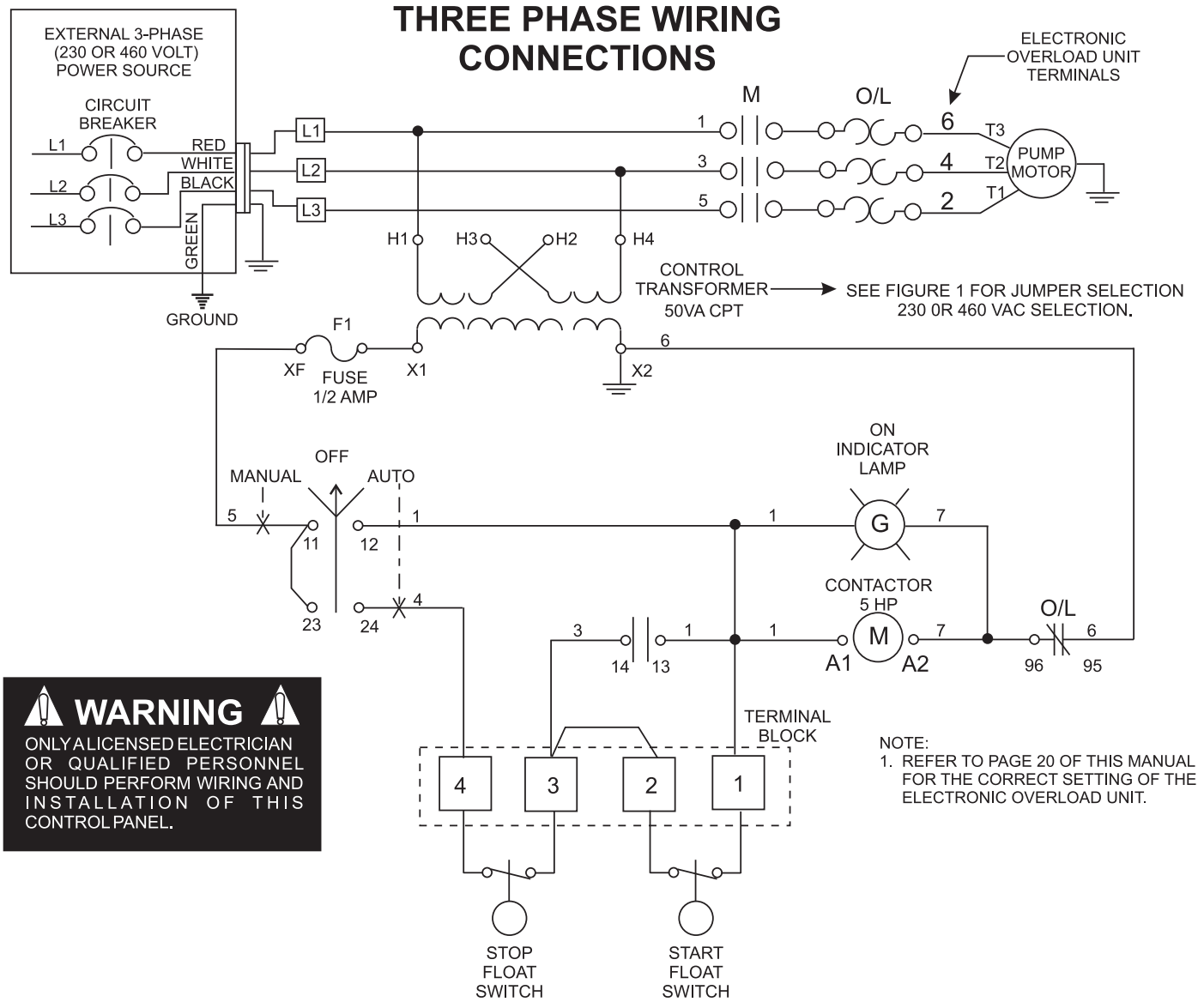
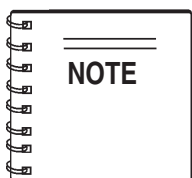


Figure 7. Control Box Wiring Diagram



Float switch connections are for use with the CB200 Control Box only!