

MQ ST61460

MULTIQUIP® 6" Submersible Pump

GALLONS PER MINUTE

647 (2,450 L)

HEAD

105 ft (32 M)

POWER

460V, Three-Phase, 60Hz

APPLICATIONS

CONSTRUCTION

Standing Water, Excavation, Site Drainage, and Manholes

INDUSTRIAL

Water Supply from Lakes/Rivers, Wastewater, Quarries, and Irrigation

STANDARD FEATURES

- **Heavy-duty 15 HP motor** for maximum reliability.
- Replaceable 6" (NPT) male discharge port.
- Industrial **460V, 60Hz three-phase oil-free motor** equipped with thermal overload, over-current protection.
- Easy impeller clean-out.
- **Heat-treated output shaft**, 420J2 stainless steel construction for corrosion resistance.
- **49.2 ft molded power cord** with strain relief.
- **Dewaters flat surfaces up to 5.5"** (139.7 mm) levels.
- Dynamically balanced, high chrome impeller for abrasion resistance.
- **Compact housing and streamlined design** allows pump to fit into pipes greater than 14".
- **Oil-filled, double mechanical pump seals** provide reliable protection in the most demanding conditions.
- Pumps liquids up to 104° F.

WARRANTY*

ST61460: 12 months from date of purchase.

Hoses: 3 months from date of purchase.

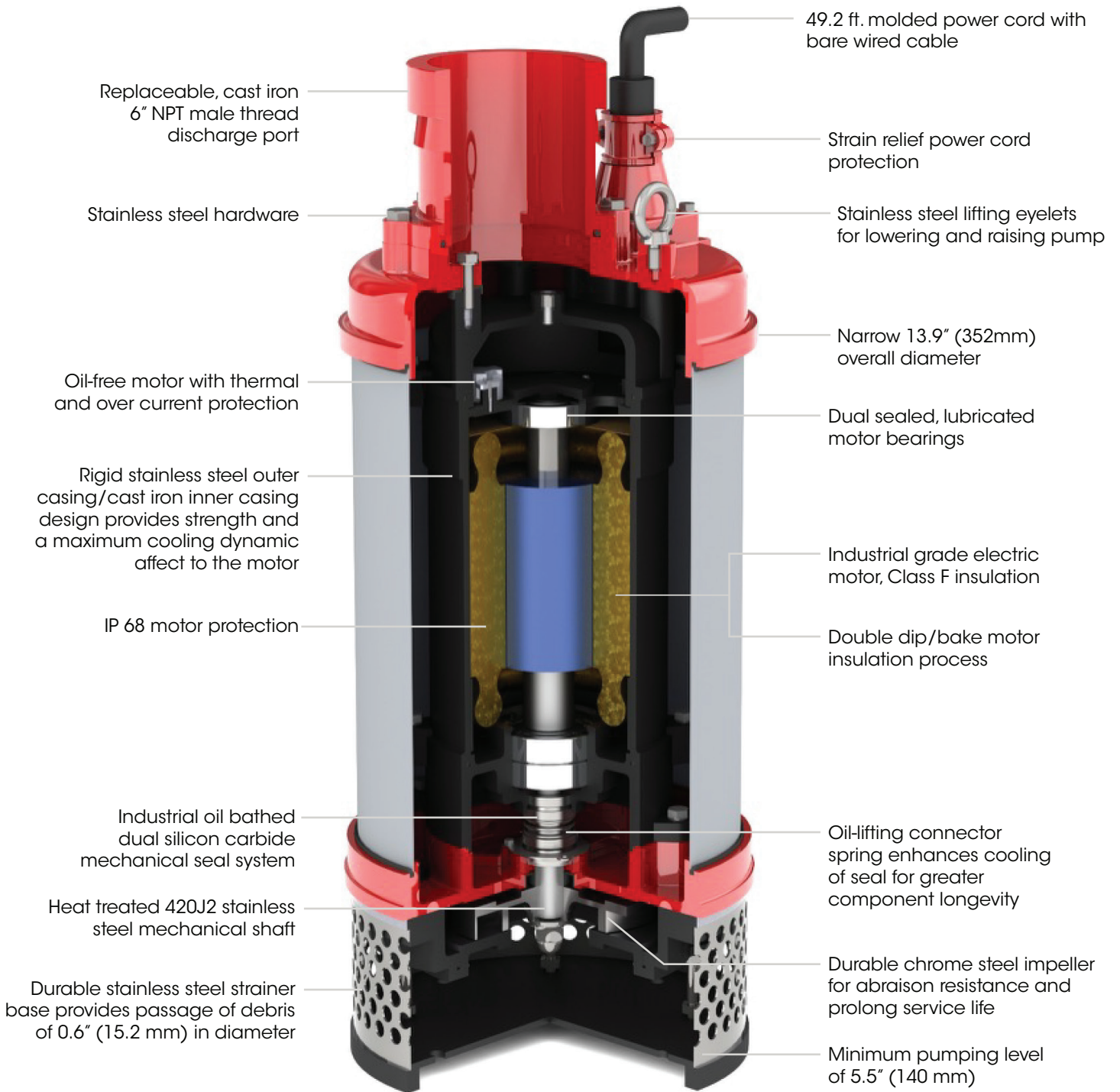
Float Switches: 3 months from date of purchase.

CB14A5663: 3 months from date of purchase.

*Refer to the MULTIQUIP NEW PRODUCT LIMITED WARRANTY FOR FULL TERMS AND CONDITIONS.

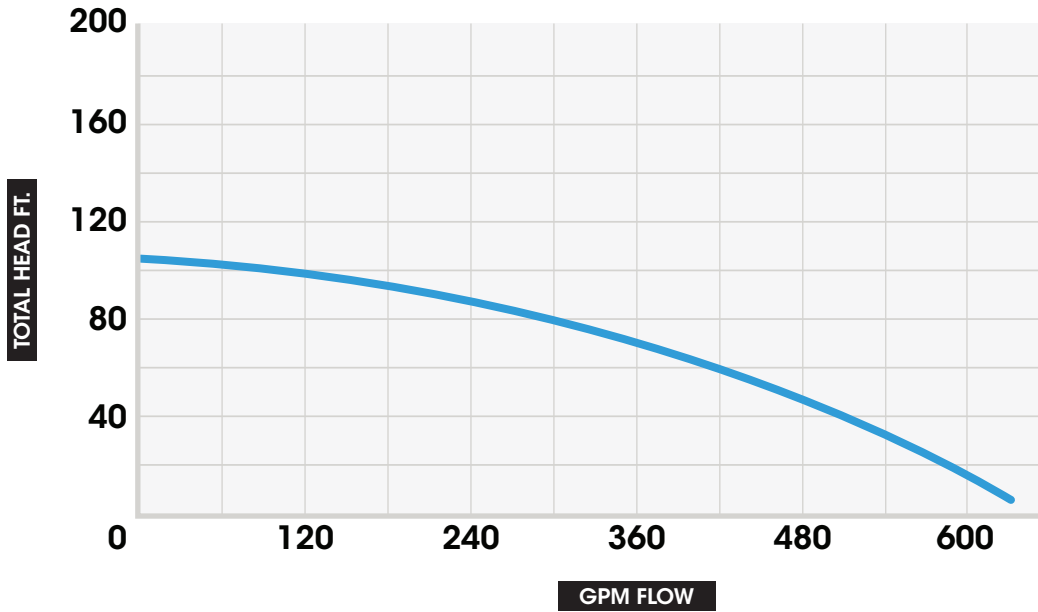


FEATURES

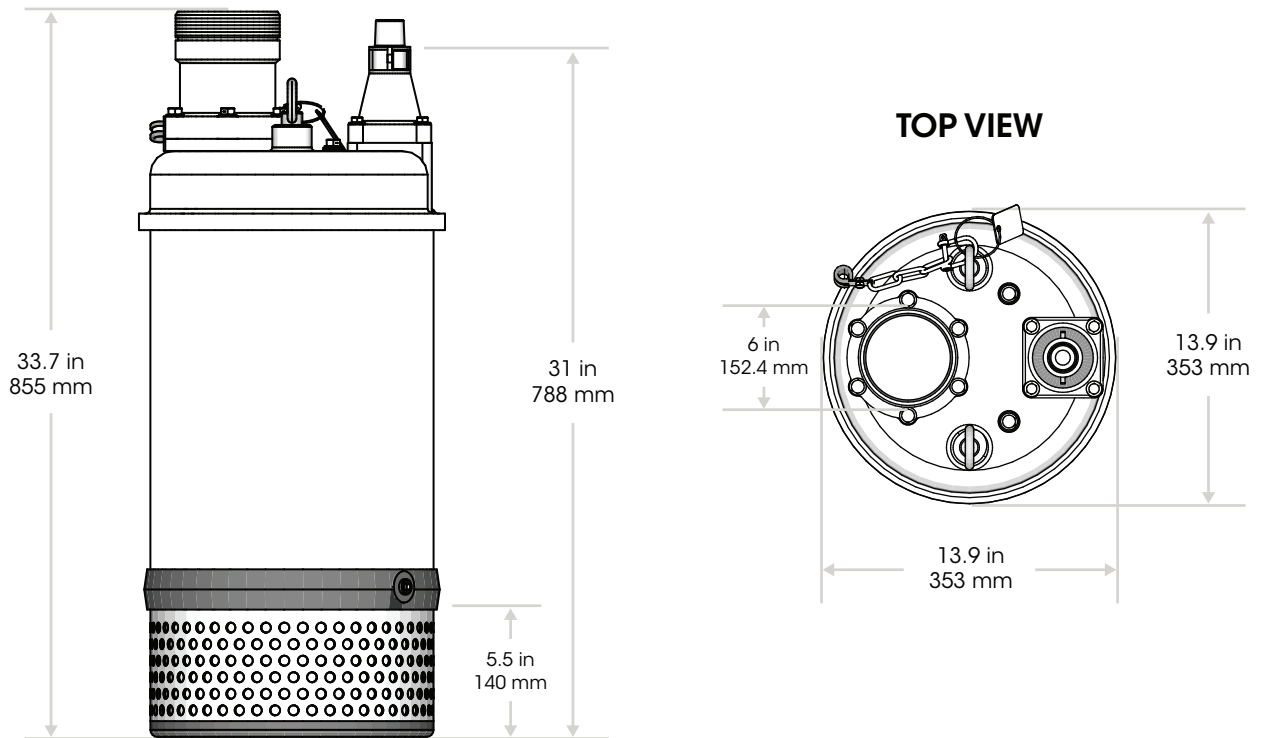


© COPYRIGHT 2026 MULTIQUIP INC. (REV 03172026)

PUMP CURVE



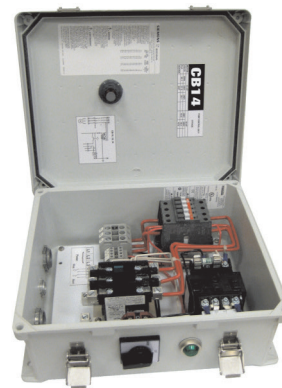
PUMP DIMENSIONS



SPECIFICATIONS

PUMP SPECIFICATIONS	
MODEL	ST61460
TYPE	CENTRIFUGAL SUB PUMP
IMPELLER	CHROME STEEL
SUCTION/DISCHARGE SIZE	6.00 in. (152.4 mm)
MAX. PUMPING CAPACITY	647 GALLONS/MIN (2,450 L/MIN)
MAX. HEAD	105 ft. (32 M)
PSI	45.5
MIN. PUMPING LEVEL	5.5 in. (140 mm)
MIN. SUBMERGENCE	31.3 in. (795 mm)
MAX. SOLID HANDLING	0.6 in. (15.2 mm)
HORSEPOWER	15 (11.1855 kW)
VOLTAGE	460V
PHASE	3Ø
FREQUENCY	60 Hz
STARTING AMPS	113.0
RUNNING AMPS	22.6
MIN. GENERATOR KW TO START/RUN	36 kW/14.4 kW
INSULATION	CLASS F
MAX. FLUID TEMPERATURE	104°F (40°C)
THERMAL OVERLOAD PROTECTION	STANDARD
ROTATION	CLOCKWISE
RPM	3,600 (±30)
MECHANICAL SEAL SYSTEM	DOUBLE MECHANICAL SEALS (LOWER SILICON CARBIDE V SILICON CARBIDE, UPPER CARBON/CERAMIC) IN OIL CHAMBER
MECHANICAL SEAL OIL CAPACITY	47 oz (1,400 cc)
MECHANICAL SEAL OIL TYPE	ISO VG32 OR EQUIVALENT
MECHANICAL SHAFT	STAINLESS STEEL
O-RINGS	NITRILE RUBBER
HARDWARE	STAINLESS STEEL
SALT OR CHEMICALS	NO
POWER CABLE PLUG	BARE WIRES
CABLE TYPE	PVC, 5.5mm ² X 4C, 60° C, 600V, 10AWG, CSA, AWM
POWER CABLE PROTECTION	STRAIN RELIEF
POWER CABLE LENGTH	49.2 ft. (15 M)
DRY WEIGHT	301 lb. (136.5 kg)

FLOAT SWITCH FEATURES	SW1WOPA
SINGLE MECHANICAL FLOAT	X
OPEN WIRE END, FOR CONTROL BOX APPLICATIONS ONLY	X
CORROSION RESISTANT PVC HOUSING	X
HEAVY-DUTY CONTACTS	X
OPERATES IN WATER UP TO 104°F (40°C)	X
ADJUSTABLE RANGE 7" TO 36" (18 TO 91 CM)	X
16 GAUGE CORD FLOAT SWITCH CORD 20' (6.1 M)	X
PRESSURE TESTED TO 60'	X
INCLUDES MOUNTING CLAMPS	X
UL RECOGNIZED	X
CSA CERTIFIED	X



CB14A5663



SW1WOPA

CB14A5663 CONTROL BOX

Offered for model ST61460 (460V 3Ø). Magnetic starter, electronic overload protection, power spike control, and short circuit protection. Watertight UL/CUL enclosure and cable glands that support float switches. ON/OFF switch with running lights.

SW1WOPA float switch sold separately.

Voltage - 460V

Phase - 3Ø

Amps (FLA) - 22.9A

UL Listed

OPTIONS

DISCHARGE HOSES

- **HD650C** - 6" x 50 ft., 45psi, NPS thread
- **HDQ650C** - 6" x 50 ft., 45psi NPT thread, includes one quick disconnect coupler
- **A600A** - 6" type A coupler, male quick disconnect x female NPT



HD650C



HDQ650C



A600A

NOTICE Features and Specifications are subject to change without notice.