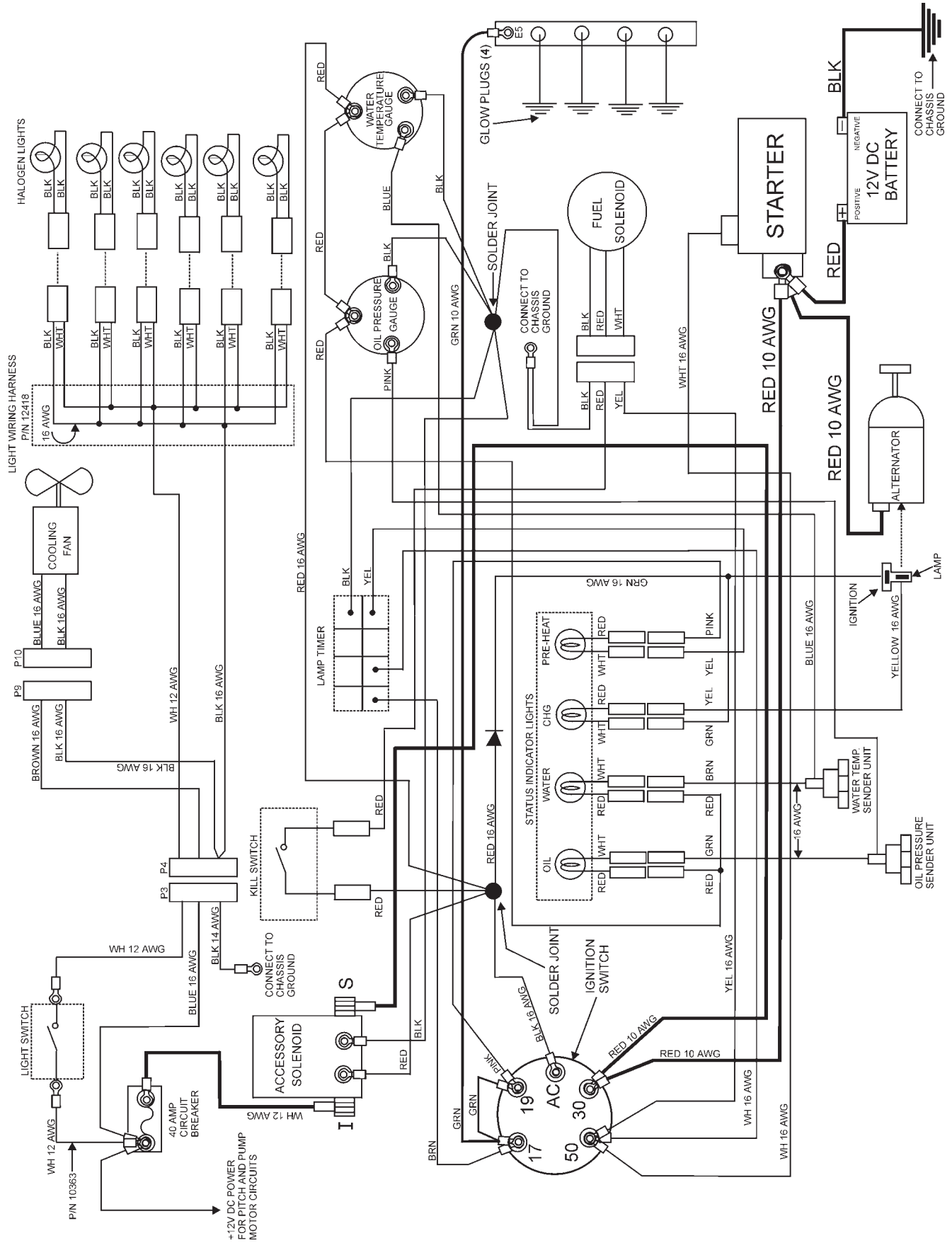
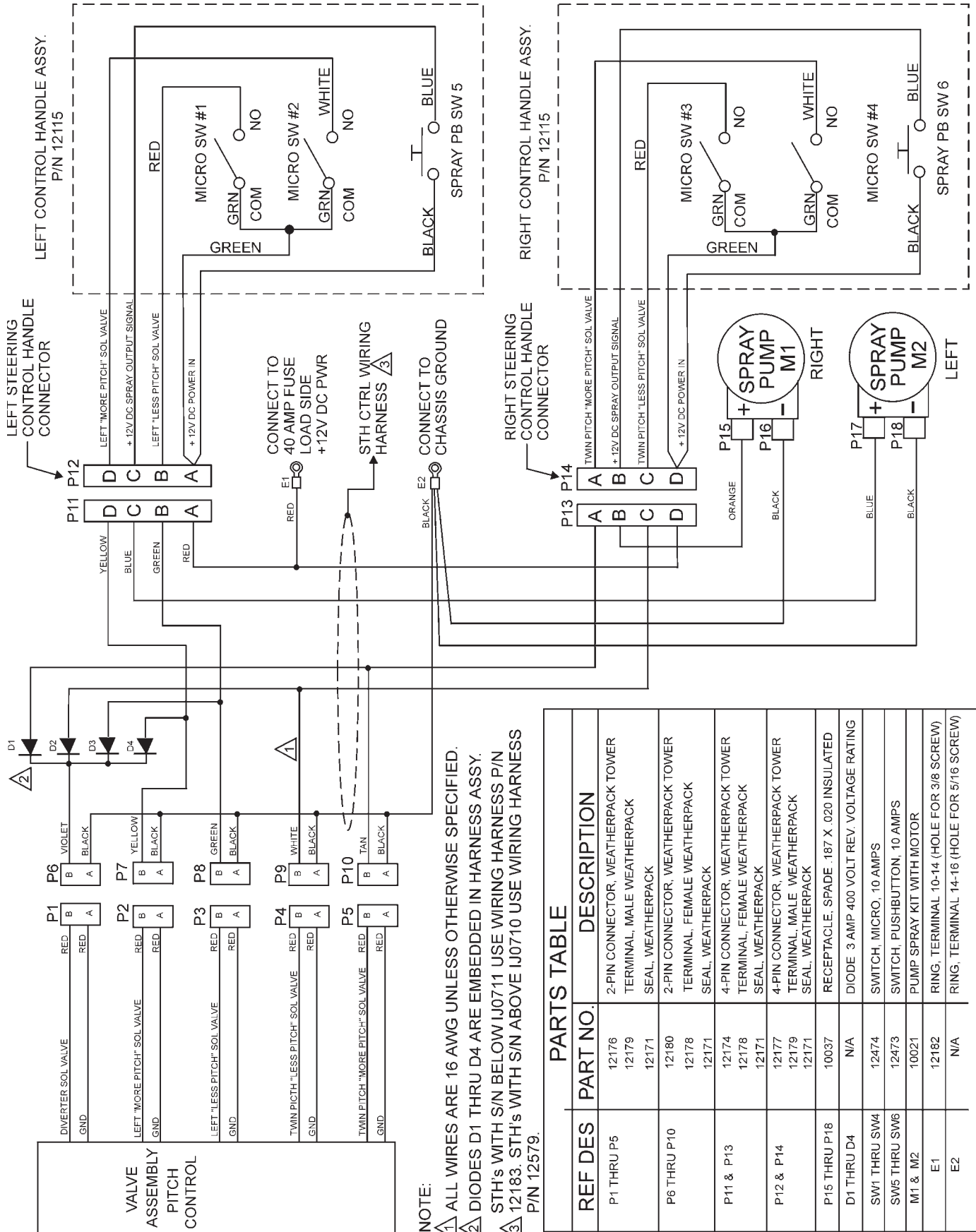


STH-55JD-TC — WIRING DIAGRAM



STH-55JD-TC — CONTROL WIRING DIAGRAM



REF DES	PART NO.	DESCRIPTION
P1 THRU P5	12176	2-PIN CONNECTOR, WEATHERPACK TOWER
	12179	TERMINAL, MALE WEATHERPACK
	12171	SEAL, WEATHERPACK
P6 THRU P10	12180	2-PIN CONNECTOR, WEATHERPACK TOWER
	12178	TERMINAL, FEMALE WEATHERPACK
	12171	SEAL, WEATHERPACK
P11 & P13	12174	4-PIN CONNECTOR, WEATHERPACK TOWER
	12178	TERMINAL, FEMALE WEATHERPACK
	12171	SEAL, WEATHERPACK
P12 & P14	12177	4-PIN CONNECTOR, WEATHERPACK TOWER
	12179	TERMINAL, MALE WEATHERPACK
	12171	SEAL, WEATHERPACK
P15 THRU P18	10037	RECEPTACLE, SPADE .187 X .020 INSULATED
D1 THRU D4	N/A	DIODE 3 AMP 400 VOLT REV. VOLTAGE RATING
SW1 THRU SW4	12474	SWITCH, MICRO, 10 AMPS
SW5 THRU SW6	12473	SWITCH, PUSHBUTTON, 10 AMPS
M1 & M2	10021	PUMP SPRAY KIT WITH MOTOR
E1	12182	RING, TERMINAL 10-14 (HOLE FOR 3/8 SCREW)
E2	N/A	RING, TERMINAL 14-16 (HOLE FOR 5/16 SCREW)