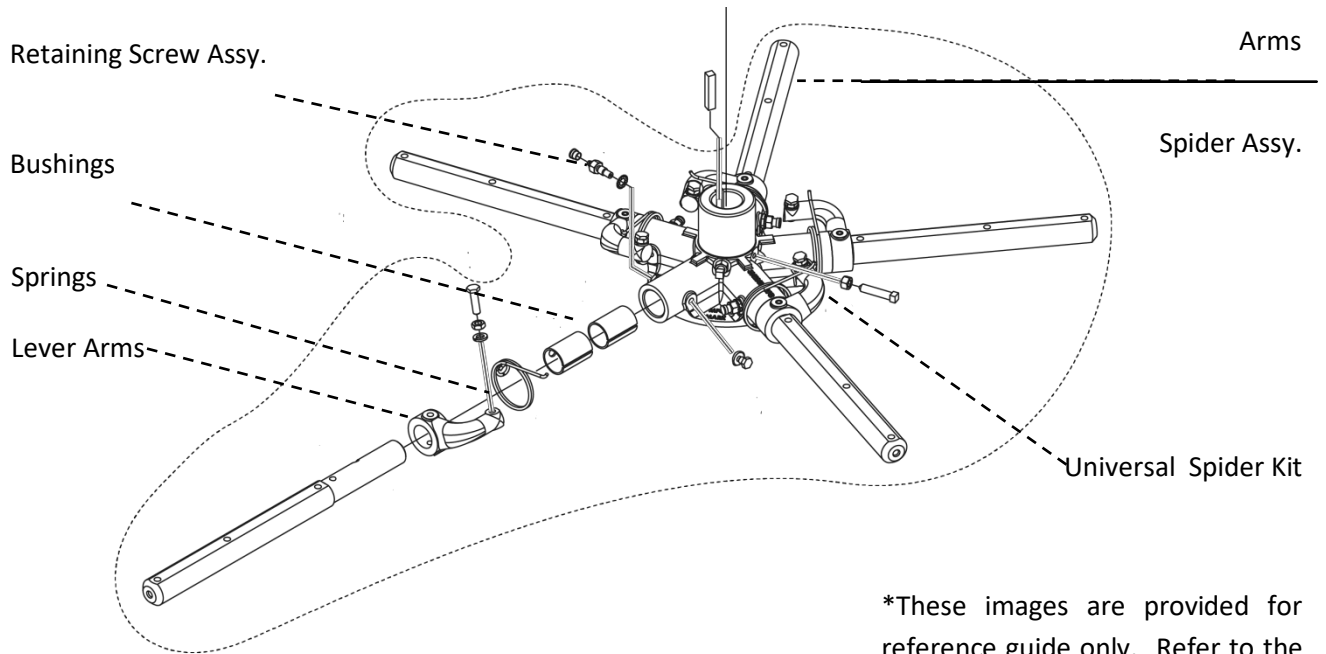


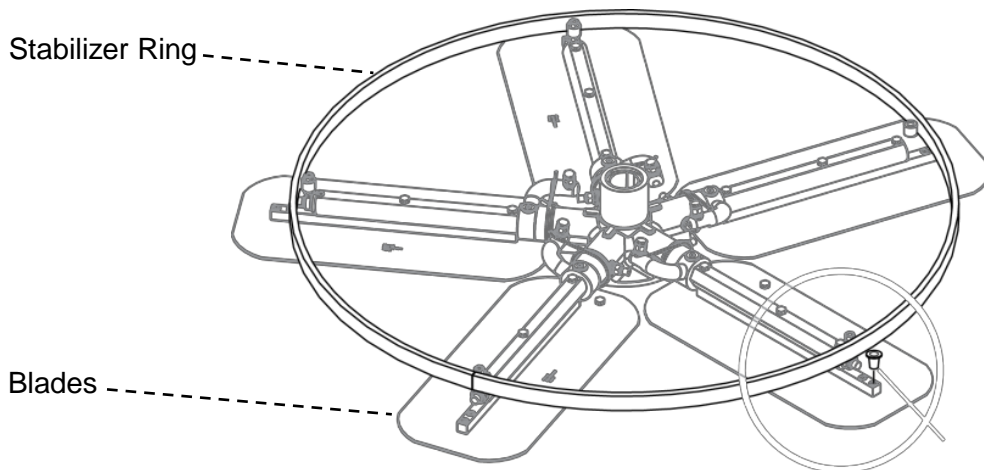


This bulletin is provided for technical reference and service related updates. If you have any questions, comments or do not wish to receive these e-mails, please reply to this e-mail or call the Service Technical Support Group 800 478-1244.

## SPIDER ASSEMBLY REFERENCE CHART



\*These images are provided for reference guide only. Refer to the Operation and Parts manual for actual depiction of your trowel.



**SEE THE FOLLOWING PAGES FOR TABLE CHART**



This bulletin is provided for technical reference and service related updates. If you have any questions, comments or do not wish to receive these e-mails, please reply to this e-mail or call the Service Technical Support Group 800 478-1244.

## WALK-BEHIND TROWELS

Model	# of Blades	Spider Assy	Universal Spider kit	Stabilizer Ring	Arm	Lever Arms	Springs Left Side	Bushings	Spider Center Hole Size
B3 EXT ARM	3BLD	1489	1156	NA	2827-1	1163-1	1316	1157 A	1 1/8
B3 SHORT ARM	3BLD	1155	1156	NA	2828-1	1163-1	1316	1157 A	1 1/8
B4 EXT ARM	4BLD	1490	1161-1	NA	2827-1	1163-1	1316	1157 A	1 1/8
B4 SHORT ARM, MQT48, SCT46	4BLD	21261	1161-1	NA	2828-1	1163-1	1316	1157 A	1 1/8
B42, B46H90, B46H11, B46R90, B46S90, BH90C, BH11C, PRO46 B48, BA4, BA48, BG47, HPHA46, HPLA46,	4BLD	1490	1161-1	1483	2827-1	1163-1	1316	1157 A	1 1/8
BG20, CA4,	4BLD	11860	10563-1	NA	10768-1	NA	30148	NA	1 1/8
BG37, HPHA36, HPLA36, J36E2, J36H55, J36R60, J36H90H, J36R90H, J36H90, J36R90, J36S60, M30, JH55C, JH90C, PRO36, J42, J45, JA45, JA46, M45, M46, M36, MQT36, MQT304, SCT36	4BLD	1215	1161-1	NA	2826-1	1163-1	1316	1157 A	1 1/8
E41, E45,	4BLD	1900	11790-1	NA	2830	1163-1	1316	1157 A	1 1/8
HDA48	4BLD	9150	11787	9148	2829-1	11903-1	9111	11039	1 1/8
J3, JA3	3BLD	1210	1156	NA	2826-1	1163-1	1316	1157 A	1 1/8



This bulletin is provided for technical reference and service related updates. If you have any questions, comments or do not wish to receive these e-mails, please reply to this e-mail or call the Service Technical Support Group 800 478-1244.

## MECHANICAL RIDE-ON TROWELS

Model	# of Blades	Spider Assy Left Side	Spider Assy Right Side	Universal Spider kit	Stabilizer Ring	Arm	Lever Arm Left side	Lever Arm Right side	Springs Left Side	Springs Right Side	Bushings	Spider Center Hole Size
BG67	4BLD	12254	12253	12452	NA	2826-1	1163-1	1555-1	1316	1317	1157 A	1 1/8
BGN92	4BLD	12073	12072	12785	NA	2829-1	11903-1	11904-1	11595	11594	11039	1 1/8
BTO18	4BLD	12479	1693	12452	NA	2827-1	1163-1	1555-1	1316	1317	1157 A	1 1/8
BTO20	4BLD	12479	1693	12542	NA	2827-1	1163-1	1555-1	1316	1317	1157 A	1 1/8
HHNG4	4BLD	12932X	12933X	11987X	1483	2829-1	11903-1	11904-1	1316	1317	11039	1 1/4
HHNG5	5BLD	12932	12933	21208	12095	2829-1	11093-1	11094-1	1316	1317	11039	1 1/4
HHN31	4BLD	12932X	12933X	11987X	1483	2829-1	11903-1	11904-1	9111	2143	11039	1 1/4
HHN31	5BLD	12932	12933	21208	12095	2829-1	11903-1	11904-1	9111	2143	11039	1 1/4
HHN34	4BLD	12932X	12933X	11987X	1483	2829-1	11903-1	11904-1	9111	2143	11039	1 1/4
HHN34	5BLD	12932	12933	21208	12095	2829-1	11903-1	11904-1	9111	2143	11039	1 1/4
HHXG4	4BLD	12932X	12933X	11987X	1483	2829-1	11903-1	11904-1	9111	2143	11039	1 1/4
HHXG5	5BLD	12932	12933	21208	12095	2829-1	11903-1	11904-1	9111	2143	11039	1 1/4
HHXD4	4BLD	12932X	12933X	11987X	1483	2829-1	11903-1	11904-1	9111	2143	11039	1 1/4
HHXD5	5BLD	12932	12933	21208	12095	2829-1	11903-1	11904-1	9111	2143	11039	1 1/4
HHXDF4	4BLD	12932X	12933X	11987X	1483	2829-1	11903-1	11904-1	9111	2143	11039	1 1/4
HHXDF5	5BLD	12932	12933	21208	12095	2829-1	11903-1	11904-1	9111	2143	11039	1 1/4
EHHNK5	5BLD	12932	12933	21208	12095	2829-1	11903-1	11904-1	9111	2143	11039	1 1/4
HTN20, 24, 25, 26, 27, 28, STR46	4BLD	12073	12072	12785	NA	21495-1 L 2829-1 R	11903-1	11904-1	11595	11594	11039	1 1/4
HTN20, 24, 25, 26, 27, 28, STR46	4BLD	10754	10756	11787	NA	2827	1555-1	1163-1	9111	2143	11039	1 1/8
HTN20, 24, 25, 26, 27, 28, STR46	5BLD	NA	NA	12611	12095	2829-1	11903-1	11904-1	11595	11594	11039	1 1/8
HTN	4BLD	-	-	11592	-	-	-	-	-	-	-	1 1/8
HTN31, HTO31	5BLD	12791	12792	12787	NA	2829-1	11903-1	11904-1	9111	2143	11039	1 1/4
HTO24, 25, 26,	4BLD	12073	12072	12785	NA	21495-1 L 2829-1 R	11903-1	11904-1	11595	11594	11039	1 1/8
JTN18, 20, JTO18, 20	4BLD	12252	12251	12452	NA	2826-1	1163-1	1555-1	1316	1317	1157 A	1 1/8
JWN24	4BLD	20369	20370	12478	NA	20409-1 L 20408-1 R	1163-1	1555-1	1316	1317	1157 A	1 1/8
STR36	4BLD	10754	10756	12478	NA	20409-1 L 20408-1 R	1163-1	1555-1	1316	1317	1157 A	1 1/8



This bulletin is provided for technical reference and service related updates. If you have any questions, comments or do not wish to receive these e-mails, please reply to this e-mail or call the Service Technical Support Group 800 478-1244.

## HYDRAULIC RIDE-ON TROWELS

Model	# of Blades	Spider Assy Left Side	Spider Assy Right side	Universal Spider kit	Stabilizer Ring	Arm	Lever Arm Left side	Lever Arm Right side	Springs Left Side	Springs Right Side	Bushings	Spider Center Hole Size
HTH38K	4BLD	11850	11849	21209	9148	2829-1	11903-1	11904-1	11595	11594	11039	40 mm
HTH38K	5BLD	12046	12047	21210	12095	2829-1	11903-1	11904-1	9111	2143	11039	40 mm
HTH44TK E**	4BLD	21666	21667	21751	9148	2829-1	11903-1	11904-1	11595	11594	11039	Tapered
HTH44TK E**	5BLD	20180	20181	30150	12095	2829-1	11903-1	11904-1	9111	2143	11039	Tapered
HTX44K4 E**	4BLD	21666	21667	21751	9148	2829-1	11903-1	11904-1	9111	2143	11039	Tapered
HTX44K5 E**	5BLD	20180	20181	30150	12095	2829-1	11903-1	11904-1	9111	2143	11039	Tapered
HTX44K5 S*	5BLD	22844-1	22845-1	22846	12095	2829-1	11903-1	11904-1	9111	2143	11039	Tapered
HTX44Y4 S*	4BLD	21666	21667	21751	9148	2829-1	11903-1	11904-1	9111	2143	11039	Tapered
HTX44Y5 S*	5BLD	22844-1	22845-1	22846	12095	2829-1	11903-1	11904-1	9111	2143	11039	Tapered
HTXD6I S*	6BLD	32034-1	32033-1	23341	32031	2829-1	21049-1	21050-1	9111	2143	11039	Tapered
HTXG6DF S*	6BLD	32386-SK	32387-SK	23341	32391	32383-1	21049-1	21050-1	9111	2143	11039	Tapered
HTX6H S*	6BLD	32386-SK	32387-SK	23341	32391	32383-1	21049-1	21050-1	9111	2143	11039	Tapered
STH55J (splined)	6BLD	11980	11981	21212	12185	11991-1	21049-1	21050-1	9111	2143	11039	Splined
STX55J E**	6BLD	NA	NA	22578	12185	11991-1	21049-1	21050-1	9111	2143	11039	Tapered
STX55Y E**	6BLD	NA	NA	22578	12185	11991-1	21049-1	21050-1	9111	2143	11039	Tapered
STX55Y S*	6BLD	23344-1	23343-1	23441	12185	11991-1	21049-1	21050-1	9111	2143	11039	Tapered
STXD6I S*	6BLD	23344-1	23343-1	23341	12185	11991-1	21049-1	21050-1	9111	2143	11039	Tapered
STX6H S*	6BLD	23344-1	23343-1	23341	12185	11991-1	21049-1	21050-1	9111	2143	11039	Tapered

**MUST VERIFY DRIVE MOTOR, TO ENSURE PROPER SPIDER IS MATCHED! FOR SOME UNITS HAVE BEEN UPDATED FROM EATON TO SAUER DANFOSS.**

S\*= Sauer Danfoss E\*\*=Eaton