

# PARTS MANUAL



## **WHISPERWATT™ SERIES MODEL TLG8SSK4F2 PORTABLE GENERATOR (KUBOTA Z482-E4B-DGDE-4 DIESEL ENGINE)**

Revision #1 (10/11/23)

To find the latest revision of this publication or associated operation manual, visit our website at: [www.mqpower.com](http://www.mqpower.com)



THIS MANUAL MUST ACCOMPANY THE EQUIPMENT AT ALL TIMES.

**TLG8SSK4F2**

**Portable Generator**

Explanation Of Code In Remarks Column..... 4  
Suggested Spare Parts ..... 5

**Component Drawings**

Generator Assembly ..... 6–7  
Control Panel Assembly ..... 8–9  
Electric Parts Assembly ..... 10–13  
Engine And Radiator Assembly ..... 14–17  
Battery Assembly ..... 18–19  
Muffler Assembly ..... 20–21  
Fuel Tank Assembly ..... 22–23  
Enclosure Assembly ..... 24–27  
Rubber Seals Assembly ..... 28–29  
Nameplate And Decals Assembly ..... 30–31

**NOTICE**  
Specifications and part numbers are subject to change without notice.



# EXPLANATION OF CODE IN REMARKS COLUMN

The following section explains the different symbols and remarks used in the Parts section of this manual. Use the help numbers found on the back page of the manual if there are any questions.

## NOTICE

The contents and part numbers listed in the parts section are subject to change without notice. Multiquip does not guarantee the availability of the parts listed.

## SAMPLE PARTS LIST

NO.	PART NO.	PART NAME	QTY.	REMARKS
1	12345	BOLT .....	1	INCLUDES ITEMS W/%
2%		WASHER, 1/4 IN. ....		NOT SOLD SEPARATELY
2%	12347	WASHER, 3/8 IN. ...	1	MQ-45T ONLY
3	12348	HOSE .....	A/R	MAKE LOCALLY
4	12349	BEARING .....	1	S/N 2345B AND ABOVE

## NO. Column

**Unique Symbols** — All items with same unique symbol (@, #, +, %, or >) in the number column belong to the same assembly or kit, which is indicated by a note in the “Remarks” column.

**Duplicate Item Numbers** — Duplicate numbers indicate multiple part numbers, which are in effect for the same general item, such as different size saw blade guards in use or a part that has been updated on newer versions of the same machine.

## NOTICE

When ordering a part that has more than one item number listed, check the remarks column for help in determining the proper part to order.

## PART NO. Column

**Numbers Used** — Part numbers can be indicated by a number, a blank entry, or TBD.

TBD (To Be Determined) is generally used to show a part that has not been assigned a formal part number at the time of publication.

A blank entry generally indicates that the item is not sold separately or is not sold by Multiquip. Other entries will be clarified in the “Remarks” Column.

## QTY. Column

**Numbers Used** — Item quantity can be indicated by a number, a blank entry, or A/R.

A/R (As Required) is generally used for hoses or other parts that are sold in bulk and cut to length.

A blank entry generally indicates that the item is not sold separately. Other entries will be clarified in the “Remarks” Column.

## REMARKS Column

Some of the most common notes found in the “Remarks” Column are listed below. Other additional notes needed to describe the item can also be shown.

**Assembly/Kit** — All items on the parts list with the same unique symbol will be included when this item is purchased.

Indicated by:

“INCLUDES ITEMS W/(unique symbol)”

**Serial Number Break** — Used to list an effective serial number range where a particular part is used.

Indicated by:

“S/N XXXXX AND BELOW”

“S/N XXXX AND ABOVE”

“S/N XXXX TO S/N XXX”

**Specific Model Number Use** — Indicates that the part is used only with the specific model number or model number variant listed. It can also be used to show a part is NOT used on a specific model or model number variant.

Indicated by:

“XXXXX ONLY”

“NOT USED ON XXXX”

**“Make/Obtain Locally”** — Indicates that the part can be purchased at any hardware shop or made out of available items. Examples include battery cables, shims, and certain washers and nuts.

**“Not Sold Separately”** — Indicates that an item cannot be purchased as a separate item and is either part of an assembly/kit that can be purchased, or is not available for sale through Multiquip.

## SUGGESTED SPARE PARTS

### TLG88SSK42 60 Hz GENERATOR

1 to 3 units

Qty.	P/N	Description
1	0810105800	FUEL CAP
5	1T02143560	FUEL FILTER
5	0810105900	FUEL STRAINER (TANK)
1	1628663602	STARTER SWITCH
5	3741055150	KEY
1	0601842347	RESISTOR, 20W 30Ω
1	1584464603	REGULATOR
1	Y0601872601	CIRCUIT BREAKER, 3P 20A
1	0601808803	CIRCUIT BREAKER, 1P 20A
1	0601810523	INDICATOR ASSY.
3	0601810830	BULB
3	0601806642	FUSE, 5A
3	0601806643	FUSE, 15A
3	0601806644	FUSE, 30A
3	0601806640	FUSE, 65A

#### NOTICE

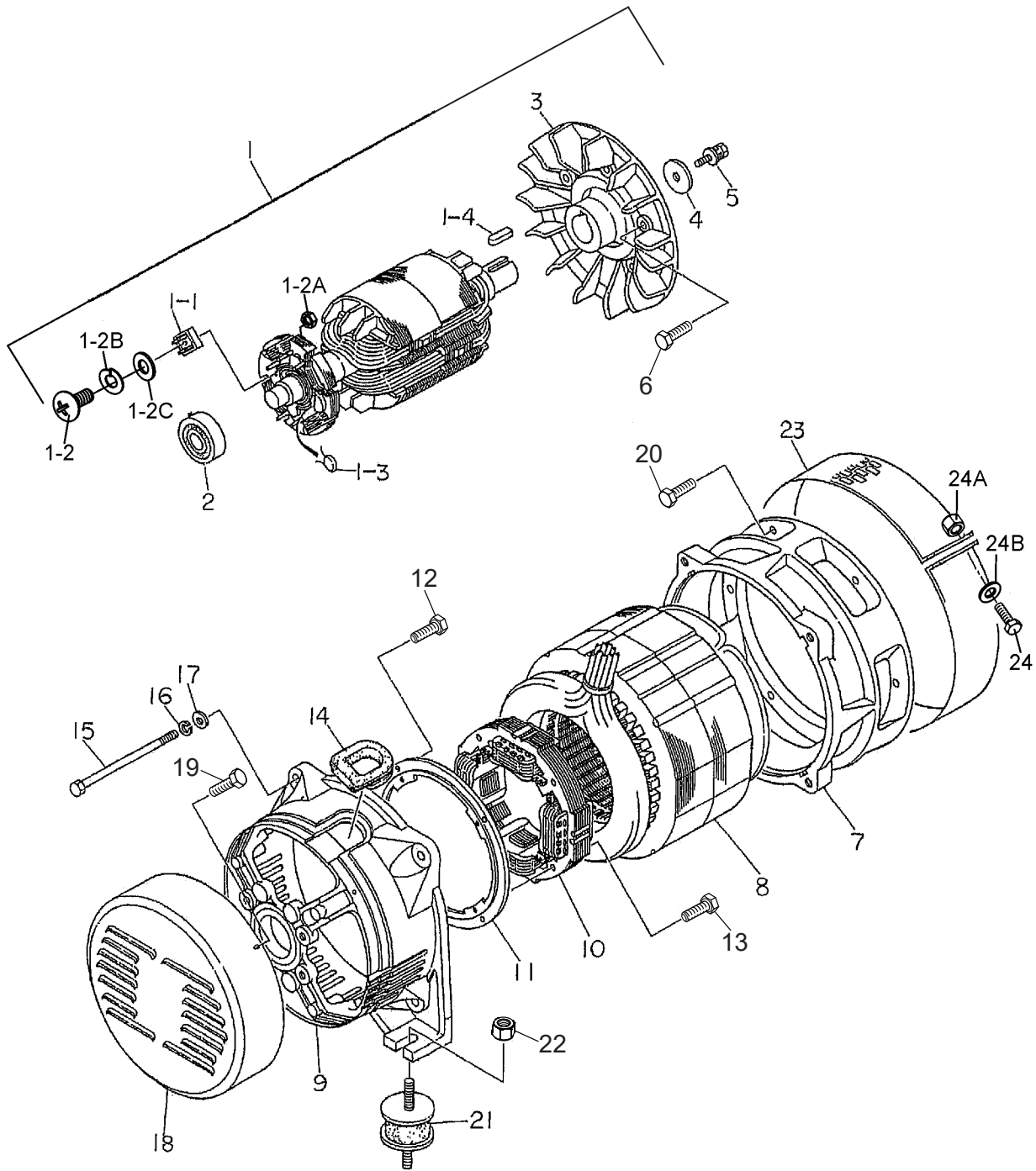
Part numbers on this Suggested Spare Parts list may supersede/replace the part numbers shown in the following parts lists.

### KUBOTA Z482-E4B DIESEL ENGINE

1 to 3 units

Qty.	P/N	Description
5	1556211010	AIR FILTER
5	7000011221	AIR FILTER, ELEMENT
2	1980572530	FAN BELT
1	1522139013	OIL SENSING UNIT
1	A5311500404	RADIATOR HOSE (UPPER)
1	A5311500203	RADIATOR HOSE (LOWER)
4	1G67965512	GLOW PLUG
2	1753883040	SWITCH, THERMOSTAT

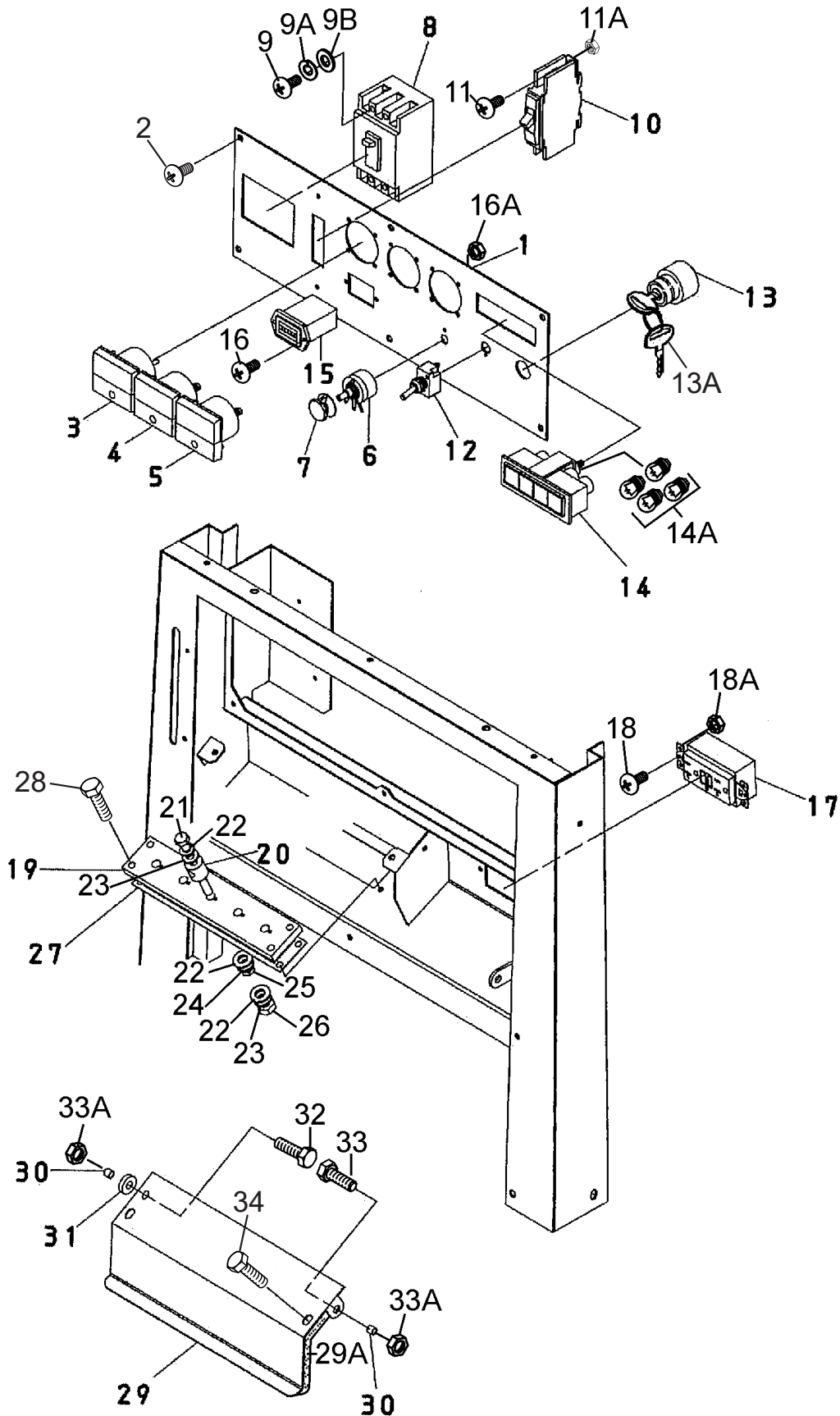
# GENERATOR ASSY.



# GENERATOR ASSY.

<u>NO.</u>	<u>PART NO.</u>	<u>PART NAME</u>	<u>QTY.</u>	<u>REMARKS</u>
1	W8541000113	ROTOR ASSY.....	1.....	INCLUDES ITEMS W/#
1-1#	0601820037	RECTIFIER	1	
1-2#	D4117400104	MACHINE SCREW	1	
1-2A#	0207003000	HEX. NUT .....	1.....	REPLACES P/N 0030003000
1-2B#	0040003000	WASHER, LOCK	1	
1-2C#	0041203000	WASHER, FLAT	1	
1-3#	0601822638	SURGE ABSORBER .....	1.....	S/N 5890018 AND BELOW
1-3#	0601822692	SURGE ABSORBER .....	1.....	S/N 5890019 AND ABOVE
1-4#	0171707033	KEY	1	
2#	0071206304	BEARING	1	
3#	W1991070022	FAN	1	
4#	1991072004	SET WASHER, FAN	1	
5#	0012308020	HEX. HEAD BOLT	1	
6	011208025	HEX. HEAD BOLT.....	5.....	REPLACES P/N 0012308025
7	W1991315122	END BRACKET	1	
8	A6315000803	ARMATURE ASSY.	1	
9	W8541315412	END BRACKET	1	
10	W8541350013	FIELD ASSY. EXCITER	1	
11	D2155300003	SPACER	1	
12	011606025	HEX. HEAD BOLT.....	4.....	REPLACES P/N 0017106025
13	0017105035	HEX. HEAD BOLT	4	
14	1961324003	GROMMET	1	
15	D2131500204	SET BOLT	4	
16	0040010000	WASHER, LOCK	4	
17	031110160	WASHER, FLAT.....	4.....	REPLACES P/N 0041210000
18	W8541331103	COVER	1	
19	0011305100	HEX. HEAD BOLT.....	4.....	REPLACES P/N 0017105012
20	0012308020	HEX. HEAD BOLT	6	
21	7085419004	RUBBER SUSPENSION	2	
22	021112140	HEX. NUT .....	2.....	REPLACES P/N 0207010000
23	A6132300004	COVER	1	
24	0340406040	HEX. HEAD BOLT	1	
24A	020106050	HEX. NUT .....	1.....	REPLACES P/N 0037906000
24B	952404470	WASHER, FLAT .....	1.....	REPLACES P/N 0041206000

# CONTROL PANEL ASSY.

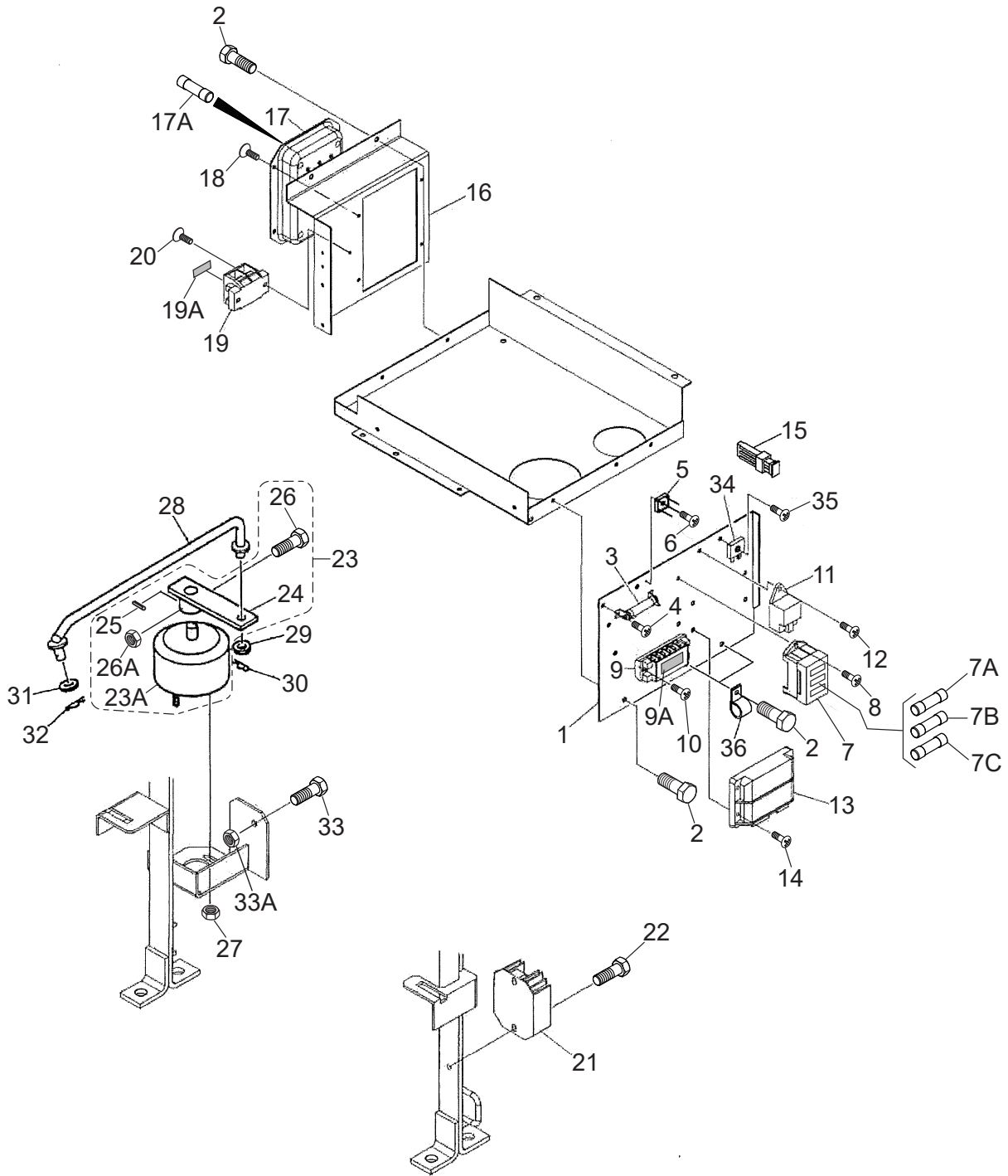




## CONTROL PANEL ASSY.

<u>NO.</u>	<u>PART NO.</u>	<u>PART NAME</u>	<u>QTY.</u>	<u>REMARKS</u>
1	A6511302602	CONTROL PANEL	1	
2	0021805012	MACHINE SCREW	6	
3	0601800455	FREQUENCY METER, 240V 45~65HZ	1	
4	Y0601805749	AC AMMETER, 0-30A	1	
5	0601800268	AC VOLTMETER, 0-300V	1	
6	0601840073	RHEOSTAT, VOLTAGE REG., 2W 1KΩ	1	
7	0601840100	KNOB.....	1	REPLACES P/N 0601840121
8	Y0601872601	CIRCUIT BREAKER, 3P 20 AMP	1	
9	0021004060	MACHINE SCREW	2	
9A	0040004000	WASHER, LOCK	2	
9B	58042	WASHER, FLAT.....	2	REPLACES P/N 0041204000
10	0601808803	CIRCUIT BREAKER, 1P 20 AMP	1	
11	0027404010	MACHINE SCREW	2	
11A	OEMAA8	HEX. NUT.....	2	REPLACES P/N 0207004000
12	0601830771	ENGINE SPEED SWITCH	1	
13	1628663602	STARTER SWITCH.....	1	REPLACES P/N 0602100077 INCLUDES ITEMS W/#
13A#	3741055150	KEY.....	1	REPLACES P/N 0602100225
14	0601810523	INDICATOR ASSY.....	1	INCLUDES ITEMS W%
14A%	0601810830	BULB	4	
15	0601800682	HOUR METER.....	1	S/N 5894461 AND BELOW
15	Y0601800674	HOUR METER.....	1	S/N 5894462 AND ABOVE
16	0027403010	MACHINE SCREW	2	
16A	0207003000	HEX. NUT	2	
17	Y0601814034	RECEPTACLE.....	1	REPLACES P/N 0601814024 S/N 5890018 AND BELOW
17	Y0601814034	RECEPTACLE.....	1	S/N 5890019 AND ABOVE
18	0027104015	MACHINE SCREW	2	
18A	OEMAA8	HEX. NUT.....	2	REPLACES P/N 0207004000
19	A6231700004	SET BOARD, OUTPUT TERMINAL	1	
20	7811861004	OUTPUT TERMINAL	5	
21	0801830604	HEX. HEAD BOLT	5	
22	0040008000	WASHER, LOCK	15	
23	0041408000	WASHER, FLAT	10	
24	0401450080	WASHER, FLAT.....	5	REPLACES P/N 0041208000
25	020108060	HEX. NUT.....	5	REPLACES P/N 0039508000
26	020108060	HEX. NUT.....	5	REPLACES P/N 0030008000
27	A6234500004	RUBBER SEAL	1	
28	011606025	HEX. HEAD BOLT.....	4	REPLACES P/N 0017106025
29	A6237100604	COVER, OUTPUT TERMINAL	1	
29A	A6237400304	RUBBER SHEET	1	
30	0821800014	COLLAR.....	2	REPLACES P/N W0821800014
31	D9311200004	RUBBER WASHER	2	
32	011206020	HEX. HEAD BOLT.....	1	REPLACES P/N 0016906020
33	011206020	HEX. HEAD BOLT.....	1	REPLACES P/N 0016906020
33A	Y0207606000	HEX. NUT	1	
34	011106015	HEX. HEAD BOLT.....	2	REPLACES P/N 0016906015

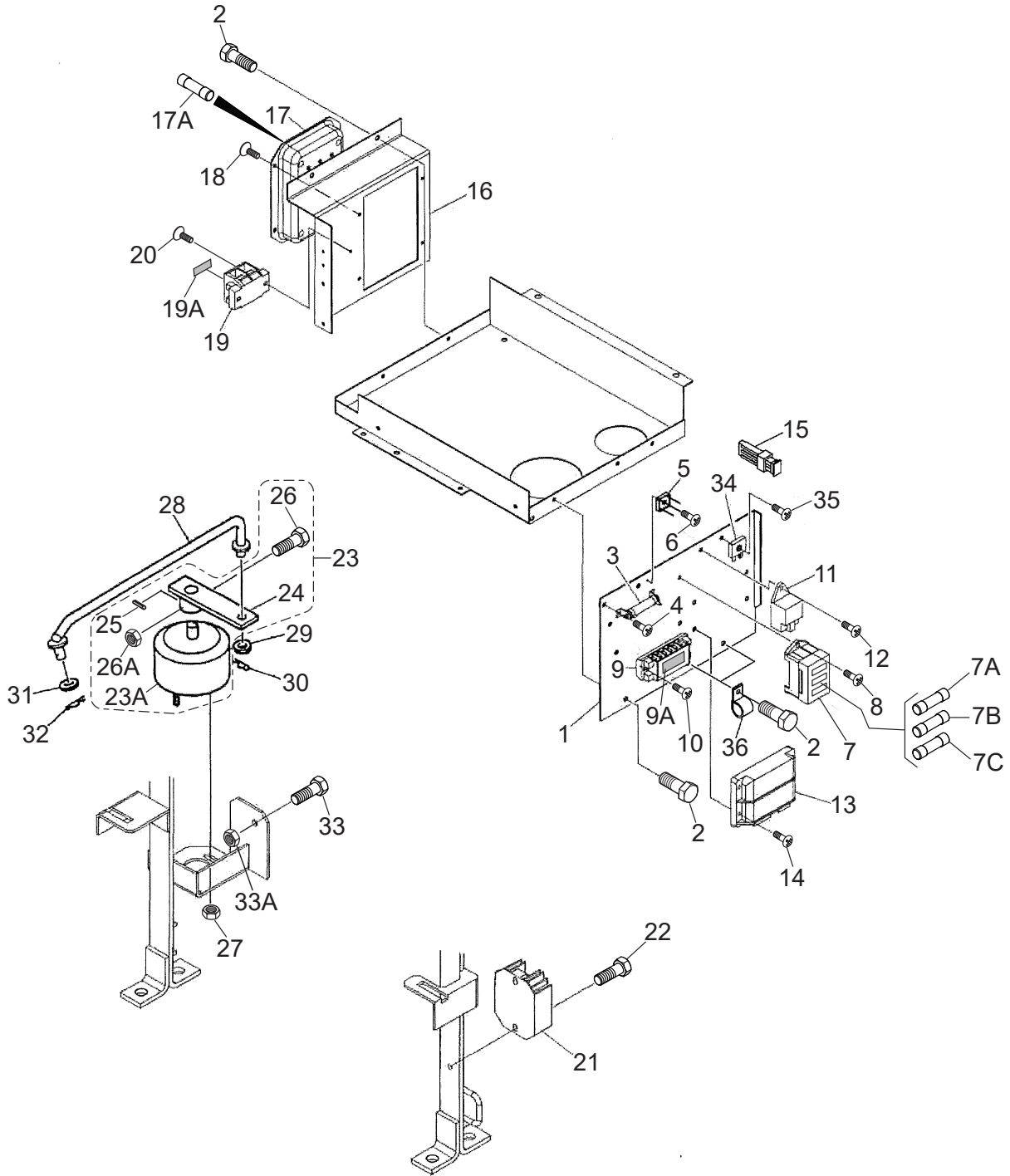
# ELECTRIC PARTS ASSY.



## ELECTRIC PARTS ASSY.

<u>NO.</u>	<u>PART NO.</u>	<u>PART NAME</u>	<u>QTY.</u>	<u>REMARKS</u>
1	A6261500813	BRACKET, ELECTRIC PARTS.....	1.....	S/N 5890018 AND BELOW
1	A6261500823	BRACKET, ELECTRIC PARTS.....	1.....	S/N 5890019 AND ABOVE
1A	0226900120	RUBBER SEAL	1	
2	011106015	HEX. HEAD BOLT.....	4.....	REPLACES P/N 0017106015 S/N 5890018 AND BELOW
2	011106015	HEX. HEAD BOLT.....	5.....	S/N 5890019 AND ABOVE
3	0601842347	RESISTOR, 20W 30Ω	1	
4	0027104012	MACHINE SCREW	2	
5	0601823204	RECTIFIER	1	
6	0027103020	MACHINE SCREW	1	
7	B0352500104	FUSE BOX.....	1.....	INCLUDES ITEMS W/#
7A#	0601806642	FUSE, 5A	4	
7B#	0601806643	FUSE, 15A	2	
7C#	0601806644	FUSE, 30A	2	
8	0027105020	MACHINE SCREW	2	
9	0601815759	TERMINAL BOARD	1	
9A	D9522000704	DECAL	1	
10	0027104020	MACHINE SCREW	2	
11	1569465990	TIMER.....	1.....	REPLACES P/N 0602201273
12	0027105015	MACHINE SCREW	1	
13	1747260604	EMERGENCY UNIT.....	1.....	REPLACES P/N 0602200475
14	0027105025	MACHINE SCREW	4	
15	0601806640	FUSE, 65A	2	
16	W8541833003	BRACKET, ELECTRIC PARTS	1	
17	0601820660	AUTOMATIC VOLTAGE REGULATOR.....	1.....	INCLUDES ITEMS W/%
17A%	0601806681	FUSE, 5A	1	
18	0027105015	MACHINE SCREW	4	
19	0601815779	TERMINAL BOARD	1	
19A	W8540613604	DECAL	1	
20	0027104020	MACHINE SCREW	2	
21	1584464603	REGULATOR.....	1.....	REPLACES P/N 0602201378
22	0017106035	HEX. HEAD BOLT	2	
23	W1992639003	SOLENOID ASSY. ....	1.....	INCLUDES ITEMS W/%
23A%	1622636103Z	ROTARY SOLENOID.....	1.....	REPLACES P/N 1620150404
24%	1992636004	ARM, SOLENOID	1	
25%	0050403020	SPRING PIN	1	
26%	011606025	HEX. HEAD BOLT.....	1.....	REPLACES P/N 0010106025
26A%	020106050	HEX. NUT .....	1.....	REPLACES P/N 0030006000
27	0023706000	HEX. NUT .....	2.....	REPLACES P/N 0207206000
28	A6355300304	GOVERNOR ROD	1	
29	031108160	WASHER, FLAT.....	1.....	REPLACES P/N 0041608000
30	0605010503	SNAP PIN	1	
31	0042806000	WASHER, FLAT	1	
32	505015300	SNAP PIN .....	1.....	REPLACES P/N 0605010502

# ELECTRIC PARTS ASSY. (CONT'D.)

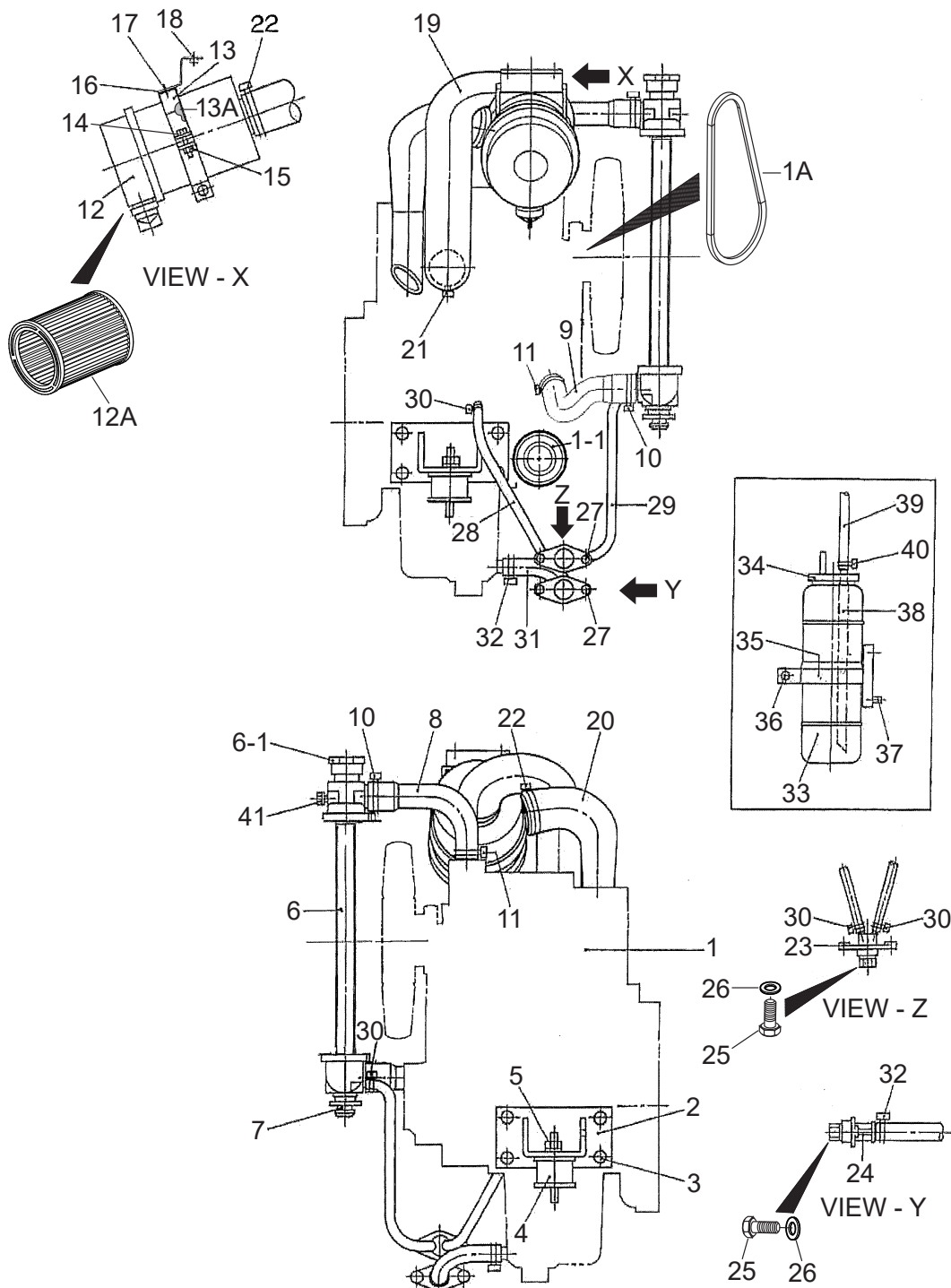


## ELECTRIC PARTS ASSY. (CONT'D.)

---

<u>NO.</u>	<u>PART NO.</u>	<u>PART NAME</u>	<u>QTY.</u>	<u>REMARKS</u>
33	0010108050	HEX HEAD BOLT	1	
33A	020108060	HEX. NUT .....	1.....	REPLACES P/N 0207008000
34	0601821370	RECTIFIER.....	1.....	REPLACES P/N 0601823240
35	0027104015	MACHINE SCREW	1	
36	0602220930	CLAMPER.....	2.....	S/N 5890019 AND ABOVE

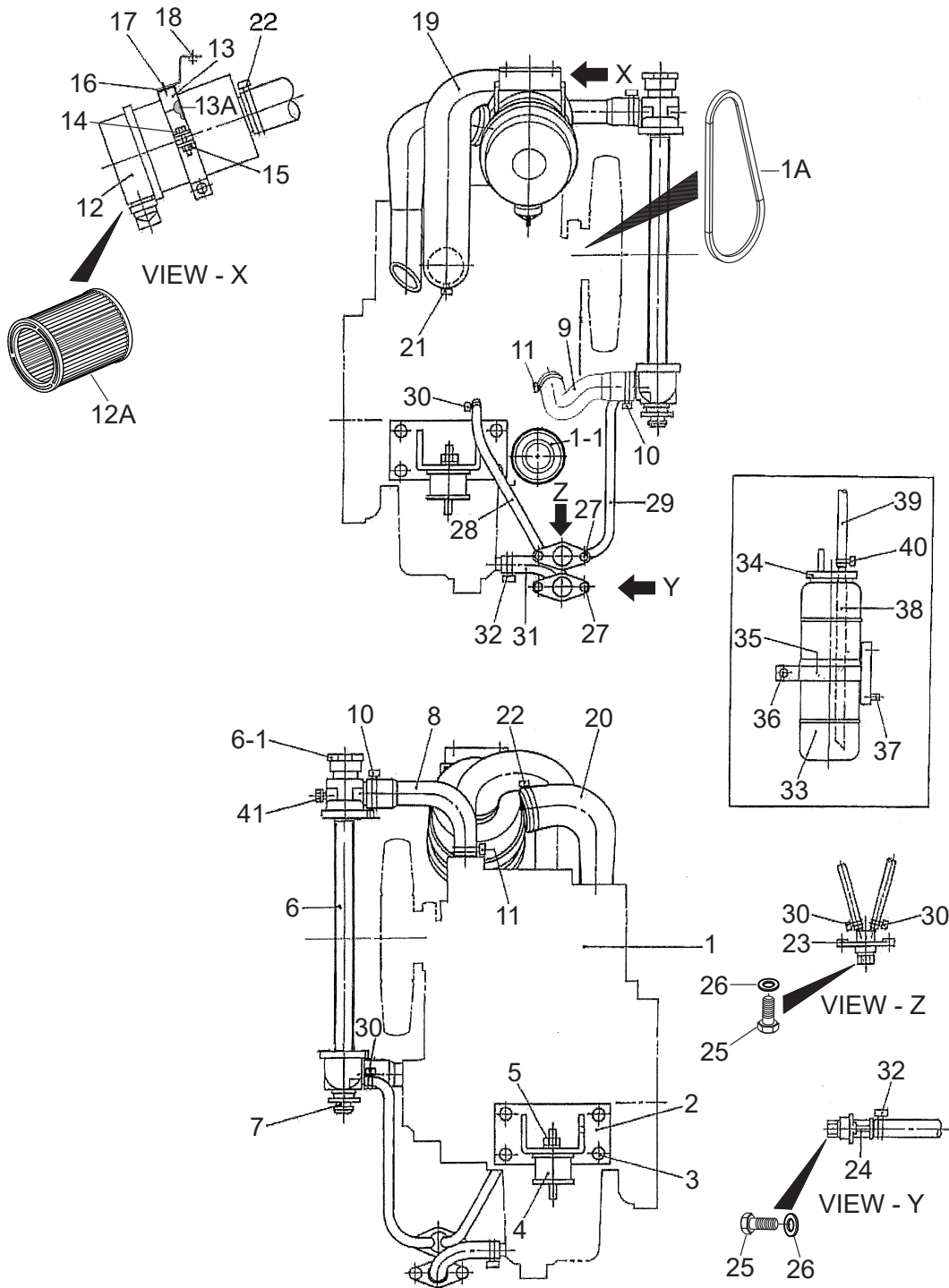
# ENGINE AND RADIATOR ASSY.



## ENGINE AND RADIATOR ASSY.

<u>NO.</u>	<u>PART NO.</u>	<u>PART NAME</u>	<u>QTY.</u>	<u>REMARKS</u>
1	A5924200174	ENGINE, KUBOTA Z482-E4B.....	1.....	INCLUDES ITEMS W/#
1-1#	1J09032430	CARTRIDGE, OIL FILTER.....	1.....	REPLACES P/N Y0602041299
1A#	1980572530	FAN BELT.....	1.....	REPLACES P/N 0602011477
2	8745112003A	ENGINE FOOT.....	2.....	REPLACES P/N 8745112003
3	Y0341110020	HEX. HEAD BOLT	8	
4	7085419004	RUBBER SUSPENSION	2	
5	021112140	HEX. NUT.....	2.....	REPLACES P/N 0207010000
6	0602012795	RADIATOR.....	1.....	INCLUDES ITEMS W/%
6-1%	0602011079	CAP, RADIATOR	1	
7	B1312600004	MOUNT RUBBER	2	
8	A5311500404	RADIATOR HOSE (UPPER)	1	
9	A5311500203	RADIATOR HOSE (LOWER)	1	
10	0605515134	HOSE BAND	2	
11	0605515159	HOSE BAND	2	
12	1556211010	AIR CLEANER.....	1.....	INCLUDES ITEMS W/\$
				REPLACES P/N 0602046265
12A\$	7000011221	ELEMENT, AIR CLEANER.....	1.....	REPLACES P/N 0602046374
13	3415013960	BAND, AIR CLEANER.....	1.....	REPLACES P/N 0602040575
13A	0222600340	RUBBER CUSHION	1	
14	011208030	HEX. HEAD BOLT.....	1.....	REPLACES P/N 0016908030
15	020108060	HEX, NUT.....	1.....	REPLACES P/N 0207008000
16	8742031004	BRACKET, AIR CLEANER	1	
17	011008020	HEX. HEAD BOLT.....	2.....	REPLACES P/N 0016908020
18	011106015	HEX. HEAD BOLT.....	2.....	REPLACES P/N 0016906015
19	8742032003A	HOSE, AIR CLEANER.....	1.....	REPLACES P/N 8742032003
20	1612036203	HOSE, AIR CLEANER	1	
21	0605515006	HOSE BAND	1	
22	Y0605515115	HOSE BAND	2	
23	1622014103	DRAIN JOINT, WATER	1	
24	1502025103C	DRAIN JOINT, OIL.....	1.....	REPLACES P/N 1502025103
25	0802011104	PLUG	2	
26	0150000018	O-RING	2	
27	011106015	HEX. HEAD BOLT.....	4.....	REPLACES P/N 0016906015
28	0199900500	DRAIN HOSE	1	
29	0199900500	DRAIN HOSE	1	
30	0605515094	HOSE BAND	4	
31	A5321100204	DRAIN HOSE	1	
32	0605515132	HOSE BAND	2	
33	0802081403	RESERVE TANK	1	
34	0802081104	CAP, RESERVE TANK	1	
35	W1622082004	BRACKET, RESERVE TANK	1	
36	011606025	HEX. HEAD BOLT.....	1.....	REPLACES P/N 0016906025
37	011106015	HEX. HEAD BOLT.....	2.....	REPLACES P/N 0016906015

# ENGINE AND RADIATOR ASSY. (CONT'D.)



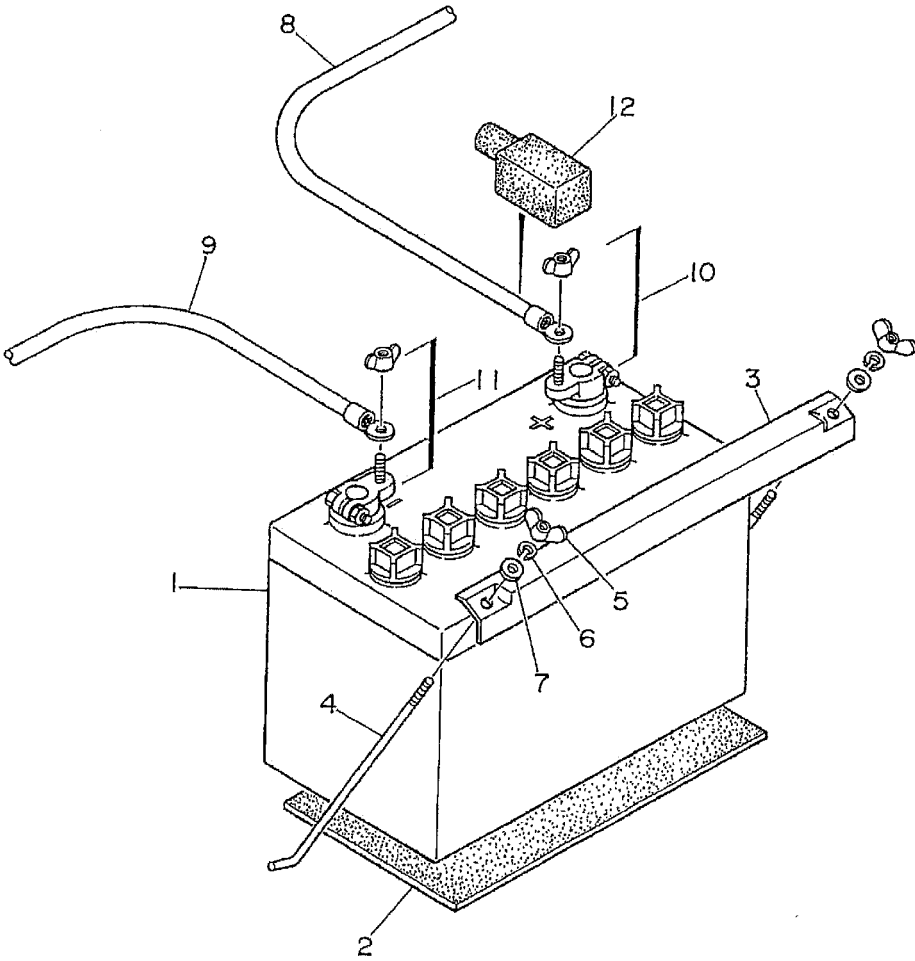


## ENGINE AND RADIATOR ASSY. (CONT'D.)

---

<u>NO.</u>	<u>PART NO.</u>	<u>PART NAME</u>	<u>QTY.</u>	<u>REMARKS</u>
38	0199100215	HOSE	1	
39	0199900420	HOSE	1	
40	0605515094	HOSE BAND	2	
41	Y0016906035	HEX. HEAD BOLT	2	
41A	Y0047006020	WASHER	2	

**BATTERY ASSY.**

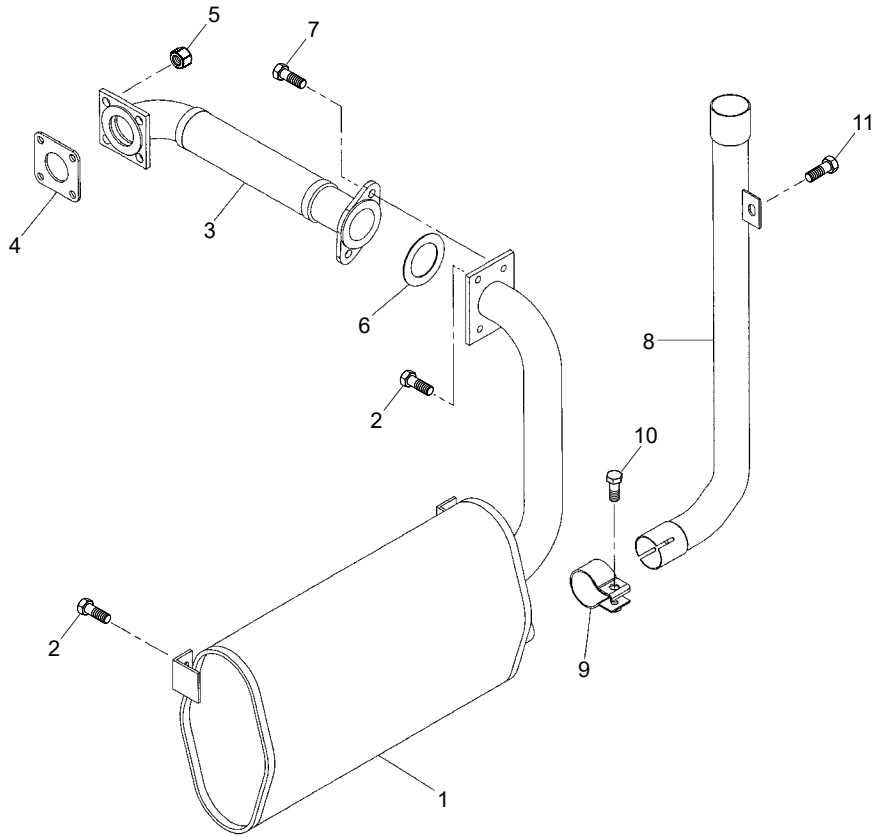


## BATTERY ASSY.

---

<u>NO.</u>	<u>PART NO.</u>	<u>PART NAME</u>	<u>QTY.</u>	<u>REMARKS</u>
1	Y0165103820	BATTERY	1	
2	0805081004	BATTERY SHEET .....	1.....	REPLACES P/N 1702202104
3	W1702204104	BATTERY BAND	1	
4	0805082704	BATTERY BOLT	2	
5	0037806000	WING NUT	2	
6	0040006000	WASHER, LOCK	2	
7	952404470	WASHER, FLAT .....	2.....	REPLACES P/N 0041606000
8		BATTERY CABLE .....	1.....	PURCHASE LOCALLY
9		BATTERY CABLE .....	1.....	PURCHASE LOCALLY
10	0602220312	TERMINAL ASSY., POSITIVE	1	
11	0602220313	TERMINAL ASSY., NEGATIVE	1	
12	0845040414	TERMINAL CAP .....	1.....	REPLACES P/N 0602220600

# MUFFLER ASSY.

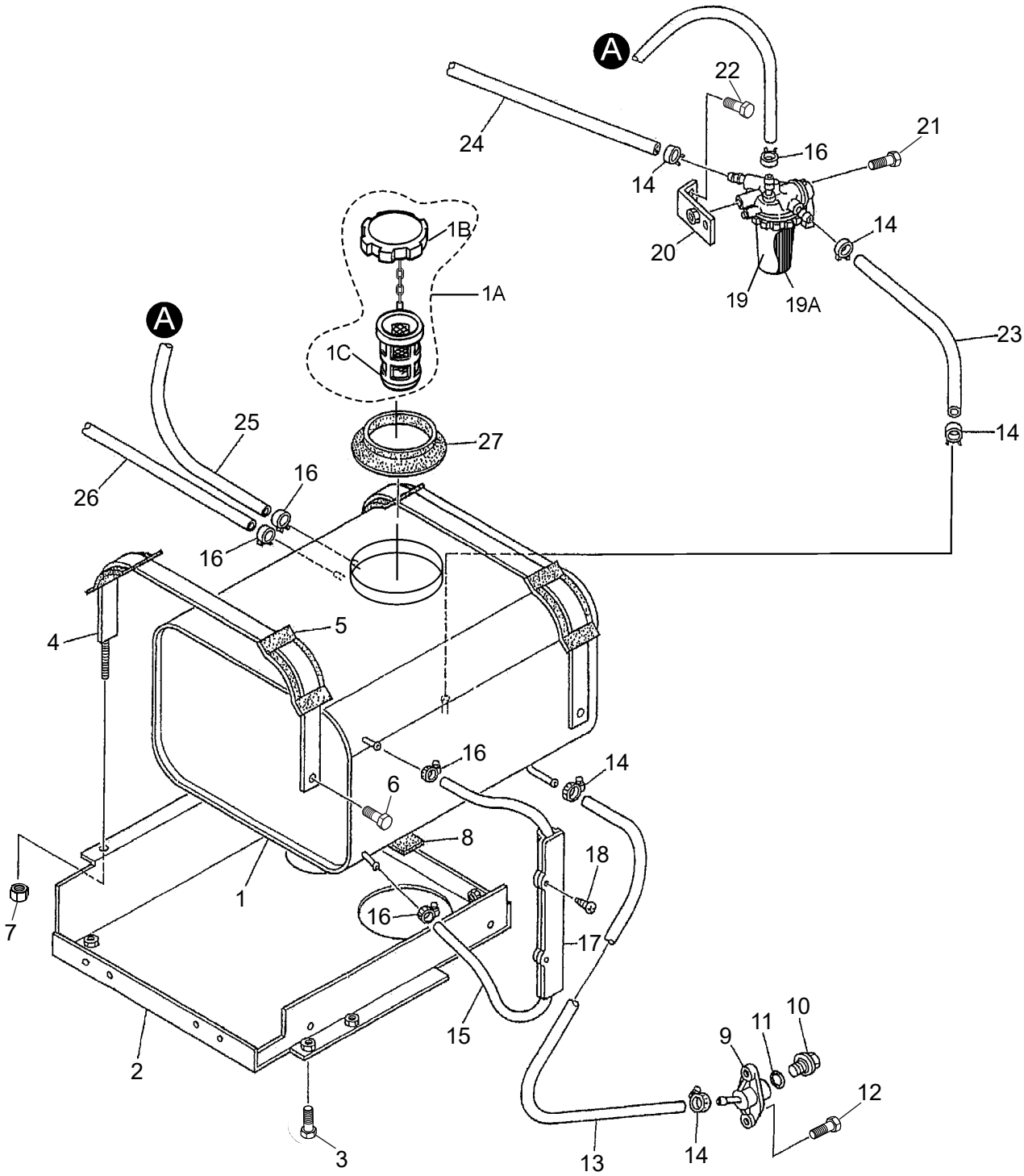


## MUFFLER ASSY.

---

<u>NO.</u>	<u>PART NO.</u>	<u>PART NAME</u>	<u>QTY.</u>	<u>REMARKS</u>
1	A6331001003	MUFFLER	1	
2	011008020	HEX. HEAD BOLT.....	5.....	REPLACES P/N 0016908020
3	A6334000703	EXHAUST PIPE	1	
4	1526312371	GASKET .....	1.....	REPLACES P/N 0602320153
5	Y0207008000	HEX. NUT	4	
6	D9304000004	GASKET	1	
7	0012108035	HEX. HEAD BOLT.....	2.....	REPLACES P/N 0016908035
8	A5334101204	TAIL PIPE	1	
9	D9101200004	PIPE BAND	1	
10	0016908040	HEX. HEAD BOLT	1	
11	0016906015	HEX. HEAD BOLT	1	

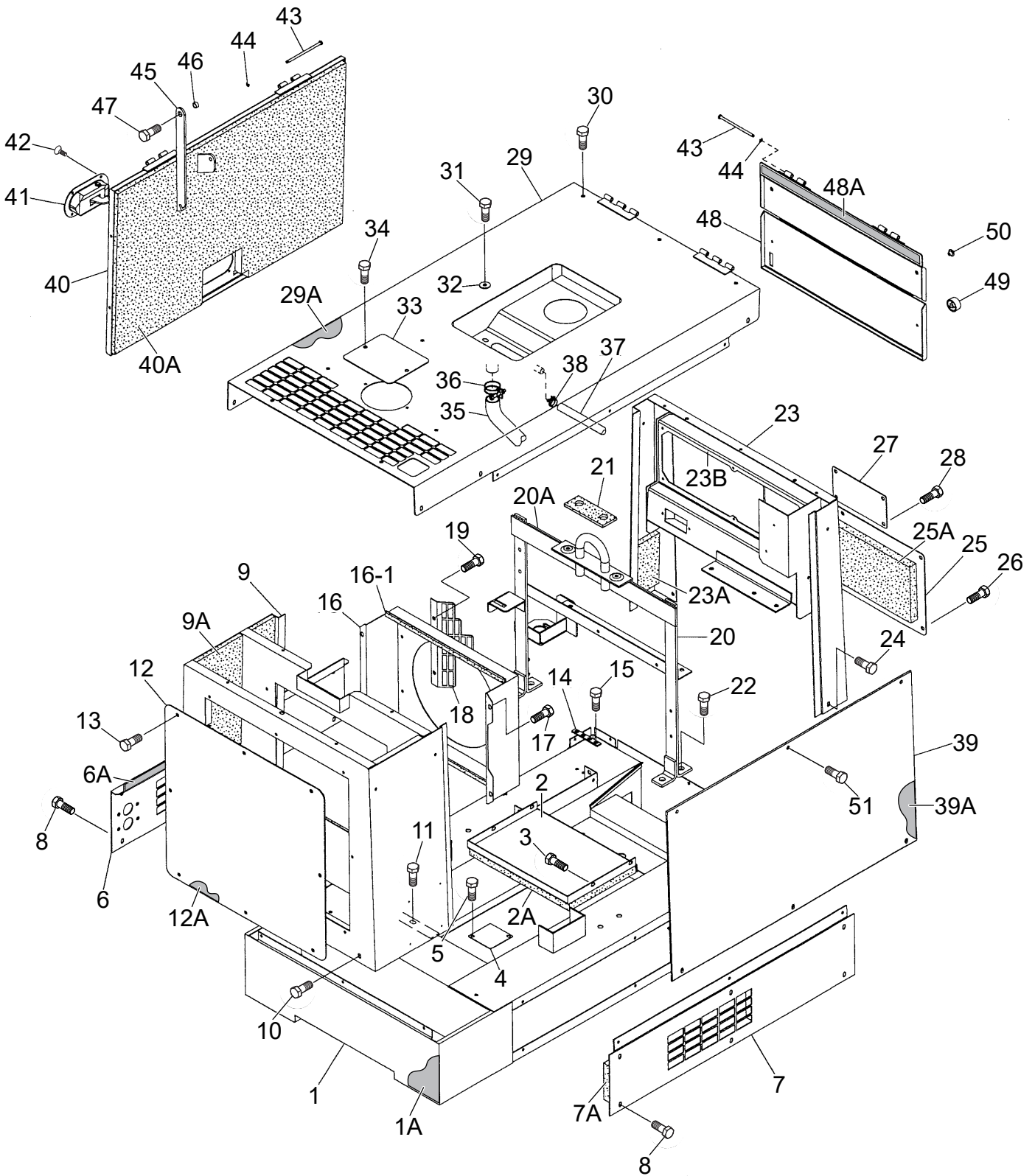
# FUEL TANK ASSY.



## FUEL TANK ASSY.

<u>NO.</u>	<u>PART NO.</u>	<u>PART NAME</u>	<u>QTY.</u>	<u>REMARKS</u>
1	W8545500003	FUEL TANK	1	
1A	A9924800024	CAP ASSY., FUEL TANK .....	1	INCLUDES ITEMS W/#
1B#	0810105800	CAP, FUEL TANK	1	
1C#	0810105900	FUEL STRAINER	1	
2	W8545525003	BRACKET, FUEL TANK .....	1	S/N 5890018 AND BELOW
2	W8545525013	BRACKET, FUEL TANK .....	1	S/N 5890019 AND ABOVE
3	011008020	HEX. HEAD BOLT.....	4	REPLACES P/N 0016908020
4	W8545512004	TANK BAND	2	
5	D6365300504	PAD, TANK BAND	4	
6	0016906012	HEX. HEAD BOLT	2	
7	0207308000	HEX. NUT	2	
8	Y0222100310	TANK SHEET	2	
9	7812014003	DRAIN JOINT	1	
10	0802011104	PLUG	1	
11	0150000018	O-RING	1	
12	011106015	HEX. HEAD BOLT.....	2	REPLACES P/N 0016906015
13	Y0370600650	DRAIN HOSE	1	
14	0605515094	HOSE BAND	6	
15	Y0264200550	HOSE, FUEL GAUGE	1	
16	0605515200	HOSE BAND	6	
17	7815511203	BRACKET, FUEL GAUGE	1	
18	Y0029804012	MACHINE SCREW	2	
19	1553143012	FUEL FILTER.....	1	REPLACES P/N 0602042460 INCLUDES ITEMS W/%
19A%	1T02143560	ELEMENT, FUEL FILTER .....	1	REPLACES P/N 0602042171
20	W8745515004	BRACKET, FUEL FILTER	1	
21	0017108065	HEX. HEAD BOLT	1	
22	011008020	HEX. HEAD BOLT.....	1	REPLACES P/N 0017108020
23	0370600160	SUCTION HOSE	1	
24	0370600400	SUCTION HOSE	1	
25	0370700220	RETURN HOSE	1	
26	0370700160	RETURN HOSE	1	
27	B9312400004	RUBBER SEAL	1	

# ENCLOSURE ASSY.

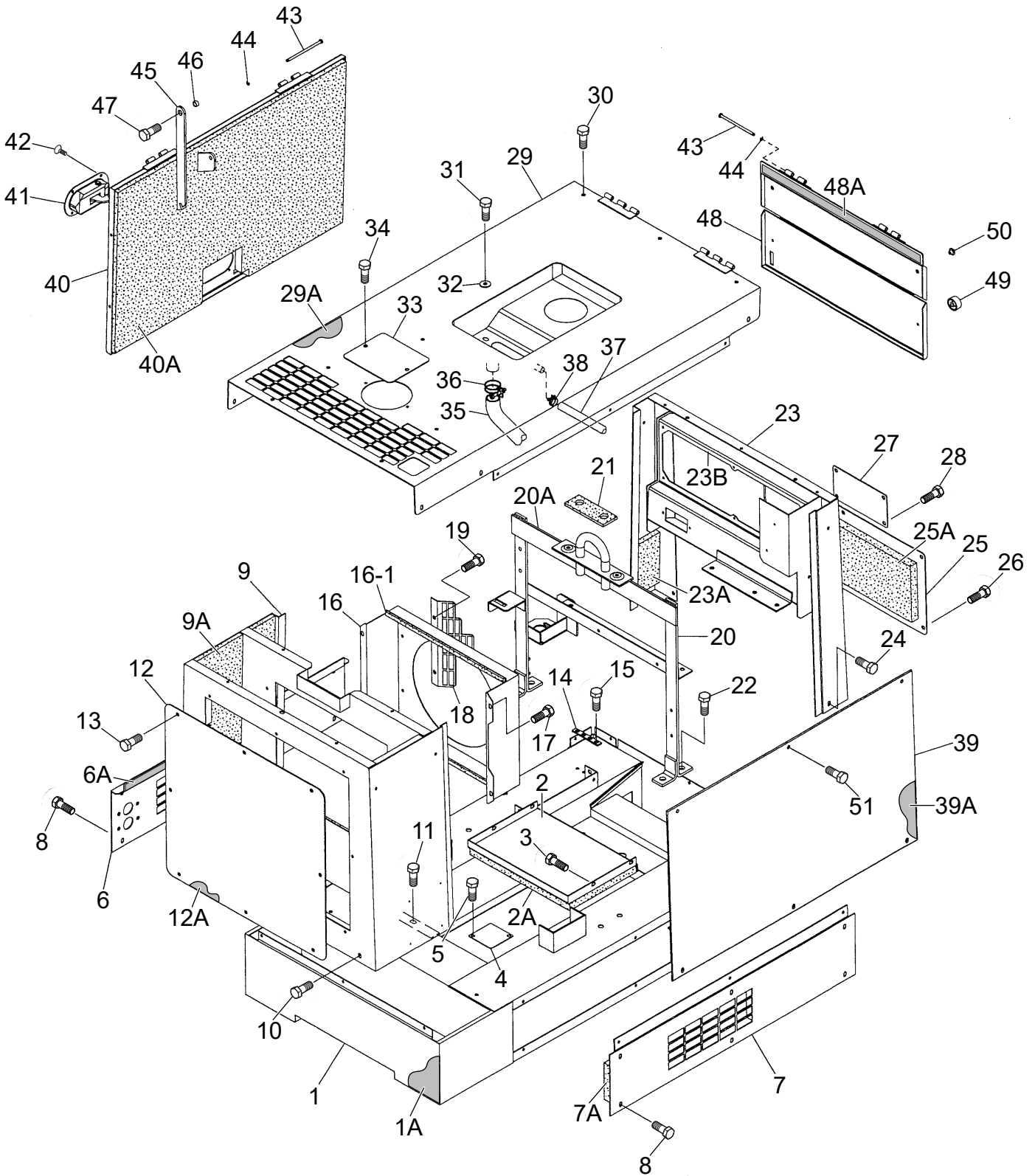




# ENCLOSURE ASSY.

<u>NO.</u>	<u>PART NO.</u>	<u>PART NAME</u>	<u>QTY.</u>	<u>REMARKS</u>
1	A6414002102	BASE	1	
1A	A6494001003	LINING	1	
2	A6414600004	DUCT	1	
2A	A6494000304	LINING	1	
3	011106015	HEX. HEAD BOLT.....	4	REPLACES P/N 0016906015
4	D3414800104	COVER	1	
5	011106015	HEX. HEAD BOLT.....	2	REPLACES P/N 0016906015
6	A6454200403	SPLASHER PANEL	1	
6A	A6494000204	LINING	1	
7	A6414400103	SPLASHER PANEL	1	
7A	A6494000204	LINING	1	
8	011106015	HEX. HEAD BOLT.....	12	REPLACES P/N 0016906015
9	A6424001202	FRONT FRAME	1	
9A	A6494101603	LINING	1	
10	011106015	HEX. HEAD BOLT.....	3	REPLACES P/N 0016906015
11	011008020	HEX. HEAD BOLT.....	2	REPLACES P/N 0017108020
12	A5424100004	FRONT PANEL	1	
12A	A6494101504	LINING	1	
13	011206020	HEX. HEAD BOLT.....	8	REPLACES P/N 0016906020
14	B1262800004A	PLATE.....	1	REPLACES P/N B1262800004
15	011106015	HEX. HEAD BOLT.....	4	REPLACES P/N 0017106015
16	A6311300803	FAN SHROUD	1	
16-1	Y0315500375	RUBBER SEAL	4	
17	011106015	HEX. HEAD BOLT.....	4	REPLACES P/N 0016906015
18	A6311200513	FAN GUARD	1	
19	011106015	HEX. HEAD BOLT.....	2	REPLACES P/N 0016906015
20	A6434300802	HANGER	1	
20A	0226900200	RUBBER SEAL	1	
21	7835132314A	RUBBER SEAL.....	1	REPLACES P/N 7835132314
22	0012312030	HEX. HEAD BOLT	4	
23	A6444002002	REAR FRAME	1	
23A	A6494300104	LINING	1	
23B	Y0226900035	RUBBER SEAL	1	
24	011106015	HEX. HEAD BOLT.....	2	REPLACES P/N 0016906015
25	A6444301304	COVER, REAR FRAME	1	
25A	A6494301104	LINING	1	
26	011106015	HEX. HEAD BOLT.....	6	REPLACES P/N 0016906015
27	A6444800104	COVER	1	
28	011106015	HEX. HEAD BOLT.....	4	REPLACES P/N 0016906015
29	A6464001202	ROOF PANEL	1	
29A	A6494500604	LINING	1	
30	011106015	HEX. HEAD BOLT.....	12	REPLACES P/N 0016906015
31	Y0340608020	HEX. HEAD BOLT	2	
32	0801086004	SET WASHER	2	
33	8432081004	FILLER COVER	1	
34	011106015	HEX. HEAD BOLT.....	4	REPLACES P/N 0016906015

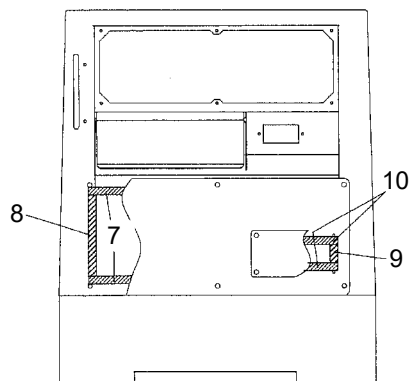
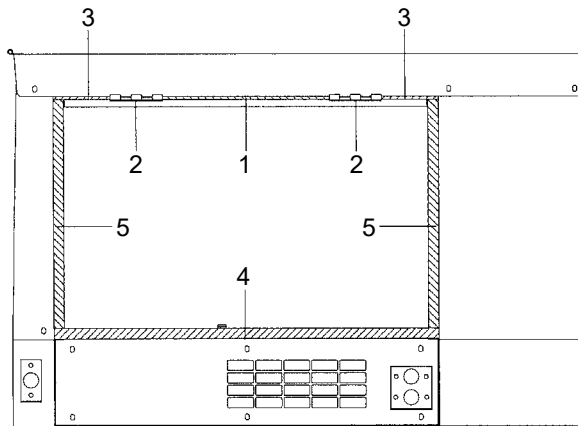
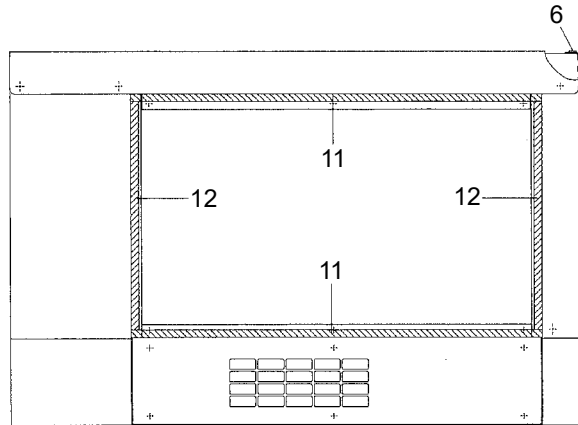
# ENCLOSURE ASSY. (CONT'D.)



## ENCLOSURE ASSY. (CONT'D.)

<u>NO.</u>	<u>PART NO.</u>	<u>PART NAME</u>	<u>QTY.</u>	<u>REMARKS</u>
35	A6464500103	HOSE	1	
36	0605515159	HOSE BAND	1	
37	Y0264500780	HOSE	1	
38	Y0605515169	HOSE BAND	1	
39	A6454100203	SIDE PANEL	1	
39A	A6494400204	LINING.....	1	S/N 5815367 AND BELOW
39A	A6494401304	LINING.....	1	S/N 5815368 AND ABOVE
40	A6454000303	SIDE DOOR	1	
40A	A6494400204	LINING	1	
41	0605010215	DOOR HANDLE	1	
42	0021805012	MACHINE SCREW	4	
43	0810014704	PIN	4	
44	0080200004	SNAP RING	4	
45	1995186004	DOOR STAY	1	
46	7835088004	COLLAR	1	
47	011208025	HEX. HEAD BOLT.....	2	REPLACES P/N 0016908025
48	A6444200103	REAR DOOR	1	
48A	Y0226900505	RUBBER SEAL	1	
49	0601851613	STOPPER	2	
50	0601851660	STOPPER	2	
51	011206020	HEX. HEAD BOLT.....	6	REPLACES P/N 0016906020

# RUBBER SEALS ASSY.

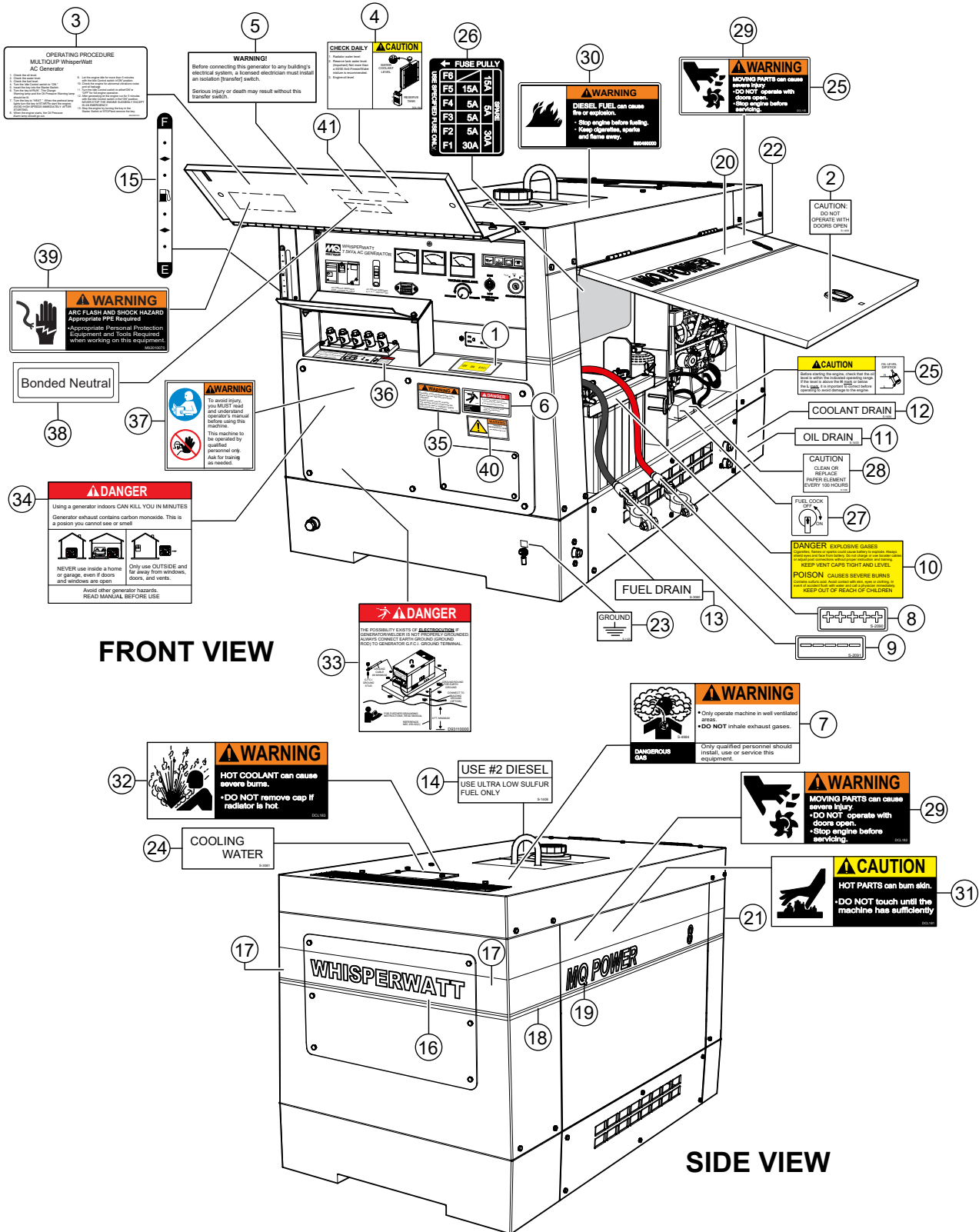


## **RUBBER SEALS ASSY.**

---

<u>NO.</u>	<u>PART NO.</u>	<u>PART NAME</u>	<u>QTY.</u>	<u>REMARKS</u>
1	Y0221200320	RUBBER SEAL	1	
2	0222600100	RUBBER SEAL	2	
3	0221200110	RUBBER SEAL	2	
4	0221200740	RUBBER SEAL	1	
5	Y0221200445	RUBBER SEAL	2	
6	Y0314900580	RUBBER SEAL	1	
7	Y0314900495	RUBBER SEAL	2	
8	Y0314900160	RUBBER SEAL	2	
9	Y0314900035	RUBBER SEAL	2	
10	Y0314900165	RUBBER SEAL	2	
11	Y0314900788	RUBBER SEAL	2	
12	Y0314900440	RUBBER SEAL	2	

# NAMEPLATE AND DECALS ASSY.



## NAMEPLATE AND DECALS ASSY.

<u>NO.</u>	<u>PART NO.</u>	<u>PART NAME</u>	<u>QTY.</u>	<u>REMARKS</u>
1	A6551001004	DECAL: AC POWER OUTPUT .....	1.....	A65100100
2	1630610504	DECAL: CAUTION.....	1.....	S-1409
3	A6551001103	DECAL: OPERATING PROCEDURE .....	1.....	A65100110
4	6390671104	DECAL: IMPORTANT "CHECK DAILY" .....	1.....	S-2377
5	W0820610404	DECAL: WARNING.....	1.....	S-3637
6	8700611904	DECAL: DANGER ELECT. SHOCK HAZARD ...	1.....	S-4985
7	D9504200204	DECAL: WARNING DANGEROUS GAS .....	1.....	D90420020
8	W0600689404	DECAL: + .....	1.....	S-2090
9	W0600689504	DECAL: - .....	1.....	S-2091
10	W0820650604	DECAL: DANGER EXPLOSIVE GASES	1	
11	1630645004	DECAL: OIL DRAIN .....	1.....	S-1403
12	1630647004	DECAL: COOLANT DRAIN .....	1.....	S-1404
13	7810680104	DECAL: FUEL DRAIN.....	1.....	S-3060
14	B9504501214	DECAL: DIESEL FUEL .....	1.....	B90450121
15	W8720615204	DECAL: FUEL GAUGE .....	1.....	S-4704A
16	A5561100503	DECAL: STRIPE WHISPERWATT	1	
17	A6561100204	DECAL: STRIPE	2	
18	A6561100304	DECAL: STRIPE	1	
19	A6561100403	DECAL: STRIPE MQ POWER 8	1	
20	A6561100603	DECAL: STRIPE MQ POWER 8	1	
21	A6561100504	DECAL: STRIPE	2	
22	A6561100704	DECAL: STRIPE	1	
23	W0600628504	DECAL: GROUND .....	1.....	S-1123
24	7810680204	DECAL: COOLING WATER.....	1.....	S-3061
25	B9505000304	DECAL: CAUTION OIL LEVEL GAUGE .....	1.....	B90500030
26	8700625504	DECAL: FUSE BOX.....	1.....	S-4936
27	1630680104	DECAL: FUEL COCK.....	1.....	S-1407
28	1630610404	DECAL: CAUTION.....	1.....	S-1406
29	B9504000404	DECAL: WARNING MOVING PARTS .....	2.....	B90400040
30	B9504500004	DECAL: WARNING DIESEL FUEL .....	1.....	B90450000
31	B9504000304	DECAL: CAUTION HOT PARTS.....	1.....	B90400030
32	B9504100104	DECAL: WARNING HOT COOLANT.....	1.....	B90410010
33	D9531100004	DECAL: DANGER ELECTROCUTION.....	1.....	D93110000
34	A9504000014	DECAL: DANGER.....	1.....	A90400001
35	920214100	DECAL: WARNING START FIRES.....	1.....	REPLACES P/N M9504200004 M90420000
36	A9521201003	DECAL: 3-PHASE AC OUTPUT TERMINAL ....	1.....	A92120100
37	35137	DECAL: READ MANUAL .....	1.....	REPLACES P/N A9511100004 A91110000
38	M9521200604	DECAL: BONDED NEUTRAL.....	1.....	M92120060
39	M9520100704	DECAL: WARNING ARC FLASH.....	1.....	M92010070
40	A9511101304	DECAL: WARNING PROPOSITION 65.....	1.....	A91110130 S/N 5825837 AND ABOVE
41	A9511101704	DECAL: TERMINAL BOLT TORQUE.....	1.....	A91110170 S/N 5919130 AND ABOVE

# PARTS MANUAL

## HERE'S HOW TO GET HELP

PLEASE HAVE THE MODEL AND SERIAL  
NUMBER ON HAND WHEN CALLING

### UNITED STATES

#### *Multiquip Inc.*

(310) 537- 3700  
6141 Katella Avenue Suite 200  
Cypress, CA 90630  
E-MAIL: [mq@multiquip.com](mailto:mq@multiquip.com)  
WEBSITE: [www.multiquip.com](http://www.multiquip.com)

---

### CANADA

#### *Multiquip*

(450) 625-2244  
4110 Industriel Boul.  
Laval, Quebec, Canada H7L 6V3  
E-MAIL: [infocanada@multiquip.com](mailto:infocanada@multiquip.com)

### UNITED KINGDOM

#### *Multiquip (UK) Limited Head Office*

0161 339 2223  
Unit 2, Northpoint Industrial Estate, Globe Lane,  
Dukinfield, Cheshire SK16 4UJ  
E-MAIL: [sales@multiquip.co.uk](mailto:sales@multiquip.co.uk)

© COPYRIGHT 2023, MULTIQUIP INC.

Multiquip Inc, the MQ logo are registered trademarks of Multiquip Inc. and may not be used, reproduced, or altered without written permission. All other trademarks are the property of their respective owners and used with permission.

This manual MUST accompany the equipment at all times. This manual is considered a permanent part of the equipment and should remain with the unit if resold.

The information and specifications included in this publication were in effect at the time of approval for printing. Illustrations, descriptions, references and technical data contained in this manual are for guidance only and may not be considered as binding. Multiquip Inc. reserves the right to discontinue or change specifications, design or the information published in this publication at any time without notice and without incurring any obligations.

Manufactured for  
MQ Power Inc.  
by  
DENYO MANUFACTURING CORP.

