



# TLG8SSK4F2

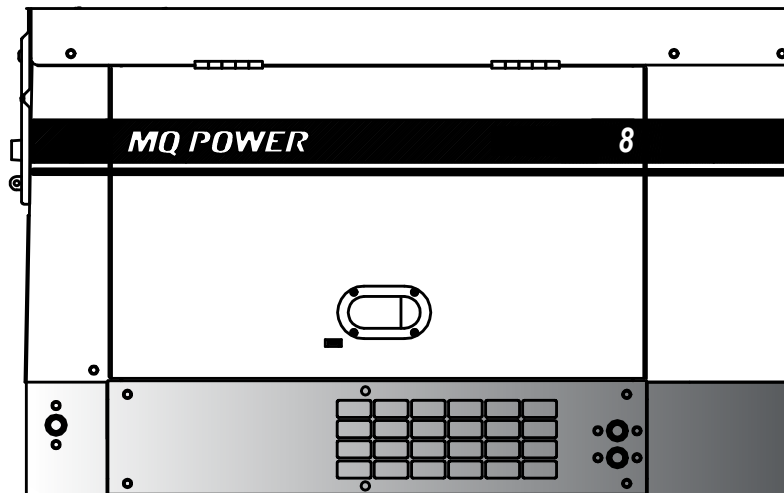
## Generator

### WhisperWatt™

Prime Rating — 6 kW (7.5 kVA)

Standby Rating — 6.4 kW (8 kVA)

Three-Phase, 60 Hertz, 0.8 PF



#### STANDARD FEATURES

- Heavy-duty, 4-cycle, liquid-cooled, diesel engine — Provides maximum reliability.
- EPA emissions certified — Tier 4 Final emissions compliant.
- Single-side Maintenance Design — Quick, direct access to all filters. External fluid drain extensions allow fast, easy service. Ideal for Ground Heater applications and confined areas.
- Automatic safety shutdown system — Monitors low oil pressure, high water temperature and battery charge via warning lamp display module.
- Automatic voltage regulator (AVR) — Provides precise regulation. Power is controlled within  $\pm 1\%$  of mean voltage.
- Full load acceptance of standby nameplate rating in a single step.
- Sound attenuated, weather resistant, steel housing provides operation at 64 dB(A) at 23 feet. Fully lockable enclosure allows safe unattended operation.
- E-coat and powder coat paint provides durability and weather protection.
- Brushless alternator reduces service and maintenance requirements and meets temperature rise standards for Class F insulation systems.
- Fully-covered power panel. Three-phase terminals and single phase GFCI receptacle allow fast and convenient hookup for most applications including temporary power boxes, tools and lighting equipment. All are NEMA standard.
- Complete generator instrumentation — Includes a 2-pole GFCI circuit breaker, AC voltmeter, AC ammeter, frequency meter, voltage regulator, hour meter, idle control switch, warning lamp display, and ignition switch.
- Excellent voltage regulation — Power is controlled within  $\pm 0.5\%$  of mean voltage. Self-regulated.



# TLG8SSK4F2

## Generator

### SPECIFICATIONS

<b>Generator Specifications</b>	
Design	Revolving field, self-ventilated drip-proof, single bearing
Armature Connection	Wye
Voltage Connection	4-Lead, Dedicated Voltages
Excitation	Brushless with AVR
Phase	3
Standby Output	6.4 KW (8 KVA)
Prime Output	6 KW (7.5 KVA)
Rated Voltage	208/240V
Voltage 1Ø Line to Neutral	120, 127, 139
Voltage 3Ø Line to Line	208, 220, 240
Power Factor	0.8
Voltage Regulation (No load to full load)	±1.5%
Generator RPM	3600
Frequency	60 Hz
Winding Pitch	5/6
No. of Poles	2
No. of Leads	4
Frequency Regulation: No Load to Full Load	3-5% under varying loads from no load to 100% rated load
Frequency Regulation: Steady State	±2.5% of mean value for constant loads from no load to full load
Insulation	Class F
Sound Level dB(A) Full load at 23 feet	64

<b>Engine Specifications</b>	
Make / Model	Kubota / Z482-E3B
Emissions	EPA Tier 4 Final Certified
Starting System	Electric
Design	Vertical, 4-cycle, liquid cooled, diesel engine
Displacement	29.23 in <sup>3</sup> (479 cc)
No. cylinders	2
Bore x Stroke	2.52 x 2.68 in. (64 x 68 mm)
Gross Engine Power Output	12.3 hp (9.2 kW)
Compression Ratio	23:1
Engine Speed	3600 rpm
Oil Capacity	.66 gallons (2.5 liters)
Coolant Capacity	0.7 gallons (2.9 liters)
Starting System	Electric
Battery	12V 35Ah x 1

<b>Amperage</b>	
Rated Voltage at 240 V	Maximum Amps
Standby	19.2
Prime	18

<b>Fuel System</b>		
Recommended Fuel	ASTM-D975-No.1 & No.2-D*	
Fuel Tank Capacity	6.8 gallons (26 liters)	
Fuel Consumption	gph	lph
At full load	0.69	2.6
At 3/4 load	0.55	2.1
At 1/2 load	0.48	1.8
At 1/4 load	0.37	1.4
* Use ultra-low sulfur diesel fuel		

<b>Exhaust</b>	
Gas Flow (full load)	87 cfm (2.45 m <sup>3</sup> /min)
Gas Temperature	752° F (400° C)

### WARRANTY\*

#### Kubota Engine

12 months from date of purchase with unlimited hours or 24 months from date of purchase with 2000 hours (whichever occurs first).

#### Generator

24 months from date of purchase or 2000 hours (whichever occurs first).

#### Trailer

12 months excluding normal wear items.

\*Refer to the express written, one-year limited warranty sheet for additional information.

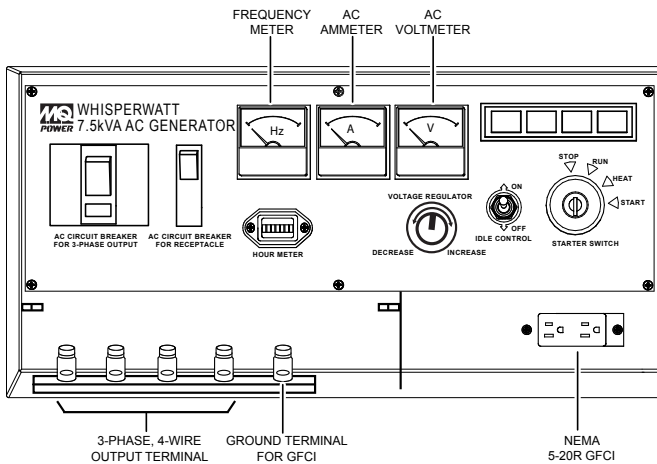


# TLG8SSK4F2 Generator

## MQ POWER DECIBEL LEVELS

Our soundproof housing allows substantially lower operating noise levels than competitive designs. WhisperWatts™ are at home on construction sites, in residential neighborhoods, and at hospitals — just about anywhere.

- 90 — Subway / truck traffic
- 80 — Average city traffic
- 70 — Inside car at 60 mph  
— WhisperWatt™ at 23 feet
- 60 — Air conditioner at 20 feet
- 50 — Normal conversation



Generator Control Panel

## OPTIONAL FEATURES

- **Automatic Start/Stop Control** — Automatically starts and monitors generator during power failure when used in conjunction with a transfer switch.
- **Fuel/Water Separator** — Effectively separates damaging condensation from fuel.
- **Battery Charger** — Provides fully automatic and self-adjusting charging to the generator's battery system.
- **Trailer Mounted Package** — Meets National Highway Traffic Safety Administration (NHTSA) regulations. Trailer is equipped with electronic or surge brakes on all axles.

## OPTIONAL CONTROL FEATURES

- **Emergency Stop Switch** — When manually activated, shuts down generator in the event of an emergency.

## OPTIONAL FUEL CELL FEATURES

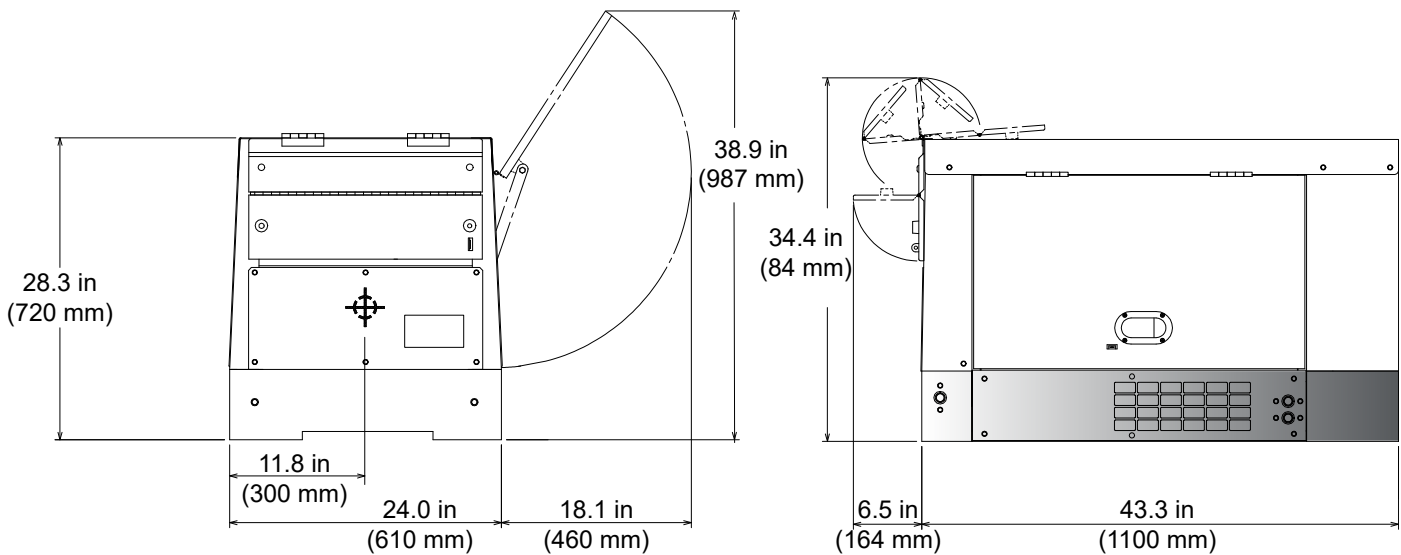
- **Sub-base Fuel Cells (single or double wall)** — additional fuel cell for extended runtime operation. Contains a leak sensor, low fuel level switch, and a secondary containment tank. UL142 listed.
- 12 hours of minimum run time.
- 24 hours of minimum run time.



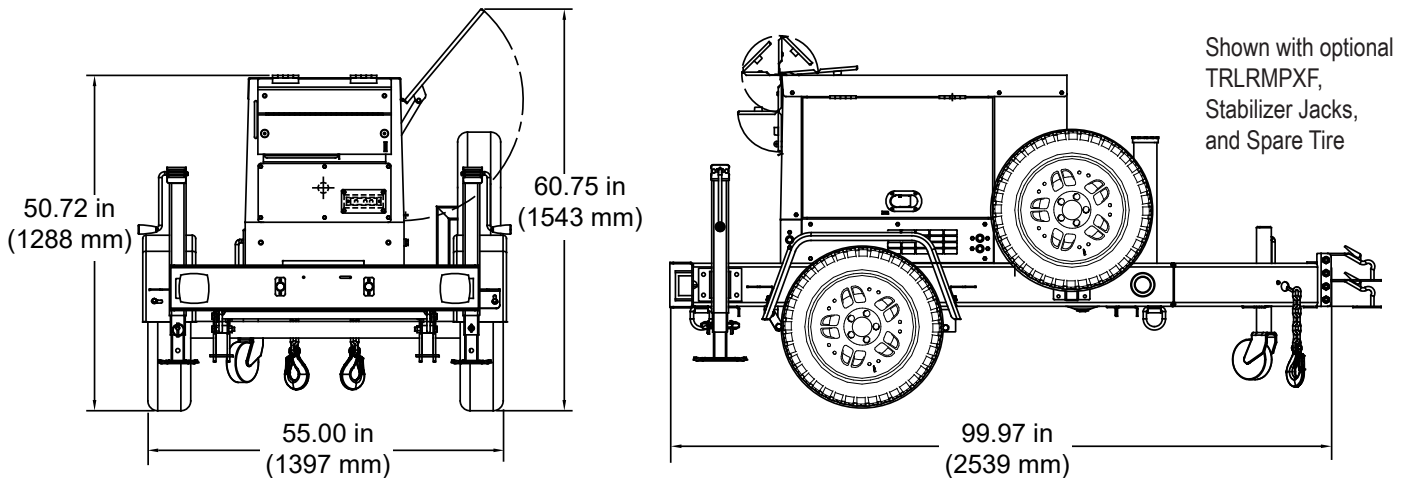
# TLG8SSK4F2

## MQ Power WhisperWatt™ Series

### SKID-MOUNT DIMENSIONS



### TRAILER-MOUNT DIMENSIONS



#### TLG8SSK4F2 Weights\*

Dry Weight	579 lbs (263 kg)
Wet Weight	645 lbs (293 kg)
Max. Lifting Point Capacity	1190 lbs. (540 kg)

\* Weights do not include options.

#### TLG8SSK4F2 and TRLRMPXF Weights\*

Dry Weight (with TRLRMPXF)	926 lbs. (420 kg)
Wet Weight (with TRLRMPXF)	992 lbs. (450 kg)

Generator can be placed on MQ Trailer Model TRLRMPXF.

#### NOTICE

Features and Specifications are subject to change without notice.



MULTIQUIP  
 6141 Katella Avenue Suite 200  
 Cypress, CA 90630  
 310-537-3700  
 E-MAIL: mq@multiquip.com  
 WEBSITE: www.multiquip.com