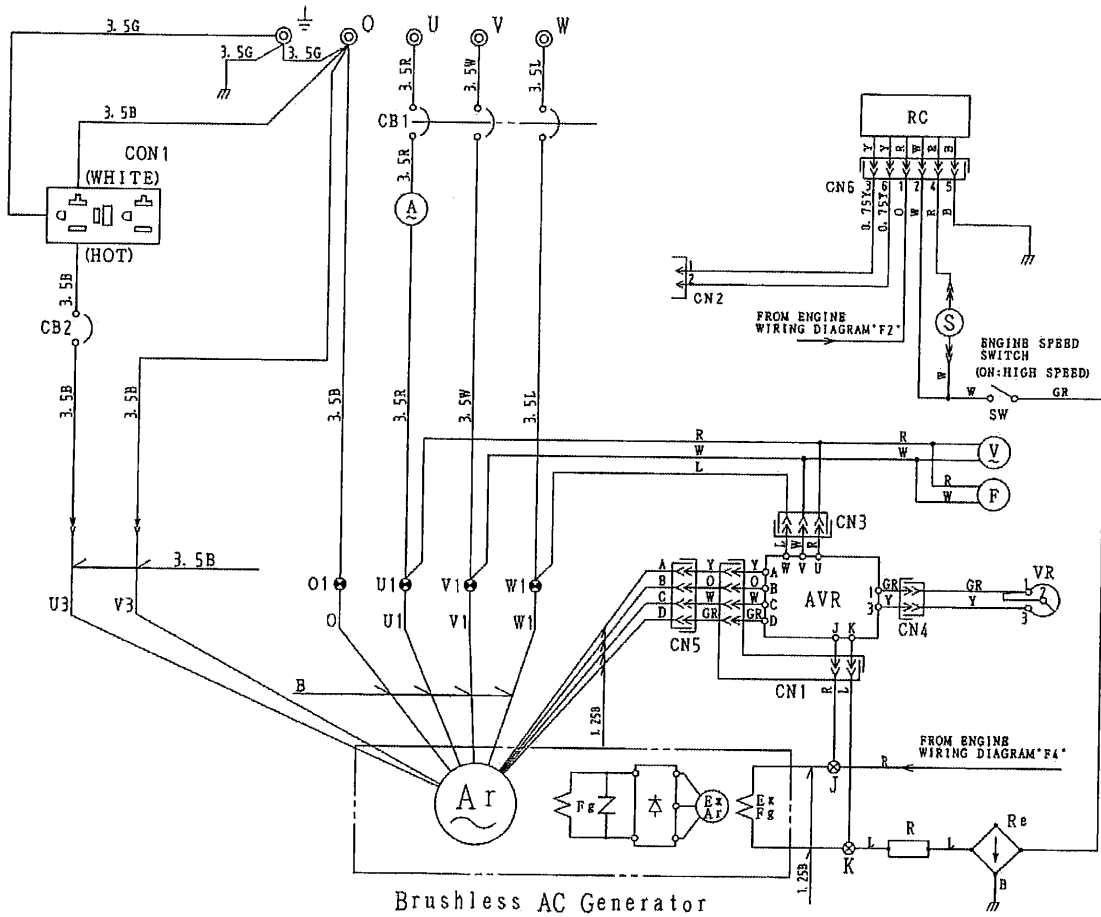


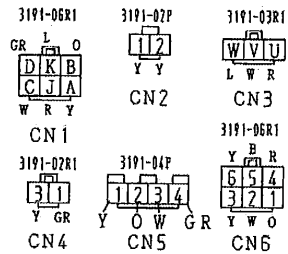
# GENERATOR WIRING DIAGRAM



SYMBOL	PARTS NAME
Ar	Main Armature Winding
Fg	Main Field Winding
ExAr	Exciter Armature Winding
ExFg	Exciter Field Winding
V	AC Voltmeter
A	AC Ammeter
F	Frequency meter
CB1	Circuit Breaker 3P 20A
CB2	Circuit Breaker 1P 20A
CON1	Receptacle (125V 20A G.F.C.I.)
AVR	Automatic Voltage Regulator
VR	Voltage Regulator
R	Resistor
Re	Rectifier
SW	Engine Speed Switch
RC	Idle Control Device
S	Solenoid
⊗ TB1	Combination Terminal
⊙ TB2	Combination Terminal

TB1 ⊗ J K AC 50 19 30

TB2 ⊙ U1 V1 W1 O



View at Wiring Side

Wire Size	WIRING COLOR CODE			
0.75: 0.75mm <sup>2</sup>	SYMBOL	COLOR	SYMBOL	COLOR
2: 2.0mm <sup>2</sup>	B	BLACK	R	RED
3.5: 3.5mm <sup>2</sup>	L	BLUE	W	WHITE
	BR	BROWN	Y	YELLOW
	G	GREEN	LB	LIGHT BLUE
NO MARK: 1.25mm <sup>2</sup>	GR	GRAY	LG	LIGHT GREEN
	V	VIOLET	O	ORANGE
	P	PINK		

Figure 43. Generator Wiring Diagram (TLG8SSK4F SERIES)

# ENGINE WIRING DIAGRAM

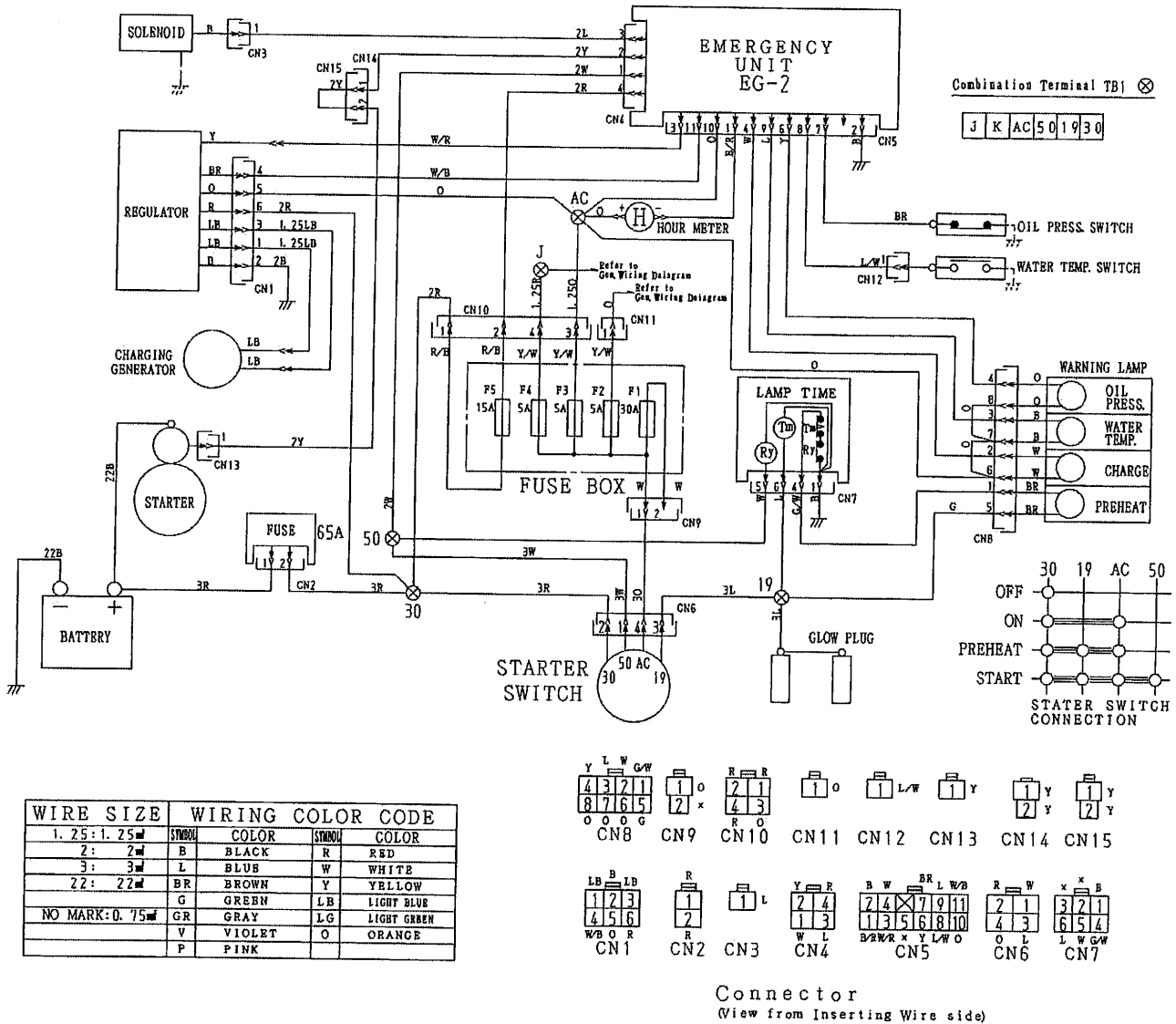


Figure 44. Engine Wiring Diagram