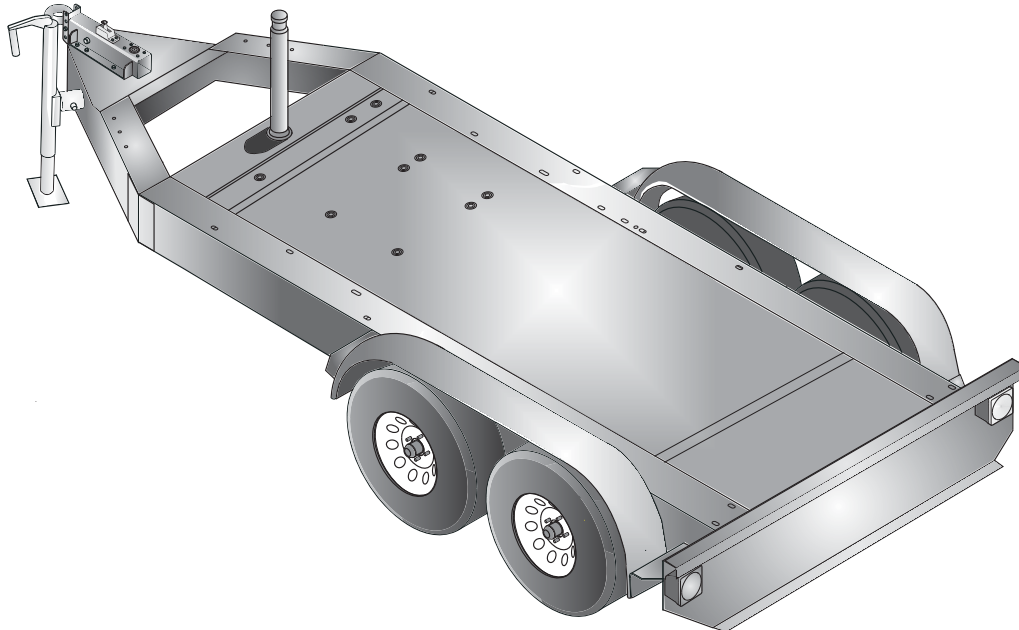




TRLR125XF

MQ POWER Tandem Axle Trailer



TRLR125XF Technical Data

| | |
|---|---|
| Gross Vehicle Weight Rating (GVWR) — 9,000 lbs. (4,082 kg) | Tire Size — ST225/75D15 LR-D |
| Gross Axle Weight Rating (GAWR) — 4,500 lbs./2,041 kg (ea.) | Wheel Bolt Pattern — 6 Lug |
| Actuator Rating — 12,500 (5,670 kg) | Tire Load Rating — 2,540 lbs/1,152 kg (ea.) |
| Coupler Rating — See coupler options on back page. | Dimensions (LxWxH) — See back page |

STANDARD TRAILER EQUIPMENT

- Fits MQ Power Generator Models DCA85SSJ, DCA125SSI
- Tandem-axle Design with Torsion Type Suspension
- H.D. Welded Steel Frame Construction
- Formed Channel for Generator Mounting and Support
- Integral Fuel Cell; Single-wall Steel Design; 180-gallon/681 liters Capacity
- Replaceable, Bolt-on Hydraulic Brake Actuator
- Surge Hydraulic-actuated Drum Brakes (all axles)
- Hydraulic Uni-servo Drum Brakes with Free-backing Plates - 12-inch Cluster
- D.O.T. Steel Brake Lines, Brass Tees and Rubber Hydraulic Brake Hoses
- 4-hole Channel Allows 3-position, Adjustable Coupler Height; 4-inches O/A
- Tongue Mounted, Swivel Jack with Flat Disc-foot (rated 5,000 lbs./2,268 kg lift)
- Replaceable, Bolt-on Steel Fenders
- Serviceable Torsion-axle Swing Arms
- Powder Coat Paint Process including: Frame, Channel, Actuator and Fenders
- D.O.T. Approved Tail Lamps, Stop Lamps, Turn Signal Lamps, Side Marker Lamps
- Weatherproof, Rubber Armored, 3-piece Trailer Light Wiring Harness




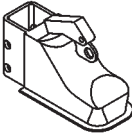
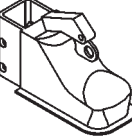
TRLR125XF

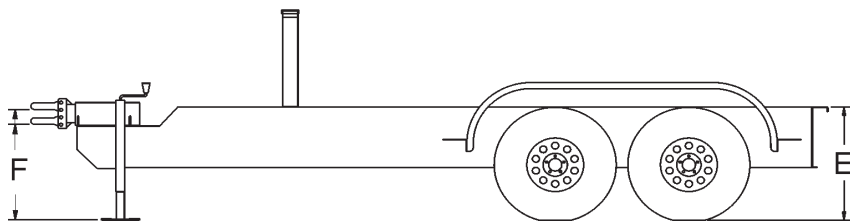
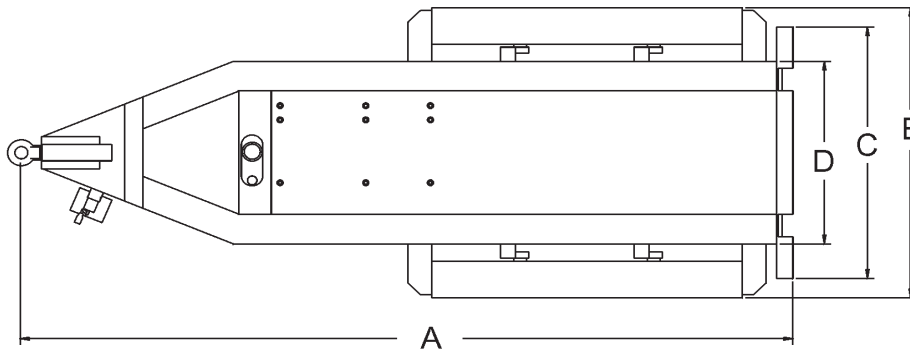
MQ POWER Tandem Axle Trailer

OPTIONAL TRAILER EQUIPMENT

- Bolt-on Electric Brake Coupler Plate with Electric-actuated Drum Brakes (all axles)
- Electric Breakaway Safety Device (electric-actuated brakes)
- Adjustable 2-inch or 2 5/16-inch Ball Coupler
- Adjustable 3-inch Pintle-eye Coupler
- Rear Stabilizer Stands
- Tongue Mounted Utility Storage Box
- Anti-Theft Wheel Lock
- Spare Tire with Locking Mount

Coupler Options

| | |
|--|---|
| 3" Pintle Eye 20,000 lbs. (9,072 kg) (PRIMED) #EE36264 |  |
| 2" Ball Coupler 10,000 lbs. (4,536 kg) (PLATED) #EE43254 |  |
| 2-5/16" Ball Coupler 14,000 lbs. (6,350 kg) (PLATED) #EE43253 |  |



| Trailer Dimensions | | | | | | |
|-------------------------------------|-----------------------|---------------------|---------------------|-------------------|-------------------|-------------------|
| A | B | C | D | E | F | |
| | | | | | MIN | MAX |
| 181 in (4,597 mm) | 72.5 in (1,841 mm) | 62 in (1,575 mm) | 45 in (1,143 mm) | 28 in (711 mm) | 23 in (584 mm) | 27 in (686 mm) |
| Trailer Weight | | | | | | |
| Without Fuel — 1,998 lbs. (906 kg)* | | | | | | |
| With Fuel — 3,278 lbs. (1,487 kg)* | | | | | | |

*Weight is approximate

Your MultiQuip dealer is:

