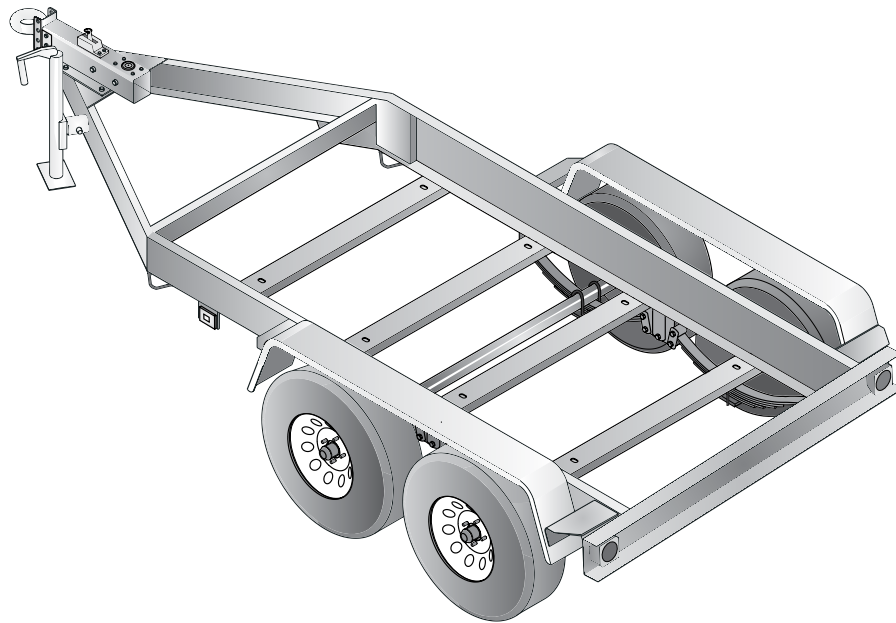




TRLR45US2

MQ POWER Tandem Axle Trailer



TRLR45US Technical Data

Gross Vehicle Weight Rating (GVWR) — 7,000 lbs (2,613 kg)	Tire Size — ST205/75D14 LR-C
Gross Axle Weight Rating (GAWR) — 3,500 lbs. (1,588 kg)	Wheel Bolt Pattern — 5 Lug
Coupler Rating — See coupler options on back page.	Tire Load Rating — 1,760 lbs/657 kg (ea.)

STANDARD TRAILER EQUIPMENT

- Fits MQ Power Generator Model DCA25USIXF, DCA45USI, DCA45SSIU4F
- Tandem-axle Design with Leaf Spring Suspension
- H.D. Welded Steel Frame Construction
- Structural Channel for Generator Mounting and Support
- Replaceable, Bolt-on Hydraulic Brake Actuator
- Surge Hydraulic-actuated Drum Brakes (all axles)
- Hydraulic Uni-servo Drum Brakes with Free-backing Plates - 10-inch Cluster
- D.O.T. Steel Brake Lines, Brass Tees and Rubber Hydraulic Brake Hoses
- 4-hole Channel Allows 3-position, Adjustable Coupler Height; 4-inches O/A
- Tongue Mounted Swivel Jack with Flat Disc-foot (rated 3,000 pound lift)
- Replaceable, Bolt-on Steel Fenders
- Powder Coat Paint Process including: Frame, Channel, Actuator and Fenders
- D.O.T. Approved Tail Lamps, Stop Lamps, Turn Signal Lamps, Side Marker Lamps
- Weatherproof, Rubber Armored, 3-piece Trailer Light Wiring Harness



TRLR45US2

MQ POWER Tandem Axle Trailer

OPTIONAL TRAILER EQUIPMENT

- Bolt-on Electric Brake Coupler and Channel Plate with Electric-actuated Drum Brakes (all axles)
- Electric Breakaway Safety Device (electric-actuated brakes)
- Adjustable 2-inch Ball Coupler
- Adjustable 2 5/16-inch Ball Coupler
- Adjustable 3-inch Pintle-eye Coupler
- Rear Stabilizer Stands
- Tongue Mounted Utility Storage Box
- Spare Tire with Locking Mount
- Anti-Theft Wheel Lock

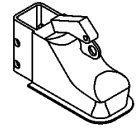
Coupler Options

3" Pintle Eye
20,000 lbs.



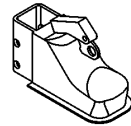
#EE36264

2" Ball Coupler
10,000 lbs.

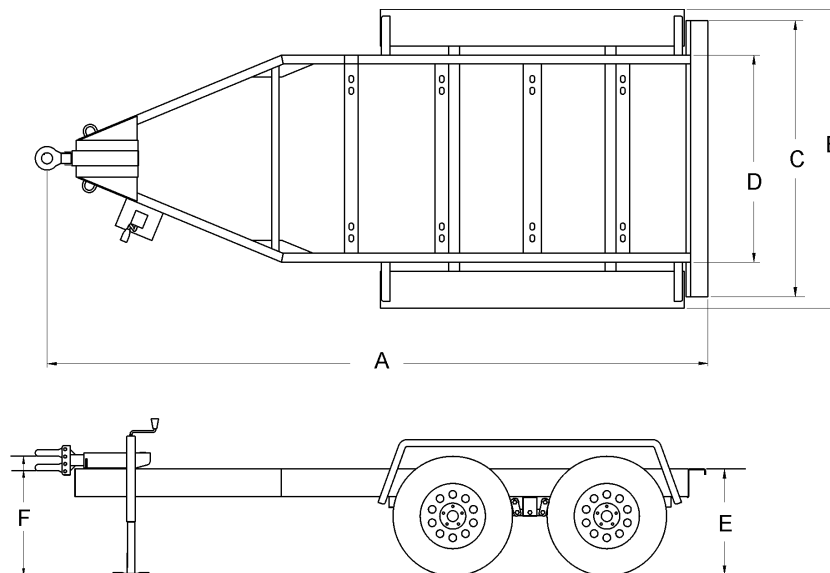


#EE43254

2-5/16" Ball Coupler
14,000 lbs.



#EE43253



Trailer Dimensions

A	B	C	D	E	F	
					MIN	MAX
142.4 in (3,617 mm)	65 in (1,651 mm)	60 in (1,524 mm)	45 in (1,143 mm)	23 in (584)	23.6 in (599 mm)	27.6 in (701 mm)

Trailer Weight

860 lbs. (390 kg)*

*Weight is approximate

Your Multiquip dealer is:

