



Kit, Tool Box TRLRMP/MPXF

Tool Box Installation Instructions

The following instructions are intended to assist the user in the installation of the TRLRMP/MPXF tool box to the trailer frame. Please read all assembly instructions before installing the kit.

REQUIRED TOOLS

- 1/2" ratchet w/ 1/2" socket

PARTS

Verify that all parts are accounted for. See Figure 1 and Table 1.

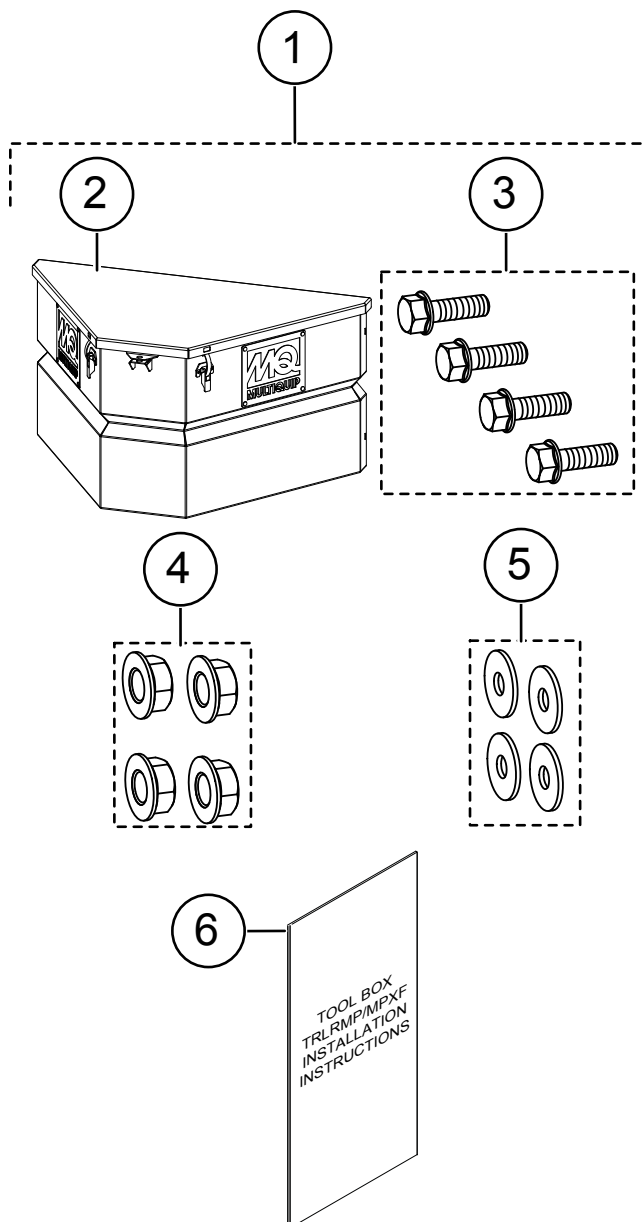


Table 1. TRLRMP/MPXF Tool Box Installation Kit

Item No.	Part No.	Description	QTY.	Remarks
1	59180	Kit, Tool Box, TRLRMP/MPXF	1	Includes items 2-6
2	59116	Tool Box, TRLRMP	1	Includes items 3-6
3	9091	Screw, HHFS, 5/16-18 X 1" GR5	4	
4	49071	Nut, Flanged, 5/16-18 Serrated PLTD	4	
5	933213	Washer, Fender 5/16 X 1" Zinc	4	
6	59153	Instructions, Kit, Tool Box, TRLRMP/MPXF	1	

WORK SAFELY!

Only a **qualified service technician** with proper training should perform this installation. Follow all shop safety rules when performing this installation.

PREPARATION

1. Place the trailer in an area free of dirt and debris. Make sure it is on secure level ground with chock blocks underneath each wheel to prevent the trailer from rolling.

Figure 1. TRLRMP/MPXF Tool Box Kit

MOUNTING TOOL BOX

Reference Figure 2 for tool box installation.

1. Using a 1/2" ratchet with a 1/2" socket extension, secure the tool box to the trailer frame (Figure 2) using 5/16-18 flanged nuts (4), 5/16 X 1" fender washers (4), and 5/16-18 X 1" HHFS screws (4).
2. Using a torque wrench, torque (dry) the tool box mounting hardware to 17 ft-lbs (23 N•m).

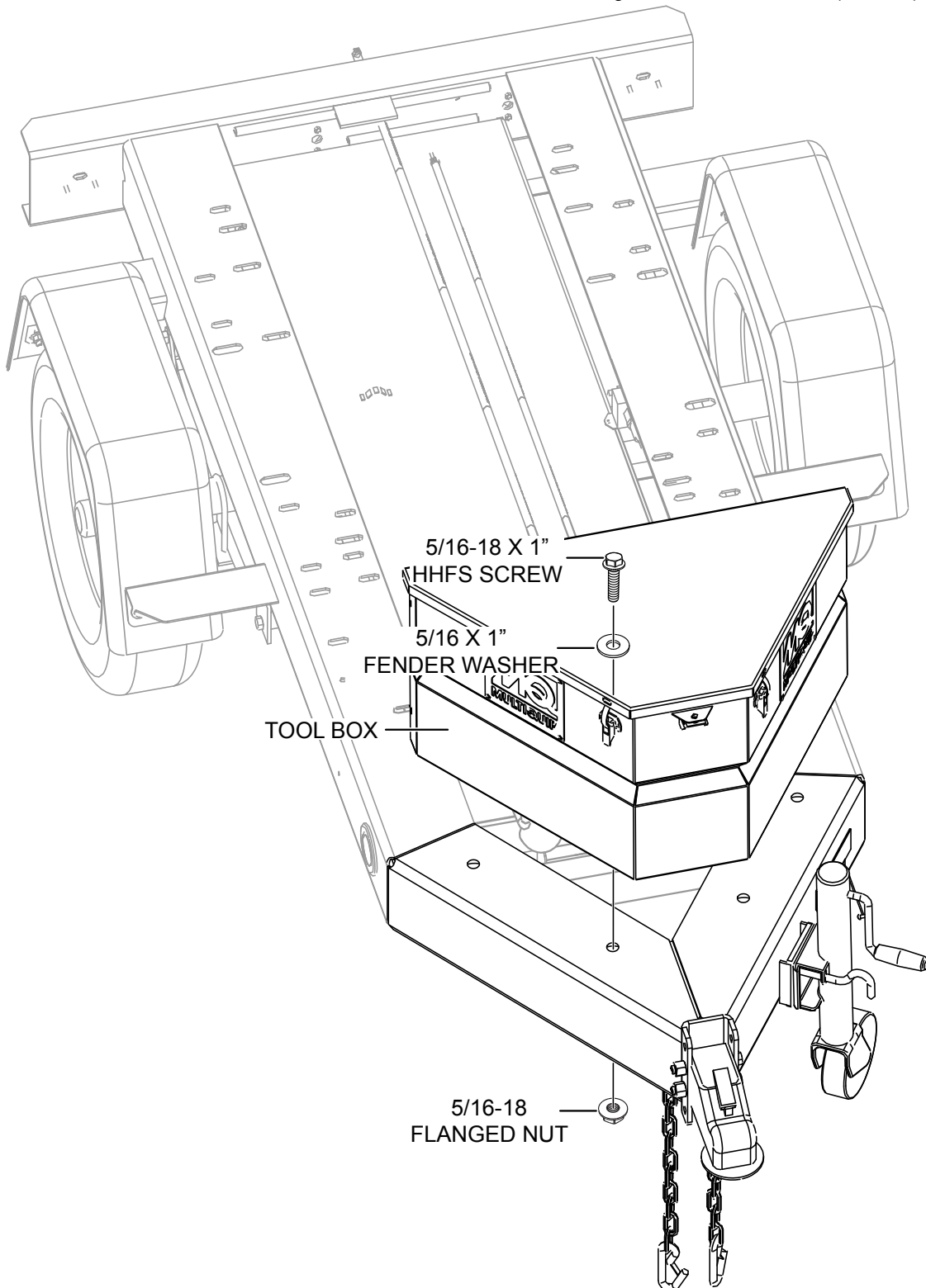


Figure 2. Tool Box Installation



Kit, Tool Box TRLRMP/MPXF

Tool Box Installation Instructions

HERE'S HOW TO GET HELP

PLEASE HAVE THE MODEL AND SERIAL
NUMBER ON-HAND WHEN CALLING

UNITED STATES

Multiquip Corporate Office

18910 Wilmington Ave. Tel. (800) 421-1244
Carson, CA 90746 Fax (310) 537-3927
Contact: mq@multiquip.com

Service Department

800-421-1244 Fax: 310-537-4259
310-537-3700

Technical Assistance

800-478-1244 Fax: 310-943-2238

MQ Parts Department

800-427-1244 Fax: 800-672-7877
310-537-3700 Fax: 310-637-3284

Warranty Department

800-421-1244 Fax: 310-943-2249
310-537-3700

CANADA

Multiquip

4110 Industriel Boul. Tel: (450) 625-2244
Laval, Quebec, Canada H7L 6V3 Tel: (877) 963-4411
Contact: infocanda@multiquip.com Fax: (450) 625-8664

UNITED KINGDOM

Multiquip (UK) Limited Head Office

Unit 2, Northpoint Industrial Estate, Tel: 0161 339 2223
Globe Lane, Fax: 0161 339 3226
Dukinfield, Cheshire SK16 4UJ
Contact: sales@multiquip.co.uk

© COPYRIGHT 2016, MULTIQUIP INC.

Multiquip Inc and the MQ logo are registered trademarks of Multiquip Inc. and may not be used, reproduced, or altered without written permission. All other trademarks are the property of their respective owners and used with permission.

The information and specifications included in this publication were in effect at the time of approval for printing. Illustrations, descriptions, references and technical data contained in this document are for guidance only and may not be considered as binding. Multiquip Inc. reserves the right to discontinue or change specifications, design or the information published in this publication at any time without notice and without incurring any obligations.

Your Local Dealer is:

