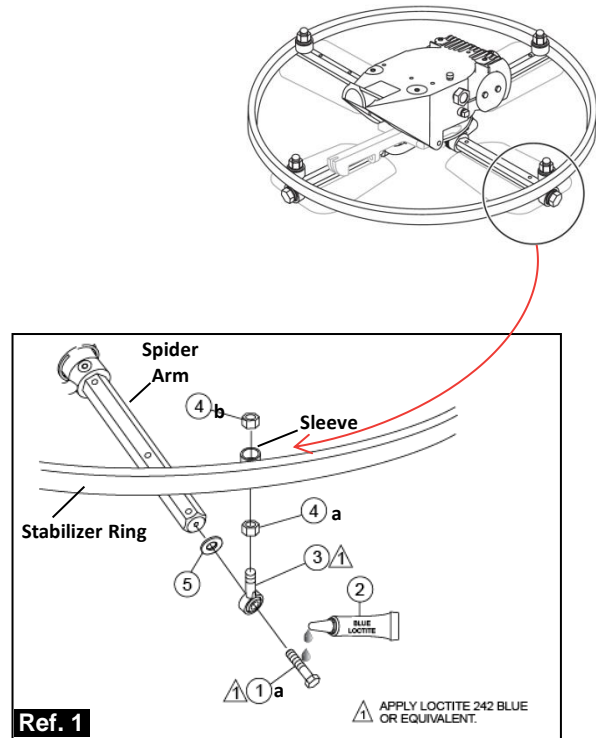


ROD ENDS PERIODIC SERVICE INSPECTION & STABILIZER RING INSTALLATION

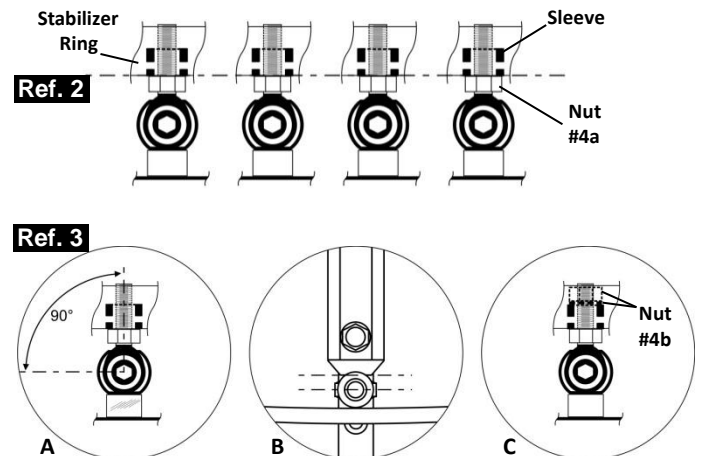
ROD ENDS PERIODIC SERVICE INSPECTION INSTRUCTIONS:

1. Position the blades flat via pitch control.
2. Refer to **Ref.1** for the following instructions.
3. Remove the Stabilizer Ring by removing Nuts #4b.
4. Wipe off any old grease protective coating or any concrete from the Rod End's swivel surfaces.
5. Move/swivel each Rod End by the threaded shaft while spraying the swivel surface with a penetrating oil type lubricant. Ensure free movement/no binding.
6. Replace any Rod Ends found to be binding at any point by Bolts #1 and Washer #5, install in reverse order. Remember to install #5 spacer washer and torque to 30 ft-lbs.
7. Wipe off excess spray lubricant and brush on a coat of grease to each Rod End swivel surface.



STABILIZER RING INSTALLATION INSTRUCTIONS:

1. **Ref.1:** With the Nuts #4a threaded down approximately $\frac{3}{4}$ of the way on the Rod end's threaded shaft. Slip the stabilizer ring sleeves onto all of the rod ends.
2. **Ref.2:** Adjust the Nuts #4a as needed to even out the Stabilizer Ring ensuring the Stabilizer Ring is being supported equally by all 4a Nuts avoiding pre tension on the Rod Ends.
3. **Ref.3, A, B, C:** Holding each Rod End at a 90° position & parallel to the end of the trowel arm, install Nut 4b and 4a Nuts, torque to 7 ft-lbs.



NOTE: Maintain rod ends & spider assy. free of concrete. Clean & brush grease onto rod end's swivel surface on a regular basis. Grease the arms after each use until grease is visible out the end of the bushings.