

# PARTS MANUAL



*Mikasa*

## MODEL UM SERIES HANDHELD VIBRATOR

Revision #0 (07/16/20)

To find the latest revision of this publication or associated operation manual, visit our website at: [www.multiquip.com](http://www.multiquip.com)



THIS MANUAL MUST ACCOMPANY THE EQUIPMENT AT ALL TIMES.

## **UM-Series 23/28/32/38 Handheld Concrete Vibrator**

Table Of Contents.....	2
Explanation Of Code In Remarks Column.....	4
Suggested Spare Parts .....	5

### **Vibrator Component Drawings**

Nameplate and Decals Assembly.....	6-7
Electric Motor Assembly .....	8-9
Shaft Assembly.....	10-13

#### **NOTICE**

Part numbers are subject to change without notice.



# EXPLANATION OF CODE IN REMARKS COLUMN

The following section explains the different symbols and remarks used in the Parts section of this manual. Use the help numbers found on the back page of the manual if there are any questions.

**NOTICE**

The contents and part numbers listed in the parts section are subject to change **without notice**. Multiquip does not guarantee the availability of the parts listed.

## SAMPLE PARTS LIST

NO.	PART NO.	PART NAME	QTY.	REMARKS
1	12345	BOLT .....	1	INCLUDES ITEMS W/%
2%		WASHER, 1/4 IN. ....		NOT SOLD SEPARATELY
2%	12347	WASHER, 3/8 IN. ...	1	MQ-45T ONLY
3	12348	HOSE .....	A/R	MAKE LOCALLY
4	12349	BEARING .....	1	S/N 2345B AND ABOVE

### NO. Column

**Unique Symbols** — All items with same unique symbol (@, #, +, %, or >) in the number column belong to the same assembly or kit, which is indicated by a note in the “Remarks” column.

**Duplicate Item Numbers** — Duplicate numbers indicate multiple part numbers, which are in effect for the same general item, such as different size saw blade guards in use or a part that has been updated on newer versions of the same machine.

**NOTICE**

When ordering a part that has more than one item number listed, check the remarks column for help in determining the proper part to order.

### PART NO. Column

**Numbers Used** — Part numbers can be indicated by a number, a blank entry, or TBD.

TBD (To Be Determined) is generally used to show a part that has not been assigned a formal part number at the time of publication.

A blank entry generally indicates that the item is not sold separately or is not sold by Multiquip. Other entries will be clarified in the “Remarks” Column.

### QTY. Column

**Numbers Used** — Item quantity can be indicated by a number, a blank entry, or A/R.

A/R (As Required) is generally used for hoses or other parts that are sold in bulk and cut to length.

A blank entry generally indicates that the item is not sold separately. Other entries will be clarified in the “Remarks” Column.

### REMARKS Column

Some of the most common notes found in the “Remarks” Column are listed below. Other additional notes needed to describe the item can also be shown.

**Assembly/Kit** — All items on the parts list with the same unique symbol will be included when this item is purchased.

Indicated by:

“INCLUDES ITEMS W/(unique symbol)”

**Serial Number Break** — Used to list an effective serial number range where a particular part is used.

Indicated by:

“S/N XXXXX AND BELOW”

“S/N XXXX AND ABOVE”

“S/N XXXX TO S/N XXX”

**Specific Model Number Use** — Indicates that the part is used only with the specific model number or model number variant listed. It can also be used to show a part is NOT used on a specific model or model number variant.

Indicated by:

“XXXXX ONLY”

“NOT USED ON XXXX”

**“Make/Obtain Locally”** — Indicates that the part can be purchased at any hardware shop or made out of available items. Examples include battery cables, shims, and certain washers and nuts.

**“Not Sold Separately”** — Indicates that an item cannot be purchased as a separate item and is either part of an assembly/kit that can be purchased, or is not available for sale through Multiquip.

## SUGGESTED SPARE PARTS

---

### UM-SERIES 23/28/32/38 CONCRETE VIBRATOR

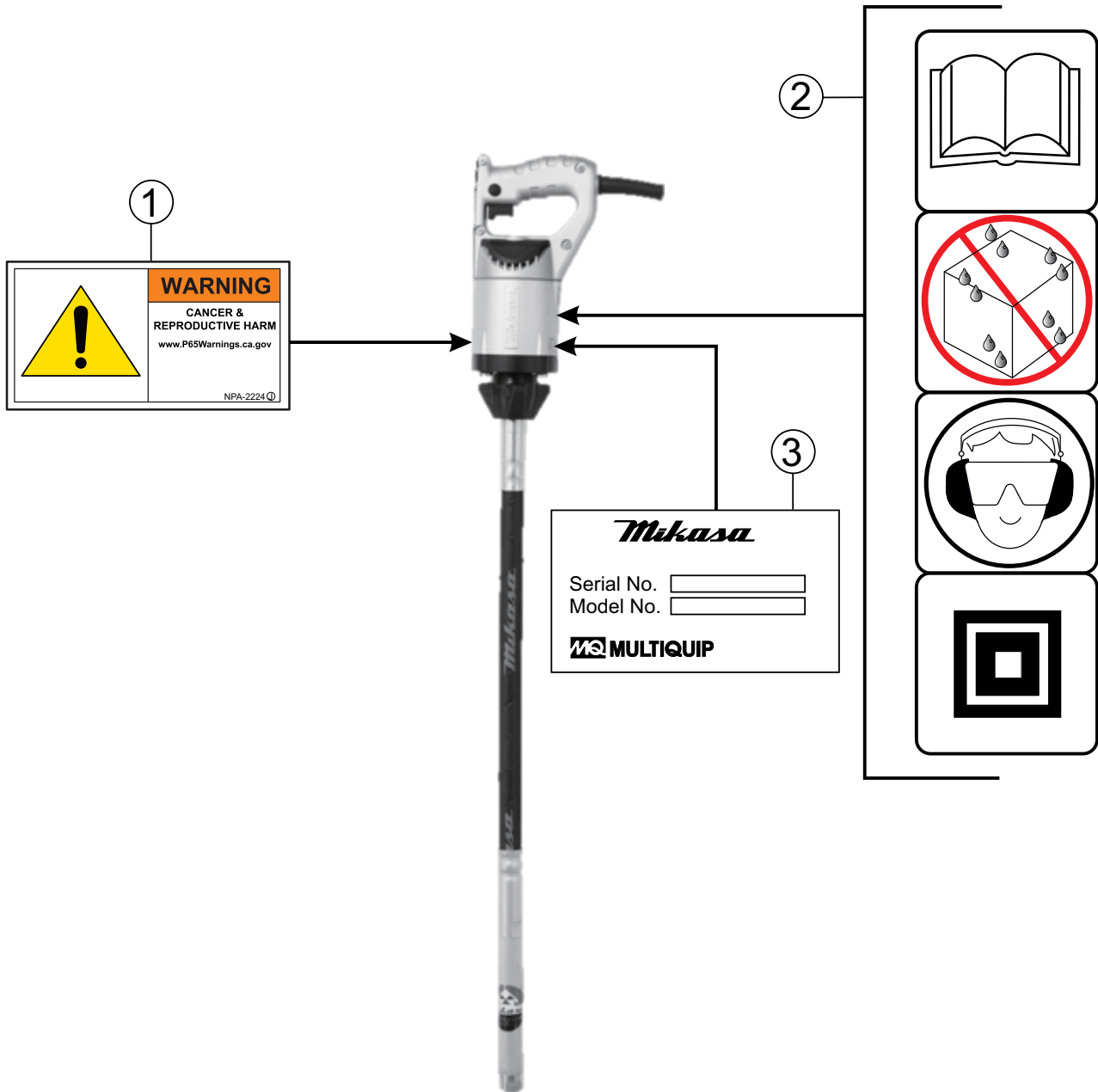
1 to 5 units

Qty.	P/N	Description
3.....	249472670.....	CARBON BRUSH

#### **NOTICE**

Part numbers on this Suggested Spare Parts list may supersede/replace the P/N shown in the text pages of this book.

# NAMEPLATE AND DECALS

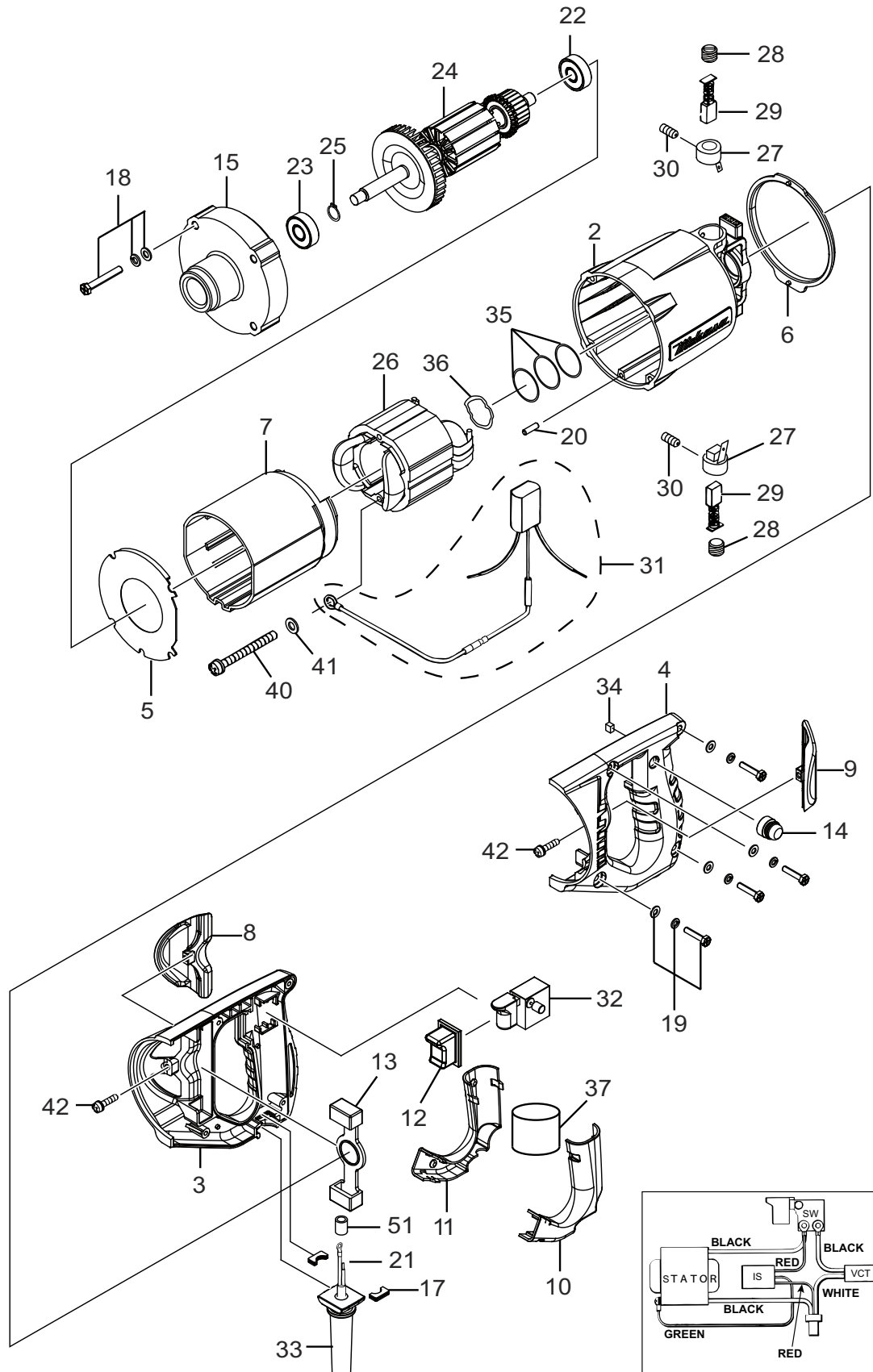


## NAMEPLATE AND DECALS

---

<u>NO.</u>	<u>PART NO.</u>	<u>PART NAME</u>	<u>QTY.</u>	<u>REMARKS</u>
1	920222240	DECAL, WARNING PROPOSITION 65.....	1.....	NPA-2224
2		PLATE, SERIAL NUMBER.....	1.....	CONTACT MQ PARTS DEPT.
3	920220400	DECAL, CAUTION ICONS.....	1.....	NPA-2040

# ELECTRIC MOTOR ASSY.

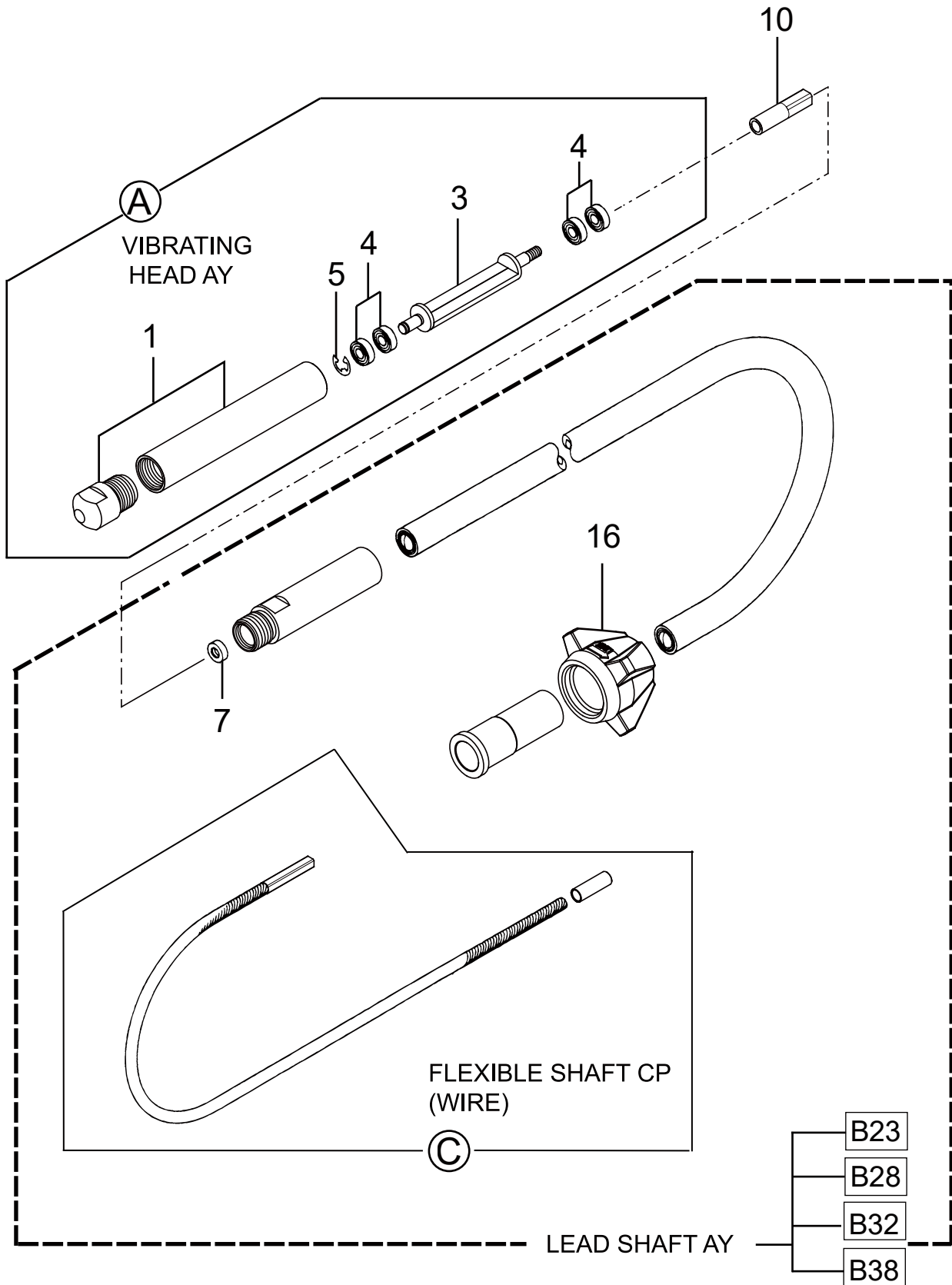




## ELECTRIC MOTOR ASSY.

<u>NO.</u>	<u>PART NO.</u>	<u>PART NAME</u>	<u>QTY.</u>	<u>REMARKS</u>
2	247122730	BODY MOTOR	1	
3	247122750	HANDLE (R)	1	
4	247122740	HANDLE (L)	1	
5	249356660	FAN GUIDE	1	
6	249356670	VIBRATOR RING	1	
7	249220210	STATOR INSULATION	1	
8	249356700	INTAKE CAP (R)	1	
9	249356690	EXHAUST CAP (L)	1	
10	249356730	WIRE INSULATION (L)	1	
11	249356740	WIRE INSULATION (R)	1	
12	249356710	SWITCH COVER	1	
13	249356680	BEARING CAP	1	
14	249356720	SWITCH LOCK COVER	1	
15	249220190	FRONT BRACKET	1	
17	249472640	CLAMP, CABLE	2	
18	009110115	SOCKET HEAD BOLT ASSY., 5X35	4	
19	009110116	SOCKET HEAD BOLT ASSY., 4X20	4	
20	025504014	KNOCK PIN 4X14	1	
21	249473380	CABLE TIE CORD ASSY., CSA	1	
22	042300629	BEARING, 629ZZ	1	
23	042506000	BEARING, 6000ZZSG	1	
24	249357060	ARMATURE ASSY.,120V	1	
25	080200100	STOP RING S-10	1	
26	249357070	STATOR ASSY.,120V	1	
27	249472680	BRUSH HOLDER	2	
28	249472660	HOLDER CAP	2	
29	249472670	CARBON BRUSH	2	
30	099205008	SOCKET HEAD SCREW 5X8	2	
31	249473370	CONDENSER ASSY.	1	
32	247346161	TRIGGER SWITCH	1	
33	249472690	CORD PROTECTOR	1	
34	249472650	RUBBER PIN	1	
35	952410410	SHIM RING	3	
36	952410420	WAVED WASHER	1	
37	249472700	CONTRACTION TUBE, 25-30L	1	
40	009110113	SCREW 4X60	2	
41	031104080	WASHER, FLAT M4	2	
42	009110114	TAPPING SCREW 4X8	2	
51	249473390	CABLE SPACER	1	

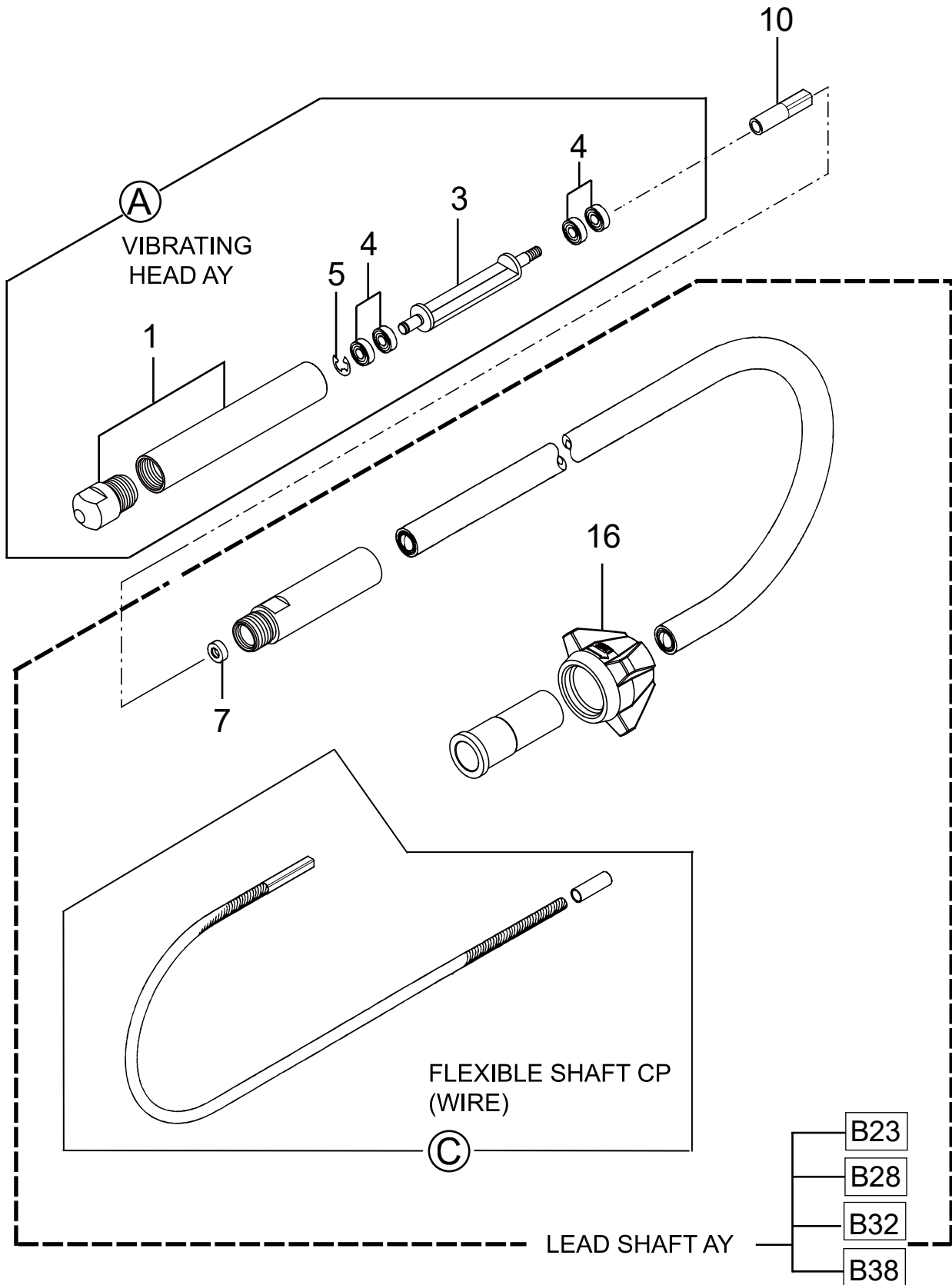
# SHAFT ASSY.



## SHAFT ASSY.

<u>NO.</u>	<u>PART NO.</u>	<u>PART NAME</u>	<u>QTY.</u>	<u>REMARKS</u>
A	242913050	VIBRATING HEAD ASSEMBLY, (UM123).....	1.....	INCLUDES ITEMS W/\$
A	242913060	VIBRATING HEAD ASSEMBLY, (UM128).....	1.....	INCLUDES ITEMS W/@
A	242913070	VIBRATING HEAD ASSEMBLY (UM132).....	1.....	INCLUDES ITEMS W/#
A	242913080	VIBRATING HEAD ASSEMBLY (UM138).....	1.....	INCLUDES ITEMS W/%
B23	242923410	LEAD SHAFT ASSEMBLY, (UM123) .....	1.....	3.2 FT. (1M)/.9 IN (23 MM)
B23	242923420	LEAD SHAFT ASSEMBLY, (UM123) .....	1.....	4.9 FT. (1.5M)/.9 IN (23 MM)
B23	242923440	LEAD SHAFT ASSEMBLY, (UM123) .....	1.....	8.2 FT.(2.5M)/.9 IN (23 MM)
B28	242923460	LEAD SHAFT ASSEMBLY, (UM128) .....	1.....	3.2 FT. (1M)/1.1 IN (28 MM)
B28	242923470	LEAD SHAFT ASSEMBLY, (UM128) .....	1.....	4.9 FT. (1.5M)/1.1 IN (28 MM)
B28	242923490	LEAD SHAFT ASSEMBLY, (UM128) .....	1.....	8.2 FT. (2.5M)/1.1 IN (28 MM)
B32	242923510	LEAD SHAFT ASSEMBLY, (UM132) .....	1.....	3.2 FT. (1M)/1.2 IN (32 MM)
B32	242923520	LEAD SHAFT ASSEMBLY, (UM132) .....	1.....	4.9 FT. (1.5M)/1.2 IN (32 MM)
B32	242923540	LEAD SHAFT ASSEMBLY, (UM132) .....	1.....	8.2 FT. (2.5M)/1.2 IN (32 MM)
B38	242923560	LEAD SHAFT ASSEMBLY, (UM138) .....	1.....	3.2 FT. (1M)/1.5 IN (38 MM)
B38	242923570	LEAD SHAFT ASSEMBLY, (UM138) .....	1.....	4.9 FT. (1.5M)/1.5 IN (38 MM)
B38	242923590	LEAD SHAFT ASSEMBLY, (UM138) .....	1.....	8.2 FT. (2.5M)/1.5 IN (38 MM)
C	242933110	FLEXIBLE SHAFT COMPLETE.....	1.....	3.2 FT. (1M)
C	242933120	FLEXIBLE SHAFT COMPLETE .....	1.....	4.9 FT. (1.5M)
C	242933140	FLEXIBLE SHAFT COMPLETE.....	1.....	8.2 FT. (2.5M)
1\$	242953050	CASE ASSEMBLY, (UM123)	1	
1@	242953060	CASE ASSEMBLY, (UM128)	1	
1#	242953070	CASE ASSEMBLY, (UM132)	1	
1%	242953080	CASE ASSEMBLY, (UM138)	1	
3\$	249355010	ECCENTRIC ROTATOR, (UM123)	1	
3@	249355020	ECCENTRIC ROTATOR, (UM128)	1	
3#	249355030	ECCENTRIC ROTATOR, (UM132)	1	
3%	249355040	ECCENTRIC ROTATOR, (UM138)	1	
4\$	042500697	BEARING, 697ZZSG, (UM123)	4	
4@	040300608	BEARING, 608, (UM128)	4	
4#	040300629	BEARING, 629, (UM132)	4	
4%	040006200	BEARING, 6200, (UM138)	4	
5\$	080300060	STOP RING, E-6, (UM123)	1	
5@	080300070	STOP RING, E-7, (UM128)	1	
5#	080300080	STOP RING, E-8, (UM132)	1	
5%	080300090	STOP RING, E-9, (UM138)	1	

# SHAFT ASSY. CONT'D.



## SHAFT ASSY. CONT'D.

---

<u>NO.</u>	<u>PART NO.</u>	<u>PART NAME</u>	<u>QTY.</u>	<u>REMARKS</u>
7	060601050	OIL SEAL, (UM123)	1	
7	060601060	OIL SEAL, (UM128)	1	
7	060601070	OIL SEAL, (UM132)	1	
7	060601080	OIL SEAL, (UM138)	1	
10	249470680	SHAFT JOINT, (UM123, UM128)	1	
10	249470690	SHAFT JOINT, (UM132, UM138)	1	
16	249220200	LOCK,NUT	1	

# PARTS MANUAL

## HERE'S HOW TO GET HELP

PLEASE HAVE THE MODEL AND SERIAL  
NUMBER ON-HAND WHEN CALLING

### UNITED STATES

#### ***Multiquip Inc.***

(310) 537- 3700  
6141 Katella Avenue Suite 200  
Cypress, CA 90630  
E-MAIL: [mq@multiquip.com](mailto:mq@multiquip.com)  
WEBSITE: [www.multiquip.com](http://www.multiquip.com)

---

### CANADA

#### ***Multiquip***

(450) 625-2244  
4110 Industriel Boul.  
Laval, Quebec, Canada H7L 6V3  
E-MAIL: [infocanada@multiquip.com](mailto:infocanada@multiquip.com)

### UNITED KINGDOM

#### ***Multiquip (UK) Limited Head Office***

0161 339 2223  
Unit 2, Northpoint Industrial Estate,  
Globe Lane,  
Dukinfield, Cheshire SK16 4UJ  
E-MAIL: [sales@multiquip.co.uk](mailto:sales@multiquip.co.uk)

© COPYRIGHT 2020, MULTIQUIP INC.

Multiquip Inc, the MQ logo are registered trademarks of Multiquip Inc. and may not be used, reproduced, or altered without written permission. All other trademarks are the property of their respective owners and used with permission.

This manual MUST accompany the equipment at all times. This manual is considered a permanent part of the equipment and should remain with the unit if resold.

The information and specifications included in this publication were in effect at the time of approval for printing. Illustrations, descriptions, references and technical data contained in this manual are for guidance only and may not be considered as binding. Multiquip Inc. reserves the right to discontinue or change specifications, design or the information published in this publication at any time without notice and without incurring any obligations.

