



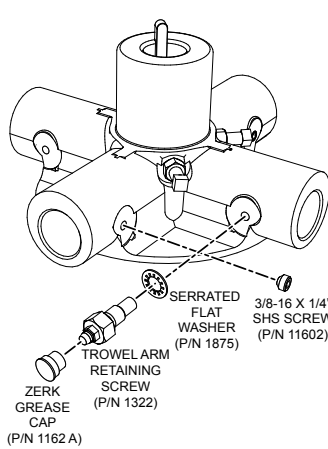
# Walk-Behind and Ride-On Trowel Series

## Universal Spider Service Installation Instructions (Set Screws)

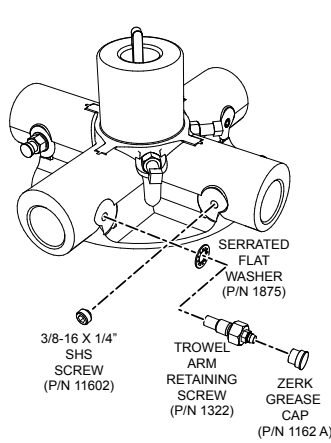
1. Identify the installed location for the new four-blade, five-blade, and six-blade spider (**LEFT** or **RIGHT**).
2. Use Loctite® (P/N 1477) provided.
3. Thread the zerk fitting (arm retaining screw) and plug per the **LEFT** or **RIGHT** spider as shown until snug.

### NOTICE

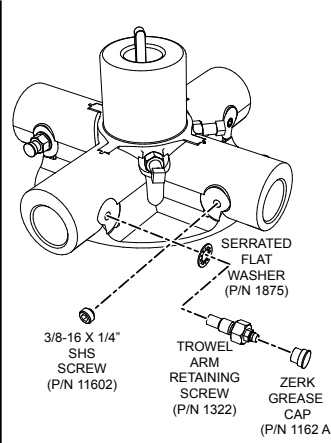
**DO NOT OVER-TIGHTEN.** Damage or binding of the arm bushing may occur.



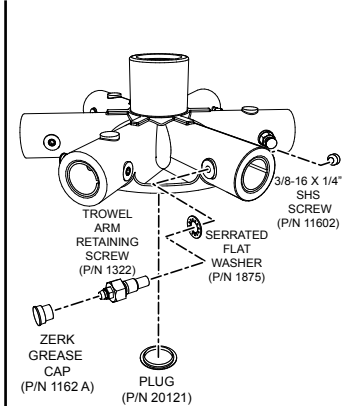
**4-Blade Spider Plate Left Side**



**4-Blade Spider Plate Right Side**



**5-Blade Spider Plate Left/Right Side**



**6-Blade Spider Plate Left/Right Side**

WBT-ROT SERIES — UNIVERSAL SPIDER SERVICE KIT INSTRUCTIONS P/N 11788 — REV. #4 (07/21/16)



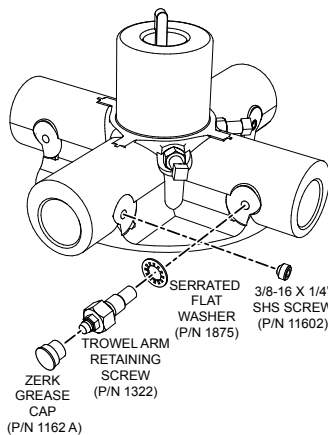
# Walk-Behind and Ride-On Trowel Series

## Universal Spider Service Installation Instructions (Set Screws)

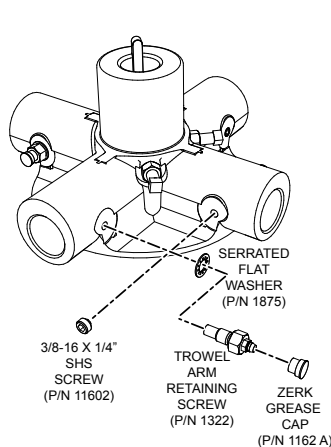
1. Identify the installed location for the new four-blade, five-blade, and six-blade spider (**LEFT** or **RIGHT**).
2. Use Loctite® (P/N 1477) provided.
3. Thread the zerk fitting (arm retaining screw) and plug per the **LEFT** or **RIGHT** spider as shown until snug.

### NOTICE

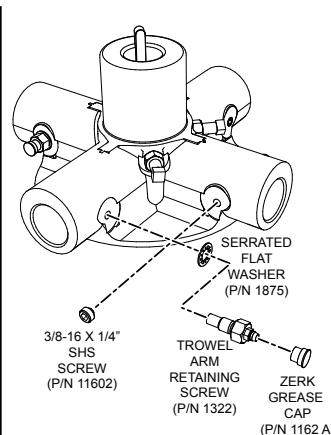
**DO NOT OVER-TIGHTEN.** Damage or binding of the arm bushing may occur.



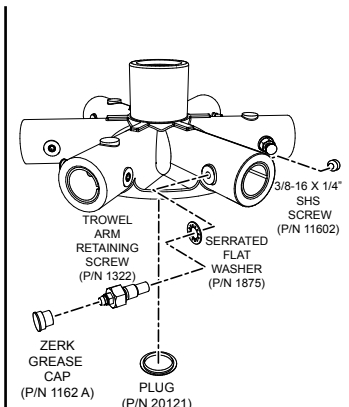
**4-Blade Spider Plate Left Side**



**4-Blade Spider Plate Right Side**



**5-Blade Spider Plate Left/Right Side**



**6-Blade Spider Plate Left/Right Side**

WBT-ROT SERIES — UNIVERSAL SPIDER SERVICE KIT INSTRUCTIONS P/N 11788 — REV. #4 (07/21/16)



# Walk-Behind and Ride-On Trowel Series

## Universal Spider Service Installation Instructions (Set Screws)

### HERE'S HOW TO GET HELP

PLEASE HAVE THE MODEL AND SERIAL NUMBER ON-HAND WHEN CALLING

#### UNITED STATES

##### *Multiquip Corporate Office*

18910 Wilmington Ave., Carson, CA 90746  
Tel. (800) 421-1244 Fax (310) 537-3927  
Contact: mq@multiquip.com

##### *Service Department*

Tel. 800-421-1244 ; 310-537-3700 Fax: 310-537-4259

##### *Technical Assistance*

Tel. 800-478-1244 Fax: 310-943-2238

##### *MQ Parts Department*

Tel. 800-427-1244 ; 310-537-3700 Fax: 800-672-7877 ; 310-637-3284

##### *Warranty Department*

Tel. 800-421-1244 ; 310-537-3700 Fax: 310-943-2249

#### CANADA

##### *Multiquip*

4110 Industriel Boul., Laval, Quebec, Canada H7L 6V3  
Tel: (450) 625-2244 Tel: (877) 963-4411  
Contact: mq@multiquip.com Fax: (450) 625-8664

#### UNITED KINGDOM

##### *Multiquip (UK) Limited Head Office*

Unit 2, Northpoint Industrial Estate, Globe Lane, Dukinfield, Cheshire SK16 4UJ  
Tel: 0161 339 2223 Fax: 0161 339 3226  
Contact: sales@multiquip.co.uk

© COPYRIGHT 2016, MULTIQUIP INC.

Multiquip Inc and the MQ logo are registered trademarks of Multiquip Inc. and may not be used, reproduced, or altered without written permission. All other trademarks are the property of their respective owners and used with permission.

The information and specifications included in this publication were in effect at the time of approval for printing. Illustrations, descriptions, references and technical data contained in this document are for guidance only and may not be considered as binding. Multiquip Inc. reserves the right to discontinue or change specifications, design or the information published in this publication at any time without notice and without incurring any obligations.

Your Local Dealer is:



# Walk-Behind and Ride-On Trowel Series

## Universal Spider Service Installation Instructions (Set Screws)

### HERE'S HOW TO GET HELP

PLEASE HAVE THE MODEL AND SERIAL NUMBER ON-HAND WHEN CALLING

#### UNITED STATES

##### *Multiquip Corporate Office*

18910 Wilmington Ave., Carson, CA 90746  
Tel. (800) 421-1244 Fax (310) 537-3927  
Contact: mq@multiquip.com

##### *Service Department*

Tel. 800-421-1244 ; 310-537-3700 Fax: 310-537-4259

##### *Technical Assistance*

Tel. 800-478-1244 Fax: 310-943-2238

##### *MQ Parts Department*

Tel. 800-427-1244 ; 310-537-3700 Fax: 800-672-7877 ; 310-637-3284

##### *Warranty Department*

Tel. 800-421-1244 ; 310-537-3700 Fax: 310-943-2249

#### CANADA

##### *Multiquip*

4110 Industriel Boul., Laval, Quebec, Canada H7L 6V3  
Tel: (450) 625-2244 Tel: (877) 963-4411  
Contact: mq@multiquip.com Fax: (450) 625-8664

#### UNITED KINGDOM

##### *Multiquip (UK) Limited Head Office*

Unit 2, Northpoint Industrial Estate, Globe Lane, Dukinfield, Cheshire SK16 4UJ  
Tel: 0161 339 2223 Fax: 0161 339 3226  
Contact: sales@multiquip.co.uk

© COPYRIGHT 2016, MULTIQUIP INC.

Multiquip Inc and the MQ logo are registered trademarks of Multiquip Inc. and may not be used, reproduced, or altered without written permission. All other trademarks are the property of their respective owners and used with permission.

The information and specifications included in this publication were in effect at the time of approval for printing. Illustrations, descriptions, references and technical data contained in this document are for guidance only and may not be considered as binding. Multiquip Inc. reserves the right to discontinue or change specifications, design or the information published in this publication at any time without notice and without incurring any obligations.

Your Local Dealer is:

