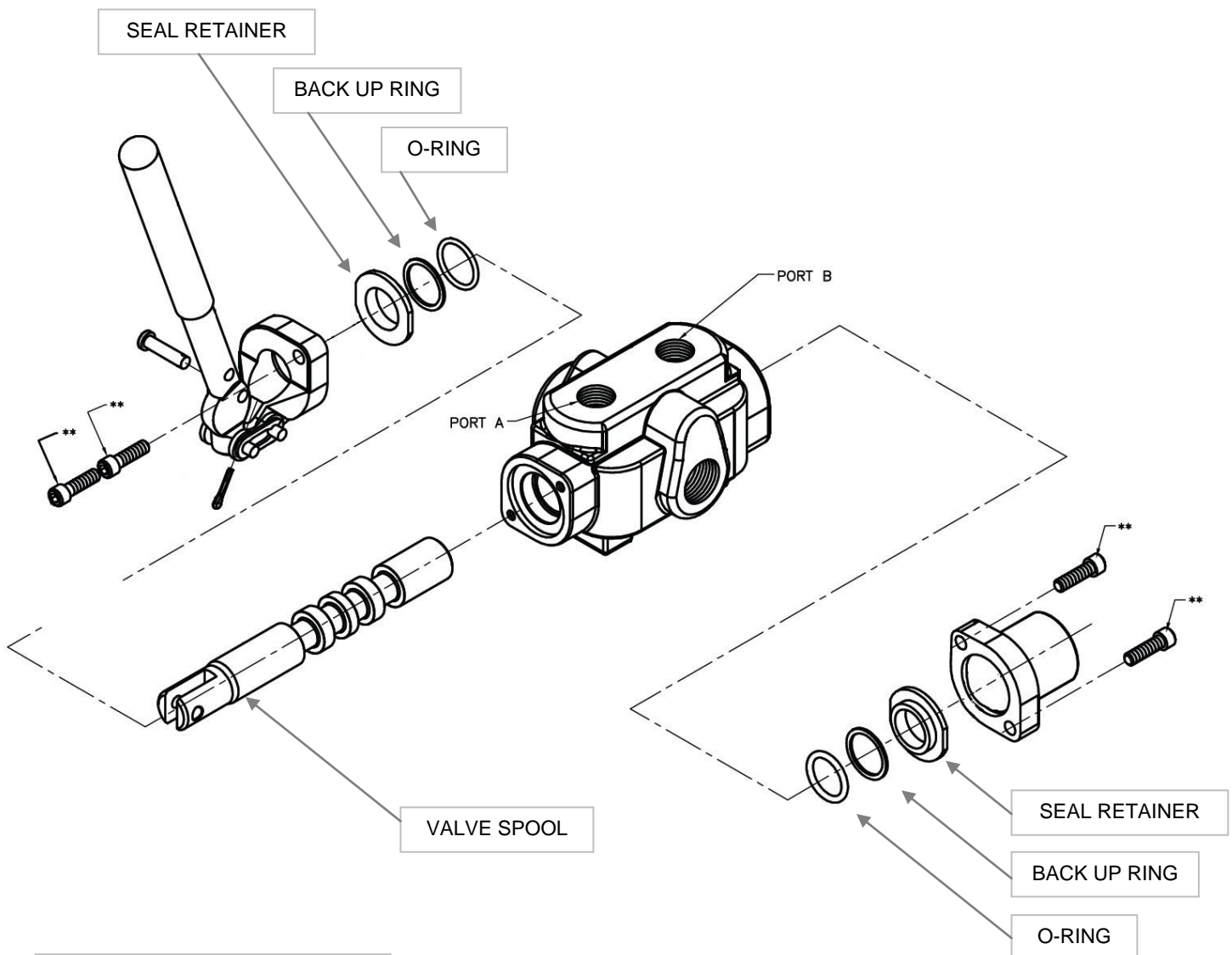


DIRECTIONAL CONTROL VALVE

REPLACING THE VALVE SPOOL SEALS

SEAL KIT • MQ Part # 18058SK

- With valve removed from buggy and on clean work bench remove all parts from both ends.
- Remove valve spool from valve body and remove seal retainer, back up ring, and O-ring at each end of valve body.
- Install new O-ring, back up ring, and original seal retainer in each end of valve body.
- Reassemble per pictorial of valve and parts. *(also reference photos on page 2)*



TORQUE SPEC ** 70-90 in lbs.

CONTINUED ON NEXT PAGE

