

DUMP CYLINDER TEST

The following instructions are intended to test the dump cylinder for an internal hydraulic oil leak. This test should be done only after inspecting charge pump pressure. For more information on charge pump pressure, see Technical Information document, "TI_Buggy_Charge_Pump_PSI_Test"

IMPORTANT: Prior to testing any of the hydraulic system, ensure the engine is running at proper speeds.

• *Engine Maximum Speed Specification* • **3600 RPM** •

BUGGY HYDRAULIC SPECIFICATIONS

Drive Pump Main • Minimum – 2,250 PSI

Charge Pump • Minimum – 900 PSI ± 50 PSI



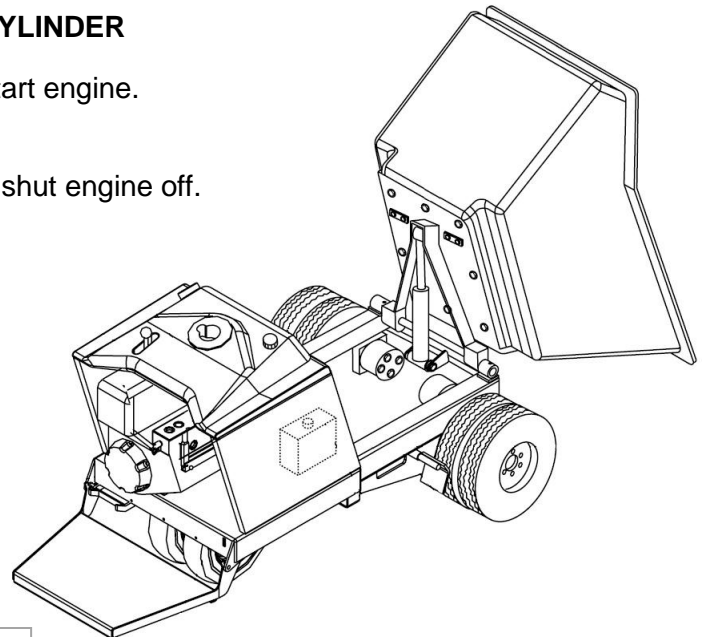
WARNING: The following should only be done by qualified experienced service technicians. For your safety and the safety of others carefully read, understand and observe all instructions.

TESTING DUMP CYLINDER

- Position buggy on a flat surface, apply parking brake, start engine.
- Fully extend the dump cylinder into full up position.
- Apply safety rod to block tub in the upright position and shut engine off.

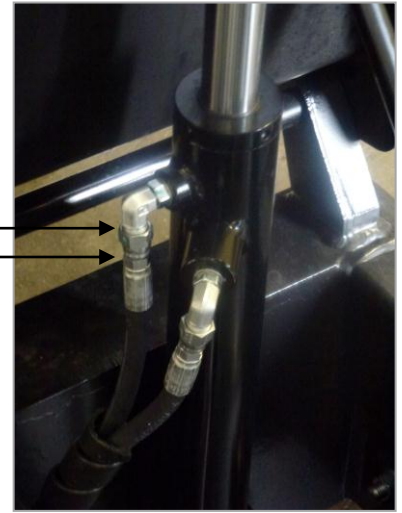
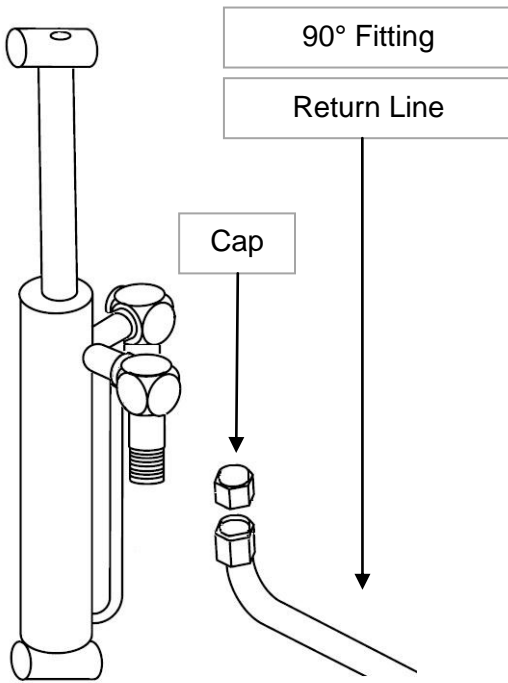


Safety Rod



Continued on next page

- With tub extended and safety rod in place, disconnect the return hydraulic hose and install cap to the hose.
- Leave the 90° fitting in place.



- Place a rag in an oil catch bucket under the 90° fitting



The following should be done with extreme caution as high pressure hydraulic oil can spray during this test.



- Start the engine • accelerate engine to max speed (3600 rpm) • push dump control lever towards dump and hold for about 2 – 3 seconds, if hydraulic oil comes out of the 90° fitting, the cylinder has an internal leak. If no oil comes out of the 90° fitting, the cylinder does not have an internal leak.

