



WHL64 Wheel Kit

Wheel Kit Installation Instructions

The following instructions are intended to assist the user in installing the WHL64 Wheel Kit onto Multiquip MVC64VH/ VHW Plate Compactors. This wheel kit is designed to make the transporting of the plate compactor easier. Please read the instructions before assembling.

REQUIRED TOOLS

- 3/8" Ratchet/Socket Set
- 17 mm Open-End Wrench
- Loctite™ #243, Blue

PARTS

Verify that all parts are accounted for. See Figure 1 and Table 1.

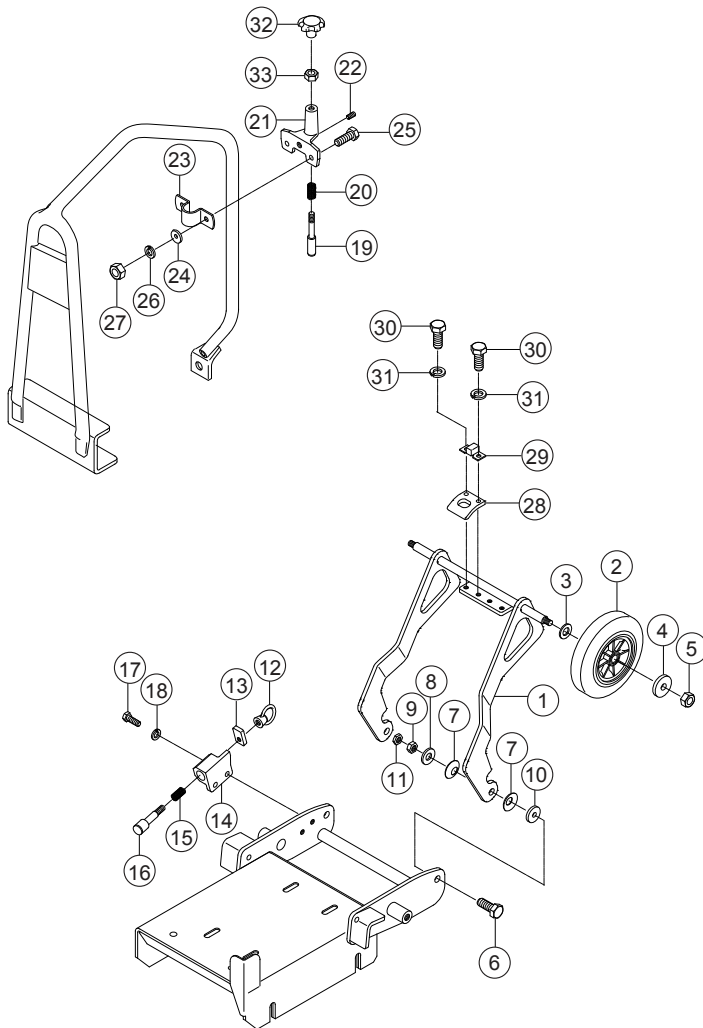


Figure 1. WHL64 Kit Parts

Table 1. Kit Parts

Item No.	Part No.	Description	Qty.	Remarks
A	WHL64	Kit, Wheel	1	Includes items 1-33
1	418352990	Frame, Axle VAS	1	
2	959301000	Wheel	2	
3	031112230	Washer, Flat M12	2	
4	952402610	Washer, 8.5X25X3	2	
5	020308060	Nut, M8	2	
6	001221035	Bolt, 10X35 T	2	
7	032110180	Washer, Conical Spring M10	4	
8	031110160	Washer, Flat M10	2	
9	020310080	Nut, M10	2	
10	952401440	Washer, 11X25X3	2	
11	020410060	Nut, M10	2	
12	959010412	Eye Nut, M8	1	
13	418467280	Stopper	1	
14	418352520	Stopper Bracket	1	
15	418467160	Spring, Stopper	1	
16	418467290	Pin, Stopper	1	
17	001220815	Bolt, 8X15	2	
18	030208200	Washer, Lock M8	2	
19	418467260	Stopper ,Pin L-Bracket	1	
20	458450880	Spring	1	
21	418352500	Lock, Bracket	1	
22	098208008	Bolt, Socket Head	1	
23	418467140	Support Fitting, Pipe	1	
24	952401690	Washer, 6.5X17X3	2	
25	001220620	Bolt, 6X20	2	
26	030206150	Washer, Lock M6	2	
27	020306050	Nut, M6	2	
28	418467270	Lock Plate	1	
29	418467150	Stopper, Rubber	1	
30	001220616	Bolt, 6X16	2	
31	0302-06150	Washer, Lock M6	2	
32	959408900	Knob, M8	1	
33	020408050	Nut, M8	1	

WORK SAFELY!

Only a **qualified service technician** with proper training should perform this installation. Follow all shop safety rules when performing this installation.

STOPPER BRACKET AND AXLE INSTALLATION

1. Attach the stopper bracket (item 14, Figure 1) to the right rear side of the engine base of the plate compactor, using the supplied bolts (item 17) and lock washers (item 18) as shown in Figure 2.
2. Apply Blue Loctite™ #243 to bolt threads. Torque bolts to 18.8 ft·lbf (25.5 N·m).

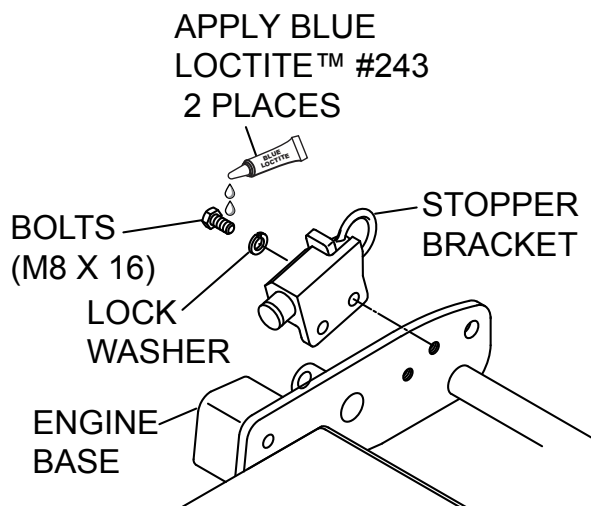


Figure 2. Stopper Bracket Installation

AXLE INSTALLATION

1. Attach the axle (item 1) to the engine base using the supplied M10X35 bolts (item 6), disc springs (item 7), lock washers (item 8) and nuts (item 9). See Figure 3.

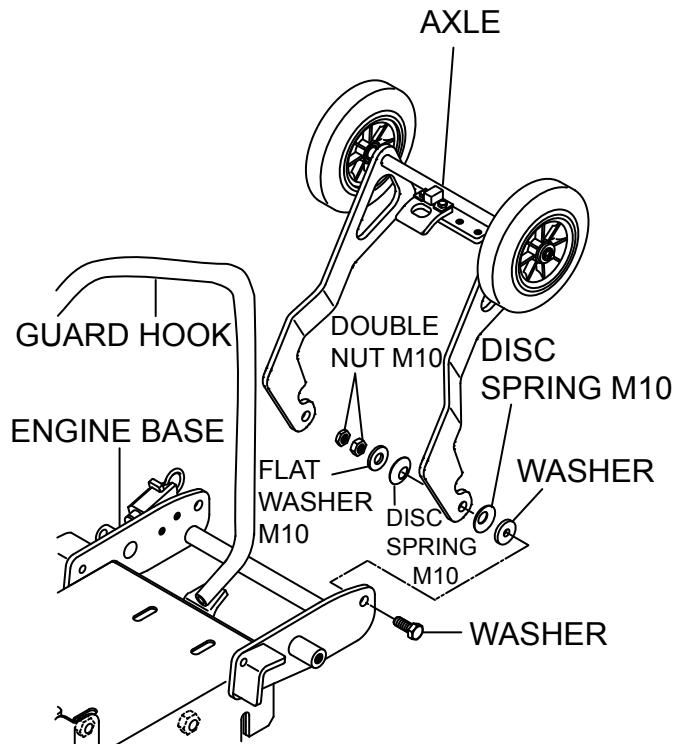


Figure 3. Axle Installation

AXLE SPEED ADJUSTMENT

There may be a need to adjust the deployment speed of the axle. The deployment speed is controlled by the adjustment of the disc spring.

1. Loosen both inner and outer M10 nuts (items 9 and 11) on one side of the axle. See Figure 4.

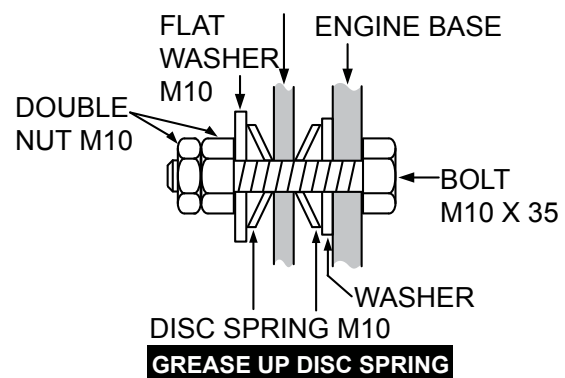


Figure 4. Axle Adjustment

2. Adjust/tighten M10X35 bolt until desired axle deployment speed is achieved.
3. Repeat steps 1 and 2 for other end of cart axle.

LOCK BRACKET INSTALLATION

1. Attach the lock bracket assembly (items 21 and 23) to the rear of the guard hook, using bolts (item 25), washers (items 24 and 26) and socket head screw (item 22). See Figure 5.
2. Apply Blue Loctite™ #243 to bolt and screw threads.

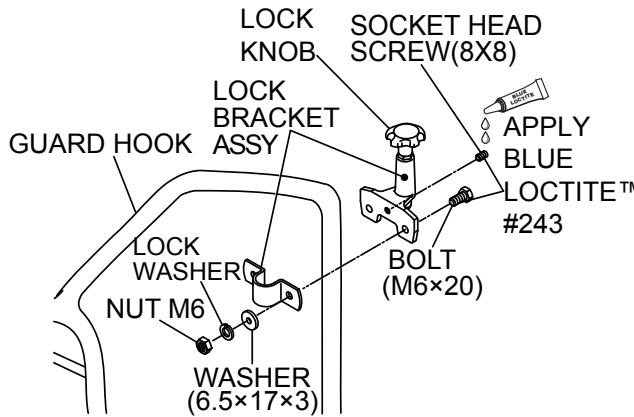


Figure 5. Lock Bracket Installation

3. Adjust the height of the lock bracket assembly to align lock pin with axle stopper hole (Figure 6).

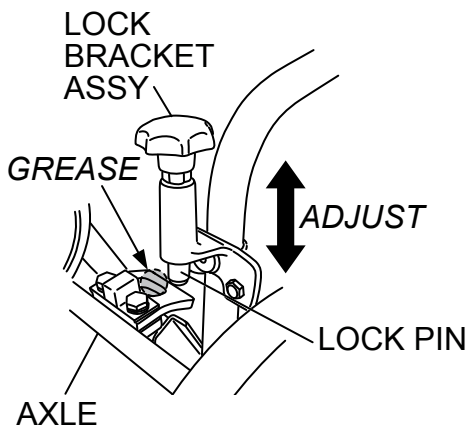


Figure 6. Lock Bracket Height Adjustment

4. Grease contact parts of lock pin and stopper hole.

LOCK PIN ADJUSTMENT

1. Turn the axle and verify that the lock pin fits in the stopper hole at the stored position.
2. Make sure that the lock pin fits snugly into stopper hole and that the axle is fully engaged.
3. Pull lock knob (unlock) and confirm axle rests in place.
4. Pull the axle slightly upward and confirm that the axle slowly revolves and descends. If speed is too fast, adjust disc spring tightness (see Axle Speed Adjustment section).

⚠ CAUTION
If the axle descends too fast, it might fall on operator's feet and cause injury.

OPERATION

Axle Deployment (Transport Mode)

The following procedure details how to place the axle in the transport position.

1. Pull up lock knob to release the axle and let the wheels touch the ground (Figure 7).

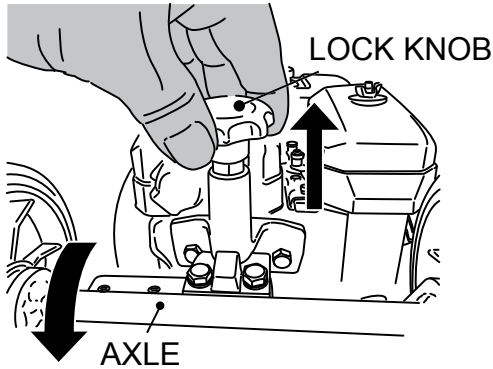


Figure 7. Releasing Lock Knob

2. Pull and turn the eye nut, 90° to the right. See Figure 8.

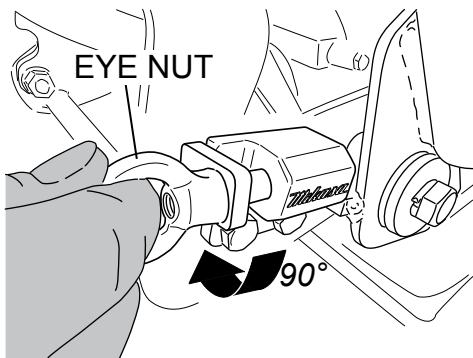


Figure 8. Turning Eye Nut

3. Push the eye nut forward. Tip of the stopper goes into the top of the nail side of the handle.

4. Draw back the handle if stopper is hard. (Figure 9).

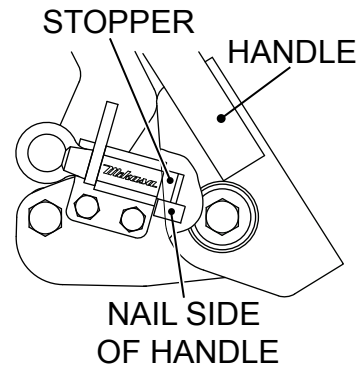
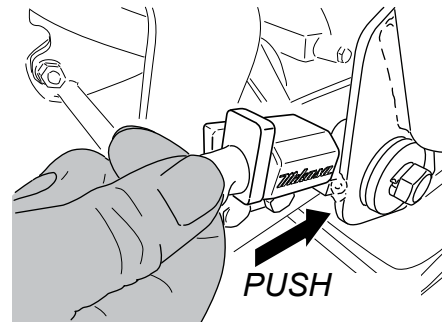


Figure 9. Locking Stopper Pin

5. Push the handle forward to lift up the rear of the compactor from the ground. Place foot on top of axle bar and slide the axle under the plate (Figure 10).

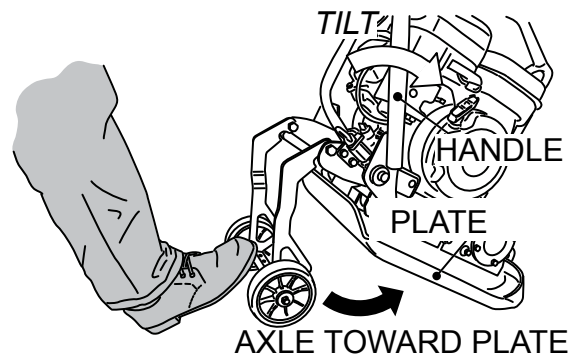


Figure 10. Deploying Axle

6. Pull back handle to the normal position (Figure 11). Compactor is now ready for transport.

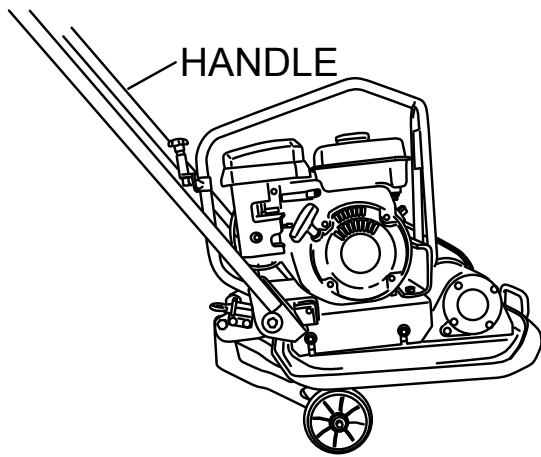


Figure 11. Transporting The Compactor

Axle Stowed Position (Operating Mode)

The following procedure details how to place the axle cart in the stowed position.

1. Push compactor handle forward tilting the compactor then pull out axle from under the plate (Figure 12).

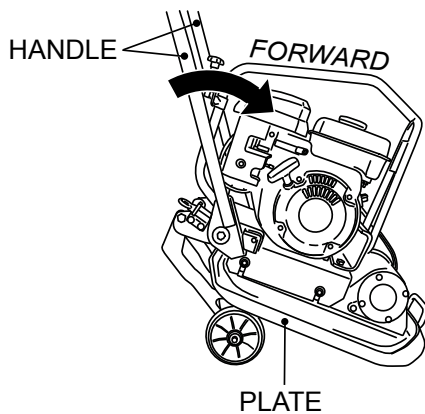


Figure 12. Tilting the Compactor

2. Once the wheels have been positioned away from the rear of the compactor, place your foot (Figure 13) under the axle bar and pull back axle until the plate touches the ground.

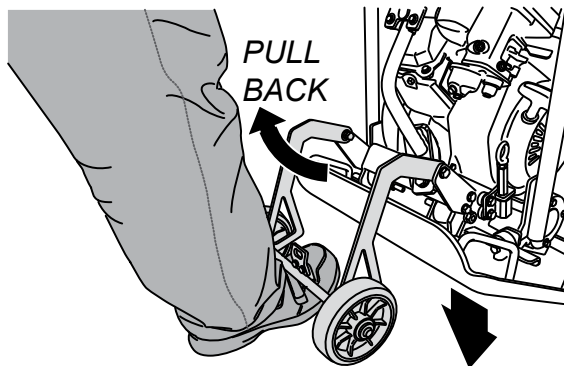


Figure 13. Pulling Back Axle (Foot)

3. With your hand, grab hold of the axle bar (Figure 14) and pull upwards. Continue pulling axle upwards until it is hooked to the stopper.

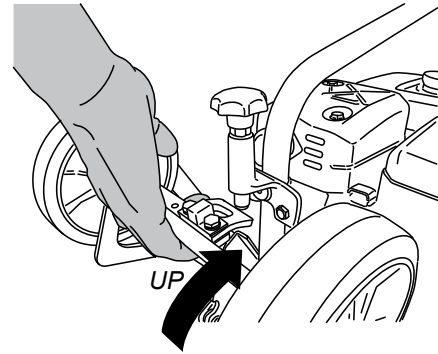


Figure 14. Positioning Axle (Stowed)

4. After the lock pin stopper touches the lock pin, the lock pin moves up, and once it fits into the stopper hole, it moves down automatically. Turn until the lock pin is set to locked position (Figure 15).

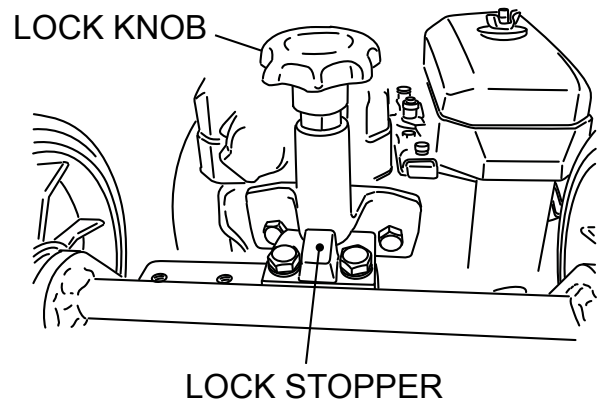


Figure 15. Locking Axle

5. Pull out the eye nut and turn 90° to the left to release the handle (Figure 16).

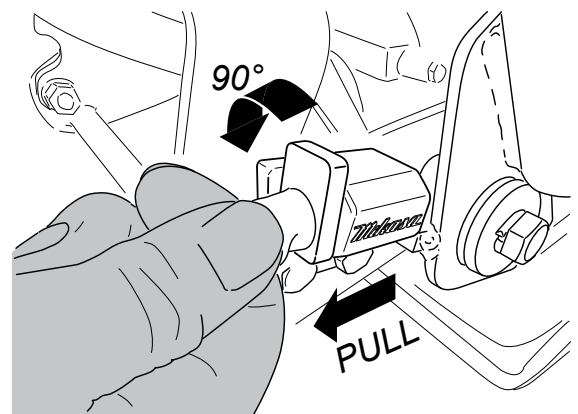


Figure 16. Releasing Handle

6. Compactor is now ready for use.



WHL64 Wheel Kit

Wheel Kit Installation Instructions

HERE'S HOW TO GET HELP

PLEASE HAVE THE MODEL AND SERIAL
NUMBER ON-HAND WHEN CALLING

UNITED STATES

Multiquip Corporate Office

18910 Wilmington Ave.
Carson, CA 90746
Contact: mq@multiquip.com

Tel. (800) 421-1244
Fax (310) 537-3927

Service Department

800-421-1244
310-537-3700

Technical Assistance

800-478-1244

Fax: 310-943-2238

MQ Parts Department

800-427-1244
310-537-3700

Fax: 800-672-7877

Warranty Department

800-421-1244
310-537-3700

Fax: 310-943-2249

CANADA

Multiquip

4110 Industriel Boul.
Laval, Quebec, Canada H7L 6V3
Contact: infocanda@multiquip.com

Tel: (450) 625-2244
Tel: (877) 963-4411
Fax: (450) 625-8664

UNITED KINGDOM

Multiquip (UK) Limited Head Office

Unit 2, Northpoint Industrial Estate,
Globe Lane,
Dukinfield, Cheshire SK16 4UJ
Contact: sales@multiquip.co.uk

Tel: 0161 339 2223
Fax: 0161 339 3226

© COPYRIGHT 2017, MULTIQUIP INC.

Multiquip Inc and the MQ logo are registered trademarks of Multiquip Inc. and may not be used, reproduced, or altered without written permission. All other trademarks are the property of their respective owners and used with permission.

The information and specifications included in this publication were in effect at the time of approval for printing. Illustrations, descriptions, references and technical data contained in this document are for guidance only and may not be considered as binding. Multiquip Inc. reserves the right to discontinue or change specifications, design or the information published in this publication at any time without notice and without incurring any obligations.

Your Local Dealer is:

