



WHL82 Wheel Kit

Wheel Kit Installation Instructions

The following instructions are intended to assist the user in installing the WHL82 Wheel Kit onto Multiquip MVC82VH/VHW (with serial numbers C-2073 and above) Plate Compactors. This wheel kit is designed to make the transporting of the plate compactor easier. Please read the instructions before assembling.

REQUIRED TOOLS

- 3/8" Ratchet/Socket Set
- 17 mm Open-End Wrench
- Loctite™ #243, Blue

PARTS

Verify that all parts are accounted for. See Figure 1 and Table 1.

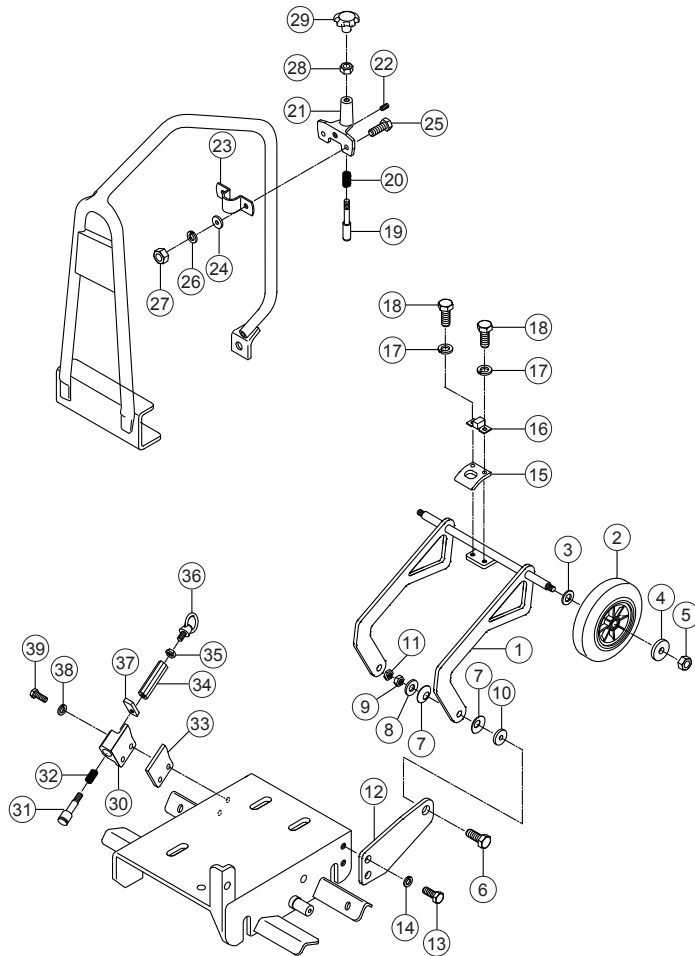


Figure 1. WHL82 Kit Parts

Table 1. Kit Parts

Item No.	Part No.	Description	Qty.	Remarks
A	WHL82	Kit, Wheel	1	Includes items 1-39
1	419354470	Frame, Axle	1	
2	959301000	Wheel	2	
3	031112230	Washer, Flat M12	2	
4	952402610	Washer, 8.5X25X3	2	
5	020308060	Nut, M8	2	
6	001221035	Bolt, 10X35 T	2	
7	032110180	Washer, Conical Spring M10	4	
8	031110160	Washer, Flat M10	2	
9	020310080	Nut, M10	2	
10	952401440	Washer, 11X25X3	2	
11	020410060	Nut, M10	2	
12	419463780	Stay, Cart	2	
13	001220816	Bolt, 8X16	4	
14	030208200	Washer, Lock M8	4	
15	418467270	Lock Plate, V-Axle	1	
16	418467150	Stopper, Rubber	1	
17	030206150	Washer, Lock M6	2	
18	001220616	Bolt, 6X16	2	
19	418467260	Stopper ,Pin L-Bracket	1	
20	458450880	Spring	1	
21	418352500	Lock, Bracket	1	
22	098208008	Bolt, Socket Head	1	
23	418467140	Support Fitting, Pipe	1	
24	952401690	Washer, 6.5X17X3	2	
25	001220620	Bolt, 6X20	2	
26	030206150	Washer, Lock M6	2	
27	020306050	Nut, M6	2	
28	020408050	Nut, M8	1	
29	959408900	Knob, M8	1	
30	418352520	Bracket, Stopper	1	
31	418467290	Stopper Pin, Handle	1	
32	418467160	Spring, Stopper	1	
33	419469950	Spacer, Cart	1	
34	952409750	Nut, M8 H=50	1	
35	020408050	Nut, M8 H=5	1	
36	009120601	Bolt, Eye 8X15	1	
37	418467280	Stopper	1	
38	030208200	Washer, Lock M8	2	
39	0012-20825	Bolt, 8X25	2	

WORK SAFELY!

Only a **qualified service technician** with proper training should perform this installation. Follow all shop safety rules when performing this installation.

STOPPER BRACKET AND AXLE INSTALLATION

1. Attach the stopper bracket (item 30, Figure 1) and spacer (item 33) to the right rear side of the engine base of the plate compactor, using the supplied bolts (item 39) and spacers (item 38) as shown in Figure 2.
2. Apply Blue Loctite™ #243 to bolt threads. Torque bolts to 18.8 ft·lbf (25.5 N·m).

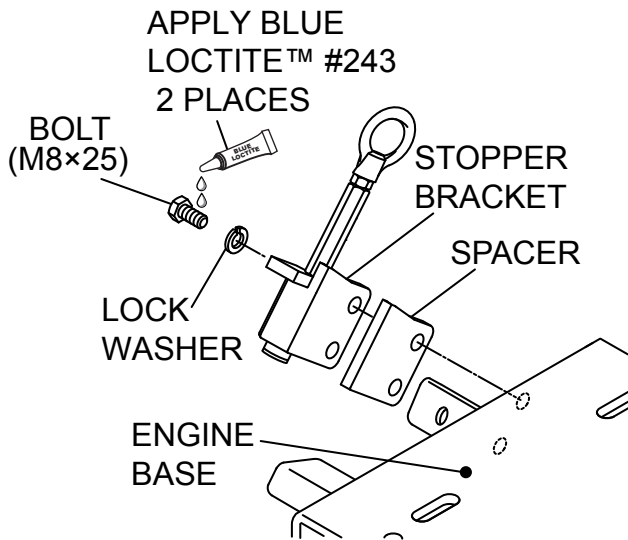


Figure 2. Stopper Bracket Installation

AXLE INSTALLATION

1. Attach the stay (item 12) of the axle to the engine base using the supplied M8X16 bolts (item 13) and M8 lock washers (item 14). See Figure 3.

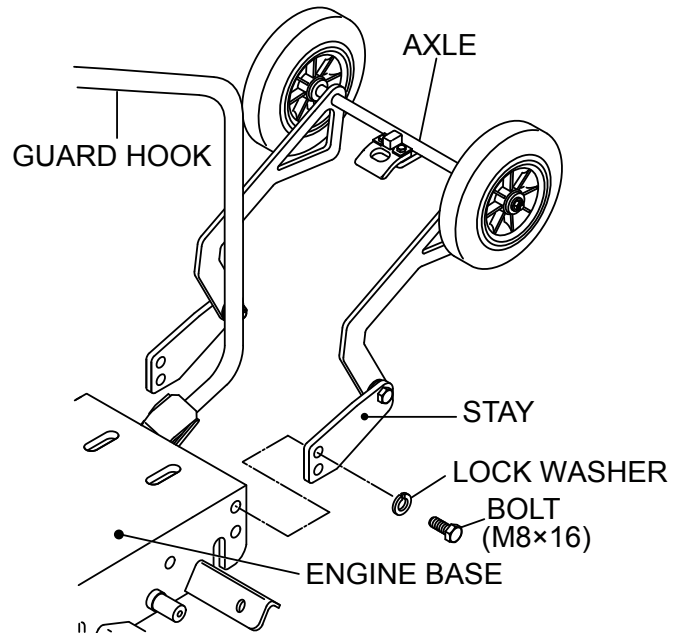


Figure 3. Axle Installation

LOCK BRACKET INSTALLATION

1. Attach the lock bracket assembly (items 21 and 23) to the rear of the guard hook, using bolts (item 25), washers (items 24 and 26) and socket head screw (item 27). See Figure 4.
2. Apply Blue Loctite™ #243 to bolt and screw threads.

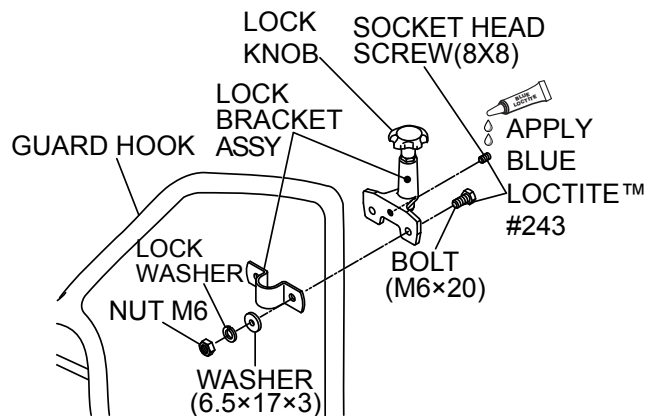


Figure 4. Lock Bracket Installation

- Adjust the height of the lock bracket assembly to align lock pin with axle stopper hole (Figure 5).

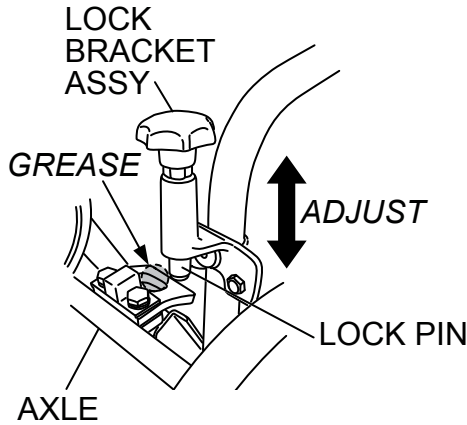


Figure 5. Lock Bracket Height Adjustment

- Grease contact parts of lock pin and stopper hole.

LOCK PIN ADJUSTMENT

- Turn the axle and verify that the lock pin fits in the stopper hole at the stored position.
- Make sure that the lock pin fits snugly into stopper hole and that the axle is fully engaged.
- Pull lock knob (unlock) and confirm axle rests in place.
- Pull the axle slightly upward and confirm that the axle slowly revolves and descends. If speed is too fast, adjust disc spring tightness (see Axle Speed Adjustment section).

⚠ CAUTION

If the axle revolves and descends too fast, it might fall on operator's feet and cause injury.

AXLE SPEED ADJUSTMENT

There may be a need to adjust the deployment speed of the axle when released by the lock pin. The deployment speed is controlled by the adjustment of the disc spring.

Use the procedure below to adjust the speed of the axle.

- Loosen both inner and outer M10 nuts (items 9 and 11) on one side of the axle. See Figure 6.

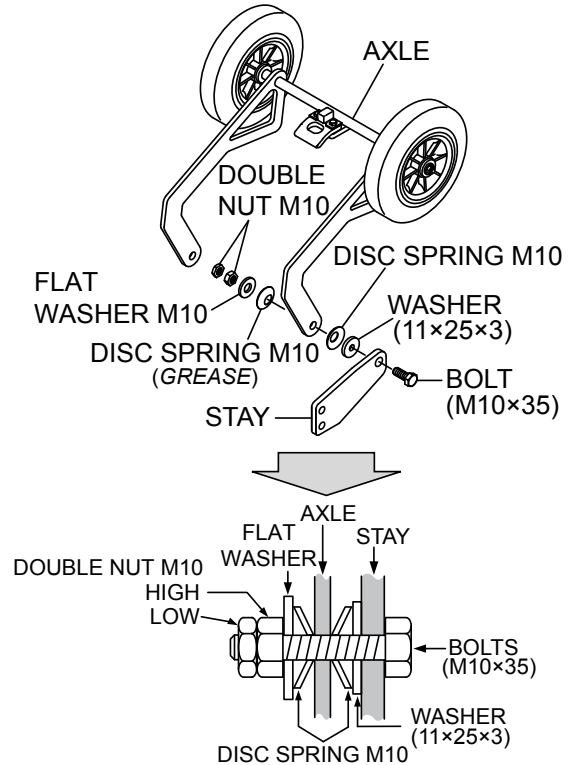


Figure 6. Axle Adjustment

- Adjust/tighten M10X35 bolt until desired axle deployment speed is achieved.
- Repeat steps 1 and 2 for other end of cart axle.

OPERATION

Axle Deployment (Transport Mode)

The following procedure details how to place the axle in the transport position.

1. Grab the handle and place it in the operating position.
2. Pull and turn the eye nut, 90° to the right. See Figure 7.

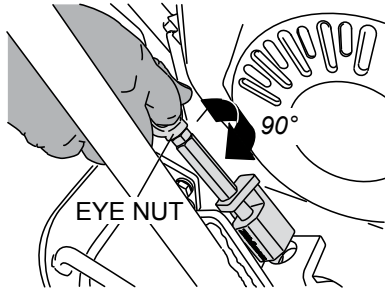


Figure 7. Turning Eye Nut

3. Release the eye nut and move handle forward and reverse until the stopper pin is aligned in place (Figure 8). Pull the handle back more, if stopper pin is difficult to lock.

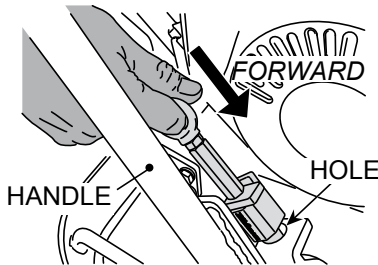


Figure 8. Locking Stopper Pin

4. Move the handle backwards and check that it is locked in place (Figure 9).

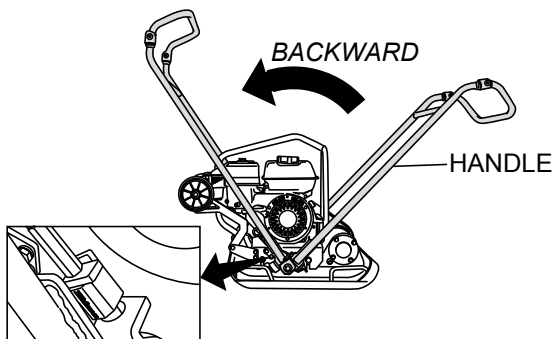


Figure 9. Moving Handle Backwards

5. Pull up lock knob to release the axle and let the wheels touch the ground (Figure 10).

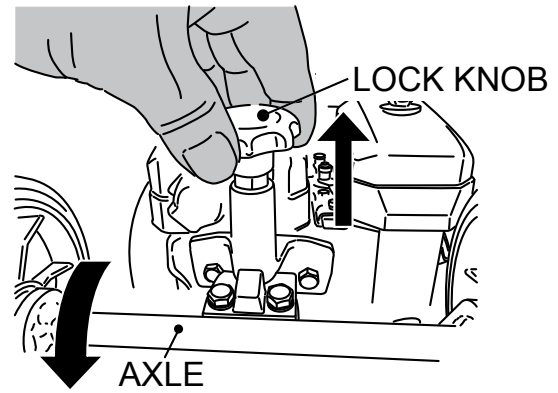


Figure 10. Releasing Lock Knob

6. Push the handle forward to lift up the rear of the compactor from the ground. Place foot on top of axle bar and slide the axle under the plate (Figure 11).

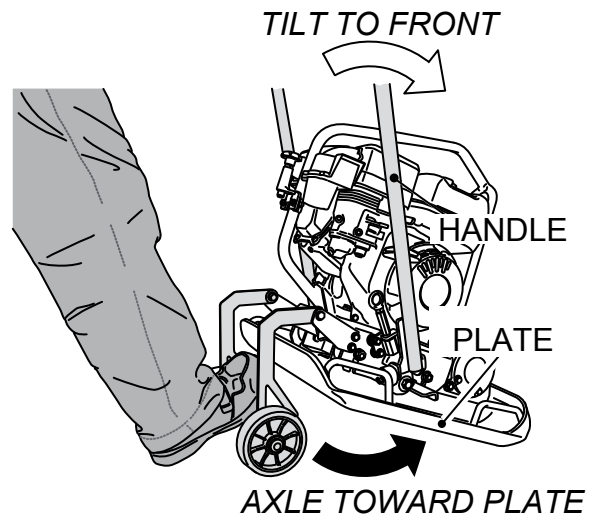


Figure 11. Deploying Axle

7. Pull back handle to the normal position (Figure 12). Compactor is now ready for transport.

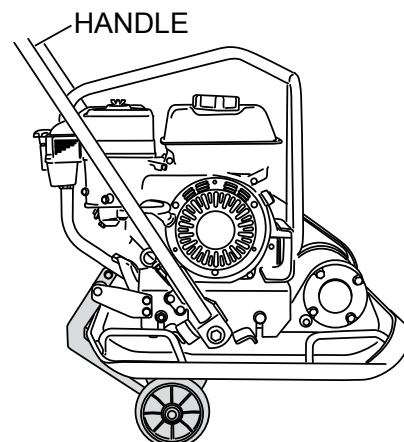


Figure 12. Transporting The Compactor

Axle Stowed Position (Operating Mode)

The following procedure details how to place the axle cart in the stowed position.

1. Push compactor handle forward tilting the compactor then pull out axle from under the plate (Figure 13).

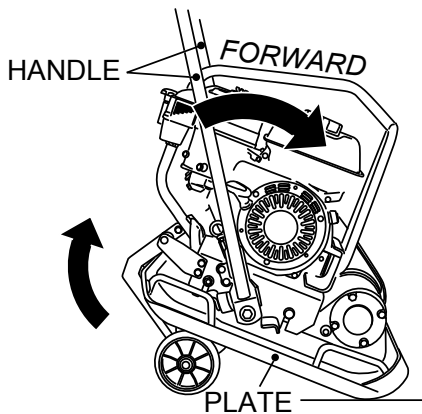


Figure 13. Tilting the Compactor

2. Once the wheels have been positioned away from the rear of the compactor, place your foot (Figure 14) under the axle bar and pull back axle until the wheels touch the ground.

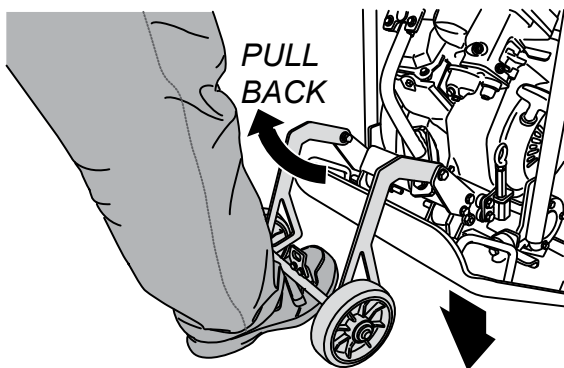


Figure 14. Pulling Back Axle (Foot)

3. With your hand, grab hold of the axle bar (Figure 15) and pull upwards. Continue pulling axle upwards until it is hooked to the stopper.

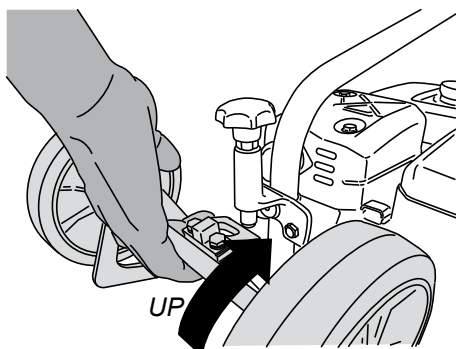


Figure 15. Positioning Axle (Stowed)

4. Pull lock knob up and down until the axle is held securely (Figure 16).

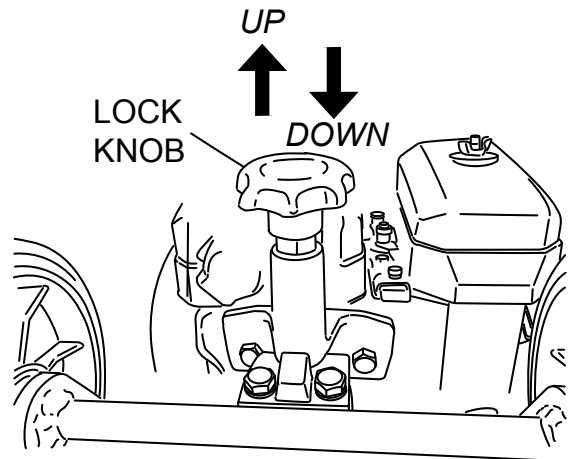


Figure 16. Locking Axle

5. Pull out the eye nut and turn 90° to the left to release the handle (Figure 17).

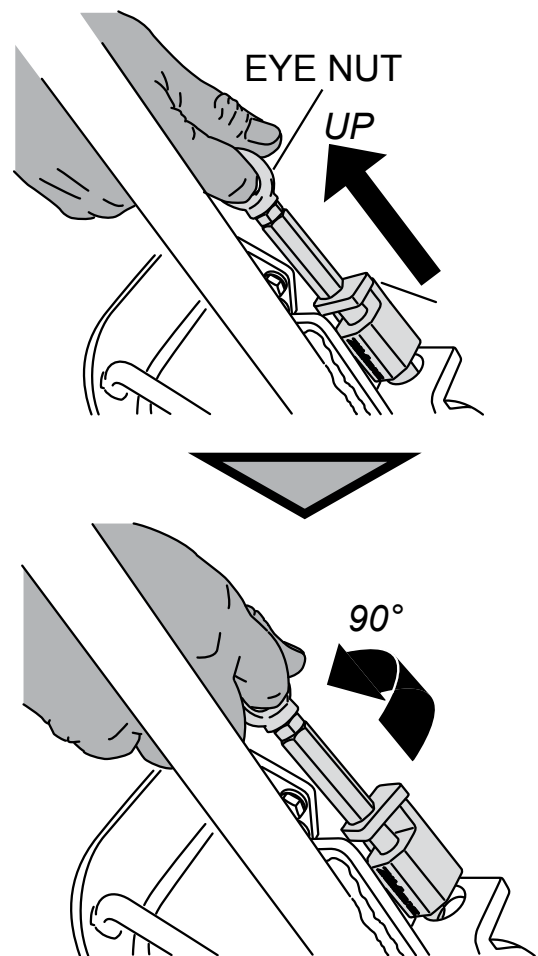


Figure 17. Releasing Handle

6. Compactor is now ready for use.



WHL82 Wheel Kit

Wheel Kit Installation Instructions

HERE'S HOW TO GET HELP

PLEASE HAVE THE MODEL AND SERIAL
NUMBER ON-HAND WHEN CALLING

UNITED STATES

Multiquip Corporate Office

18910 Wilmington Ave.
Carson, CA 90746
Contact: mq@multiquip.com

Tel. (800) 421-1244
Fax (310) 537-3927

Service Department

800-421-1244
310-537-3700

Technical Assistance

800-478-1244

Fax: 310-943-2238

MQ Parts Department

800-427-1244
310-537-3700

Fax: 800-672-7877

Warranty Department

800-421-1244
310-537-3700

Fax: 310-943-2249

CANADA

Multiquip

4110 Industriel Boul.
Laval, Quebec, Canada H7L 6V3
Contact: infocanda@multiquip.com

Tel: (450) 625-2244
Tel: (877) 963-4411
Fax: (450) 625-8664

UNITED KINGDOM

Multiquip (UK) Limited Head Office

Unit 2, Northpoint Industrial Estate,
Globe Lane,
Dukinfield, Cheshire SK16 4UJ
Contact: sales@multiquip.co.uk

Tel: 0161 339 2223
Fax: 0161 339 3226

© COPYRIGHT 2017, MULTIQUIP INC.

Multiquip Inc and the MQ logo are registered trademarks of Multiquip Inc. and may not be used, reproduced, or altered without written permission. All other trademarks are the property of their respective owners and used with permission.

The information and specifications included in this publication were in effect at the time of approval for printing. Illustrations, descriptions, references and technical data contained in this document are for guidance only and may not be considered as binding. Multiquip Inc. reserves the right to discontinue or change specifications, design or the information published in this publication at any time without notice and without incurring any obligations.

Your Local Dealer is:

