



WKT225A Wheel Kit

For Use On DA7000SS/W Portable Generator
and SDW225SS, SGW250SS Portable Welders

P/N: 29598

Installation Instructions

The following instructions are intended to assist the user in the assembly of the WKT225A Wheel Kit for use on Multiquip portable generators and welders. Please read the entire assembly instructions before assembling the wheel kit.

TOOLS:

- Flashlight
- Ratchet Set with 3/4", 9/16" sockets
- Adjustable Wrench or 3/4", 9/16", 10mm open end wrenches
- Lifting Device of adequate capacity
(See product documentation to determine individual equipment weight)

PARTS:

NO.	P/N	PART NAME	QTY.
1	29598	Instructions	1
2	15081	Grip, Handle	2
3	29579	Handle	2
4	29582	Stationary Axle	1
5	12333	Tire, EZ Mover	2
6	4542	Pin, Roll 3/16" x 1-1/4"	2
7	3264	Washer, Flat 1" SAE	4
8	8158	Pin, Cotter 3/6" x 1-1/2"	2
9	5218	Screw, HHC 1/2-13 x 1-1/2"	4
10	13211	Washer, Flat 1/2"	8
11	10176	Nut, Nylock 1/2-13	4
12	1023	Screw, HHC 3/8 x 1-1/4"	8
13	29569	Plate, Caster Mount	2
14	29574	Plate, Castor Adjustment	1
15	19829	Castor Wheel, Swivel w/Brake	2
16	10133	Nut, Nylock 3/8-16	8
17	29599	Bolt, HHCS M6-1.0 x 20mm	4
18	0181 B	Washer, Lock 20mm	4
19	0948	Washer, Flat 20mm	4

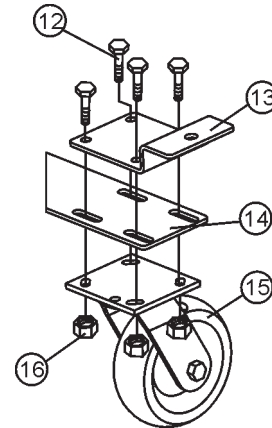


Figure 1. Castor Wheel Assembly

2. Assemble the stationary axle (Figure 2)- Push the roll pin through the inner axle hole. Slide a flat washer onto the axle shaft, then put the wheel on the axle. Push the wheel flat against the washer and roll pin and slide a flat washer against the wheel. Then insert the cotter pin through the outer axle hole to secure the wheel on the axle.

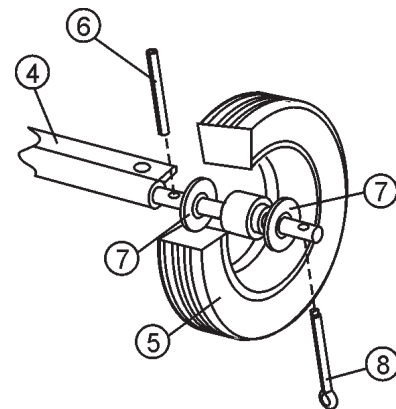


Figure 2. Stationary Axle Assembly

PROCEDURE:

1. Assemble the Caster wheels (Figure 1) - Place the Caster mount plate on the adjustment plate so the bolt holes line up. Insert bolts through the holes in the two plates and push the castor wheel onto the bolts. Loosely secure the castor wheel to the adjustment plate using the provided nuts to allow for adjustment when attaching the castor wheels to the cabinet. Repeat for the other side of the castor wheel assembly.

WARNING



DO NOT attempt to manually lift your generator/welder. Use a lifting device that is rated to handle the full weight of the equipment. **DO NOT** stand under the machine while it is suspended in air.



WKT225A Wheel Kit

For Use On DA7000SS/W Portable Generator
and SDW225SS, SGW250SS Portable Welders

P/N: 29598

3. Remove side covers to provide access to the interior of the cabinet. For SGW250SS welders, remove the cover located underneath the control panel to provide access to the cabinet interior (Figure 3).

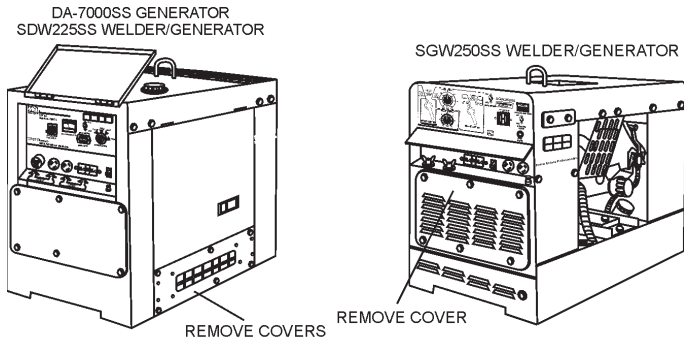


Figure 3. Remove Access Covers

4. Insert a lifting strap through the lifting eye on top of the machine and raise the generator/welder off the ground using a lifting device of adequate capacity (Figure 4). The generator/welder can be suspended in air while installing the wheel kit or can be set down on an object which can support the weight of the machine. Ensure the bottom of the cabinet has enough clearance to install the wheel kit.

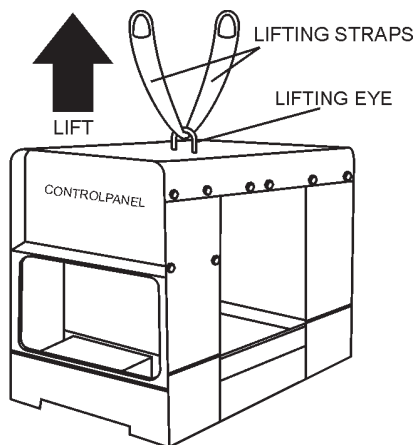


Figure 4. Lifting Equipment

CAUTION



Two people might be required to perform this installation procedure safely. One person should support the axle for another person to prevent the axle from dropping.

5. Locate the four bolt holes on the underside of the cabinet near the front and rear of the machine. Reach into the cabinet and place a bolt and washer through each hole (Figure 5). A flashlight might be necessary to find the bolt holes in the cabinet floor.

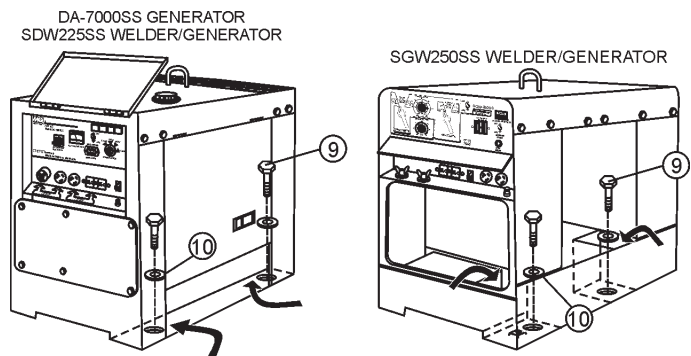


Figure 5. Insert Bolts/Washers through Cabinet Floor

6. With the stationary axle facing front, lift the axle up so the bolts in the cabinet floor pass through the bolt holes on the axle. Place a washer on the bolt under the axle and secure the axle to the cabinet with a nut (Figure 6).

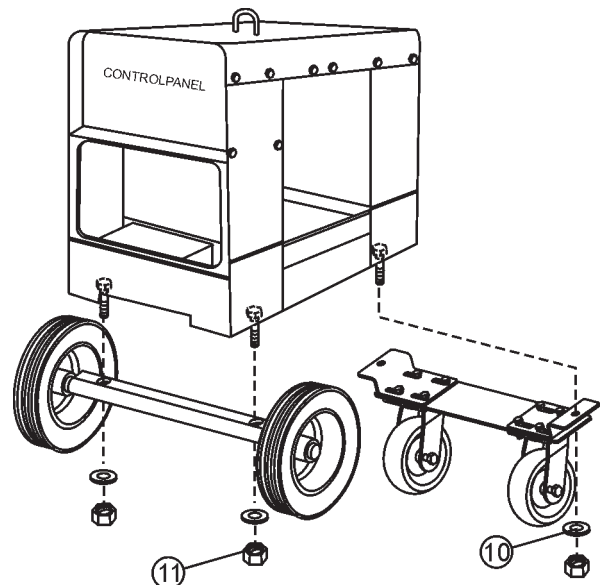


Figure 6. Secure Stationary Axle and Castor Wheel Assembly to Cabinet



WKT225A Wheel Kit

For Use On DA7000SS/W Portable Generator
and SDW225SS, SGW250SS Portable Welders

P/N: 29598

- Center the Caster Wheel assembly underneath the machine. Lift the Caster Wheels up so the bolts in the cabinet floor pass through the bolt holes on the caster wheel frame. Place a washer on the bolt under the castor wheel frame and secure the castor wheels to the cabinet with a nut (Figure 6).
- Lower the machine onto the ground and remove the lifting strap from the lifting eye. The machine should roll freely.

CAUTION



Lock the caster wheels in place with the attached brake lever when the generator/welder is not being moved to prevent the machine from unintentional rolling while in use.

- Near the top of the cabinet on the rear (control panel side) of the machine, remove the two bolts from the cabinet wall. Attach the handle to the cabinet wall by inserting a bolt, lock washer, and flat washer through the bottom two bolt holes on the handle into the cabinet (Figure 7). Repeat on the other side of the cabinet.

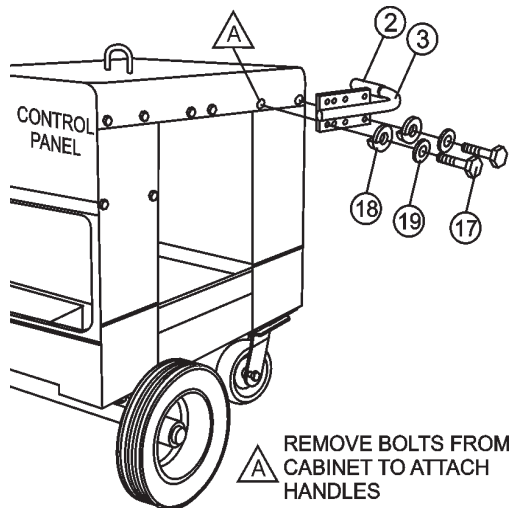


Figure 7. Attach Handles to Cabinet

HERE'S HOW TO GET HELP:

Parts Department - 800-427-1244
Service Department - 800-421-1244
Technical Assistance/ - 800-478-1244
Warranty Department



MULTIQUIP INC.

POST OFFICE BOX 6254 • CARSON, CA 90749
310-537-3700 • 800-421-1244 • FAX: 310-537-3927
E-MAIL: mq@multiquip.com • www.multiquip.com

Atlanta • Boise • Dallas • Houston • Newark
Montreal, Canada • Manchester, UK
Rio De Janeiro, Brazil • Guadalajara, Mexico