

PARTS MANUAL



MODEL WT5C/WTE5C/WT5CSG WATER TRAILERS (HONDA GX120UT2PX2 GASOLINE ENGINE) (QP2HLF CENTRIFUGAL PUMP)

Revision #10 (01/29/25)

To find the latest revision of this publication or associated operation manual, visit our website at: www.multiquip.com



THIS MANUAL MUST ACCOMPANY THE EQUIPMENT AT ALL TIMES.

PN 49859

**WT5C/WTE5C/WT5CSG
Water Trailer**

Explanation Of Code In Remarks Column..... 4
Suggested Spare Parts 5

Component Drawings

Nameplate And Decals 6-7
Water Tank Assembly 8-9
Engine Mounting And Hose Assembly..... 10-11
Manifold Assembly..... 12-13
Manifold Valve Assembly 14-15
Rear Spray Valve Assembly 16-17
Tank Cradle Mounting Assembly 18-19
Tank Cradle Assembly 20-21
Hydraulic Trailer Assembly 22-25
Electric Trailer Assembly 26-29

NOTICE
Specifications and part numbers are subject to change without notice.

EXPLANATION OF CODE IN REMARKS COLUMN

The following section explains the different symbols and remarks used in the Parts section of this manual. Use the help numbers found on the back page of the manual if there are any questions.

NOTICE

The contents and part numbers listed in the parts section are subject to change without notice. Multiquip does not guarantee the availability of the parts listed.

SAMPLE PARTS LIST

NO.	PART NO.	PART NAME	QTY.	REMARKS
1	12345	BOLT	1	INCLUDES ITEMS W/%
2%		WASHER, 1/4 IN.		NOT SOLD SEPARATELY
2%	12347	WASHER, 3/8 IN. ...	1	MQ-45T ONLY
3	12348	HOSE	A/R	MAKE LOCALLY
4	12349	BEARING	1	S/N 2345B AND ABOVE

NO. Column

Unique Symbols — All items with same unique symbol (@, #, +, %, or >) in the number column belong to the same assembly or kit, which is indicated by a note in the “Remarks” column.

Duplicate Item Numbers — Duplicate numbers indicate multiple part numbers, which are in effect for the same general item, such as different size saw blade guards in use or a part that has been updated on newer versions of the same machine.

NOTICE

When ordering a part that has more than one item number listed, check the remarks column for help in determining the proper part to order.

PART NO. Column

Numbers Used — Part numbers can be indicated by a number, a blank entry, or TBD.

TBD (To Be Determined) is generally used to show a part that has not been assigned a formal part number at the time of publication.

A blank entry generally indicates that the item is not sold separately or is not sold by Multiquip. Other entries will be clarified in the “Remarks” Column.

QTY. Column

Numbers Used — Item quantity can be indicated by a number, a blank entry, or A/R.

A/R (As Required) is generally used for hoses or other parts that are sold in bulk and cut to length.

A blank entry generally indicates that the item is not sold separately. Other entries will be clarified in the “Remarks” Column.

REMARKS Column

Some of the most common notes found in the “Remarks” Column are listed below. Other additional notes needed to describe the item can also be shown.

Assembly/Kit — All items on the parts list with the same unique symbol will be included when this item is purchased.

Indicated by:

“INCLUDES ITEMS W/(unique symbol)”

Serial Number Break — Used to list an effective serial number range where a particular part is used.

Indicated by:

“S/N XXXXX AND BELOW”

“S/N XXXX AND ABOVE”

“S/N XXXX TO S/N XXX”

Specific Model Number Use — Indicates that the part is used only with the specific model number or model number variant listed. It can also be used to show a part is NOT used on a specific model or model number variant.

Indicated by:

“XXXXX ONLY”

“NOT USED ON XXXX”

“Make/Obtain Locally” — Indicates that the part can be purchased at any hardware shop or made out of available items. Examples include battery cables, shims, and certain washers and nuts.

“Not Sold Separately” — Indicates that an item cannot be purchased as a separate item and is either part of an assembly/kit that can be purchased, or is not available for sale through Multiquip.

SUGGESTED SPARE PARTS

WT5C/WTE5C/WT6CSG WATER TRAILER WITHQP2HLF PUMP AND GX120U1PX2 HONDA ENGINE

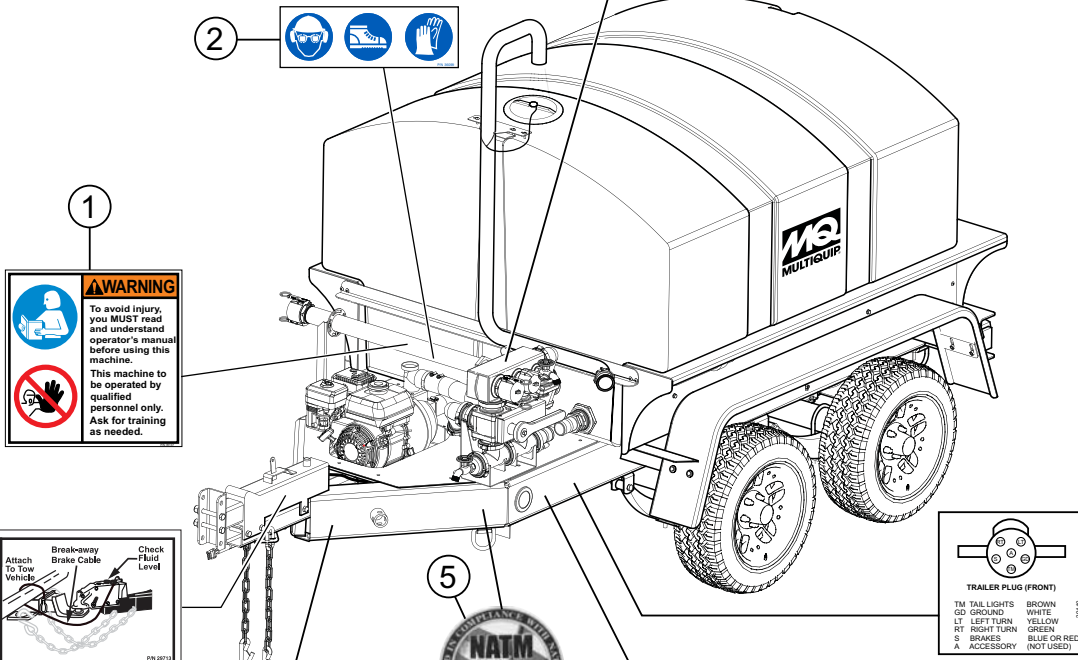
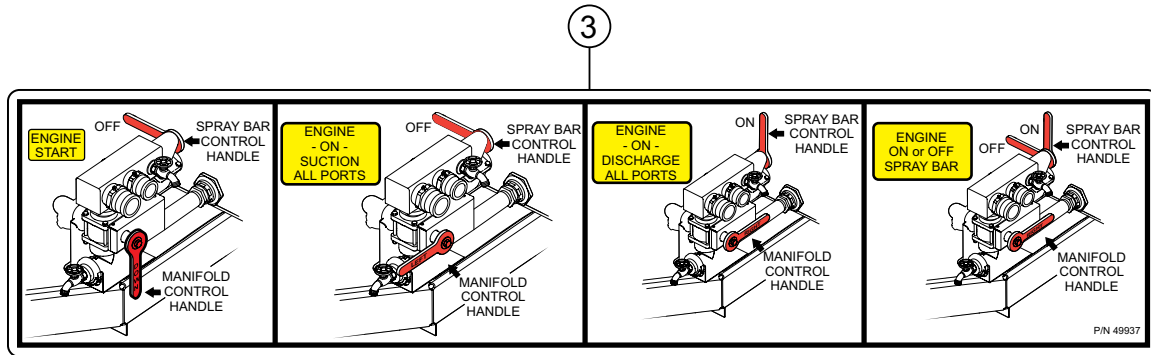
1 to 3 units

Qty.	P/N	Description
1.....	KIT204	KIT, PUMP, MECHANICAL SEAL, O-RINGS AND ADJ. LINERS
1.....	.0631211100ASSY.....	DRAIN CAP, FLOODING, W/ O-RING
2.....	.17210ZE0505	ELEMENT, AIR CLEANER, DUAL
3.....	.9807955855.....	SPARK PLUG
1.....	.28462ZH8003.....	ROPE, RECOIL STARTER
1.....	.17620Z0T305	CAP, FUEL W/ GASKET

NOTICE

Part numbers on this Suggested Spare Parts list may supersede/replace the part numbers shown in the following parts lists.

NAMEPLATE AND DECALS



WARNING

To avoid injury, you **MUST** read and understand operator's manual before using this machine.

This machine to be operated by qualified personnel only. Ask for training as needed.

WARNING

Trailer can roll if it comes loose. Safety brake applies when cable pulls brake lever.

1. ATTACH brake cable securely to tow vehicle so lever will be pulled if trailer separates.
2. CHECK brake fluid level.
3. DO NOT TOW trailer if brake fluid is NOT FULL.

Attach To Tow Vehicle Break-away Brake Cable Check Fluid Level

P/N 29213

TRAILER PLUG (FRONT)

TM	TAIL LIGHTS	BROWN
GD	GROUND	WHITE
LT	LEFT TURN	YELLOW
RT	RIGHT TURN	GREEN
S	BRAKES	BLUE OR RED
A	ACCESSORY	(NOT USED)

MANUFACTURED BY: FABRIKO P/N: MULTIGUIP INC. DATE:

QWR/LACH AXLE/ TIME (P/N) RPH (DATE) COLOR (P/N) PRESS (DATE) PRESS (DATE)

THE MODEL COMPLIES WITH ALL APPLICABLE FEDERAL, STATE AND LOCAL SAFETY REGULATIONS. THE DATE OF MANUFACTURE IS VERIFIABLE BY CONTACTING THE MANUFACTURER OR THE LOCAL REGULATORY AGENCY. THE MODEL COMPLIES WITH ALL APPLICABLE FEDERAL, STATE AND LOCAL SAFETY REGULATIONS. THE DATE OF MANUFACTURE IS VERIFIABLE BY CONTACTING THE MANUFACTURER OR THE LOCAL REGULATORY AGENCY.

THE MODEL COMPLIES WITH ALL APPLICABLE FEDERAL, STATE AND LOCAL SAFETY REGULATIONS. THE DATE OF MANUFACTURE IS VERIFIABLE BY CONTACTING THE MANUFACTURER OR THE LOCAL REGULATORY AGENCY.

V.I.S.S.V. 2016 TRANSIT

WARNING

Unhooking will cause trailer to come loose from tow vehicle. You must:

1. CHECK the full LOAD RATED in same as or greater than trailer LOAD RATING.
2. CHECK the full RATED in same as or greater than trailer LOAD RATING.
3. CHECK the full RATED in same as or greater than trailer LOAD RATING.
4. CHECK the full RATED in same as or greater than trailer LOAD RATING.
5. CHECK the full RATED in same as or greater than trailer LOAD RATING.

Always use safety chains. Chains hold trailer if connection fails. You must:

1. CROSS chains underneath coupler.
2. ALLOW slack for trailer to turn.
3. ATTACH chain hooks securely to tow vehicle frame.

Lighting must prevent trailer from being hit by other vehicles. You must:

1. CONNECT trailer and tow vehicle electrical connections.
2. CHECK all lights: tail lights, turn signal, and brake lights.
3. DO NOT TOW if lights are not working.

Try, wheel or lug nut tabs can cover front of control. Before towing, you must CHECK:

1. Tire pressure and tread.
2. Tire and wheel for damage.
3. Lug nuts for tightness. For one and two wheel, retighten lug nuts at the first 25 and 50 miles of driving.

Use only Shimano ONLY

TYPE AND MODEL INFORMATION

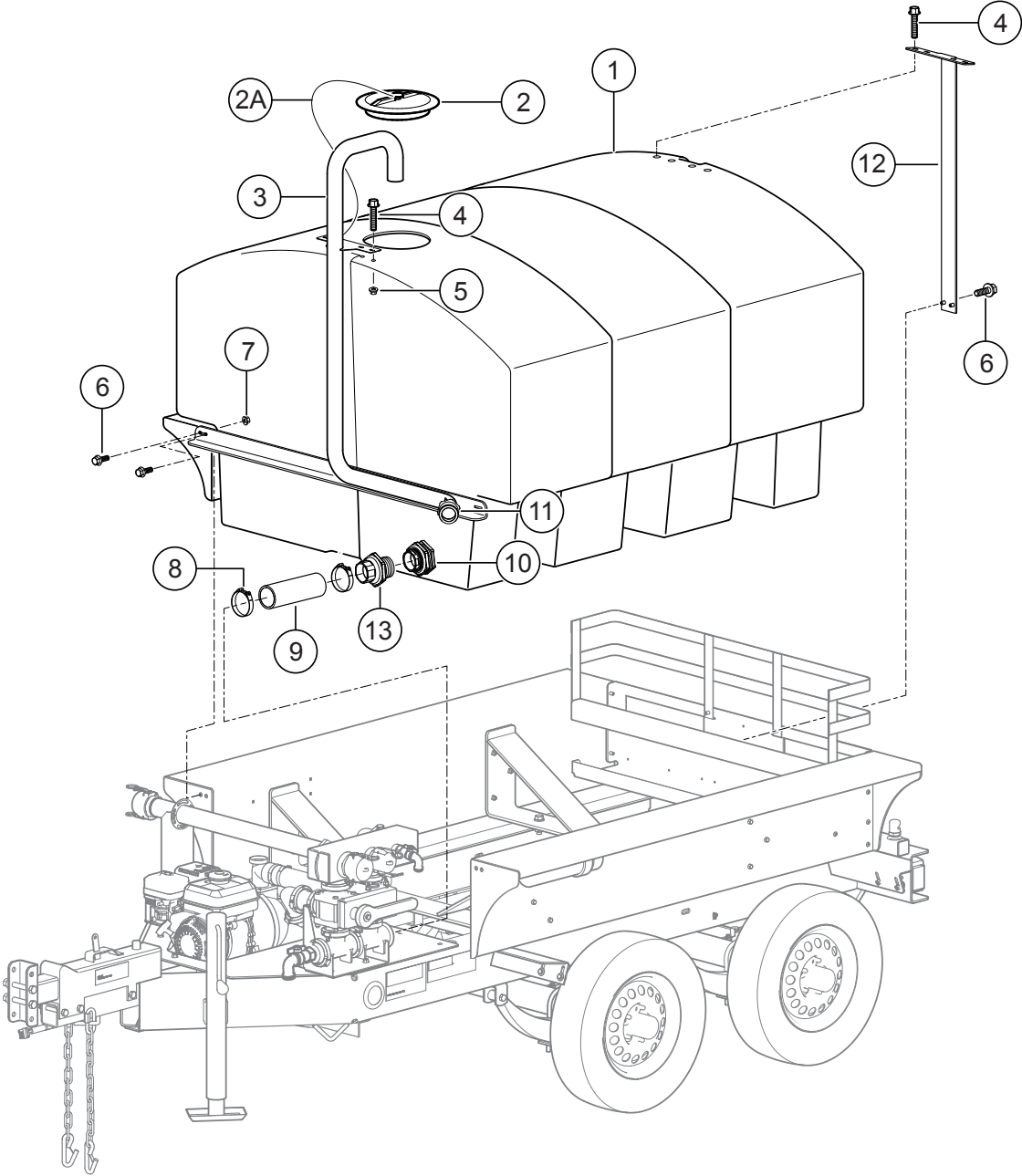
The height of this model is 42 inches (106.7 cm) at the top of the frame.

MODEL	WT55C	TYPE	WATER TRAILER
YEAR	2016	FRONT TIRE P/N	205/75R15
REAR TIRE P/N	205/75R15	REAR TIRE P/N	205/75R15
WEIGHT	1500 LBS	WEIGHT	1500 LBS
MAXIMUM LOAD	1500 LBS	MAXIMUM LOAD	1500 LBS
MAXIMUM TOWING SPEED	10 MPH	MAXIMUM TOWING SPEED	10 MPH

NAMEPLATE AND DECALS

<u>NO.</u>	<u>PART NO.</u>	<u>PART NAME</u>	<u>QTY.</u>	<u>REMARKS</u>
1	35137	DECAL, READ MANUAL ASK FR TRAINING 2.75"	1	
2	36099	DECAL, PROTECTIVE CLOTHING	1	
3	49937	DECAL, VALVE OPERATION, WTC	1	
4	29440	DECAL, PLUG WIRING	1	WTE5C ONLY
5	EE56342	DECAL, NATM COMPLIANCE	1	
6	49002	DECAL, TRLR HITCH/WHEEL WARNING	1	
7	EE56313	OVERLAY, VIN LABEL	1	
8	EE56314	OVERLAY, TIRE LABEL	1	
9		LABEL, VIN AND TIRE	1	CONTACT MQ PARTS DEPT.
10	29713	DECAL, BRAKE FLUID CHECK	1	

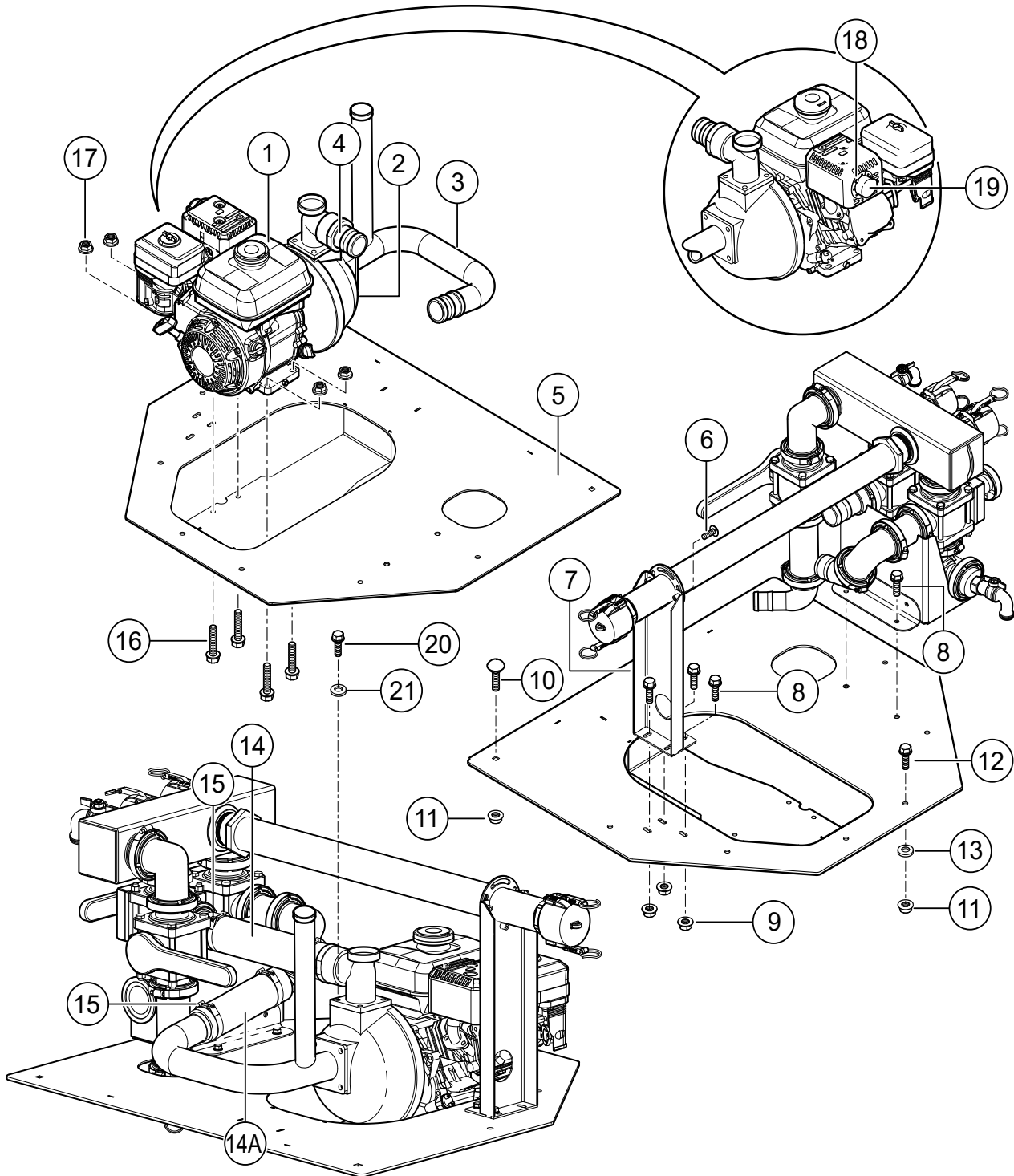
WATER TANK ASSY.



WATER TANK ASSY.

<u>NO.</u>	<u>PART NO.</u>	<u>PART NAME</u>	<u>QTY.</u>	<u>REMARKS</u>
1@		TANK, 500 GAL.	1.....	NOT SERVICED SEPARATELY
2@	49906	LID, TANK	1	
2A@	49910	LANYARD, LID	1	
3	49764-SK	KIT, WATER TRAILER FILL TUBE	1.....	INCLUDES ITEMS W/%
4	23619	SCREW, HHFS 1/4-20 X 1-1/4" ZP	4	
5@	34159	NUT, BLIND 1/4-20 BULB TYPE	8	
6	49048	SCREW, HHFS 1/4-20 x 3/4" GR5	6	
7	49070	NUT, FLANGED, 1/4-20 SERRATED PLTD	4	
8	49783	CLAMP, HOSE, BARREL, 2.2-2.5"	2	
9	59013	HOSE, RUBBER, 2", 125PSI 5.5" LONG	1	
10@	49768	FITTING, BULKHEAD, 2", BNJ	1	
11%	49672	FITTING, 2" FNPT X 2" M CAM & GROOVE	1	
12	49893	BRACKET TANK SUPPORT	1	
13@	49903	FITTING, 2" MNPT X 2" BARB TRIMMED	1	
14	49769-SK	TANK ASSY., 500 GAL.	1.....	INCLUDES ITEMS W/@

ENGINE MOUNTING AND HOSE ASSY.



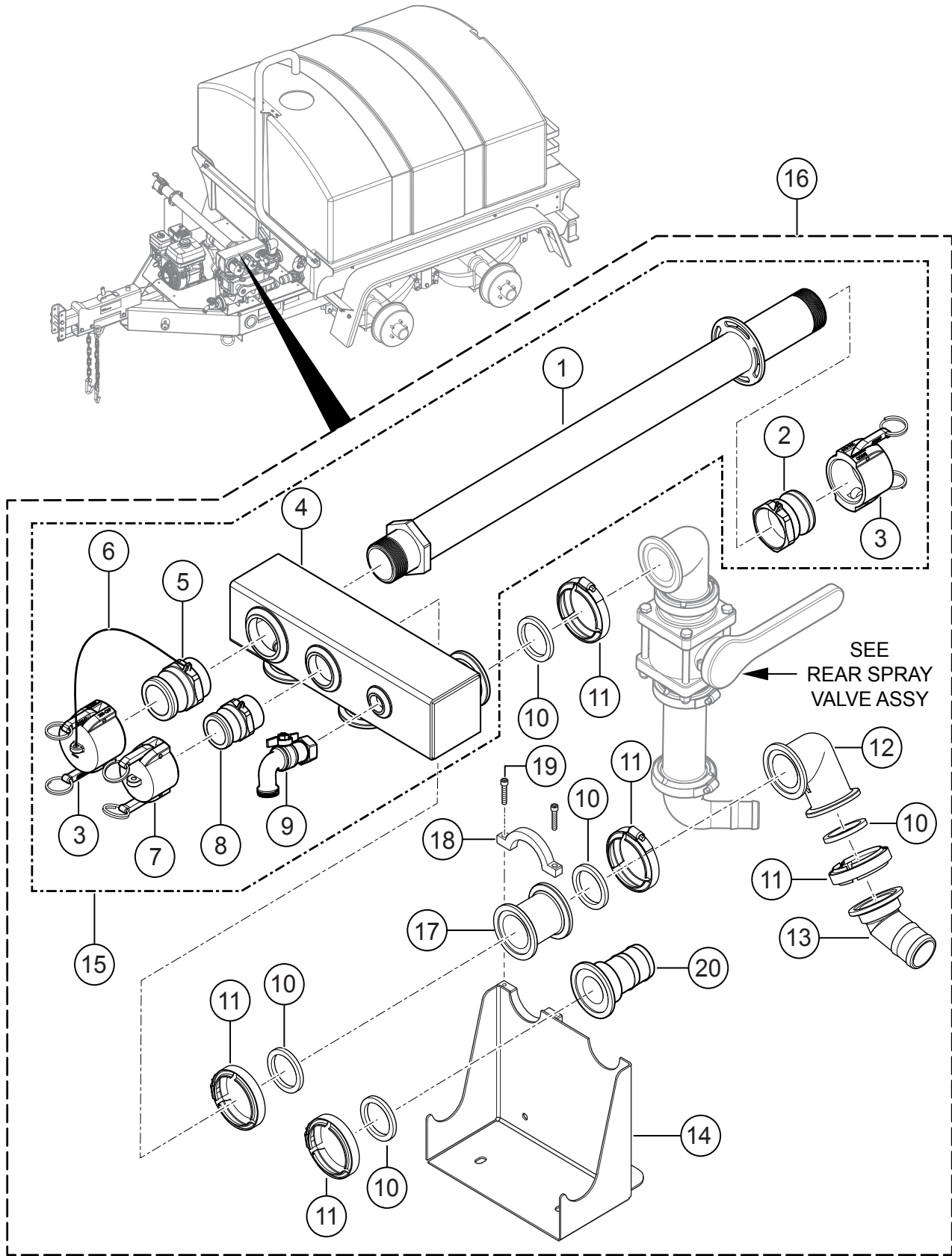
ENGINE MOUNTING AND HOSE ASSY.

<u>NO.</u>	<u>PART NO.</u>	<u>PART NAME</u>	<u>QTY.</u>	<u>REMARKS</u>
1#	GX120U1PX2	ENGINE, HONDA	1	
2♦	QP2HLF	PUMP, CENTRIFUGAL, LESS FRAME	1	INCLUDES ITEMS W/#
3	49761	PUMP INLET W/A, 2" BARB	1	
4	49762	FITTING, 2" NPSM X 2" BARB	1	
5	49939	DECK PLATE W/A	1	
5	49939-SG	DECK PLATE W/A, GREEN	1	WT5CSG ONLY
6	49048	SCREW, HHFS 1/4-20 X 3/4" GRD 5	3	
7	49743	SUPPORT, SIDE SPRAY, W/A	1	
8	9091	SCREW, HHFS 5/16-18 X 1", GR5	5	
9	49071	NUT, FLANGED 5/16-18 SERRATED PLTD	3	
10	23517	BOLT, CARRIAGE 3/8-16 X 1-1/4", GR5	2	
11	10133	NUT, NYLOC 3/8-16	8	
12	22106	SCREW, HHFS 3/8-16 X 1-1/4" ZINC	6	
13	3233	WASHER, FENDER, 1.5 OD X 3/8 ID	6	
14	59012	HOSE, RUBBER, 2", 125PSI 12" LONG	1	
14A	59015	HOSE, RUBBER, 2", 125PSI 8" LONG	1	
15	49783	CLAMP, HOSE, BARREL, 2.3-2.6	4	
16	21906	SCREW, HHFS 5/16-18 X 1-1/2" GRD 5	4	
17	49071	NUT, FLANGED 5/16-18 SERRATED PLTD	4	
18	1273	SCREW, HHWTC 8-32 X 3/8"	2	
19	1834	DEFLECTOR, HONDA EXHAUST, 5HP	1	
20	2866	SCREW, HHC M8-1.25 X 20 MM	8	
21	0161 C	WASHER, LOCK 5/16 MED.	8	

NOTICE

♦ REFER TO PUMP MANUAL FOR REPAIR AND SERVICE PARTS.

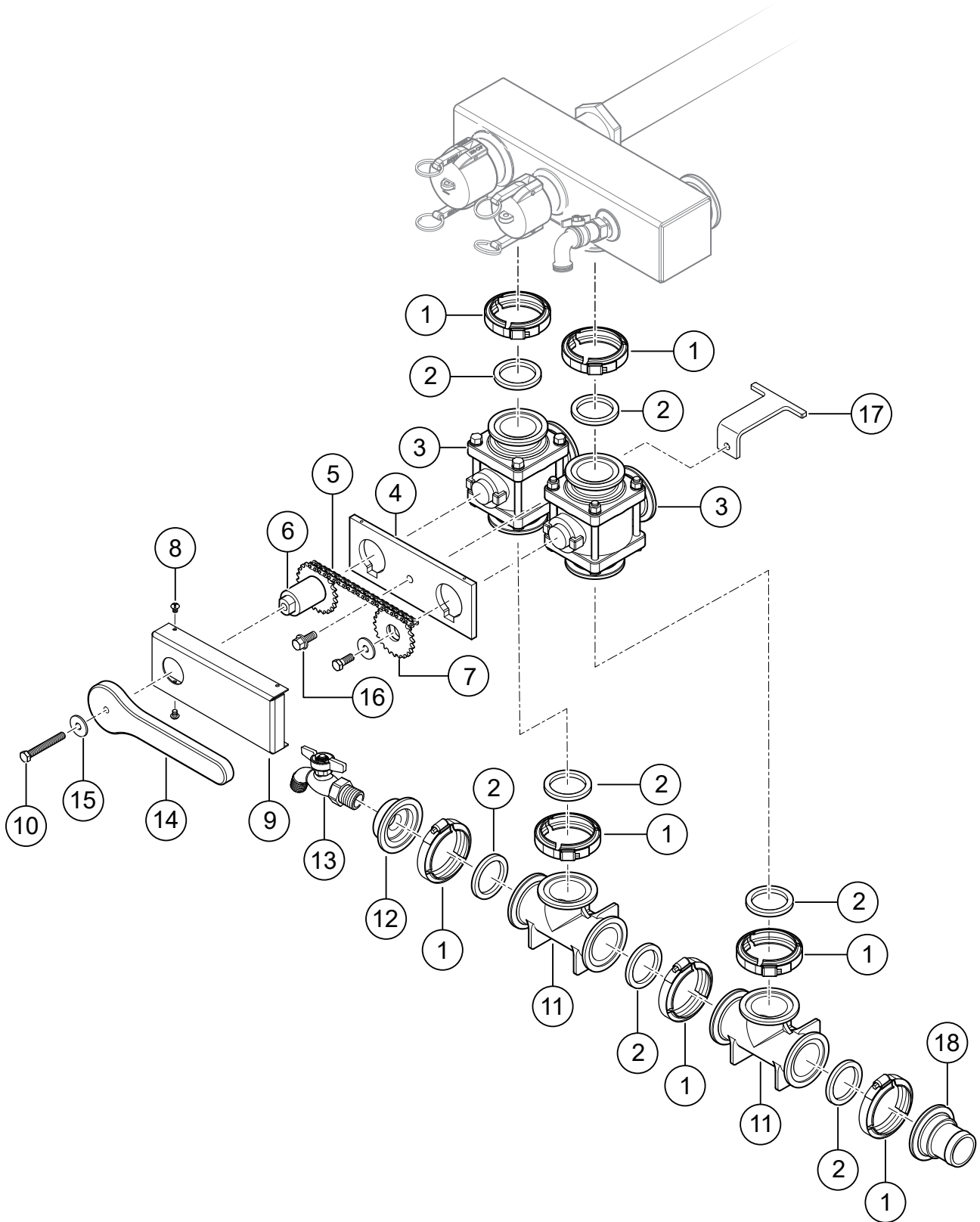
MANIFOLD ASSY.



MANIFOLD ASSY.

<u>NO.</u>	<u>PART NO.</u>	<u>PART NAME</u>	<u>QTY.</u>	<u>REMARKS</u>
1%#	49682	TUBE, SIDE SPRAY, W/A	1	
2%#	49672	FITTING, 2" FNPT X 2" M CAM LEVER	1	
3%#	49667	CAP, DUST, 2", CAM LEVER	2	
4%#	49675	MANIFOLD, UPPER,	1	
5%#	49671	FITTING, 2" MNPT X 2" M CAM LEVER	1	
6%#	49732	LANYARD, 11" POLY	3	
7%#	49668	CAP, DUST, 1-1/2", CAM LEVER	1	
8%#	49673	FITTING, 1-1/2" MNPT X 1-1/2" M CAM	1	
9%#	49683	HOSE BIB, 3/4" MNPT	1	
10#	49663	GASKET, 2" FP, EPDM, BNJ	5	
11#	49664	CLAMP, HOSE WORM, 2" FP, BNJ	5	
12#	49669	FITTING, 90°, 2" FP, BNJ	1	
13#	49774	FITTING, 45°, 2" FP X 2" BARB, BNJ	1	
14#	49904	MANIFOLD SUPPORT W/A	1	
15#	49731	MANIFOLD, UPPER, ASSY.	1	INCLUDES ITEMS W/%
16	49740	MANIFOLD, ASSY.	1	INCLUDES ITEMS W/#
17#	49735	FITTING, NIPPLE, BNJ2" FPX3" L.	1	
18#	49896	CLAMP, HALF, MANIFOLD , TOP	1	
19#	09689-010	SCREW, SHC 1/4-20 X 1-1/4"	2	
20#	49899	FITTING, 2" FP X 2" BARB, BNT	1	

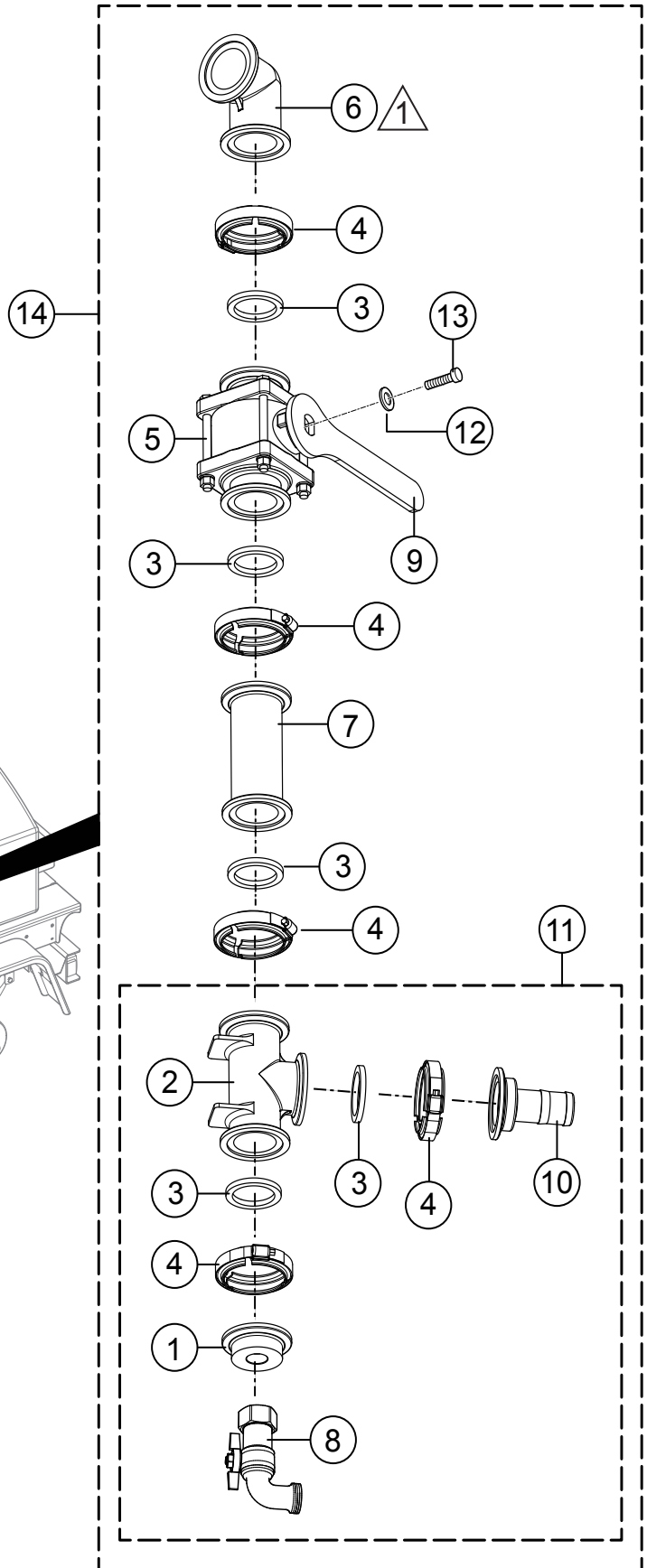
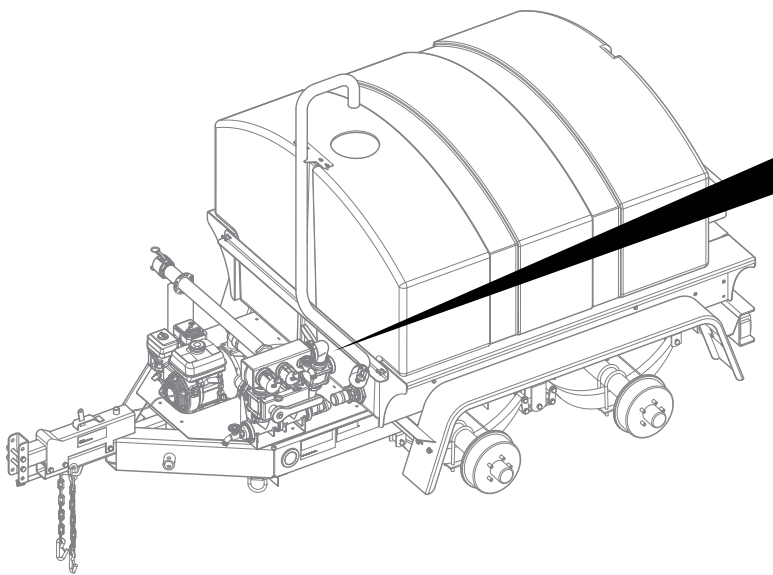
MANIFOLD VALVE ASSY.



MANIFOLD VALVE ASSY.

<u>NO.</u>	<u>PART NO.</u>	<u>PART NAME</u>	<u>QTY.</u>	<u>REMARKS</u>
1	49664	CLAMP, HOSE WORM, 2" FP, BNJ	7	
2	49663	GASKET, 2" FP, EPDM, BNJ	7	
3	49665	VALVE, 2" FP, 3 WAY, BOTTOM LOAD, BNJ	2	
4	49643	SEPARATOR PLATE, VALVE SELECTOR	1	
5	49738	CHAIN, ANSI HD35-1, 56P	1	
6	49642	SPROCKET W/A, DRIVE, VALVE SELEC.	1	
7	49640	SPROCKET W/A, DRIVEN, VAVLE SELEC.	1	
8	0304	SCREW, PHP 10-24 X 1/4" PLTD	4	
9	49647	GUARD, VALVE SELECTOR	1	
10	0169	SCREW, HHC 3/8-16 X 3"	1	
11	49662	FITTING, TEE, 2" FP, BNJ	2	
12	49660	FITTING, 2" FP X 3/4" FNPT, BNJ	1	
13	49683	HOSE BIB, 3/4" MNPT	1	
14	49907	HANDLE, VALVE 2" FP	1	
15	282901-001	WASHER, FENDER 3/8 X 1-1/4"	1	
16	23619	SCREW, HHFS 1/4-20 X 1-1/4', ZP	1	
17	49898	BRACKET, GUARD RETAINER	1	
18	49900	FITTING, 2"FPX 2" BARB, TRIMMED	1	

REAR SPRAY VALVE ASSY.



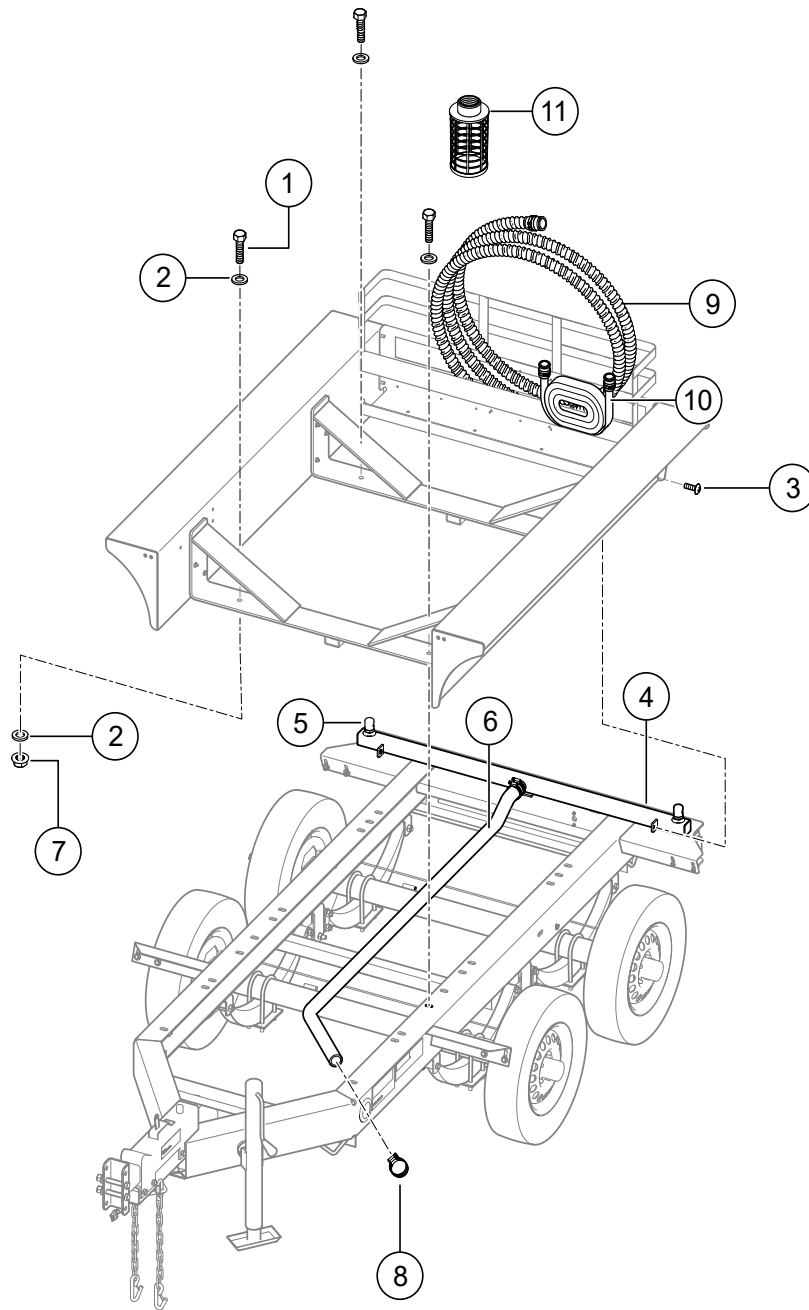
NOTES:

 LONG END TOWARD VALVE ITEM 4

REAR SPRAY VALVE ASSY.

<u>NO.</u>	<u>PART NO.</u>	<u>PART NAME</u>	<u>QTY.</u>	<u>REMARKS</u>
1#\$	49660	FITTING, 2" FP X 3/4" FNPT, BNJ	1	
2#\$	49662	FITTING, TEE, 2" FP, BNJ	1	
3#\$	49663	GASKET, 2" FP, EPDM, BNJ	5	
4#\$	49664	CLAMP, HOSE WORM, 2" FP, BNJ	5	
5#	49666	VALVE, 2" FP, BNJ	1	
6#	49669	FITTING, 90°, 2" FP, BNJ	1	
7#	49670	FITTING, NIPPLE, 2" FP X 6"L, BNJ	1	
8#\$	49683	HOSE BIB, 3/4 MNPT	1	
9#	49907	HANDLE, WT5C	1	
10#\$	59011	FITTING, 2" FP X 1-1/2 BARB, BNJ	1	
11#	49733-1	KIT, H2O, DISCHARGE.....	1	INCLUDES ITEMS W/\$
12#	28290-001	WASHER, FENDER, 3/8 X 1-1/4"	1	
13#	0169	SCREW, HHC 3/8-16 X 3"	1	
14	49733	VALVE ASSY., REAR SPRAY.....	1	INCLUDES ITEMS W/#

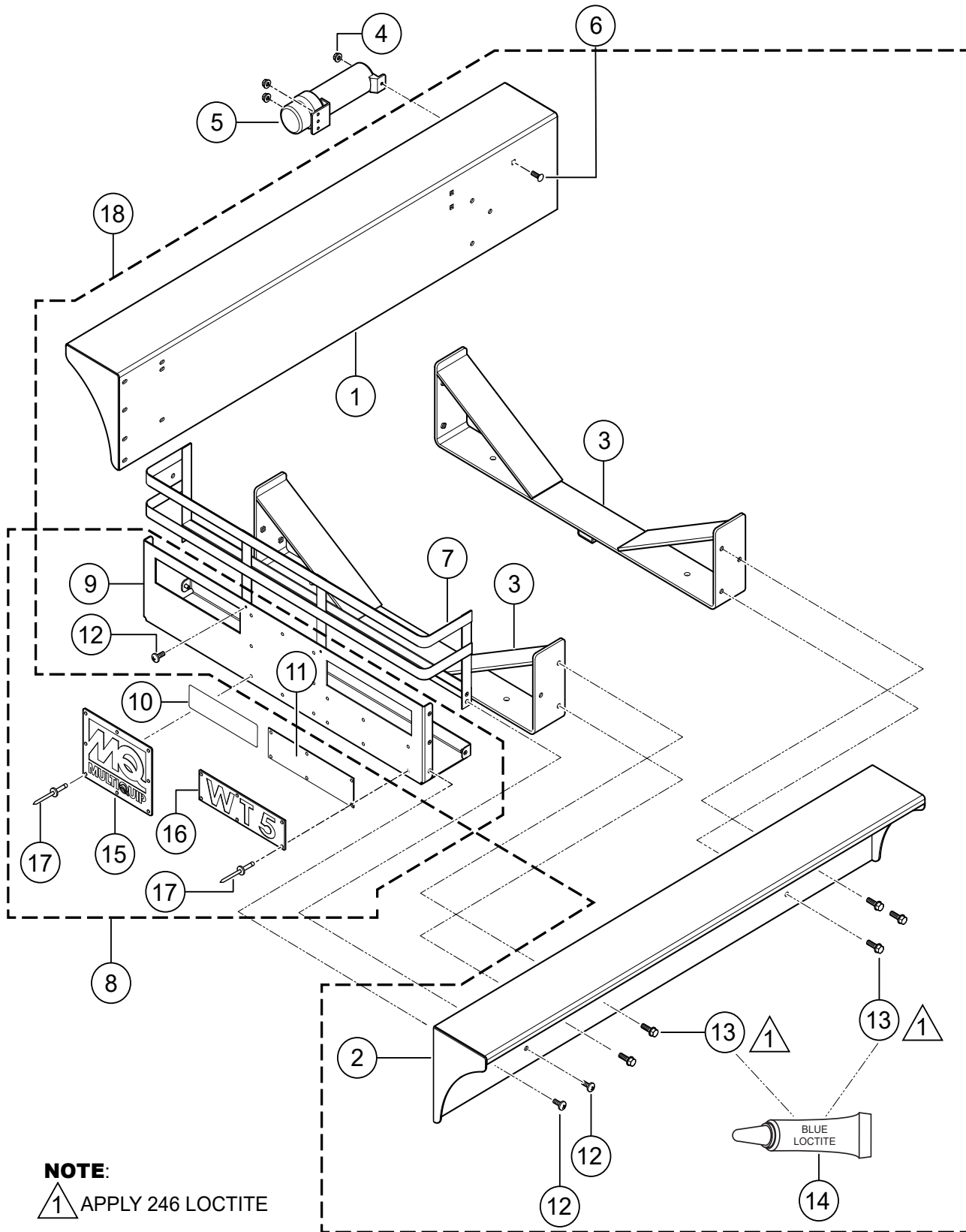
TANK CRADLE MOUNTING ASSY.



TANK CRADLE MOUNTING ASSY.

<u>NO.</u>	<u>PART NO.</u>	<u>PART NAME</u>	<u>QTY.</u>	<u>REMARKS</u>
1	915311	SCREW, HHC 5/8-11X2" GR8 YZ	4	
2	933246	WASHER, FLAT 5/8" SAE GRD9 YZ	8	
3	12287	SCREW, THP 1/4-20 X 3/4" SS	2	
4	49780	SPRAY BAR, REAR, W/A	1	
5	49781	NOZZLE, SPRAY, 3/4"	2	
6	59014	HOSE, RUBBER, 1-1/2", 125 PSI 7' LONG	1	
7	937188	NUT, NYLOC 5/8-11, GR8	4	
8	12277	CLAMP, HOSE WORM # 36	4	
9	HSQ220	HOSE, SUCTION, 2" X 20' QUICK COUP.	1	
10	HDQ250	HOSE, DISCHARGE, 2" X 50' QUICK COUP.	1	
11	0742303050	PLASTIC STRAINER	1	

TANK CRADLE ASSY.



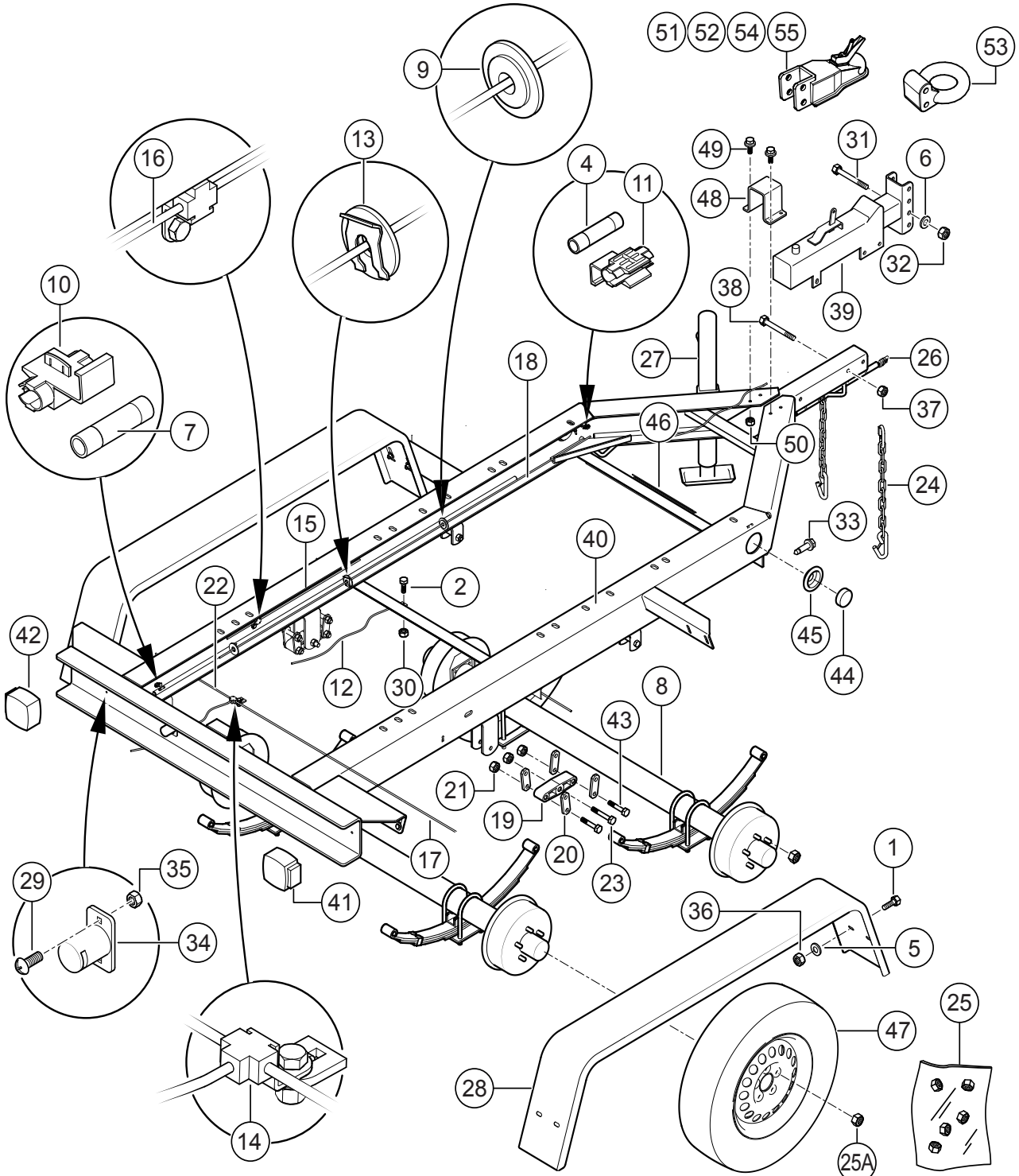
NOTE:

1 APPLY 246 LOCTITE

TANK CRADLE ASSY.

<u>NO.</u>	<u>PART NO.</u>	<u>PART NAME</u>	<u>QTY.</u>	<u>REMARKS</u>
1%	49635	CRADLE, SHELF, LH	1	
1@	49635-SG	CRADLE, SHELF, LH, GREEN.....	1.....	WT5CSG ONLY
2%	49634	CRADLE, SHELF, RH	1	
2@	49634-SG	CRADLE, SHELF, RH, GREEN.....	1.....	WT5CSG ONLY
3%	49629	CRADLE BASE	2	
3@	49629-SG	CRADLE BASE, GREEN.....	2.....	WT5CSG ONLY
4	49070	NUT, FLANGED 1/4-20 SERRATED PLTD	3	
5	23297	MANUAL HOLDER	1	
6	29712	BOLT, CARRIAGE 1/4-20 X 3/4"	3	
7%@	49622	BASKET, REAR, UPPER	1	
8	49626	BASKET, REAR, ASSY.	1.....	INCLUDES ITEMS W/#
8	49626-SG	BASKET, REAR, ASSY., GREEN.....	1.....	INCLUDES ITEMS W/\$
9%#	49625	BASKET, REAR, TRAY	1	
9\$@	49625-SG	BASKET, REAR, TRAY, GREEN.....	1.....	WT5CSG ONLY
10#	49618	DECAL, CRADLE BADGE	1	
10\$	59048	DECAL, CRADLE BADGE-SG.....	1.....	WT5CSG ONLY
11#\$	49624	BADGE, CRADLE, WT5, BACKING	1	
12%@	49048	SCREW, HHFS 1/4-20 X 3/4" GRD 5	14	
13%@	9091	SCREW, HHFS 5/16-18 X 1" GRD 5	12	
14	60097	LOCTITE, #246 BLUE	AR	
15#	49617	BADGE, CRADLE, REAR	1	
15\$	59047	BADGE, CRADLE, REAR -SG.....	1.....	WT5CSG ONLY
16#\$	49623	BADGE, CRADLE WT 5	1	
17#\$	19847	RIVET, POP, ALUM., 3/16" X 1/8"-1/4" GRIP	14	
18	49637	TANK CRADLE ASSY.	1.....	INCLUDES ITEMS W/%
18	49637-SG	TANK CRADLE ASSY., GREEN.....	1.....	INCLUDES ITEMS W/@ WT5CSG ONLY

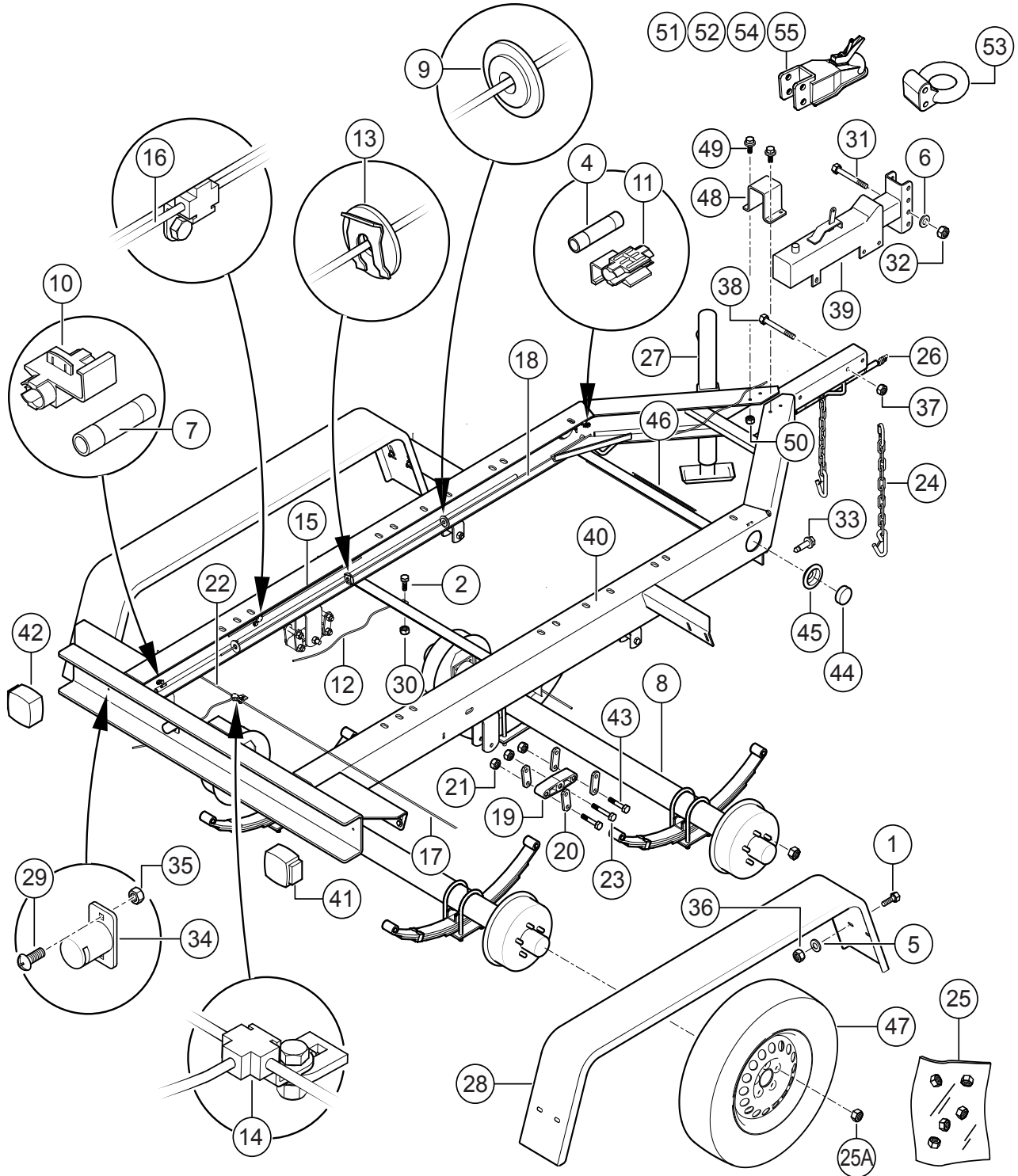
HYDRAULIC TRAILER ASSY.



HYDRAULIC TRAILER ASSY.

<u>NO.</u>	<u>PART NO.</u>	<u>PART NAME</u>	<u>QTY.</u>	<u>REMARKS</u>
1	0205	SCREW, HHC3/8-16 X 1"	8	
2	0655	SCREW, HHC 5/16-18 X 3/4"	3	
4	2540	CONNECTOR, BUTT SPLICE, 16-14	3	
5	4001	WASHER, FLAT USS 3/8 PLTD	16	
6	4684	WASHER, FLAT SAE 5/8 PLTD	2	
7	9512	INSULATOR, WIRING .50 DIA	8	
8	19070	AXLE, TRLR70 COMPLETE W/A	2	
9	19468	GROMMET,3/16 x 1/2ID Xx 1-1/4OD	1	
10	19761	TERMINAL, SPLICE 16-14 CLSD', BLUE	1	
11	19762	TERMINAL, SPLICE 16-14 CLSD', BRN/WHT	1	
12	19763	HOSE, DOT BRAKE, 3/16 X 19", MALE/FEM	3	
13	29226	TAB, SPRING LOCK TRLR70	3	
14	29227	TEE, BRAKE LINE 3/16 W/ STRAP	3	
15	29236	TUBE, BRAKE 5.5"	1	
16	29237	TUBE, BRAKE 3/16 X 20"	1	
17	29238	TUBE, BRAKE 3/16 x 41-1/2"	2	
18	29239	BRAKE LINE 74"	1	
19	29246	EQUALIZER, TANDEM AXLE	2	
20	29247	SHACKLE, AXLE MOUNTING	8	
21	29249	NUT, 9/16-18 AXLE MOUNTING N-2	14	
22	29251	TUBE, BRAKE 15"	2	
23	29248	SCREW, HHC 9/16-18 X 3.0, AXLE MOUNT	2	
24	49537	CHAIN, SAFETY TOWING, 6600 LB	2	
25	29755	KIT, LUG NUTS, 1/2-20 PLTD	1	INCLUDES ITEMS W/%
25A%	29194	NUT, LUG 1/2 - 20 TAPERED CONE, PLTD	20	
26	29784	HARNESS ASM 48" LOOM W/4 PIN CONN.	1	
27	49116	JACK, SWIVEL 15" LIFT, 5/8" PIN	1	
28	49842	FENDER, TANDEM 8" x 15.5" x 66"	2	
29	5065 B	SCREW, PHP 10-32 X 1/2"	4	
30	5283	NUT, NYLOC 5/16-18	3	

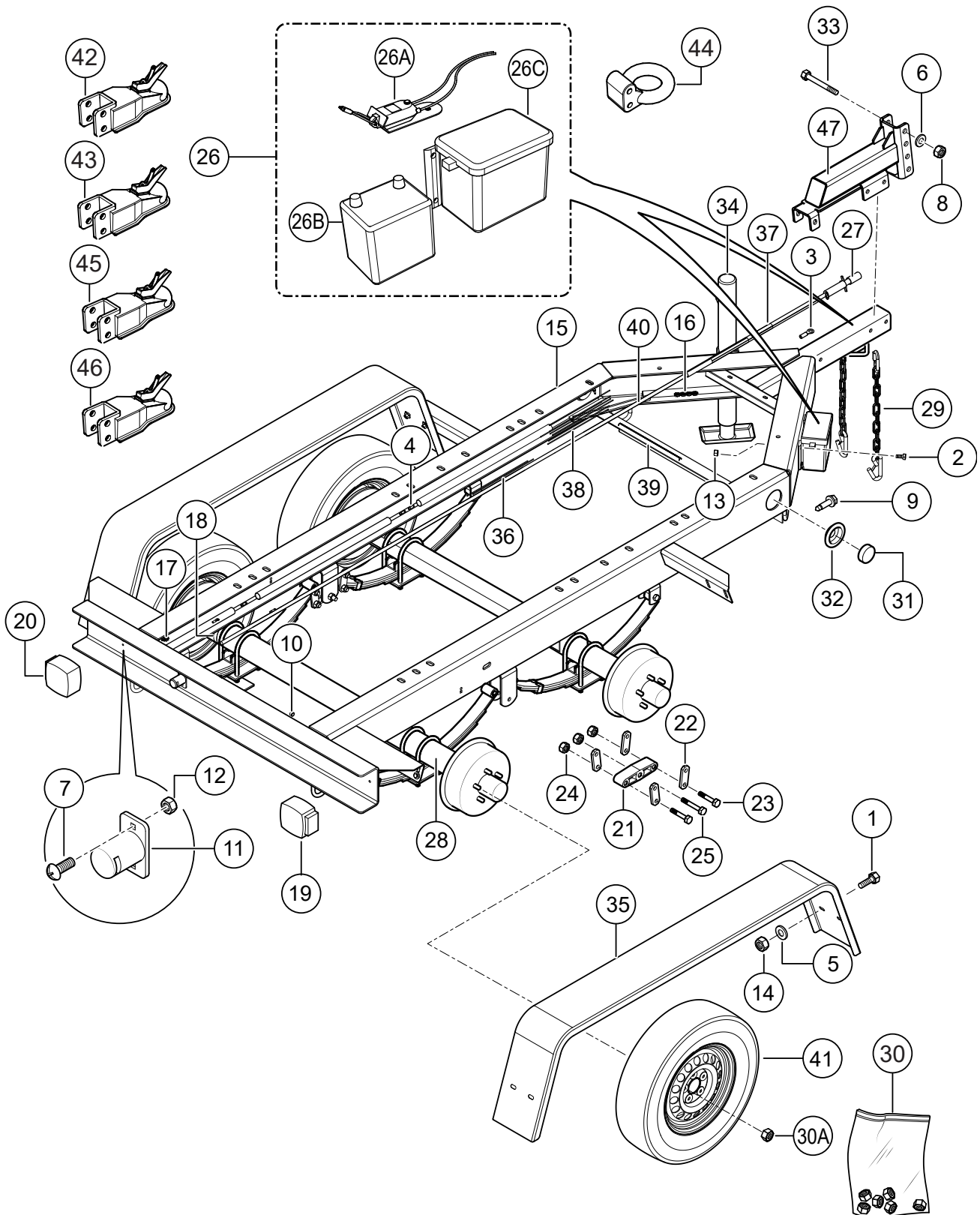
HYDRAULIC TRAILER ASSY. (CON'TD.)



HYDRAULIC TRAILER ASSY. (CON'TD.)

<u>NO.</u>	<u>PART NO.</u>	<u>PART NAME</u>	<u>QTY.</u>	<u>REMARKS</u>
31	37826	SCREW, HHC 5/8-11 X 4-3/4" GRD 8 YZ	2	
32	9503	NUT, NYLOC 5/8-11	2	
33	9509	SCREW, TEK 12 X 3/4 SELF TAP	3	
34	9514	LIGHT ASM, LICENSE PLATE	2	
35	10019	NUT, NYLOC 10-32	4	
36	10133	NUT, NYLOC 3/8-16	8	
37	10176	NUT, NYLOC 1/2-13	3	
38	10306	SCREW, HHC 1/2-13 X 4-1/2"	3	
39	19067	ACTUATOR, BRAKE DEMCO DA-91	1	
40	19748	FRAME W/A, TRLR70	1	
41	29242	LIGHT, TAIL RT (CURB) SIDE M440	1	
42	29243	LIGHT, TAIL LT (ROAD) SIDE M440L	1	
43	29248	SCREW, HHC 9/16-18 x 3"	12	
44	29898	LIGHT, 2-1/2 SIDE MARKER, AMBER	2	
45	29900	GROMMET W/WIRE KIT, 2-1/2"	2	
46	60018	WIRE, 16 GA. BROWN, SAE J1128	4	1PC = 1FT
47	EE44304	WHEEL ASSY., ST205/75D-14 L/R,"C"	4	
48	49975	BRAKE HOSE COVER, BOLT- ON	1	
49	49048	SCREW, HHFS 1/4 - 20 X 3/4" GRD 5	4	
50	49070	NUT, FLANGED 1/4 - 20 SERRATED PLTD	4	
51	EE43253	HITCH, BALL, 2-5/16" (STANDARD)	1	CONTACT UNIT SALES DEPT.
52	29228	HITCH, BALL, 2" ADJUSTABLE (OPTION)	1	CONTACT UNIT SALES DEPT.
53	29369	HITCH, PINTLE, 3" ADJUSTABLE(OPTION)	1	CONTACT UNIT SALES DEPT.
54	EE56638	HITCH, BULLDOG, 2-5/16" BALL, ADJ. (OPT.)	1	CONTACT UNIT SALES DEPT.
55	EE57033	HITCH, BULLDOG, 2" BALL, ADJ. (OPT.)	1	CONTACT UNIT SALES DEPT.

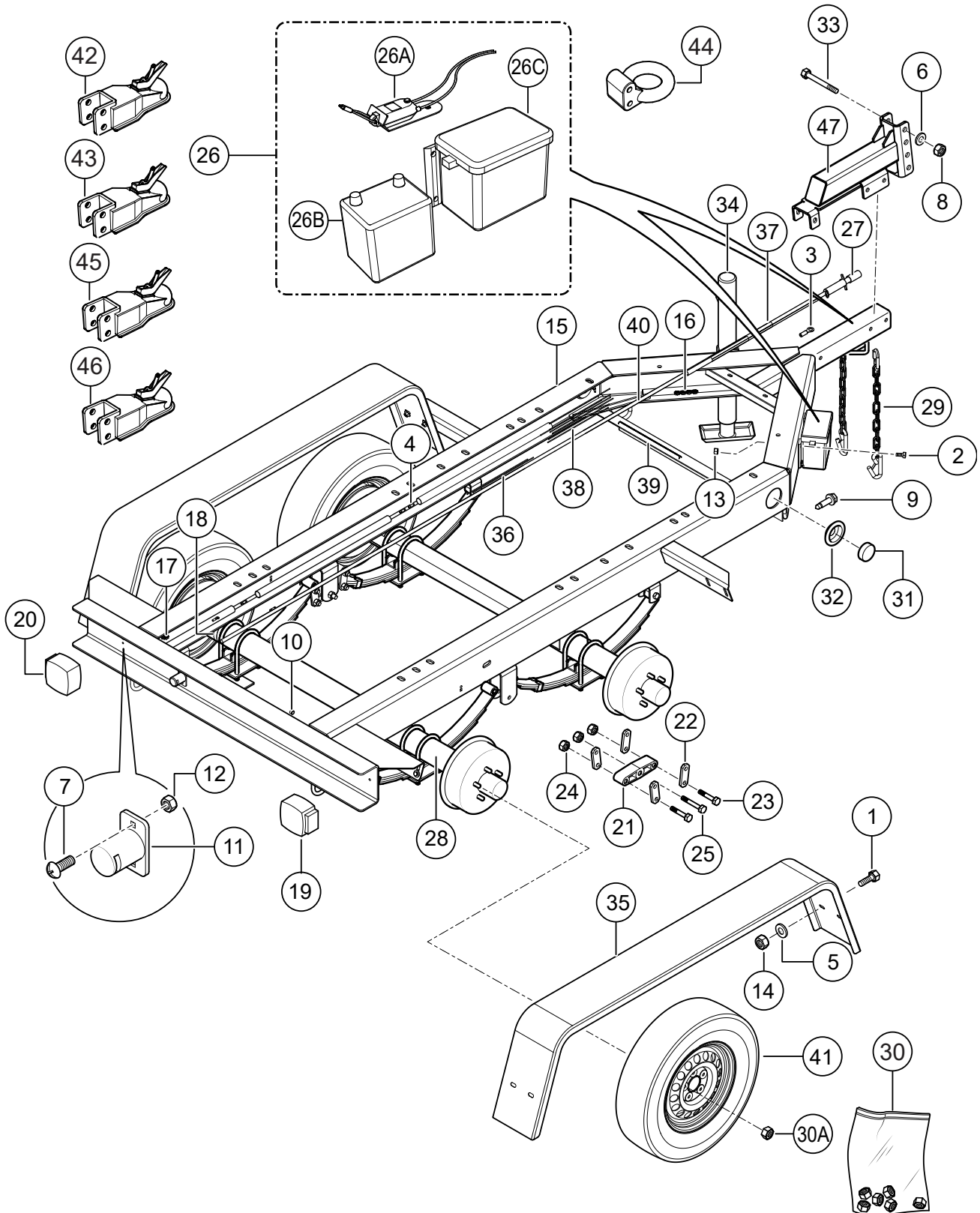
ELECTRIC TRAILER ASSY.



ELECTRIC TRAILER ASSY.

<u>NO.</u>	<u>PART NO.</u>	<u>PART NAME</u>	<u>QTY.</u>	<u>REMARKS</u>
1	205	SCREW, HHC 3/8-16 X1.0	8	
2	730	SCREW, HHC 1/4-20 X 1	4	
3	1319	TERMINAL, RING 16-14 1/4" LOOP	2	
4	2540	CONNECTOR, BUTT SPLICE, 16-14	4	
5	4001	WASHER, FLAT USS 3/8 PLD	16	
6	4684	WASHER, FLAT SAE 5/8 PLTD	2	
7	5065 B	SCREW, PHP 10-32 X 1/2	4	
8	9503	NUT, NYLOC 5/8-11	2	
9	9509	SCREW, TEK 12 X 3/4 SELF TAP	4	
10	9512	INSULATOR, WIRING .50 DIA	4	
11	9514	LIGHT ASM, LICENSE PLATE	2	
12	10019	NUT, NYLOC 10-32	4	
13	10024	NUT, NYLOC 1/4-20	4	
14	10133	NUT, NYLOC 3/8-16	8	
15	19748E	FRAME W/A, TRLR70WE	1	
16	19761	TERM., SPLICE 16-14 CLOSED, BLUE	4	
17	19762	TERM., SPLICE 16-14 CLOSED, BRN/WHT	1	
18	29218	CLAMP, HOSE WORM, 2-1/2" TO 3-1/2"	2	
19	29242	LIGHT, TAIL RT (CURB) SIDE M440	1	
20	29243	LIGHT, TAIL LH (ROAD) SIDE	1	
21	29246	EQUALIZER, TANDEM AXLE	2	
22	29247	SHACKLE, AXLE MOUNTING	8	
23	29248	SCREW, HHC 9/16-18	12	
24	29249	NUT, 9/16-18 AXLE MOUNTING N-2	14	
25	29317	SCREW, 9/16 X 3-1/2 AXLE MOUNTING	2	
26	29366	KIT, BREAK-AWAY, TRAILER 70	1	INCLUDES ITEMS W/#
26A#	EE43519	SWITCH, BREAK-AWAY, KIT	1	
26B#	EE57140	BATTERY, BREAK-AWAY, KIT	1	
26C#	EE57141	BOX, BATTERY, BREAK-AWAY, KIT	1	
27	29367	PLUG/SPRING, 6 POLE TRAILER	1	
27	EE55622	7-PIN CONNECTOR.....	1	OPTION
28	29396	AXLE ASM, 3500 LB W/ELEC BRAKE	2	
29	49537	CHAIN, SAFETY TOWING, 6600 LB	2	
30	29755	KIT, LUG NUTS, 1/2-20 PLTD	1	INCLUDES ITEMS W/%
30A%	29194	NUT, LUG 1/4-20 TAPPED CONE, PLTD	20	
31	29898	LIGHT, 2-1/2 SIDE MARKER, AMBER	2	
32	29900	GROMMET W/WIRE KIT, 2-1/2", 14218K	2	
33	37826	SCREW, HHC 5/8-11 X 4-3/4 GRD 8 YZ	2	
34	49116	JACK, SWIVEL 15" LIFT, 5/8" PIN	1	
35	49842	FENDER, TANDEM 8 x 15.5 x 65.25	2	
36	60018	WIRE, 16 GA. BROWN, SAE J1128	4	
37	60037	LOOM, 5/8 DIA HI-TEMP, BLK	3	
38	60043	WIRE, 16GA GREEN, SAE J1128	7	

ELECTRIC TRAILER ASSY. (CON'TD.)



ELECTRIC TRAILER ASSY. (CON'TD.)

<u>NO.</u>	<u>PART NO.</u>	<u>PART NAME</u>	<u>QTY.</u>	<u>REMARKS</u>
39	60221	LOOM, .375 SPLIT	5	
40	60257	WIRE, TRAILER, 6 COND. 14 GA.....	19.....	1PC=1FT
41	EE44304	WHEEL ASSY, ST205/75D-14 L/R,"C"	4	
42	EE43253	HITCH, BALL 2-5/16" (STANDARD).....	1.....	CONTACT UNIT SALES DEPT.
43	29228	HITCH, BALL 2" ADJUSTABLE (OPTION).....	1.....	CONTACT UNIT SALES DEPT.
44	29369	HITCH, PINTLE 3" ADJUSTABLE, (OPTION) ...	1.....	CONTACT UNIT SALES DEPT.
45	EE56638	HITCH, BULLDOG, 2-5/16" BALL, ADJ. (OPT.)	1.....	CONTACT UNIT SALES DEPT.
46	EE57033	HITCH, BULLDOG, 2" BALL, ADJ. (OPT.).....	1.....	CONTACT UNIT SALES DEPT.
47	59393	W/A HITCH ADAPTER SADDLE MOUNT	1	

PARTS MANUAL

HERE'S HOW TO GET HELP

PLEASE HAVE THE MODEL AND SERIAL
NUMBER ON-HAND WHEN CALLING

UNITED STATES

Multiquip Inc.

(310) 537- 3700
6141 Katella Avenue Suite 200
Cypress, CA 90630
E-MAIL: mq@multiquip.com
WEBSITE: www.multiquip.com

CANADA

Multiquip

(450) 625-2244
4110 Industriel Boul.
Laval, Quebec, Canada H7L 6V3
E-MAIL: infocanada@multiquip.com

UNITED KINGDOM

Multiquip (UK) Limited Head Office

0161 339 2223
Unit 2, Northpoint Industrial Estate, Globe Lane,
Dukinfield, Cheshire SK16 4UJ
E-MAIL: sales@multiquip.co.uk

© COPYRIGHT 2025, MULTIQUIP INC.

Multiquip Inc. and the MQ logo are registered trademarks of Multiquip Inc. and may not be used, reproduced, or altered without written permission. All other trademarks are the property of their respective owners and used with permission.

This manual MUST accompany the equipment at all times. This manual is considered a permanent part of the equipment and should remain with the unit if resold.

The information and specifications included in this publication were in effect at the time of approval for printing. Illustrations, descriptions, references and technical data contained in this manual are for guidance only and may not be considered as binding. Multiquip Inc. reserves the right to discontinue or change specifications, design or the information published in this publication at any time without notice and without incurring any obligations.



PN: 49859