

PARTS MANUAL



MODEL_s

WT5HP

WTE5HP

WT5HP_{SG}

WATER TRAILERS

(HONDA GX160U1TX2NH1 GASOLINE ENGINE)

(QP205SHLF HIGH PRESSURE CENTRIFUGAL PUMP)

Revision #9 (01/29/25)

To find the latest revision of this publication or associated operation manual, visit our website at: www.multiquip.com



THIS MANUAL MUST ACCOMPANY THE EQUIPMENT AT ALL TIMES.

PN 59249

TABLE OF CONTENTS

WT5HP/WTE5HP/WT5HPSG Water Trailers

Explanation Of Code In Remarks Column..... 4
Suggested Spare Parts 5

Component Drawings

Nameplate And Decals Assembly..... 6-7
Water Tank Assembly 8-9
Engine Mounting And Hose Assembly..... 10-11
Manifold Assembly..... 12-13
Hose Reel Assembly 14-15
Manifold Valve Assembly 16-17
Rear Spray Valve Assembly 18-19
Tank Cradle Mounting Assembly 20-21
Tank Cradle Assembly 22-23
Hydraulic Trailer Assembly 24-27
Electric Trailer Assembly 28-31

NOTICE
Specifications and part numbers are subject to change without notice.

EXPLANATION OF CODE IN REMARKS COLUMN

The following section explains the different symbols and remarks used in the Parts section of this manual. Use the help numbers found on the back page of the manual if there are any questions.

NOTICE

The contents and part numbers listed in the parts section are subject to change without notice. Multiquip does not guarantee the availability of the parts listed.

SAMPLE PARTS LIST

| NO. | PART NO. | PART NAME | QTY. | REMARKS |
|-----|----------|----------------------|------|---------------------|
| 1 | 12345 | BOLT | 1 | INCLUDES ITEMS W/% |
| 2% | | WASHER, 1/4 IN. | | NOT SOLD SEPARATELY |
| 2% | 12347 | WASHER, 3/8 IN. ... | 1 | MQ-45T ONLY |
| 3 | 12348 | HOSE | A/R | MAKE LOCALLY |
| 4 | 12349 | BEARING | 1 | S/N 2345B AND ABOVE |

NO. Column

Unique Symbols — All items with same unique symbol (@, #, +, %, or >) in the number column belong to the same assembly or kit, which is indicated by a note in the “Remarks” column.

Duplicate Item Numbers — Duplicate numbers indicate multiple part numbers, which are in effect for the same general item, such as different size saw blade guards in use or a part that has been updated on newer versions of the same machine.

NOTICE

When ordering a part that has more than one item number listed, check the remarks column for help in determining the proper part to order.

PART NO. Column

Numbers Used — Part numbers can be indicated by a number, a blank entry, or TBD.

TBD (To Be Determined) is generally used to show a part that has not been assigned a formal part number at the time of publication.

A blank entry generally indicates that the item is not sold separately or is not sold by Multiquip. Other entries will be clarified in the “Remarks” Column.

QTY. Column

Numbers Used — Item quantity can be indicated by a number, a blank entry, or A/R.

A/R (As Required) is generally used for hoses or other parts that are sold in bulk and cut to length.

A blank entry generally indicates that the item is not sold separately. Other entries will be clarified in the “Remarks” Column.

REMARKS Column

Some of the most common notes found in the “Remarks” Column are listed below. Other additional notes needed to describe the item can also be shown.

Assembly/Kit — All items on the parts list with the same unique symbol will be included when this item is purchased.

Indicated by:

“INCLUDES ITEMS W/(unique symbol)”

Serial Number Break — Used to list an effective serial number range where a particular part is used.

Indicated by:

“S/N XXXXX AND BELOW”

“S/N XXXX AND ABOVE”

“S/N XXXX TO S/N XXX”

Specific Model Number Use — Indicates that the part is used only with the specific model number or model number variant listed. It can also be used to show a part is NOT used on a specific model or model number variant.

Indicated by:

“XXXXX ONLY”

“NOT USED ON XXXX”

“Make/Obtain Locally” — Indicates that the part can be purchased at any hardware shop or made out of available items. Examples include battery cables, shims, and certain washers and nuts.

“Not Sold Separately” — Indicates that an item cannot be purchased as a separate item and is either part of an assembly/kit that can be purchased, or is not available for sale through Multiquip.

SUGGESTED SPARE PARTS

WT5HP/WTE5HP WATER TRAILER WITH QP205SHLF PUMP AND GX160U1TX2NH1 HONDA ENGINE

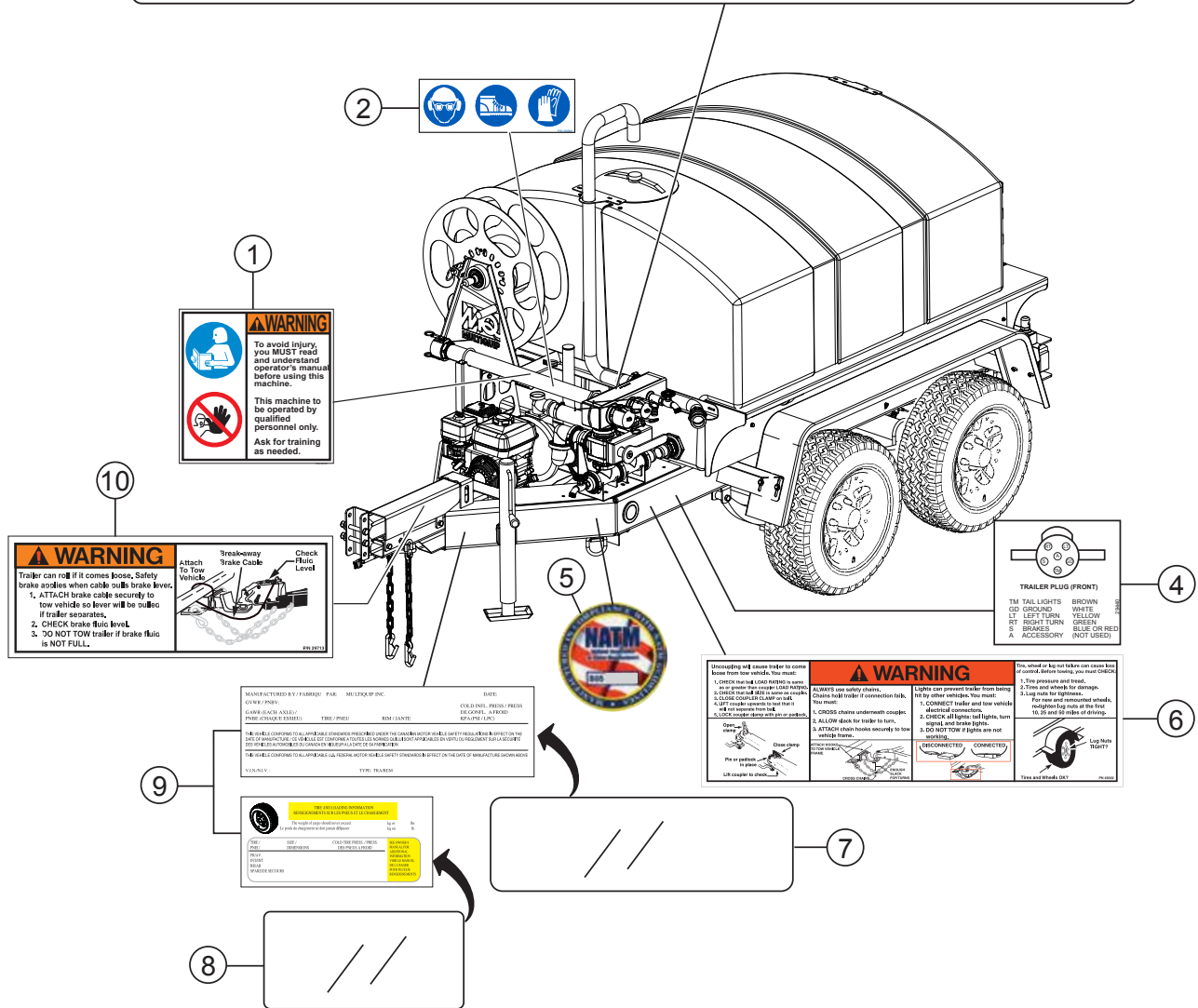
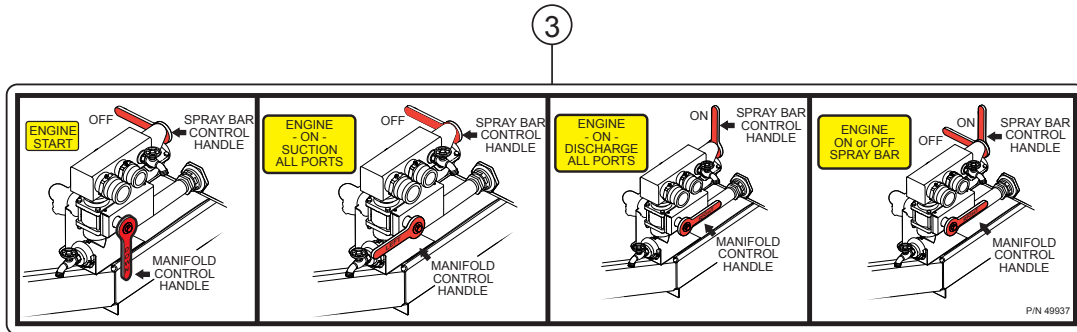
1 to 3 units

| Qty. | P/N | Description |
|--------|----------------------|----------------------|
| 1..... | KIT205..... | MECHANICAL SEAL KIT |
| 1..... | .0631211100ASSY..... | DRAIN CAP ASSEMBLY |
| 2..... | .17210ZE1822..... | ELEMENT, AIR CLEANER |
| 3..... | .9807955846..... | SPARK PLUG |
| 1..... | .28462ZH8003..... | ROPE, RECOIL STARTER |
| 1..... | .17620Z0T305..... | CAP, FUEL W/ GASKET |

NOTICE

Part numbers on this Suggested Spare Parts list may supersede/replace the part numbers shown in the following parts lists.

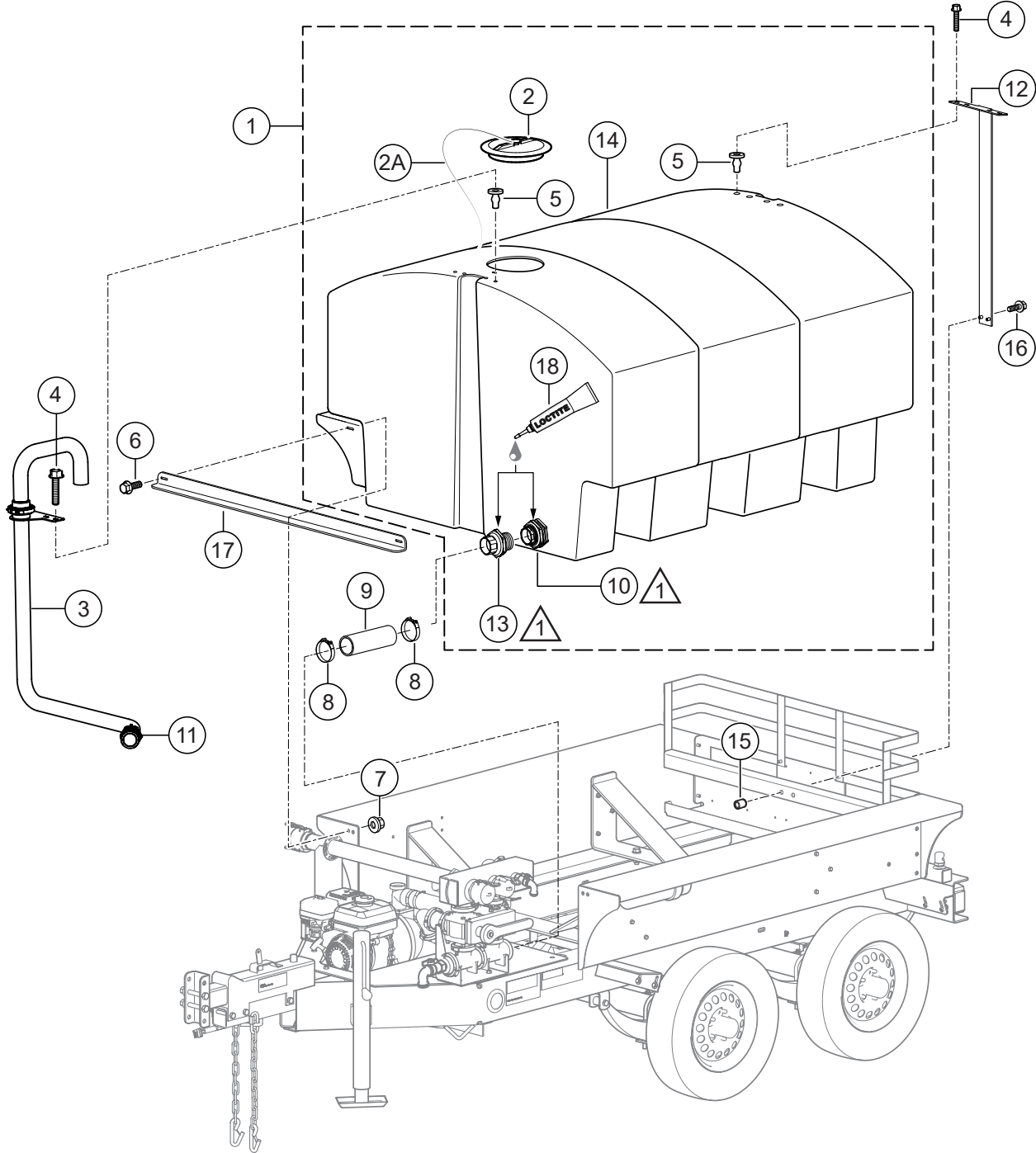
NAMEPLATE AND DECALS ASSY.



NAMEPLATE AND DECALS ASSY.

| <u>NO.</u> | <u>PART NO.</u> | <u>PART NAME</u> | <u>QTY.</u> | <u>REMARKS</u> |
|------------|-----------------|------------------------------------|-------------|------------------------|
| 1 | 35137 | DECAL, READ MANUALASK FOR TRAINING | 1 | |
| 2 | 36099 | DECAL, ISO PROTECTIVE CLOTHING | 1 | |
| 3 | 49937 | DECAL, VALVE OPERATION, WTC | 1 | |
| 4 | 29440 | DECAL, PLUG WIRING | 1 | |
| 5 | EE56342 | DECAL, NATM COMPLIANCE | 1 | |
| 6 | 34627 | DECAL, TOWING, WARNING | 1 | |
| 7 | EE56313 | OVERLAY, VIN LABEL | 1 | |
| 8 | EE56314 | OVERLAY, TIRE LABEL | 1 | |
| 9 | | LABEL, VIN AND TIRE | 1..... | CONTACT MQ PARTS DEPT. |
| 10 | 29713 | DECAL, BRAKE FLUID CHECK | 1 | |

WATER TANK ASSY.

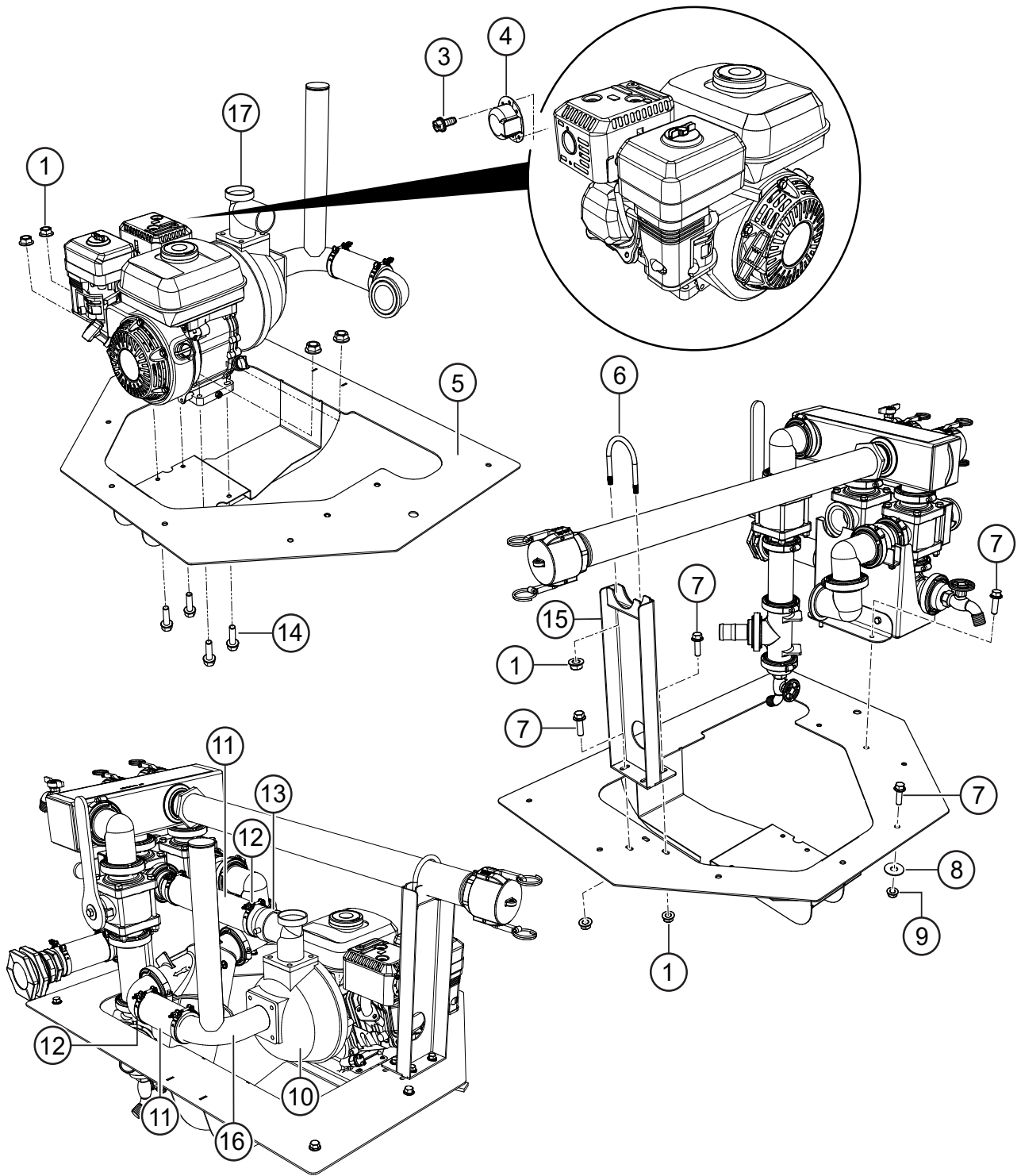


1 NOTE: APPLY LOCTITE 572 TO ITEM # 10 AND # 13

WATER TANK ASSY.

| <u>NO.</u> | <u>PART NO.</u> | <u>PART NAME</u> | <u>QTY.</u> | <u>REMARKS</u> |
|------------|-----------------|---|-------------|---------------------|
| 1 | 49769-SK | TANK ASSY., 525 GAL. | 1..... | INCLUDES ITEMS W/# |
| 2# | 49906 | LID, TANK | 1 | |
| 2A# | 49910 | LANYARD, LID | 1 | |
| 3 | 49764-SK | KIT, WATER TRAILER FILL TUBE. | 1..... | INCLUDES ITEMS W/\$ |
| 4 | 23619 | SCREW, HHFS 1/4"-20 X 1-1/4" | 8 | |
| 5# | 34159 | NUT, BLIND 1/4"-20, BULB TYPE | 8 | |
| 6 | 49048 | SCREW, HHFS 1/4"-20 X 3/4" GRD 5 | 8 | |
| 7 | 49070 | NUT, HFS, 1/4"-20 | 4 | |
| 8 | 49783 | CLAMP, HOSE, BARREL, 2.2-2.5 | 2 | |
| 9 | 59012 | HOSE, PUMP DISCHARGE, 2" X 12" (4.5") | 1..... | 1PC=1FT |
| 10# | 49768 | FITTING, BULKHEAD, 2" BNJ | 1 | |
| 11\$ | 49672 | FITTING, 2" FNPT X 2" M | 1 | |
| 12 | 49893 | BRACKET, TANK SUPPORT | 1 | |
| 13# | 49903 | FITTING, 2" MNPT X 2" BARB | 1 | |
| 14# | | TANK, 525 GAL. | 1..... | NOT SOLD SEPARATELY |
| 15 | 19266 | NUT, BLIND 1/4"-20 X .027-.165 | 2 | |
| 16 | 9167 | SCREW, HHFS 3/8"-16 X 2.25 | 2 | |
| 17 | 49636 | END STRAP, TANK CRADLE | 1 | |
| 18# | 60096 | LOCTITE #572, WHITE | AR | |

ENGINE MOUNTING AND HOSE ASSY.



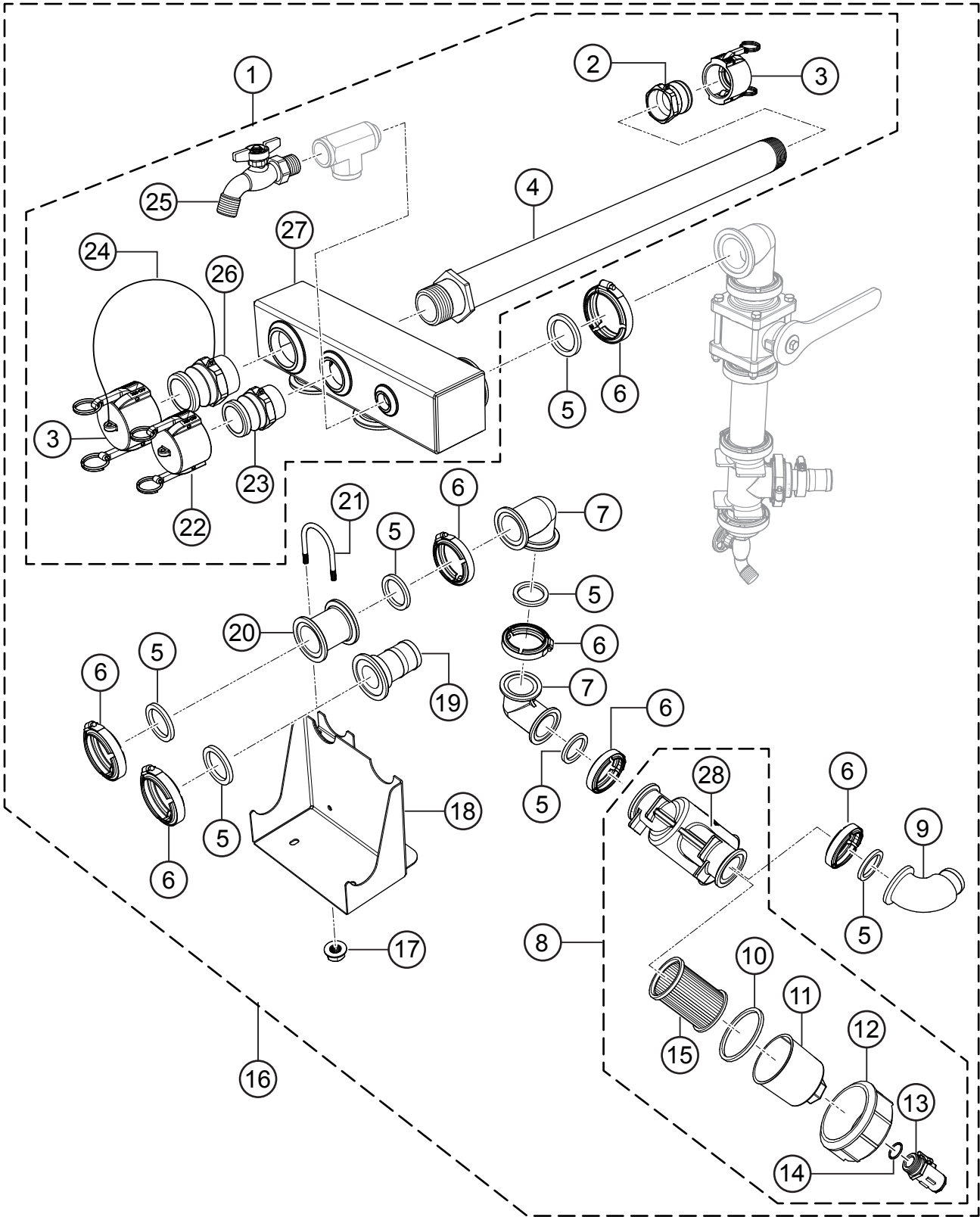
ENGINE MOUNTING AND HOSE ASSY.

| <u>NO.</u> | <u>PART NO.</u> | <u>PART NAME</u> | <u>QTY.</u> | <u>REMARKS</u> |
|------------|-----------------|--------------------------------------|-------------|----------------|
| 1 | 49071 | NUT, HFS, 5/16"-18 | 9 | |
| 3 | 1273 | SCREW, HHWTC 8-32 X 3/8" | 2 | |
| 4 | 1834 | DEFLECTOR ASSY., EXHAUST ENGINE | 1 | |
| 5 | 59174 | DECK PLATE, PUMP MOUNT | 1 | |
| 6 | 49997 | U-BOLT, 5/16"-18 X 2-1/2" X 3-3/16" | 1 | |
| 7 | 9091 | SCREW, HHFS 5/16"-18 X 1 GRD 5 | 5 | |
| 8 | 3233 | WASHER, FENDER, 3/8" X 1-1/2" | 8 | |
| 9 | 10133 | NUT, NYLOC 3/8"-16 | 8 | |
| 10♦ | QP205SHLF | PUMP, QP205SH W/ ENGINE LESS FRAME | 1 | |
| 11 | 59012 | HOSE, PUMP DISCHARGE, 2" X 12" | 2..... | 1PC=1FT |
| 12 | 49783 | CLAMP, HOSE, BARREL, 2.2-2.5 | 4 | |
| 13 | 59221 | FITTING, 2" BARB X 2" FNPS | 1 | |
| 14 | 21906 | SCREW, HHFS 5/16"-18 X 1-1/2" GRD 5 | 4 | |
| 15 | 59002 | SUPPORT, SIDE SPRAY, SADDLE STYLE | 1 | |
| 16 | 59170 | PUMP INLET | 1 | |
| 17 | 89310000900011 | ELBOW, DELIVERY | 1 | |

NOTICE

♦ REFER TO PUMP MANUAL FOR REPAIR AND SERVICE PARTS.

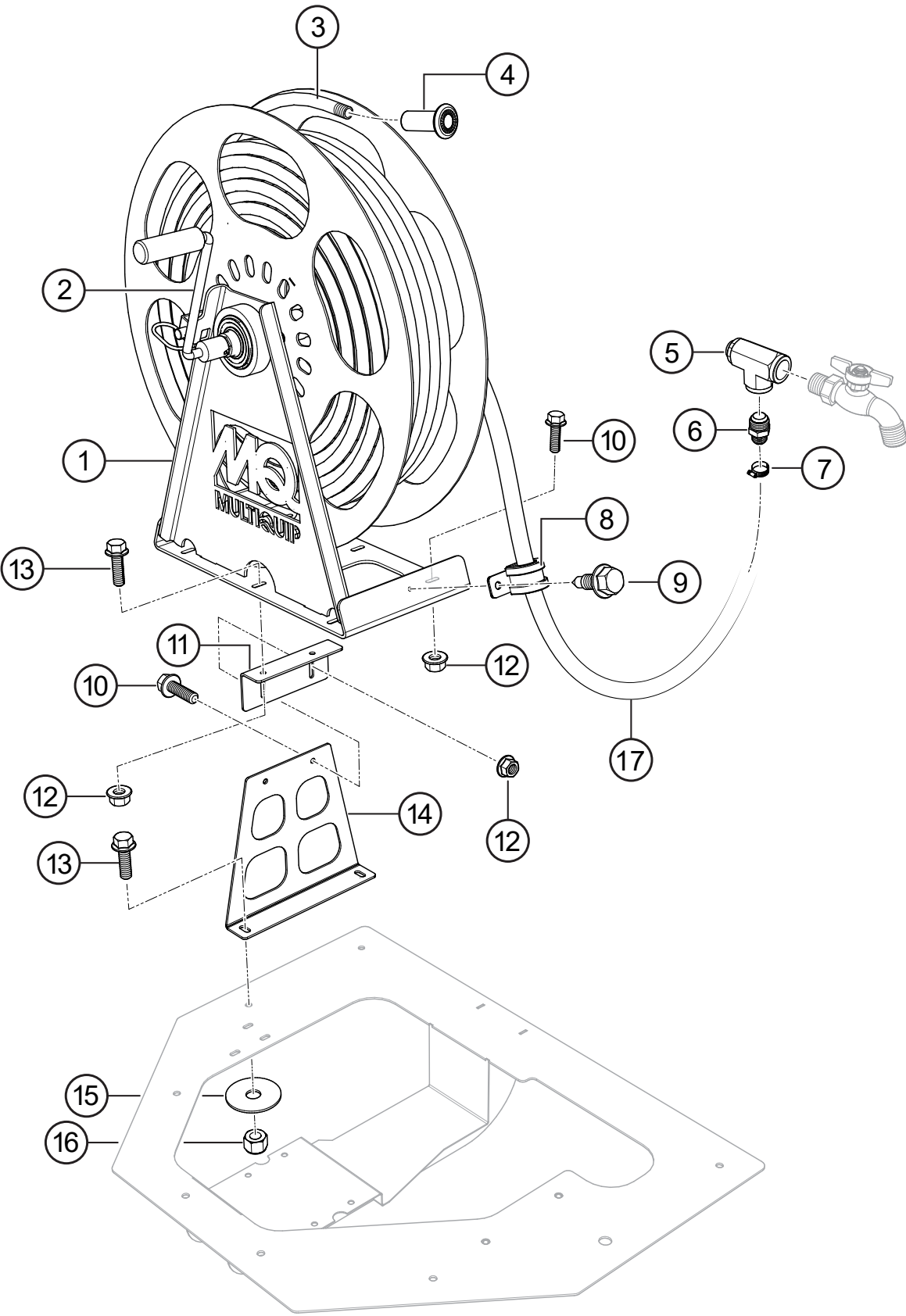
MANIFOLD ASSY.



MANIFOLD ASSY.

| <u>NO.</u> | <u>PART NO.</u> | <u>PART NAME</u> | <u>QTY.</u> | <u>REMARKS</u> |
|------------|-----------------|-------------------------------------|-------------|---------------------|
| 1# | 49731 | MANIFOLD, UPPER, ASSEMBLY | 1..... | INCLUDES ITEMS W/\$ |
| 2#\$ | 49672 | FITTING, 2" FNPT X 2" M | 1 | |
| 3#\$ | 49667 | CAP, DUST, 2" CAM LEVER | 2 | |
| 4#\$ | 49676 | FITTING, NIPPLE, 2"MP X 34" L, BLK | 1 | |
| 5# | 49663 | GASKET, 2" FP, EDPM, BNJ | 7 | |
| 6# | 49664 | CLAMP, HOSE, WORM, 2" FP | 7 | |
| 7# | 49669 | FITTING, 90°, 2" FP, BNJ | 2 | |
| 8# | 59225 | STRAINER 2" FP-4 MESH | 1..... | INCLUDES ITEMS W/% |
| 9# | 59224 | FITTING 90 2" FP X 2" BARB | 1 | |
| 10#% | 59225-07 | 2" BODY GASKET | 1 | |
| 11#% | 59225-03 | 2" FLANGED Y STRAINER CAP | 1 | |
| 12#% | 59225-04 | 2" FLANGED Y STRAINER RING | 1 | |
| 13#% | 59230 | VALVE 1" MNPT X 1/2" FNPT PLASTIC | 1 | |
| 14#% | 59225-05 | 2" PLUG GASKET | 1 | |
| 15#% | 59225-01 | 4 SS MESH SCREEN | 1 | |
| 16 | 59217 | MANIFOLD ASSEMBLY..... | 1..... | INCLUDES ITEMS W/# |
| 17# | 49071 | NUT, HFS, 5/16"-18 | 2 | |
| 18# | 49998 | MANIFOLD SUPPORT | 1 | |
| 19# | 49899 | FITTING, 2" FP X 2" BARB | 1 | |
| 20# | 49735 | FITTING, NIPPLE, 2" FP X 3" L | 1 | |
| 21# | 49997 | U-BOLT, 5/16"-18 X 2-1/2" X 3-3/16" | 1 | |
| 22#\$ | 49668 | CAP, DUST, 1-1/2" | 1 | |
| 23#\$ | 49673 | FITTING, 1-1/2" MNPT X 1-1/2" M | 1 | |
| 24#\$ | 49732 | LANYARD, 11" POLY | 2 | |
| 25#\$ | 49683 | HOSE BIBB, 3/4" MNPT | 1 | |
| 26#\$ | 49671 | FITTING, 2" MNPT X 2" M | 1 | |
| 27#\$ | 49675 | MANIFOLD, VALVE ASSEMBLY | 1 | |
| 28#% | 59225-02 | 2" FLANGED Y STRAINER BODY | 1 | |

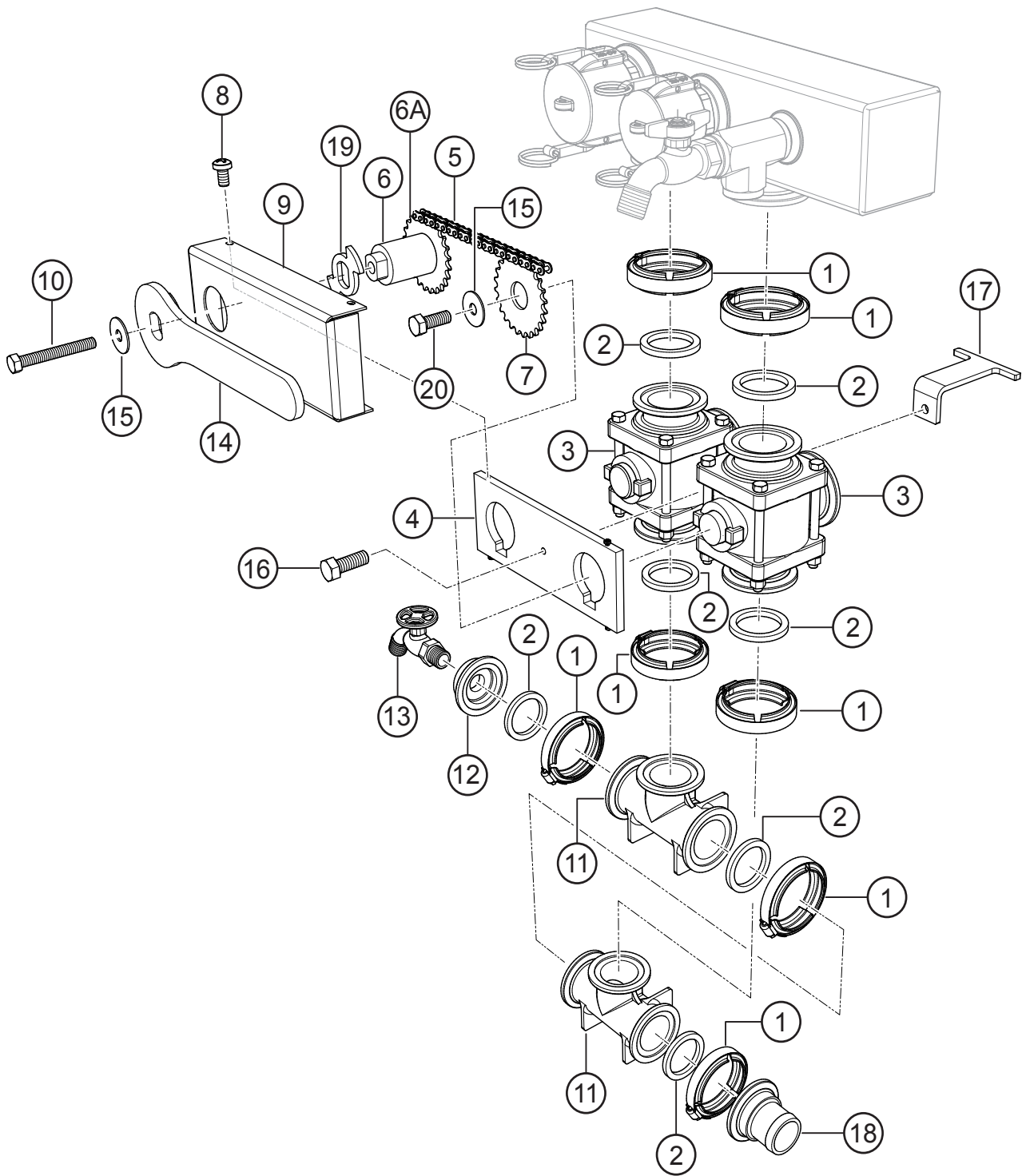
HOSE REEL ASSY.



HOSE REEL ASSY.

| <u>NO.</u> | <u>PART NO.</u> | <u>PART NAME</u> | <u>QTY.</u> | <u>REMARKS</u> |
|------------|-----------------|-------------------------------------|-------------|----------------|
| 1 | 59136 | DRUM ASSY., HOSE REEL | 1 | |
| 2 | 59010 | HANDLE, ROCK WINCH | 1 | |
| 3 | 59157 | HOSE, 50" X 1" MALE NPT | 1 | |
| 4 | 59158 | NOZZLE, FOG 1" NPT | 1 | |
| 5 | 59156 | FITTING, RUN TEE | 1 | |
| 6 | 59160 | FITTING, HOSE BARB TO MALE NPT16-12 | 1 | |
| 7 | 21552 | CLAMP, HOSE WORM #16 | 1 | |
| 8 | 22852 | CLAMP, CUSHIONED LOOP #24 | 1 | |
| 9 | 9509 | SCREW, 12 X 3/4" SELF TAP | 1 | |
| 10 | 9091 | SCREW, HHFS 5/16"-18 X 1 GRD 5 | 7 | |
| 11 | 59161 | BRACKET, HOSE REEL UPPER | 1 | |
| 12 | 49071 | NUT, HFS, 5/16"-18 | 7 | |
| 13 | 22106 | SCREW, HHFS 3/8"-16 X 1.25 | 2 | |
| 14 | 59155 | MOUNT PLATE, HOSE REEL | 1 | |
| 15 | 3233 | WASHER, FENDER, 3/8" X 1-1/2" | 2 | |
| 16 | 10133 | NUT, NYLOC 3/8"-16 | 2 | |
| 17 | 59159 | HOSE, 5'-1" MALE NPT CONTRACTOR | 1 | |

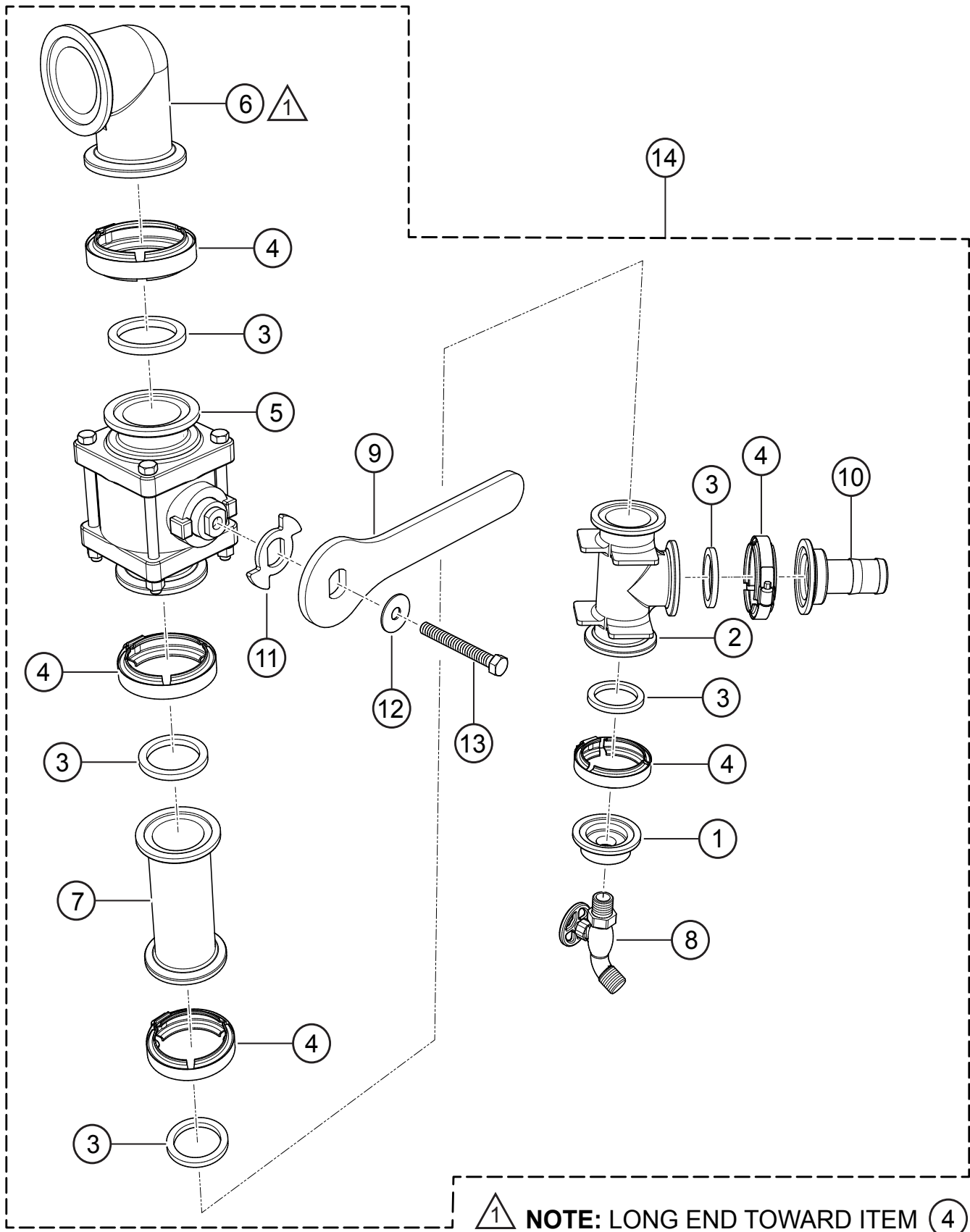
MANIFOLD VALVE ASSY.



MANIFOLD VALVE ASSY.

| <u>NO.</u> | <u>PART NO.</u> | <u>PART NAME</u> | <u>QTY.</u> | <u>REMARKS</u> |
|------------|-----------------|---------------------------------------|-------------|----------------|
| 1 | 49664 | CLAMP, HOSE WORM, 2" FP, BNJ | 7 | |
| 2 | 49663 | GASKET, 2" FP, EPDM, BNJ | 7 | |
| 3 | 49665 | VALVE, 2" FP, 3 WAY, BOTTOM LOAD, BNJ | 2 | |
| 4 | 49643 | SEPARATOR PLATE, VALVE SELECTOR | 1 | |
| 5 | 49738 | CHAIN | 1 | |
| 6 | 49641 | HUB, DRIVE, VALVE SELECTOR | 1 | |
| 6A | 49638 | SPROCKET BLANK, VALVE SELECTOR | 1 | |
| 7 | 49640 | SPROCKET, DRIVEN, VALVE SELEC. | 1 | |
| 8 | 0304 | SCREW, PHP 10-24 X 1/4" | 4 | |
| 9 | 49647 | GUARD, VALVE SELECTOR | 1 | |
| 10 | 0169 | SCREW, HHC 3/8"-16 X 3" | 1 | |
| 11 | 49662 | FITTING, TEE, 2" FP, BNJ | 2 | |
| 12 | 49660 | FITTING, 2" FP X 3/4" FNPT, BNJ | 1 | |
| 13 | 49683 | HOSE BIB, 3/4" MNPT | 1 | |
| 14 | 49907 | HANDLE, VALVE 2" FP | 1 | |
| 15 | 28290-001 | WASHER, FENDER 3/8" X 1-1/4" | 1 | |
| 16 | 23619 | SCREW, HHFS 1/4"-20 X 1-1/4" | 1 | |
| 17 | 49898 | BRACKET, GUARD RETAINER | 1 | |
| 18 | 49900 | FITTING, 2" FPX 2" BARB | 1 | |
| 19 | 49894 | CAM, HANDLE | 1 | |
| 20 | 0205 | SCREW, HHC 3/8"-16 X 1" | 1 | |

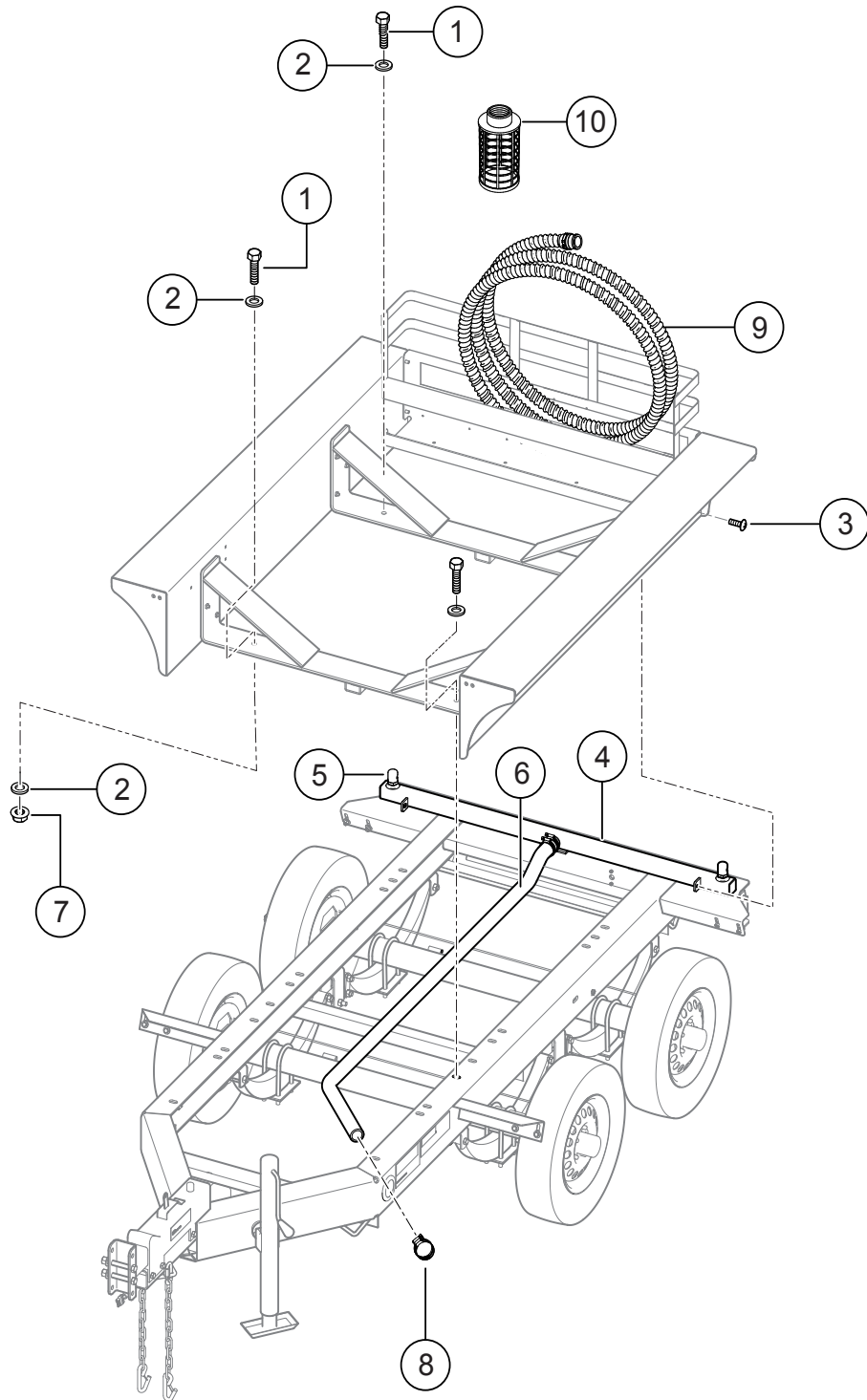
REAR SPRAY VALVE ASSY.



REAR SPRAY VALVE ASSY.

| <u>NO.</u> | <u>PART NO.</u> | <u>PART NAME</u> | <u>QTY.</u> | <u>REMARKS</u> |
|------------|-----------------|------------------------------------|-------------|--------------------|
| 1#\$ | 49660 | FITTING, 2" FP X 3/4" FNPT, BNJ | 1 | |
| 2#\$ | 49662 | FITTING, TEE, 2" FP, BNJ | 1 | |
| 3#\$ | 49663 | GASKET, 2" FP, EPDM, BNJ | 5 | |
| 4#\$ | 49664 | CLAMP, HOSE WORM, 2" FP, BNJ | 5 | |
| 5# | 49666 | VALVE, 2" FP, BNJ | 1 | |
| 6# | 49669 | FITTING, 90°, 2" FP, BNJ | 1 | |
| 7# | 49670 | FITTING, NIPPLE, 2" FP X 6" L, BNJ | 1 | |
| 8#\$ | 49683 | HOSE BIB, 3/4" MNPT | 1 | |
| 9# | 49901 | PADDLE, HANDLE | 1 | |
| 10#\$ | 59011 | FITTING, 2" FP X 1-1/2" BARB, BNJ | 1 | |
| 11# | 49894 | CAM, HANDLE | 1 | |
| 12# | 28290-001 | WASHER, FENDER, 3/8" X 1-1/4" | 1 | |
| 13# | 0169 | SCREW, HHC 3/8"-16 X 3" | 1 | |
| 14 | 49733 | VALVE ASSY, REAR SPRAY | 1..... | INCLUDES ITEMS W/# |

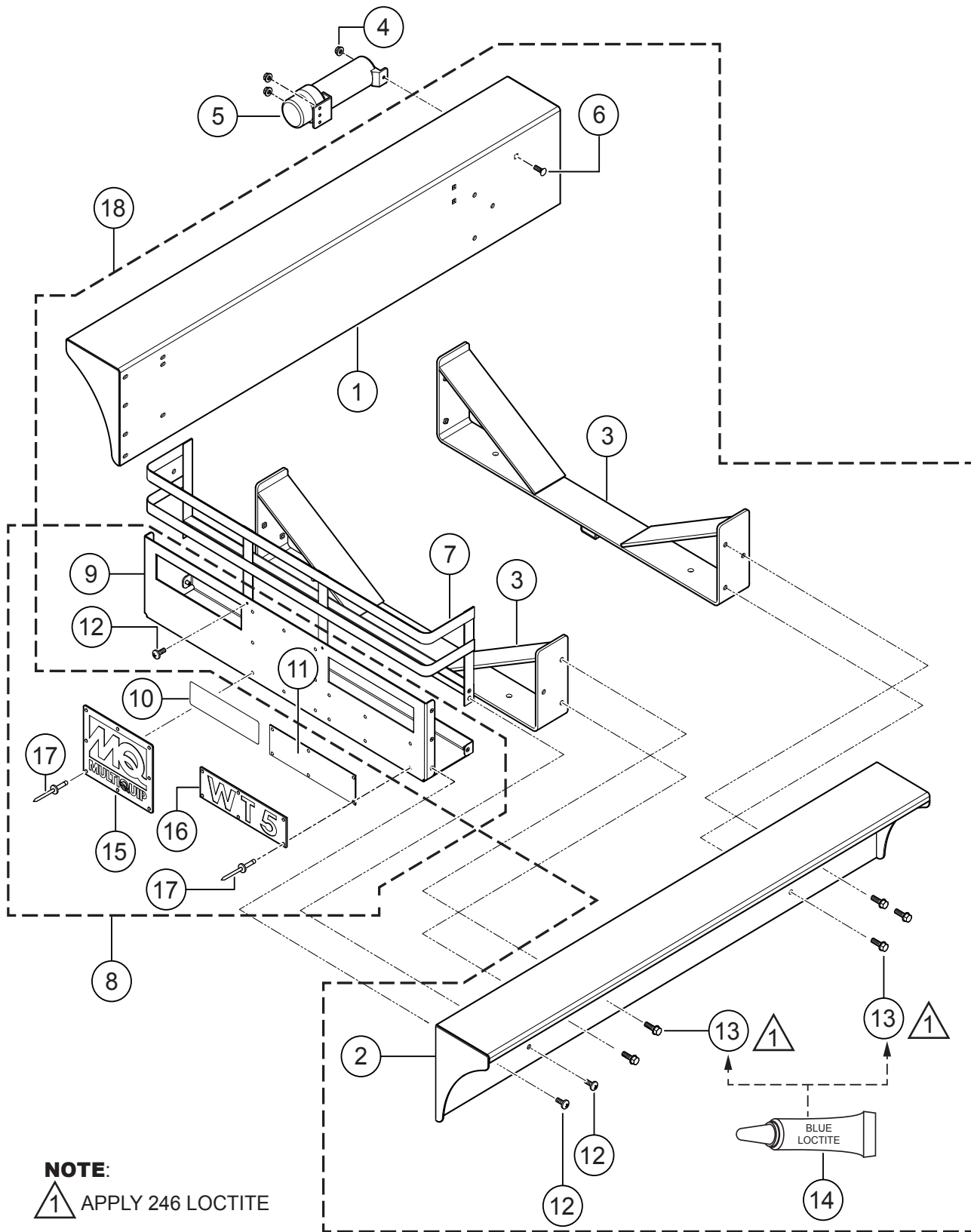
TANK CRADLE MOUNTING ASSY.



TANK CRADLE MOUNTING ASSY.

| <u>NO.</u> | <u>PART NO.</u> | <u>PART NAME</u> | <u>QTY.</u> | <u>REMARKS</u> |
|------------|-----------------|---------------------------------------|-------------|----------------|
| 1 | 915311 | SCREW, HHC 5/8"-11 X 2" GRD 8 | 4 | |
| 2 | 933246 | WASHER, FLAT 5/8" SAE GRD 9 | 8 | |
| 3 | 49048 | SCREW, HHFS 1/4"-20 X 3/4" GRD 5 | 8 | |
| 4 | 49780 | SPRAY BAR, REAR | 1 | |
| 5 | 49781 | NOZZLE, SPRAY, 3/4" | 2 | |
| 6 | 59014 | HOSE, RUBBER, 1-1/2", 125 PSI (7 FT.) | 7 | 1PC=1FT |
| 7 | 937188 | NUT, NYLOC 5/8"-11, GRD 8 | 4 | |
| 8 | 12277 | CLAMP, HOSE WORM #36 | 4 | |
| 9 | HSQ220 | HOSE, SUCTION, 2" X 20' QUICK COUP. | 1 | |
| 10 | 0742303050 | PLASTIC STRAINER | 1 | |

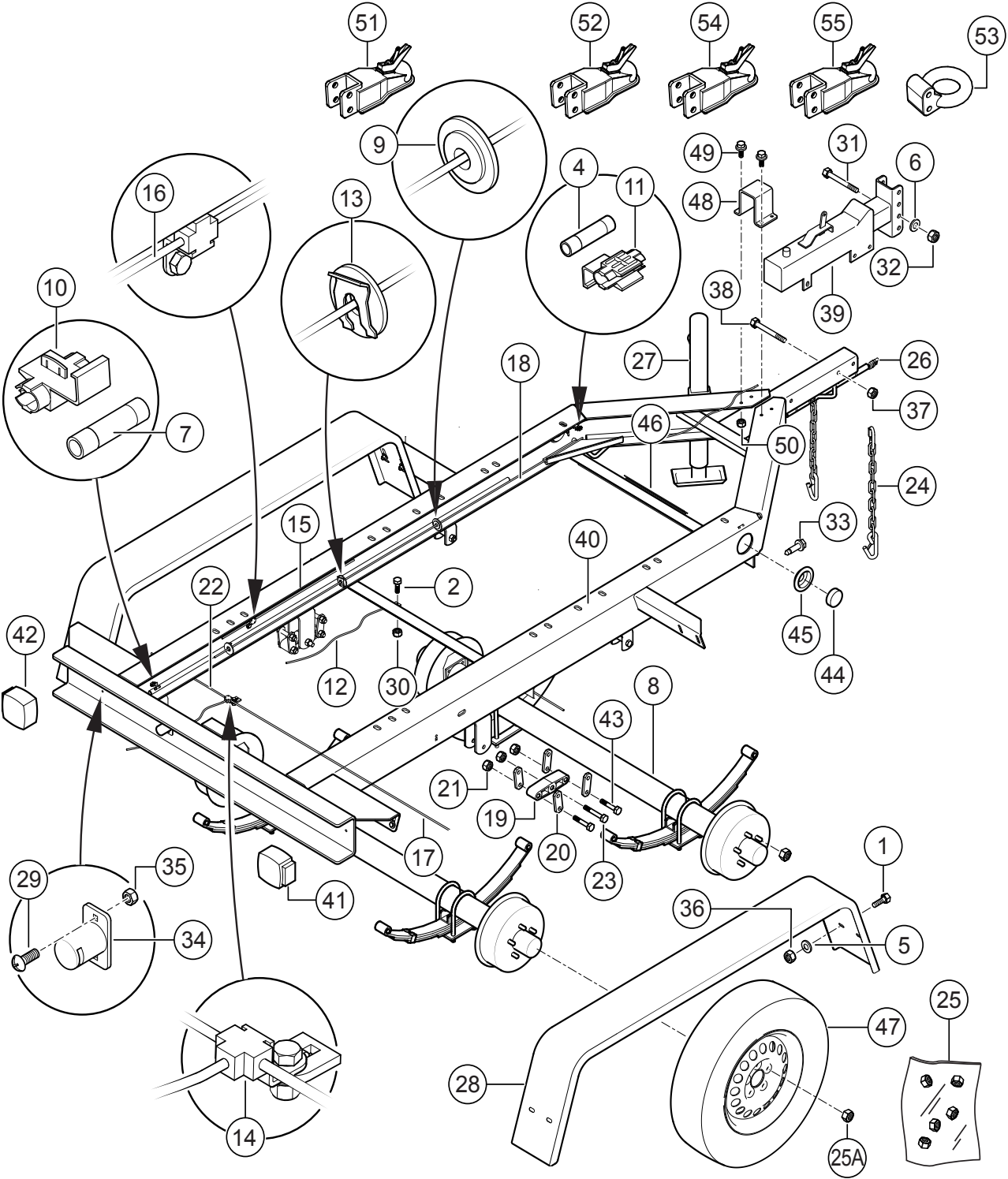
TANK CRADLE ASSY.



TANK CRADLE ASSY.

| <u>NO.</u> | <u>PART NO.</u> | <u>PART NAME</u> | <u>QTY.</u> | <u>REMARKS</u> |
|------------|-----------------|---|-------------|------------------------------------|
| 1% | 49635 | CRADLE, SHELF, LH | 1 | |
| 1@ | 49635-SG | CRADLE, SHELF LH GREEN | 1 | WT5HPSG ONLY |
| 2% | 49634 | CRADLE, SHELF, RH | 1 | |
| 2@ | 49634 | CRADLE SHELF, RH GREEN | 1 | WT5HPSG ONLY |
| 3% | 49629 | CRADLE BASE | 2 | |
| 3@ | 49629-SG | CRADLE BASE..... | 2 | WT5HPSG ONLY |
| 4 | 49070 | NUT, FLANGED 1/4"-20 | 3 | |
| 5 | 23297 | MANUAL HOLDER | 1 | |
| 6 | 29712 | BOLT, CARRIAGE 1/4"-20 X 3/4" | 3 | |
| 7%@ | 49622 | BASKET, REAR, UPPER | 1 | |
| 8 | 49626 | BASKET, REAR, ASSY. | 1 | INCLUDES ITEMS W/# |
| 8 | 49626-SG | BASKET, REAR, ASSY., GREEN | 1 | INCLUDES ITEMS W/\$ |
| 9%# | 49625 | BASKET, REAR, TRAY | 1 | |
| 9\$@ | 49625-SG | BASKET, REAR, TRAY, GREEN..... | 1 | WT5HPSG ONLY |
| 10# | 49618 | DECAL, CRADLE BADGE | 1 | |
| 10\$ | 59048 | DECAL, CRADLE BADGE-SG | 1 | WT5HPSG ONLY |
| 11#\$ | 49624 | BADGE, CRADLE, BACKING | 1 | |
| 12%@#\$ | 49048 | SCREW, HHFS 1/4"-20 X 3/4" GRD 5 | 14 | |
| 13%@ | 9091 | SCREW, HHFS 5/16"-18 X 1' GRD 5 | 12 | |
| 14 | 60097 | LOCTITE, #246 BLUE | AR | |
| 15# | 49617 | BADGE, CRADLE, REAR | 1 | |
| 15\$ | 59047 | BADGE, CRADLE, REAR-SG | 1 | WT5HPSG ONLY |
| 16#\$ | 49623 | BADGE, CRADLE | 1 | |
| 17#\$ | 19847 | RIVET, POP, ALUM., 3/16" X 1/8"-1/4" GRIP | 14 | |
| 18 | 49637 | TANK CRADLE ASSY. | 1 | INCLUDES ITEMS W/% |
| 18 | 49637-SG | TANK CRADLE ASSY., GREEN | 1 | INCLUDES ITEMS W/@ WT5HPSG ONLY |

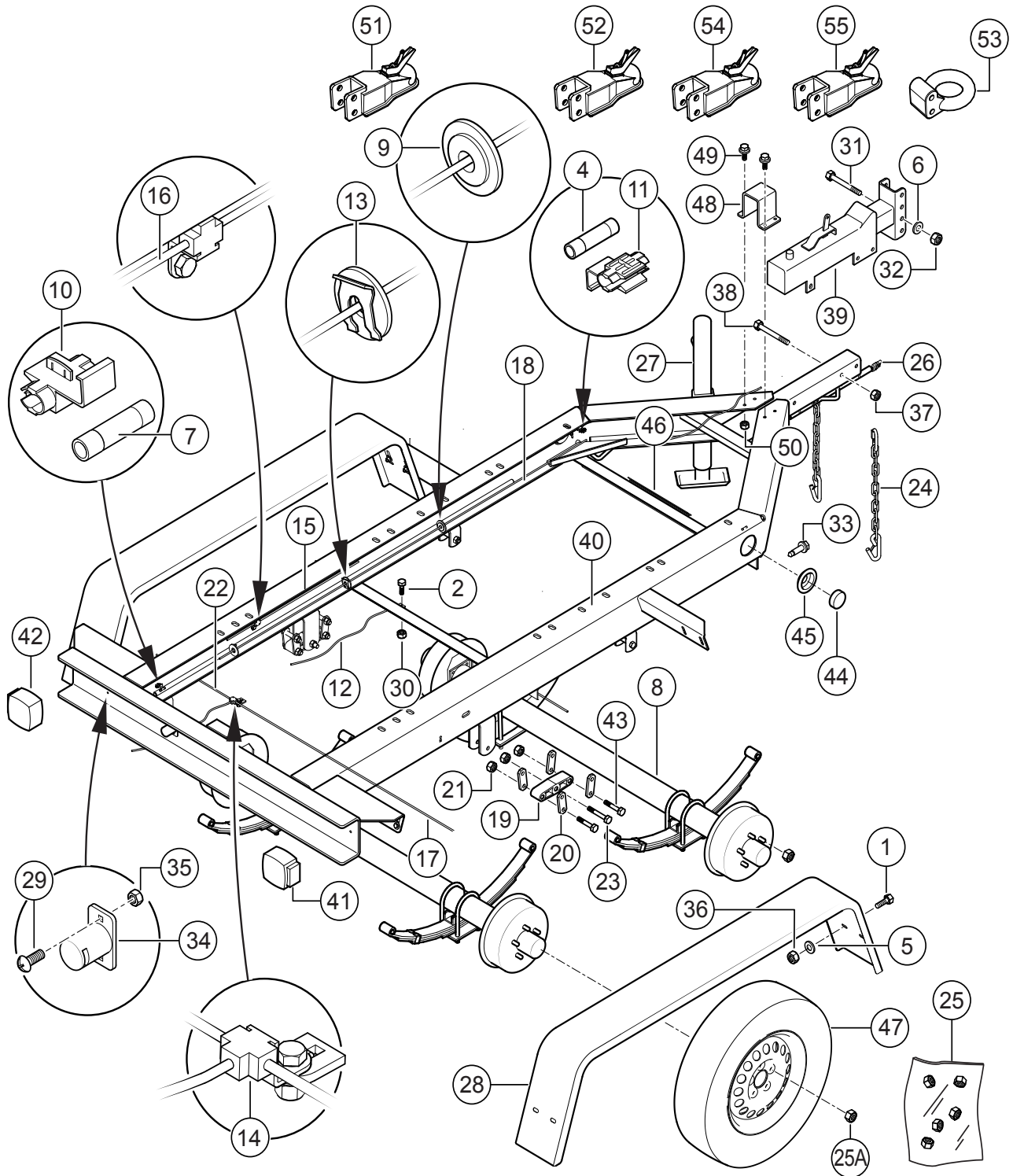
HYDRAULIC TRAILER ASSY.



HYDRAULIC TRAILER ASSY.

| <u>NO.</u> | <u>PART NO.</u> | <u>PART NAME</u> | <u>QTY.</u> | <u>REMARKS</u> |
|------------|-----------------|--|-------------|--------------------|
| 1 | 0205 | SCREW, HHC 3/8"-16 X 1" | 8 | |
| 2 | 0655 | SCREW, HHC 5/16"-18 X 3/4" | 3 | |
| 4 | 2540 | CONNECTOR, BUTT SPLICE, 16-14 | 3 | |
| 5 | 4001 | WASHER, FLAT USS 3/8" PLTD. | 16 | |
| 6 | 4684 | WASHER, FLAT SAE 5/8" PLTD. | 2 | |
| 7 | 9512 | INSULATOR, WIRING .50 DIA. | 8 | |
| 8 | 19070 | AXLE | 2 | |
| 9 | 19468 | GROMMET, 3/16" X 1/2" ID. X 1-1/4" OD. | 1 | |
| 10 | 19761 | TERMINAL, SPLICE 16-14 CLSD', BLUE | 1 | |
| 11 | 19762 | TERMINAL, SPLICE 16-14 CLSD', BRN/WHT | 1 | |
| 12 | 19763 | HOSE, DOT BRAKE, 3/16" X 19", MALE/FEM | 3 | |
| 13 | 29226 | TAB, SPRING LOCK | 3 | |
| 14 | 29227 | TEE, BRAKE LINE 3/16" W/ STRAP | 3 | |
| 15 | 29236 | TUBE, BRAKE 5.5" | 1 | |
| 16 | 29237 | TUBE, BRAKE 3/16" X 20" | 1 | |
| 17 | 29238 | TUBE, BRAKE 3/16" X 41-1/2" | 2 | |
| 18 | 29239 | BRAKE LINE 74" | 1 | |
| 19 | 29246 | EQUALIZER, TANDEM AXLE | 2 | |
| 20 | 29247 | SHACKLE, AXLE MOUNTING | 8 | |
| 21 | 29249 | NUT, 9/16"-18 AXLE MOUNTING N-2 | 14 | |
| 22 | 29251 | TUBE, BRAKE 15" | 2 | |
| 23 | 29248 | SCREW, HHC 9/16-18 X 3" AXLE MOUNT | 2 | |
| 24 | 49537 | CHAIN, SAFETY TOWING, 6600 LB. | 2 | |
| 25 | 29755 | KIT, LUG NUTS, 1/2"-20 PLTD. | 1 | INCLUDES ITEMS W/% |
| 25A% | 29194 | NUT, LUG 1/2"-20 TAPERED CONE, PLTD. | 20 | |
| 26 | 29784 | HARNESS ASSY. 48" LOOM W/4 PIN CONN. | 1 | |
| 27 | 49116 | JACK, SWIVEL 15" LIFT, 5/8" PIN | 1 | |
| 28 | 49842 | FENDER, TANDEM 8" X 15.5" X 66" | 2 | |
| 29 | 5065 B | SCREW, PHP 10-32 X 1/2" | 4 | |
| 30 | 5283 | NUT, NYLOC 5/16"-18 | 3 | |

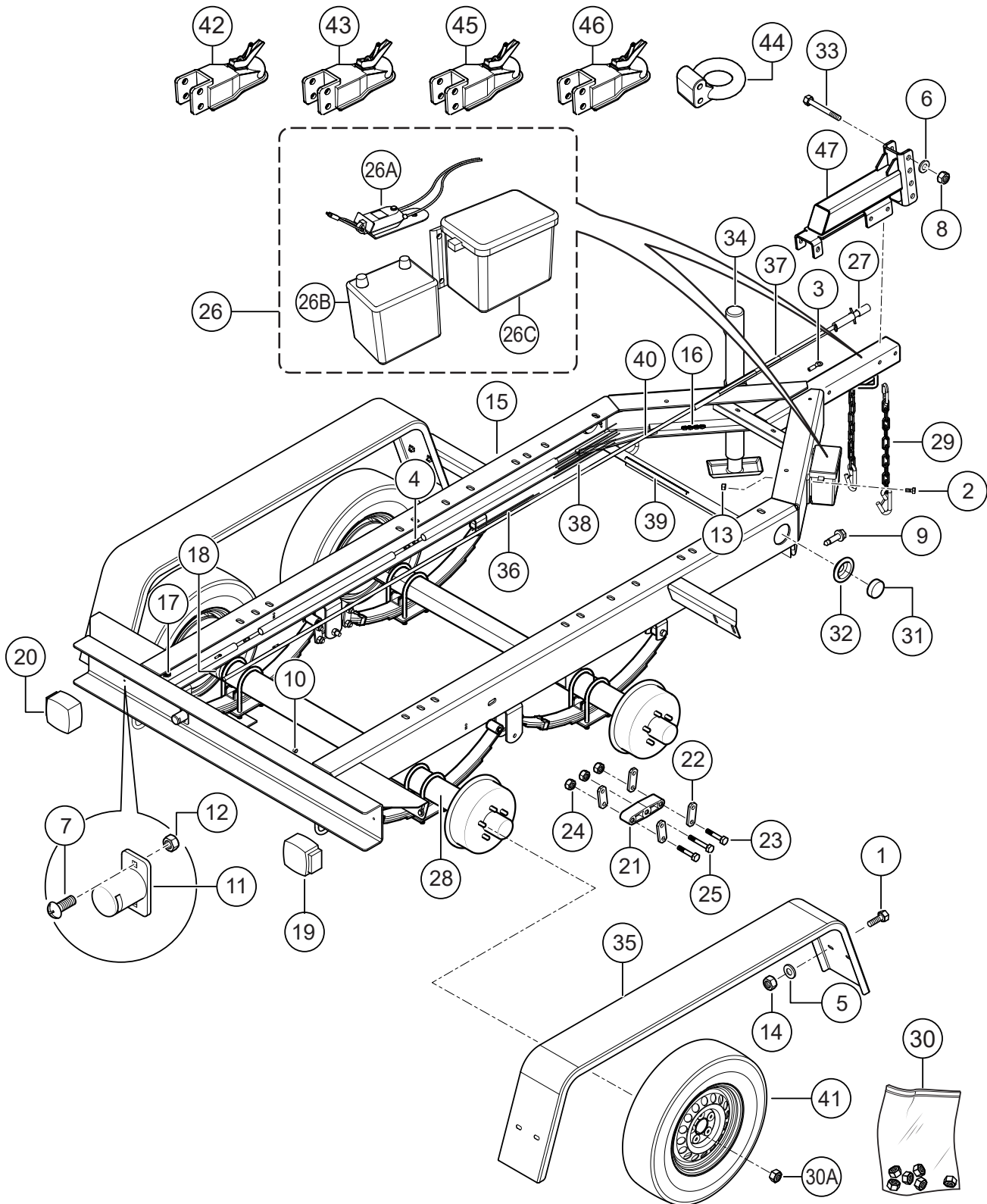
HYDRAULIC TRAILER ASSY. (CONTINUED)



HYDRAULIC TRAILER ASSY. (CONTINUED)

| <u>NO.</u> | <u>PART NO.</u> | <u>PART NAME</u> | <u>QTY.</u> | <u>REMARKS</u> |
|------------|-----------------|---|-------------|--------------------------|
| 31 | 37826 | SCREW, HHC 5/8"-11 X 4-3/4" GRD 8 | 2 | |
| 32 | 9503 | NUT, NYLOC 5/8"-11 | 2 | |
| 33 | 9509 | SCREW, TEK 12 X 3/4" SELF TAP | 3 | |
| 34 | 9514 | LIGHT ASSY., LICENSE PLATE | 2 | |
| 35 | 10019 | NUT, NYLOC 10-32 | 4 | |
| 36 | 10133 | NUT, NYLOC 3/8"-16 | 8 | |
| 37 | 10176 | NUT, NYLOC 1/2"-13 | 3 | |
| 38 | 10306 | SCREW, HHC 1/2"-13 X 4-1/2" | 3 | |
| 39 | 19067 | ACTUATOR, BRAKE | 1 | |
| 40 | 19748 | FRAME | 1 | |
| 41 | 29242 | LIGHT, TAIL RT (CURB) SIDE | 1 | |
| 42 | 29243 | LIGHT, TAIL LT (ROAD) SIDE | 1 | |
| 43 | 29248 | SCREW, HHC 9/16"-18 X 3" | 12 | |
| 44 | 29898 | LIGHT, 2-1/2" SIDE MARKER, AMBER | 2 | |
| 45 | 29900 | GROMMET W/WIRE KIT, 2-1/2" | 2 | |
| 46 | 60018 | WIRE, 16 GA. BROWN, SAE J1128..... | 4 | 1PC=1FT |
| 47 | EE44304 | WHEEL ASSY., ST205/75D-14 L/R,"C" | 4 | |
| 48 | 49975 | BRAKE HOSE COVER, BOLT- ON | 1 | |
| 49 | 49048 | SCREW, HHFS 1/4"-20 X 3/4" GRD 5 | 4 | |
| 50 | 49070 | NUT, FLANGED 1/4"-20 SERRATED PLTD. | 4 | |
| 51 | EE43253 | HITCH, BALL, 2-5/16" (STANDARD)..... | 1 | CONTACT UNIT SALES DEPT. |
| 52 | 29228 | HITCH, BALL, 2" ADJUSTABLE (OPTION)..... | 1 | CONTACT UNIT SALES DEPT. |
| 53 | 29369 | HITCH, PINTLE, 3" ADJUSTABLE(OPTION) | 1 | CONTACT UNIT SALES DEPT. |
| 54 | EE56638 | HITCH, BULLDOG, 2-5/16" BALL, ADJ. (OPT.) | 1 | CONTACT UNIT SALES DEPT. |
| 55 | EE57033 | HITCH, BULLDOG, 2" BALL, ADJ. (OPT.)..... | 1 | CONTACT UNIT SALES DEPT. |

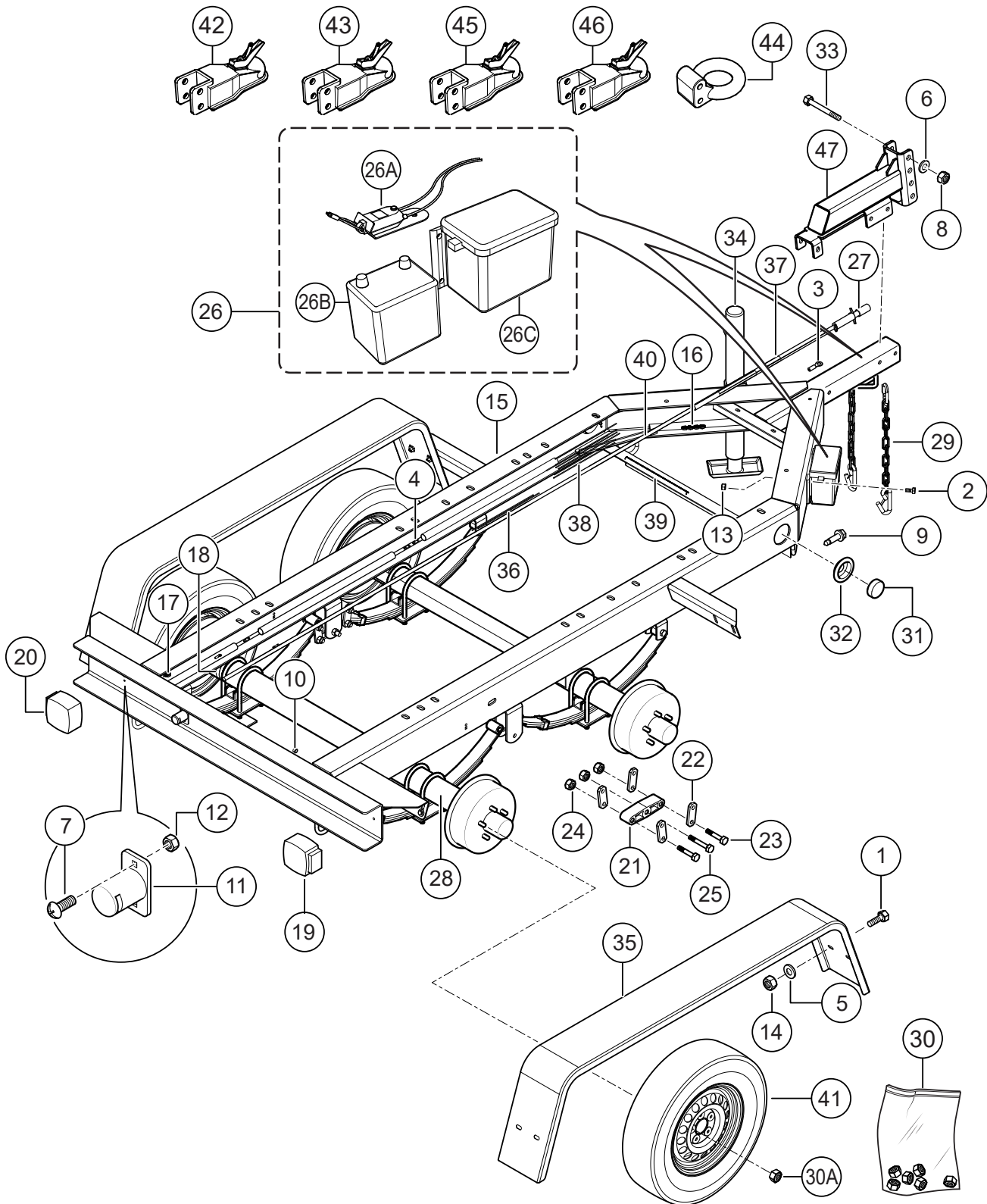
ELECTRIC TRAILER ASSY.



ELECTRIC TRAILER ASSY.

| <u>NO.</u> | <u>PART NO.</u> | <u>PART NAME</u> | <u>QTY.</u> | <u>REMARKS</u> |
|------------|-----------------|-------------------------------------|-------------|--------------------|
| 1 | 0205 | SCREW, HHC 3/8"-16 X 1.0 | 8 | |
| 2 | 0730 | SCREW, HHC 1/4"-20 X 1 | 4 | |
| 3 | 1319 | TERMINAL, RING 16-14 1/4" LOOP | 2 | |
| 4 | 2540 | CONNECTOR, BUTT SPLICE, 16-14 | 4 | |
| 5 | 4001 | WASHER, FLAT USS 3/8" PLD | 16 | |
| 6 | 4684 | WASHER, FLAT SAE 5/8" PLTD | 2 | |
| 7 | 5065 B | SCREW, PHP 10-32 X 1/2" | 4 | |
| 8 | 9503 | NUT, NYLOC 5/8"-11 | 2 | |
| 9 | 9509 | SCREW, TEK 12 X 3/4" SELF TAP | 4 | |
| 10 | 9512 | INSULATOR, WIRING .50 DIA. | 4 | |
| 11 | 9514 | LIGHT ASSY., LICENSE PLATE | 2 | |
| 12 | 10019 | NUT, NYLOC 10-32 | 4 | |
| 13 | 10024 | NUT, NYLOC 1/4"-20 | 4 | |
| 14 | 10133 | NUT, NYLOC 3/8"-16 | 8 | |
| 15 | 19748E | FRAME, | 1 | |
| 16 | 19761 | TERM., SPLICE 16-14 CLOSED, BLUE | 4 | |
| 17 | 19762 | TERM., SPLICE 16-14 CLOSED, BRN/WHT | 1 | |
| 18 | 29218 | CLAMP, HOSE WORM, 2-1/2" TO 3-1/2" | 2 | |
| 19 | 29242 | LIGHT, TAIL RT (CURB) SIDE | 1 | |
| 20 | 29243 | LIGHT, TAIL LH (ROAD) SIDE | 1 | |
| 21 | 29246 | EQUALIZER, TANDEM AXLE | 2 | |
| 22 | 29247 | SHACKLE, AXLE MOUNTING | 8 | |
| 23 | 29248 | SCREW, HHC 9/16"-18 | 12 | |
| 24 | 29249 | NUT, 9/16"-18 AXLE MOUNTING N-2 | 14 | |
| 25 | 29317 | SCREW, 9/16" X 3-1/2" AXLE MOUNTING | 2 | |
| 26 | 29366 | KIT, BREAK-AWAY | 1 | INCLUDES ITEMS W/# |
| 26A# | EE43519 | SWITCH, BREAK-AWAY, KIT | 1 | |
| 26B# | EE57140 | BATTERY, BREAK-AWAY, KIT | 1 | |
| 26C# | EE57141 | BOX, BATTERY, BREAK-AWAY, KIT | 1 | |
| 27 | 29367 | PLUG/SPRING, 6 POLE TRAILER | 1 | |
| 27 | EE55622 | 7-PIN CONNECTOR..... | 1 | OPTION |
| 28 | 29396 | AXLE ASSEMBLY | 2 | |
| 29 | 49537 | CHAIN, SAFETY TOWING, 6600 LB. | 2 | |
| 30 | 29755 | KIT, LUG NUTS, 1/2"-20 PLTD. | 1 | INCLUDES ITEMS W/% |
| 30A% | 29194 | NUT, LUG 1/4"-20 TAPPED CONE, PLTD. | 20 | |
| 31 | 29898 | LIGHT, 2-1/2" SIDE MARKER, AMBER | 2 | |
| 32 | 29900 | GROMMET W/WIRE KIT, 2-1/2" | 2 | |
| 33 | 37826 | SCREW, HHC 5/8"-11 X 4-3/4" GRD 8 | 2 | |
| 34 | 49116 | JACK, SWIVEL 15" LIFT, 5/8" PIN | 1 | |
| 35 | 49842 | FENDER, TANDEM 8 X 15.5 X 65.25 | 2 | |
| 36 | 60018 | WIRE, 16 GA BROWN, SAE J1128..... | 4 | 1PC=1FT |
| 37 | 60037 | LOOM, 5/8" DIA. HI-TEMP, BLK | 3 | |
| 38 | 60043 | WIRE, 16 GA. GREEN, SAE J1128..... | 7 | 1PC=1FT |

ELECTRIC TRAILER ASSY.(CONTINUED)



ELECTRIC TRAILER ASSY.(CONTINUED)

| <u>NO.</u> | <u>PART NO.</u> | <u>PART NAME</u> | <u>QTY.</u> | <u>REMARKS</u> |
|------------|-----------------|---|-------------|--------------------------|
| 39 | 60221 | LOOM, .375 SPLIT | 5..... | 1PC=1FT |
| 40 | 60257 | WIRE, TRAILER, 6 COND. 14GA..... | 19..... | 1PC=1FT |
| 41 | EE44304 | WHEEL ASSY., ST205/75D-14 L/R,"C" | 4 | |
| 42 | EE43253 | HITCH, BALL 2-5/16" (STANDARD)..... | 1..... | CONTACT UNIT SALES DEPT. |
| 43 | 29228 | HITCH, BALL 2" ADJUSTABLE (OPTION)..... | 1..... | CONTACT UNIT SALES DEPT. |
| 44 | 29369 | HITCH, PINTLE 3" ADJUSTABLE, (OPTION) ... | 1..... | CONTACT UNIT SALES DEPT. |
| 45 | EE56638 | HITCH, BULLDOG, 2-5/16" BALL, ADJ. (OPT.) | 1..... | CONTACT UNIT SALES DEPT. |
| 46 | EE57033 | HITCH, BULLDOG, 2" BALL, ADJ. (OPT.)..... | 1..... | CONTACT UNIT SALES DEPT. |
| 47 | 59393 | W/A HITCH ADAPTER SADDLE MOUNT | 1 | |

PARTS MANUAL

HERE'S HOW TO GET HELP

PLEASE HAVE THE MODEL AND SERIAL
NUMBER ON-HAND WHEN CALLING

UNITED STATES

Multiquip Inc.

(310) 537- 3700
6141 Katella Avenue Suite 200
Cypress, CA 90630
E-MAIL: mq@multiquip.com
WEBSITE: www.multiquip.com

CANADA

Multiquip

(450) 625-2244
4110 Industriel Boul.
Laval, Quebec, Canada H7L 6V3
E-MAIL: infocanada@multiquip.com

UNITED KINGDOM

Multiquip (UK) Limited Head Office

0161 339 2223
Unit 2, Northpoint Industrial Estate, Globe Lane,
Dukinfield, Cheshire SK16 4UJ
E-MAIL: sales@multiquip.co.uk

© COPYRIGHT 2025, MULTIQUIP INC.

Multiquip Inc. and the MQ logo are registered trademarks of Multiquip Inc. and may not be used, reproduced, or altered without written permission. All other trademarks are the property of their respective owners and used with permission.

This manual MUST accompany the equipment at all times. This manual is considered a permanent part of the equipment and should remain with the unit if resold.

The information and specifications included in this publication were in effect at the time of approval for printing. Illustrations, descriptions, references and technical data contained in this manual are for guidance only and may not be considered as binding. Multiquip Inc. reserves the right to discontinue or change specifications, design or the information published in this publication at any time without notice and without incurring any obligations.



PN: 59249